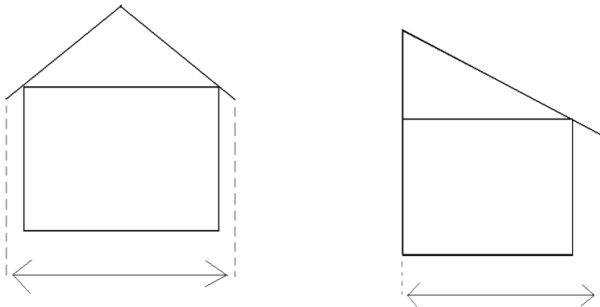


Single Trip Factory Built Home escort requirements for Wisconsin 06/08/2016

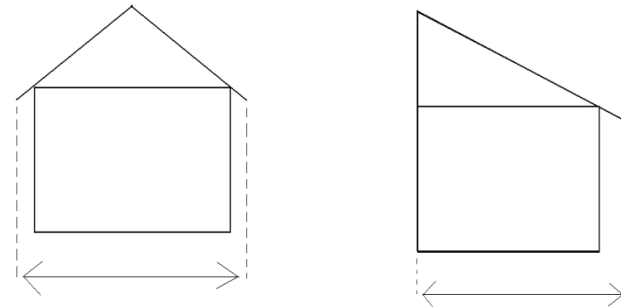
Roof Measured at the bottom of the roof line



12'01" to 16'00"

No Escorts required unless traveling on a highway listed on the Form MV2740 "Escort Highways"

If traveling on escort required Highway then one private escort will be required for that highway only and will be listed on permit along with placement requirements.



16'01" and wider

Private escort(s) required: one behind on divided hways, one ahead and one behind on non-divided hways. *Must have radio communication between all units involved in the move.

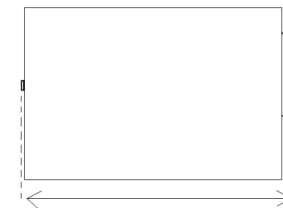
Box Outside to outside ; no exceptions for protrusions



12'01" to 15'00"

No Escorts required unless traveling on a highway listed on the Form MV2740 "Escort Highways"

If traveling on escort required Highway then one private escort will be required for that highway only and will be listed on permit along with placement requirements.



15'01" and wider

Private escort(s) required: one behind on divided hways, one ahead and one behind on non-divided hways. *Must have radio communication between all units involved in the move.

Additional information can be found in Chapter Trans 252 (Escort Vehicles) and Chapter Trans 260 (Single Trip Permits for Mobile Home and Modular Building Sections).