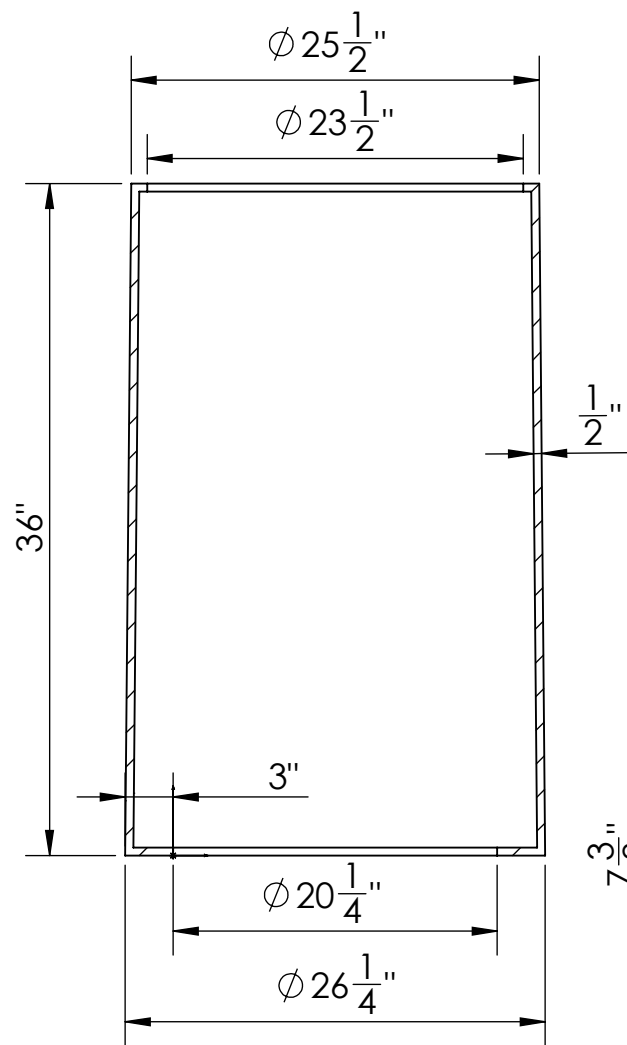
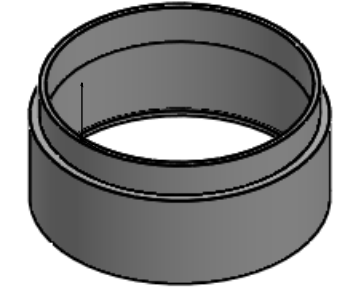
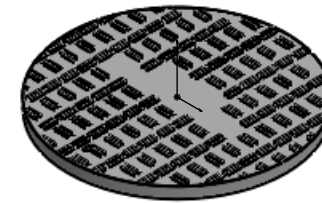
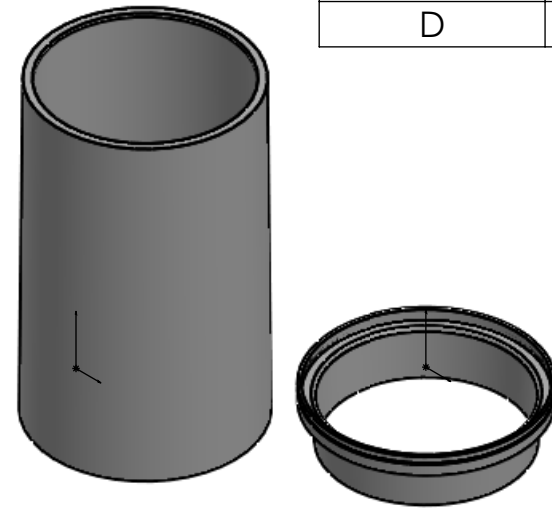
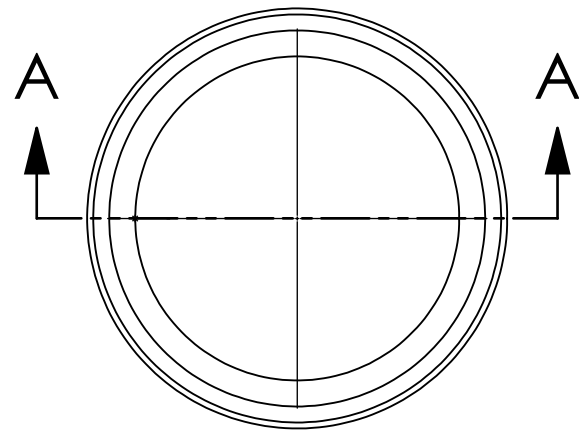
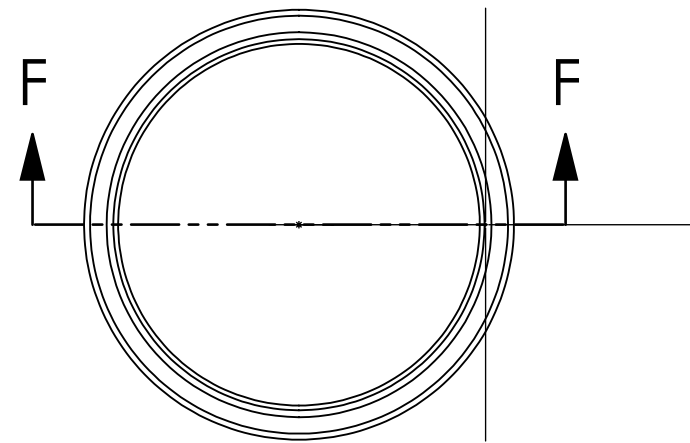


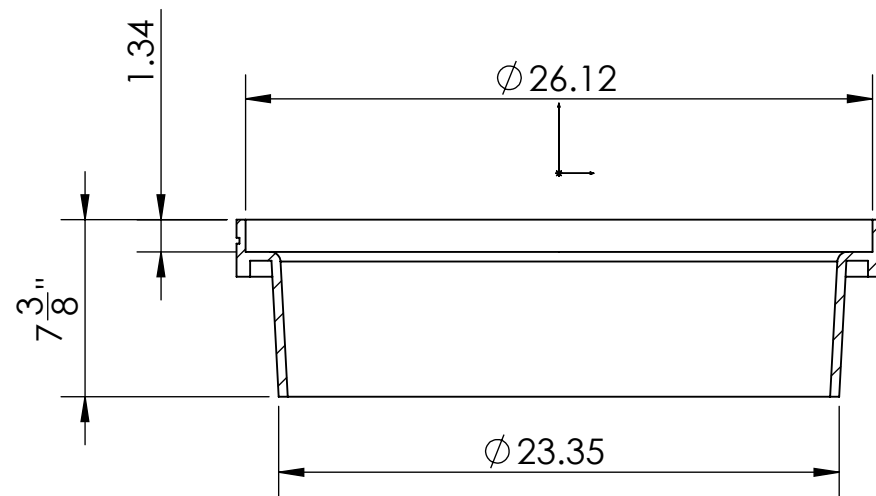
IDX	PART NO.	DESCRIPTION	QTY
AA	2436HD5	LD 36" HDPE HANDHOLE	
B	FRM-PE	26" POLY FRAME	
C	ESS25NC_ELE	25.6" X 1.25" COVER/LID (ELECTRIC)	
D	249HD5	LD 9" HDPE HANDHOLE EXTENSION	



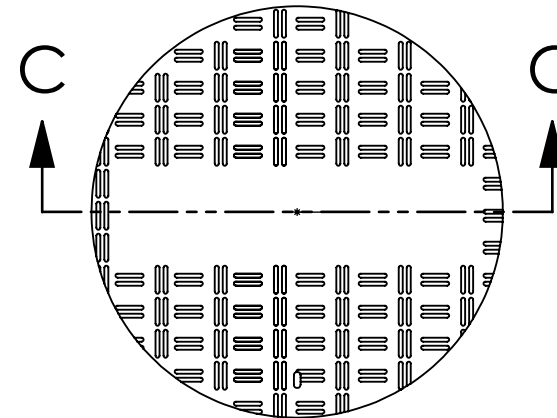
AA - LD 36" HANDHOLE
(2436HD5)



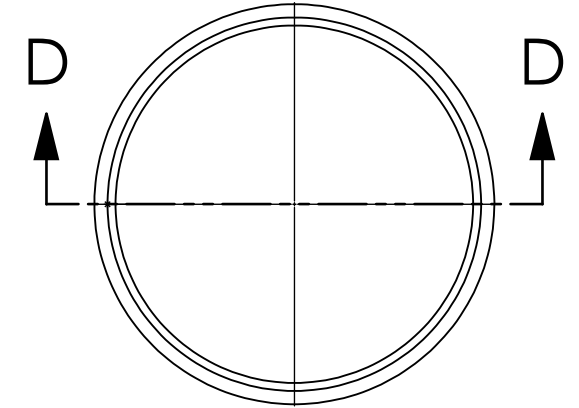
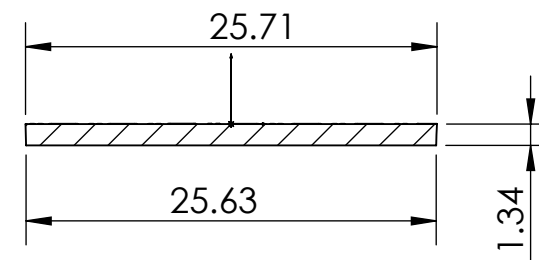
FRM-PE-DL



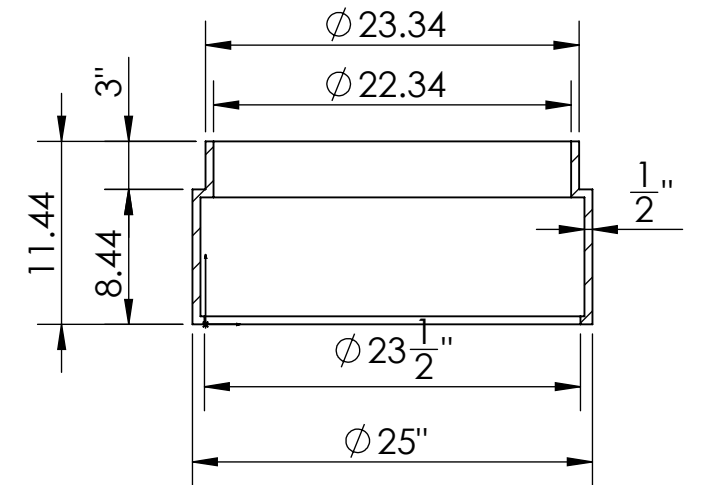
SECTION F-F
SCALE 1 : 8



C - COVER/LID
(ESS25NC_ELE)



D - 9" EXTENSION
(249HD5)



PHONE (763) 478-2027
 FAX (763) 478-8868

JOB: COMPOSITE ELECTRICAL PRODUCT ORDER FORM
LOCATION: MNDOT
CONTRACTOR: ESS BROTHERS
ESS JOB NO: _____

DRAWN BY: DM
CHECKED BY: NGN
REVISION DESCRIPTION: _____
DATE: _____

SHEET NO. 1 OF 1 **DATE DRAWN: 4/3/2019**