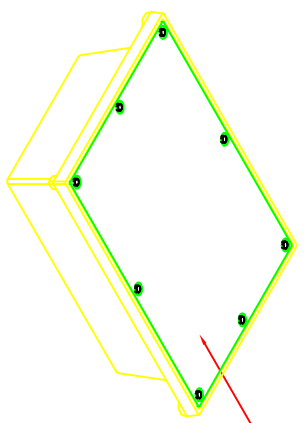
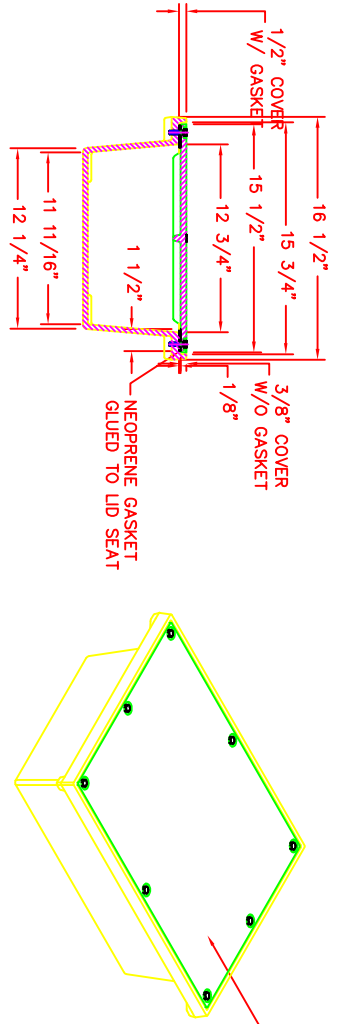
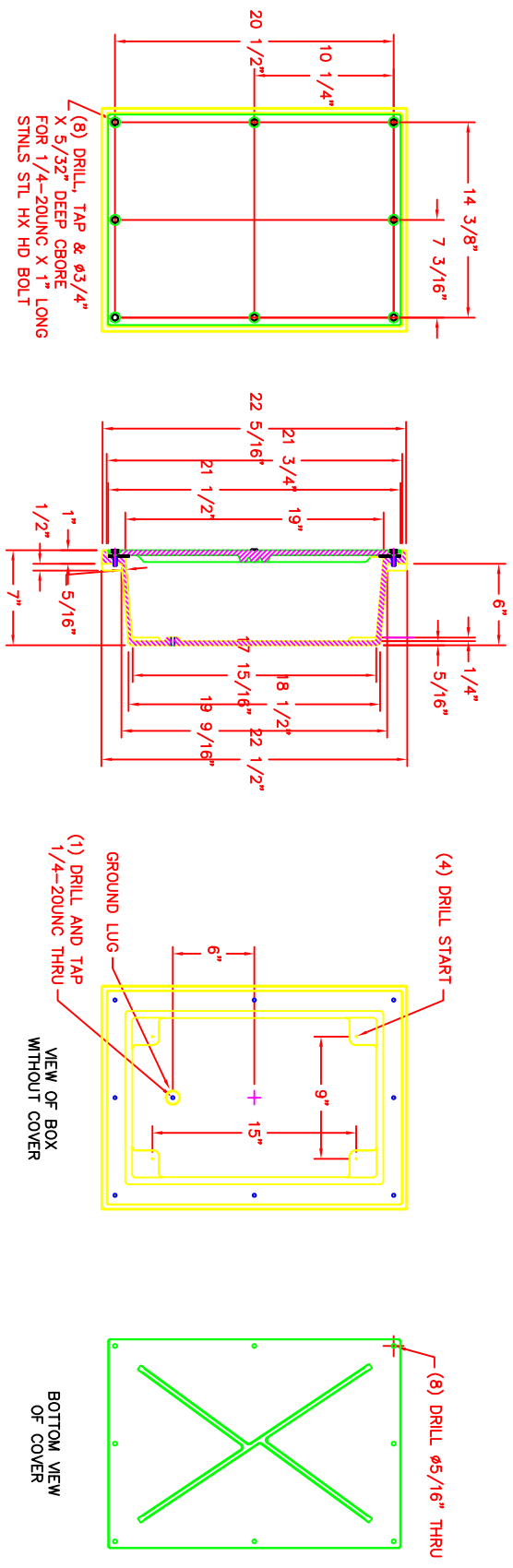


7518 1000-1 B8



COMPONENT NOS.: JUNCTION BOX 7518-0001, LID 7518-0002
 EQUIPMENT NOS.: JUNCTION BOX - D00004436 & K00004436
 LID - D99992854 & K99992853
 MATERIAL: CAST GRAY IRON ASTM A-48, CLASS 30A
 FINISH: GALVANIZED
 WEIGHT: JUNCTION BOX - 69#, LID - 34#

DR.	C. FALK	SCALE	1/8"=1"	TITLE	R-7518-A JUNCTION BOX - SOLID
CHK.	ELN	NEENAH FOUNDRY			
APP.	RKB	NEENAH WISCONSIN 54956 PHONE 800-558-5075 LINCOLN, NEBRASKA 68529 PHONE 800-234-7468			
DATE	07-29-2015	NF-7518 100			
www.nfco.com		B			