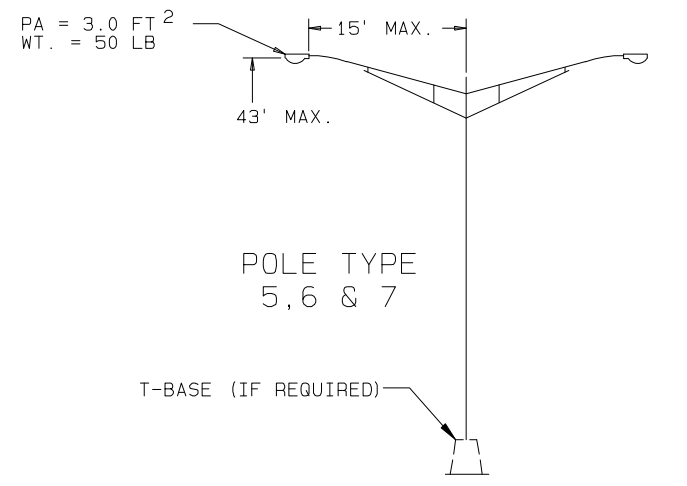
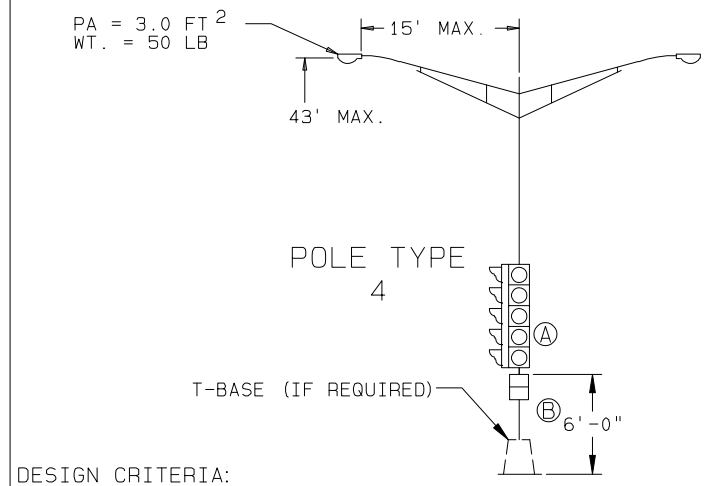


NOTE:
T-BASES IN DETAILS 5 OR 6
ARE OPTIONAL IF REQUIRED.

SEE POLE
DATA

(4) 1.00" ANCHOR BOLTS
TO BE PROVIDED BY OTHERS.

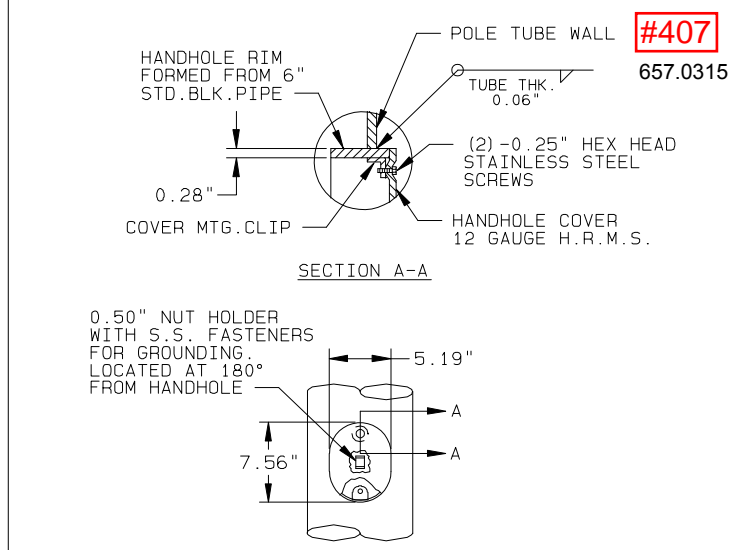


DESIGN CRITERIA:
2001 AASHTO STANDARD SPECIFICATIONS FOR
STRUCTURAL SUPPORTS FOR HIGHWAY SIGNS,
LUMINAIRES, AND TRAFFIC SIGNALS.

DESIGN WIND SPEED = 90 MPH

| DEVICE | DESCRIPTION | PROJ. AREA (FT²) | WEIGHT (LBS) |
|--------|--------------------------------------|------------------|--------------|
| Ⓐ | 2-12"-5 SEC. SIGNALS WITH BACKPLATES | 20.33 | 166 |
| Ⓑ | 2-PEDESTRIAN SIGNALS | 3.00 | 66 |

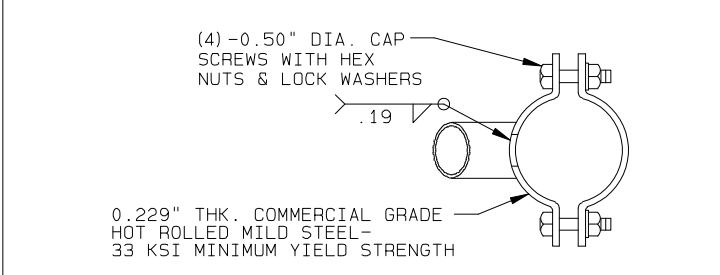
LOADING INFORMATION



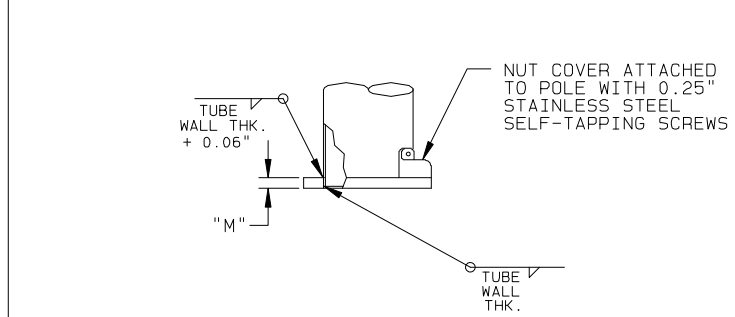
DETAIL 3 HANDHOLE

ALTHOUGH RARE, VIBRATIONS SEVERE ENOUGH TO CAUSE DAMAGE CAN OCCASIONALLY OCCUR IN STRUCTURES OF ALL TYPES. BECAUSE THEY ARE INFLUENCED BY MANY INTERACTING VARIABLES, VIBRATIONS ARE GENERALLY UNPREDICTABLE. THE USER'S MAINTENANCE PROGRAM SHOULD INCLUDE OBSERVATION FOR EXCESSIVE VIBRATION AND EXAMINATION FOR ANY STRUCTURAL DAMAGE OR BOLT LOOSENING. THE VALMONT WARRANTY SPECIFICALLY EXCLUDES FATIGUE FAILURE OR SIMILAR PHENOMENA RESULTING FROM INDUCED VIBRATION, HARMONIC OSCILLATION OR RESONANCE ASSOCIATED WITH MOVEMENT OF AIR CURRENTS AROUND THE PRODUCT.

VIBRATION DISCLAIMER



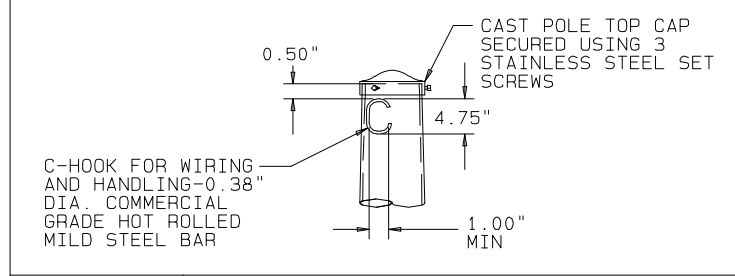
DETAIL 2 LUMINAIRE ARM ATTACHMENT



DETAIL 4 POLE BASE

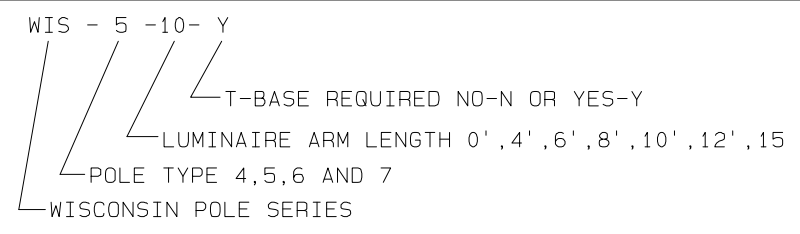
MATERIAL DATA

| COMPONENT | ASTM DESIGNATION | MIN. YIELD (KSI) | COMPONENT | ASTM DESIGNATION | MIN. YIELD (KSI) |
|-------------------------|------------------|------------------|-----------------------|------------------|------------------|
| POLE SHAFT | A595 GR. A | 55 | STRUCTURE GALVANIZING | A123 | |
| BASE PLATE | A36 | 36 | HARDWARE GALVANIZING | A153 | |
| LUM. ARM (TAPERED) | A595 GR. A | 55 | | | |
| LUM. ARM 2" SCH 40 PIPE | A53/A500 | 36 | | | |
| CONN. BOLTS | A325 | 81 | | | |



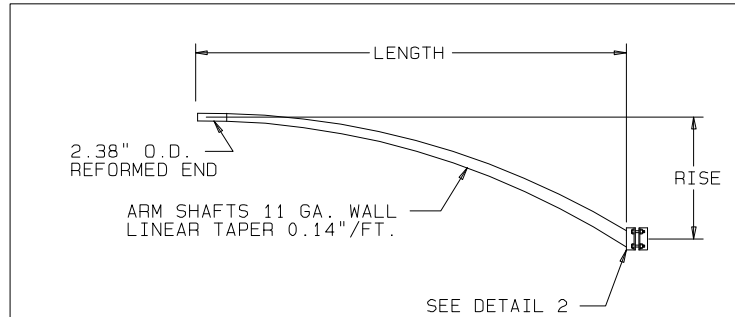
DETAIL 1 POLE TOP

DESIGNATION EXAMPLE



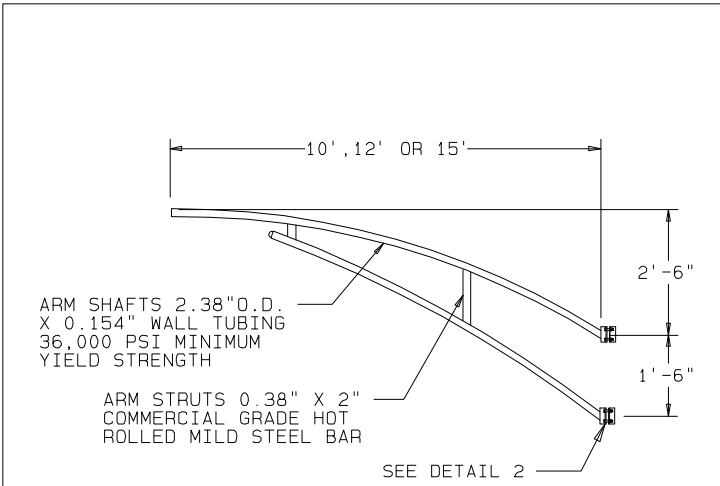
POLE DATA

| POLE TYPE | POLE TUBE | | | | POLE BASE | | | T-BASE (WHEN REQUIRED) | |
|-----------|----------------|---------------|-------------|---------------------|-----------------|----------------------|---------------|------------------------|--------------------|
| | BASE DIA. (IN) | TOP DIA. (IN) | LENGTH (FT) | GAUGE OR THICK (IN) | SQUARE "S" (IN) | BOLT CIRCLE "Y" (IN) | THK. "M" (IN) | TYPE | BOTTOM BOLT CIRCLE |
| 4,5 | 8.00 | 3.80 | 30.00 | 11 | 12.00 | 11.0-12.0 | 1.00 | M104 | 12.00" |
| 6 | 9.00 | 4.10 | 35.00 | 11 | 12.00 | 11.0-12.0 | 1.00 | M104 | 12.00" |
| 7 | 10.00 | 4.40 | 40.00 | 11 | 15.00 | 14.0-16.0 | 1.25 | M098 | 17.25" |



| ARM SCHEDULE | |
|--------------|-------|
| LENGTH | RISE |
| 4'-0" | 2'-0" |
| 6'-0" | 2'-6" |
| 8'-0" | 2'-6" |

DS32 STYLE ARM



DS70 STYLE ARM

| REV | DRAWN BY-DATE | CHECK BY-DATE | DESCRIPTION |
|-----|---------------|---------------|---|
| A | BDS 10/13/05 | REM 10/14/05 | ADDED POLE TYPES 4 THRU 7 & T-BASE INFO |
| | DEF2 05/12/04 | BDS 05/12/04 | |

TITLE STATE OF WISCONSIN
LIGHTING STRUCTURES
POLE TYPE 4,5,6 AND 7

VALMONT INDUSTRIES, INC. RESERVES THE RIGHT TO INSTALL VARIOUS, ENGINEER APPROVED, MATERIAL HANGING ACCOMMODATIONS TO FACILITATE THE MANUFACTURING PROCESS.

valmont
Valley, NE 68064
(402) 359-2201

PAGE NUMBER: 1 OF 2
DRAWING NUMBER: DB00677
REV: A

