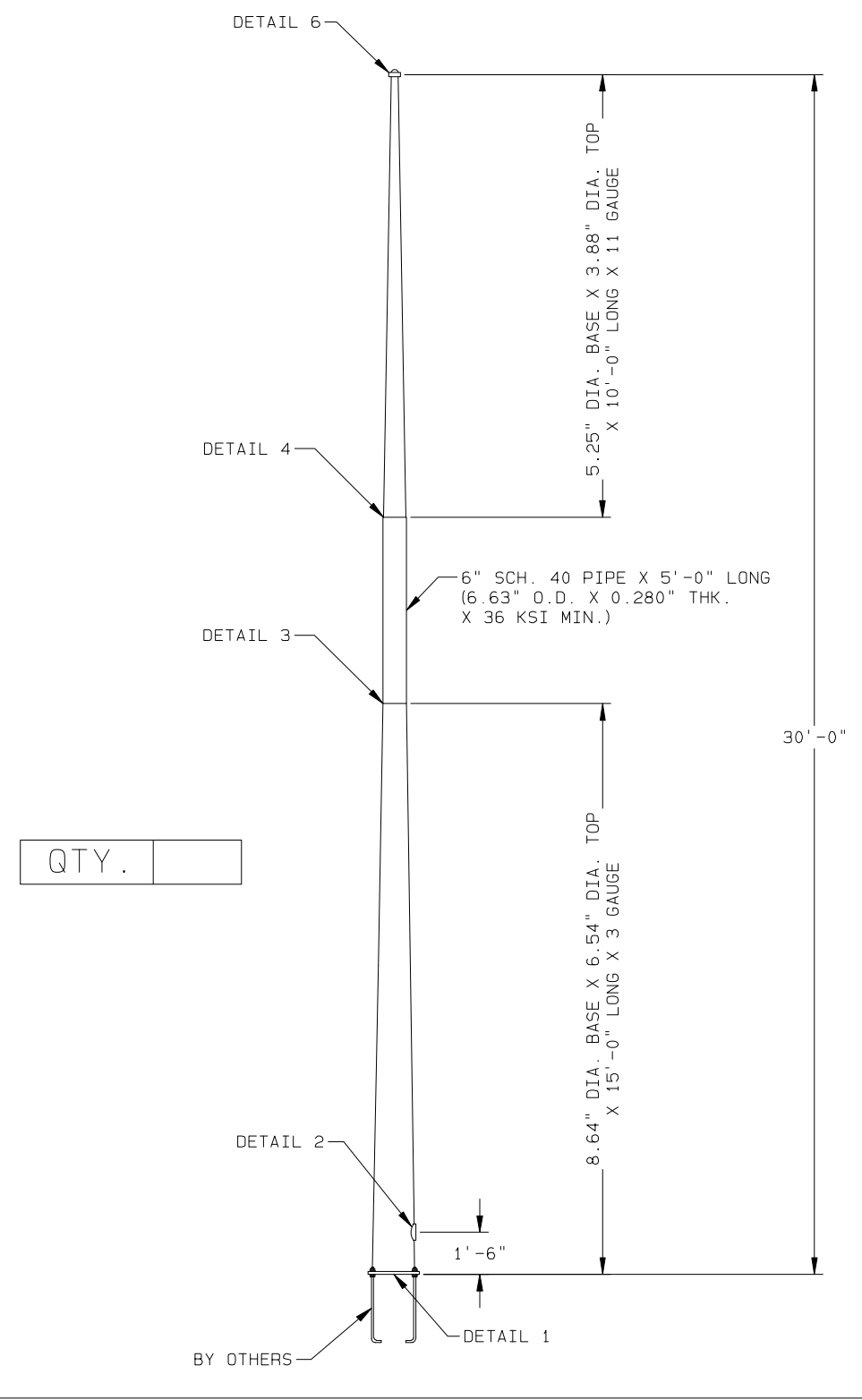
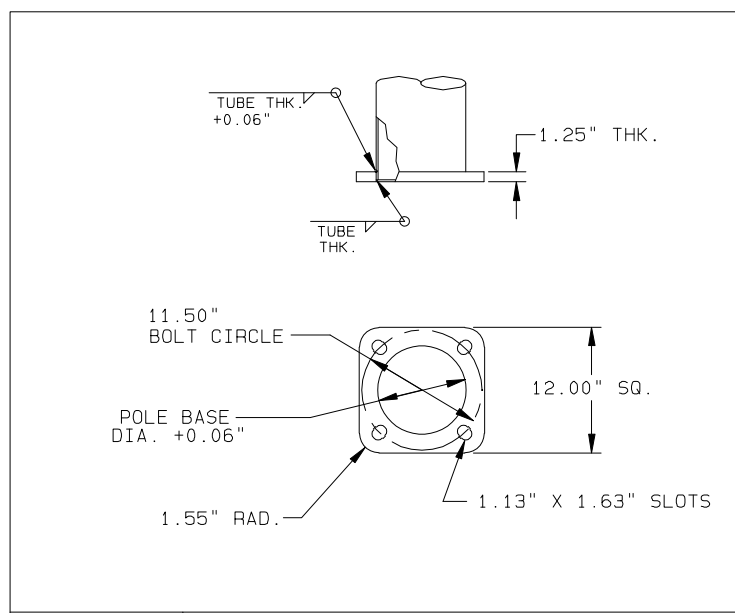
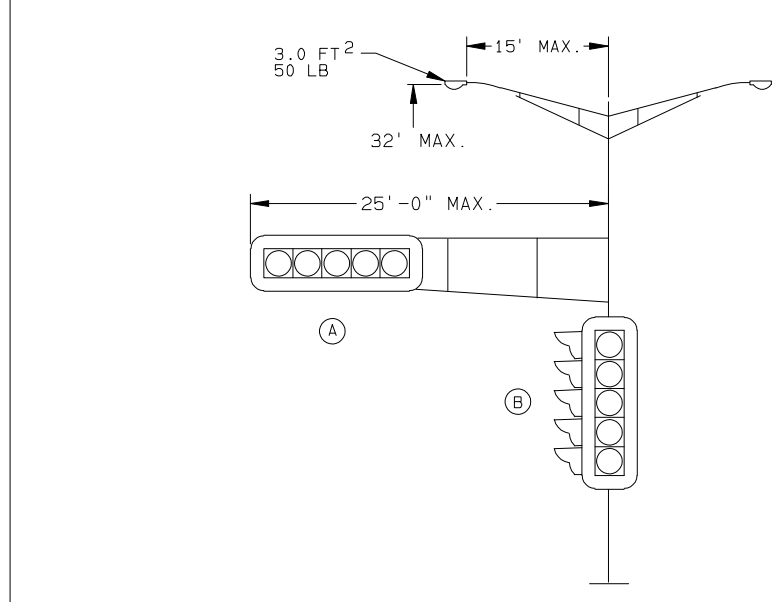


DESIGN CRITERIA:  
 DESIGNED & MANUFACTURED IN ACCORDANCE WITH THE AASHTO 2001 SPECIFICATION USING AN 80 MPH WIND SPEED BY THE FASTEST MILE WIND SPEED DEFINITION. STRUCTURE IS NOT DESIGNED FOR FATIGUE LOADS AS SPECIFIED IN SECTION 11 OF THE AASHTO "STANDARD SPECIFICATIONS FOR STRUCTURAL SUPPORTS FOR HIGHWAY SIGNS, LUMINAIRES AND TRAFFIC SIGNALS" AND LATEST INTERIMS.

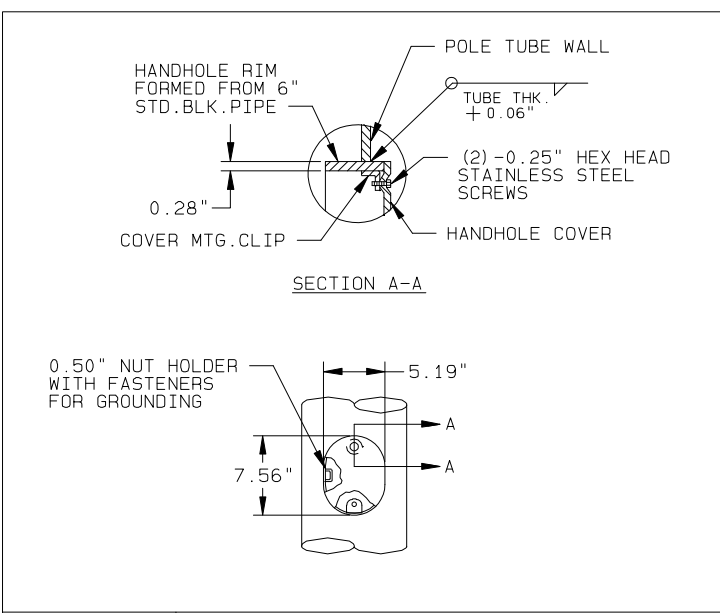
DEVICE	DESCRIPTION	PROJ. AREA (SQ. FT.)	WEIGHT (LBS)
(A)	12"-5 SECT. SIGNAL WITH BACKPLATES	13.33	125
(B)	12"-5 SECT. SIGNAL WITH BACKPLATES	20.00	250



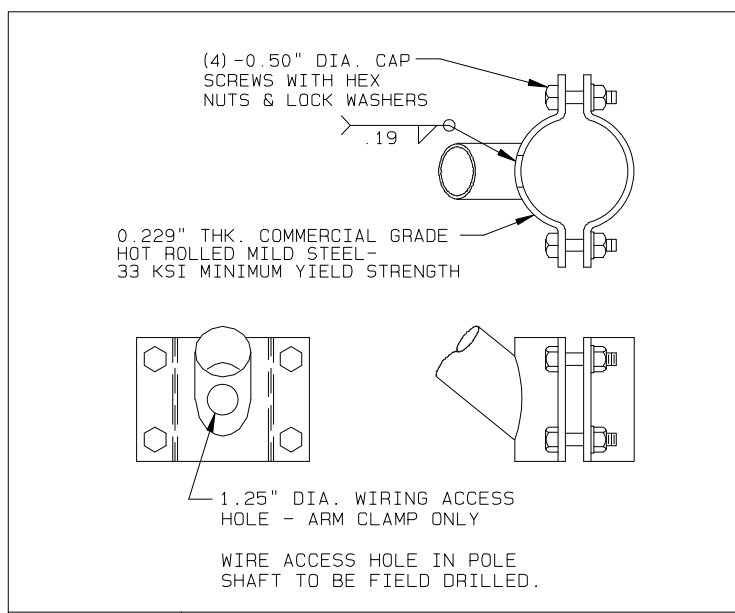
QTY.	
------	--



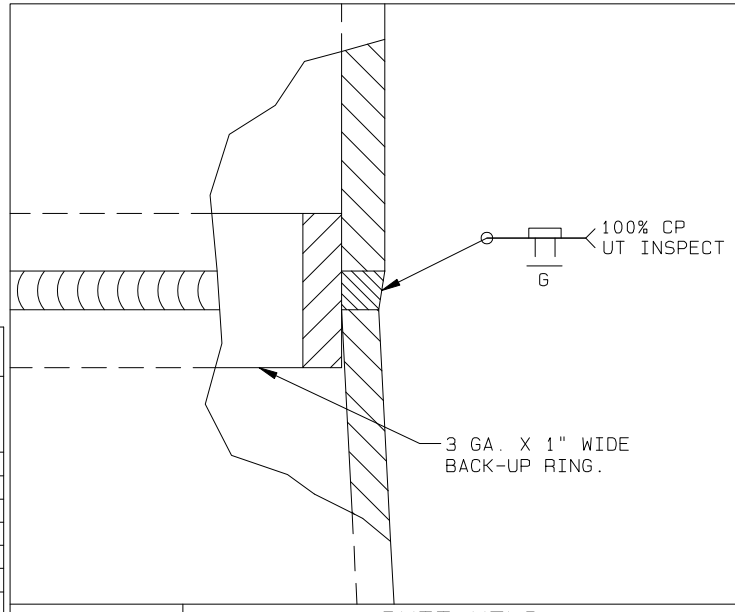
DETAIL 1 POLE BASE



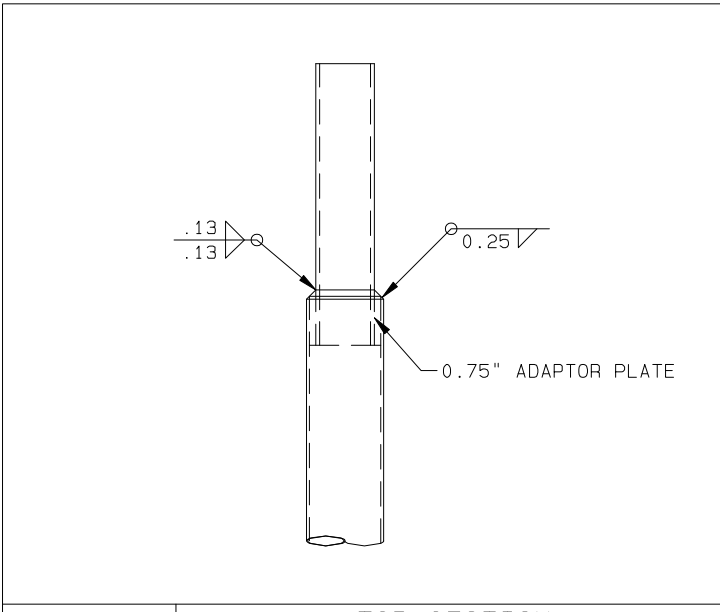
DETAIL 2 HANDHOLE



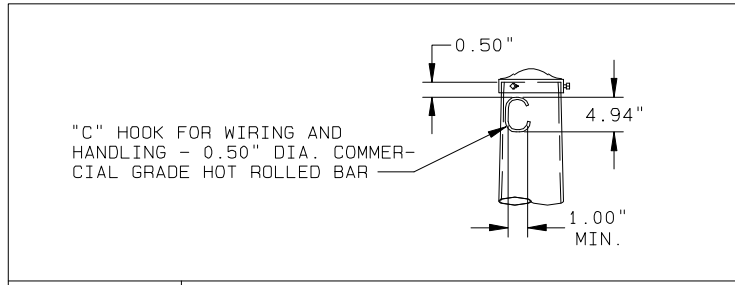
DETAIL 5 LUMINAIRE ARM ATTACHMENT



DETAIL 3 BUTT-WELD



DETAIL 4 TOP SECTION



DETAIL 6 POLE TOP

MATERIAL DATA					
COMPONENT	ASTM DESIGNATION	MIN. YIELD (KSI)	COMPONENT	ASTM DESIGNATION	MIN. YIELD (KSI)
TUBE-11 & 3 GA.	A595 GR. A	55	ADAPTOR PLATE	A36	36
POLE BASE	A36	36	ARM ATTACHMENT	A36	36
DS32 LUMINAIRE ARM	A595 GR. A	55	ARM CONNECTING BOLTS	A307*	
DS70 LUMINAIRE ARM	2" SCHED. 40				
GALVANIZING	A123 & A153				
*LUBRICATE IN THE FIELD IF NECESSARY.					

ALTHOUGH RARE, VIBRATIONS SEVERE ENOUGH TO CAUSE DAMAGE CAN OCCASIONALLY OCCUR IN STRUCTURES OF ALL TYPES. BECAUSE THEY ARE INFLUENCED BY MANY INTERACTING VARIABLES, VIBRATIONS ARE GENERALLY UNPREDICTABLE. THE USER'S MAINTENANCE PROGRAM SHOULD INCLUDE OBSERVATION FOR EXCESSIVE VIBRATION AND EXAMINATION FOR ANY STRUCTURAL DAMAGE OR BOLT LOOSENING. THE VALMONT WARRANTY SPECIFICALLY EXCLUDES FATIGUE FAILURE OR SIMILAR PHENOMENA RESULTING FROM INDUCED VIBRATION, HARMONIC OSCILLATION OR RESONANCE ASSOCIATED WITH MOVEMENT OF AIR CURRENTS AROUND THE PRODUCT.

VIBRATION DISCLAIMER

REV	DATE	BY	CHK	DESCRIPTION
D	08/12/09	GGL	GGL	DEL APPENDIX C FROM DESIGN CRITERIA NOTES
C	11/11/08	GGL	GGL	REVISED AASHTO DESIGN NOTE
B	09/20/06	MAW	MAW	POLE BASE SQ. WAS 13", UPDATED TO ACAD.
A	03/19/91	TC	TC	ADDED CLAMP DETAIL AND LUMINAIRES.
	03/07/91	TC	TC	

TITLE TRAFFIC SIGNAL STRUCTURES  
 STATE OF WISCONSIN  
 TYPE 3 POLES

VALMONT INDUSTRIES, INC. RESERVES THE RIGHT TO INSTALL VARIOUS, ENGINEER APPROVED, MATERIAL HANGING ACCOMMODATIONS TO FACILITATE THE MANUFACTURING PROCESS.

**valmont**  
 Valley, NE 68064  
 (402) 359-2201

PAGE NUMBER: 1 OF 2	REV
DRAWING NUMBER	
DB00238	D