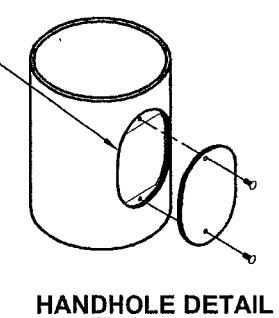
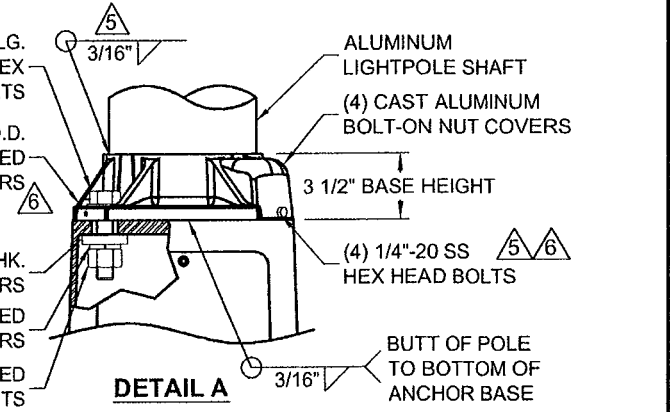
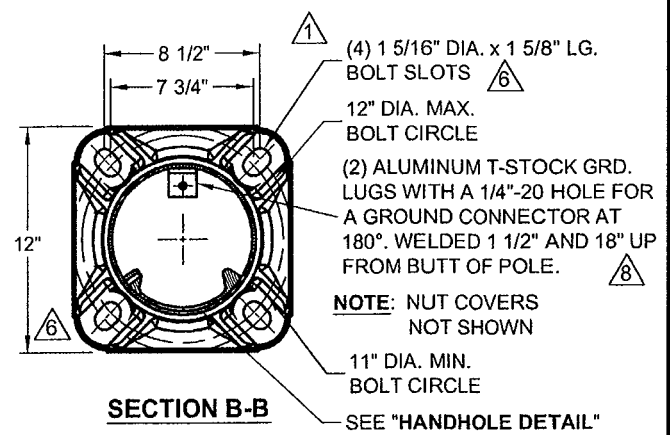


J-HOOK MOUNTING DETAIL



ALUMINUM HANDHOLE WITH A 4" x 6" FLUSH FITTING ALUMINUM DOOR ATTACHED WITH (2) 1/4"-20 x 1/2" LG. S.S. HEX HEAD BOLTS. WITH TAPPED 5/16"-18 HOLE IN EXTRUSION FOR A GROUND CONNECTOR.

POLE RATING (PER AASHTO 2001):
 3-SEC GUST WIND SPEED: 90 MPH MAX
 EPA (LUMINAIRE): 1.5 SQ. FT. MAX
 WEIGHT (LUMINAIRE): 50 LBS MAX
 DESIGN LIFE 50 YEARS

NOTE: ALL STAINLESS STEEL HARDWARE TO BE COATED WITH ANTI-SEIZE COMPOUND BY CONTRACTOR IF REQUIRED

DO NOT SCALE

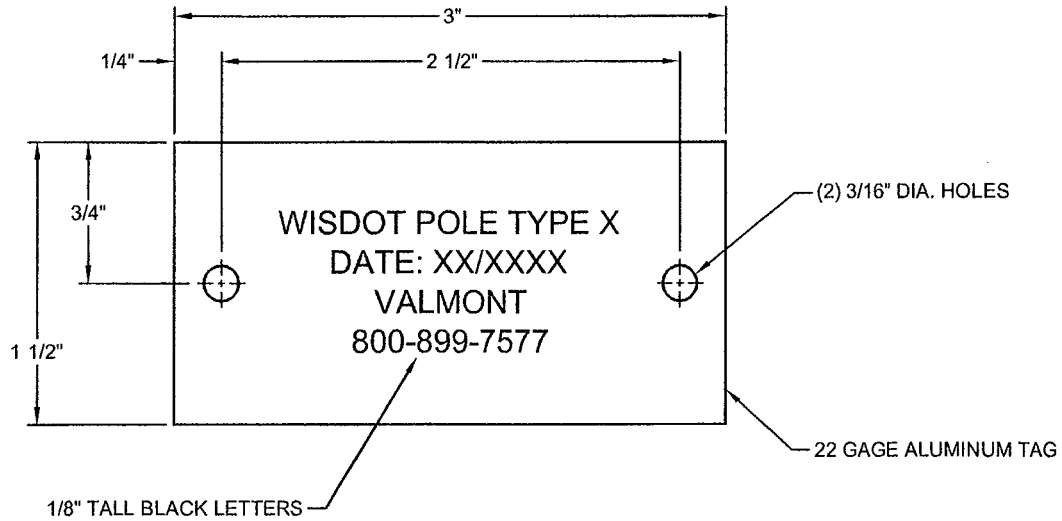


Valmont Industries, Inc. Structures Division
 20805 Eaton Ave Farmington, Minnesota 55024-7932
 Phone: (651) 463-8990 (800) 899-7577
 Fax: (651) 463-3349

TITLE:	S	TYPE 5 TRANSFORMER BASE LIGHTPOLES	QTY:	-
MODEL NO.:	300045806T4E		DWN BY:	BMS
MATERIAL:	ALUMINUM ALLOY		CHK'D BY:	
FINISH:	100 GRIT SATIN POLISH		APPR BY:	JPB
PROJECT:	WISDOT		DATE:	12/12/05
SOLD TO:			DWG NO.:	DR1154
SHIP TO:			PAGE:	
P.O. NO.:			BY:	1 / 25
REP:				

****CONFIDENTIAL****
 The information contained in this drawing is privileged and confidential, and may be protected from disclosure. Please be aware that any use or dissemination of this drawing may be subject to legal restriction or sanction.

REV	DATE	REVISION DESCRIPTION	CEN	
10	01-31-14	CHG'D WASHER DIM.		
9	08-29-13	REMOVED EXTRA NUT COVER NOTE		
8	04-05-13	ADDED NOTE TO G-LUG		




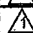
DO NOT SCALE

valmont 

Valmont Industries, Inc. Structures Division
20805 Eaton Ave Farmington, Minnesota 55024-7932
Phone: (651) 463-8990 (800) 899-7577
Fax: (651) 463-3349

****CONFIDENTIAL****

The information contained in this drawing is privileged and confidential, and may be protected from disclosure. Please be aware that any use or dissemination of this drawing may be subject to legal restriction or sanction.

TITLE: S WISDOT ID TAG		QTY: -
MODEL NO.:		OWN BY: SLF
MATERIAL: ALUMINUM ALLOY		CHK'D BY:
FINISH:		APPR BY: <i>CEW</i>
PROJECT: WISDOT		DATE: 03/12/10
SOLD TO:		DWG NO: DR1154
SHIP TO:		PAGE: 25 / 25
P.O. NO:		
REP:		
	01-31-13	REMOVED NOTE
	03/10/11	CHANGED PAGE NUMBERING
REV	DATE	REVISION DESCRIPTION
		BY