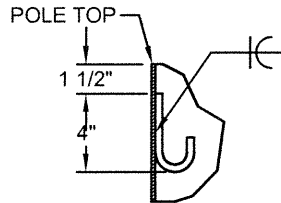
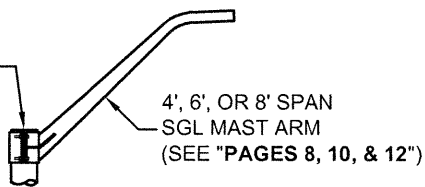
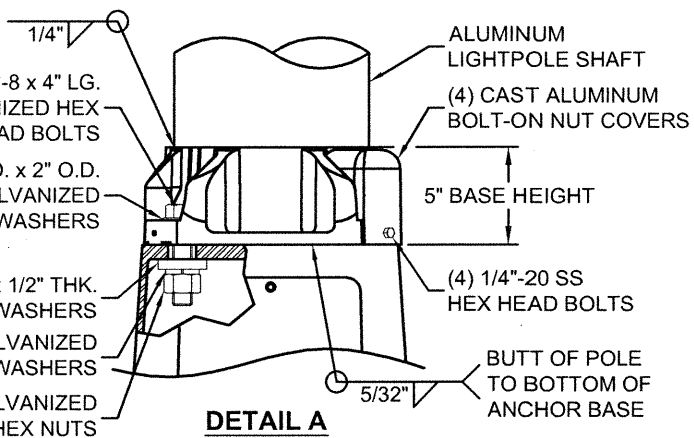
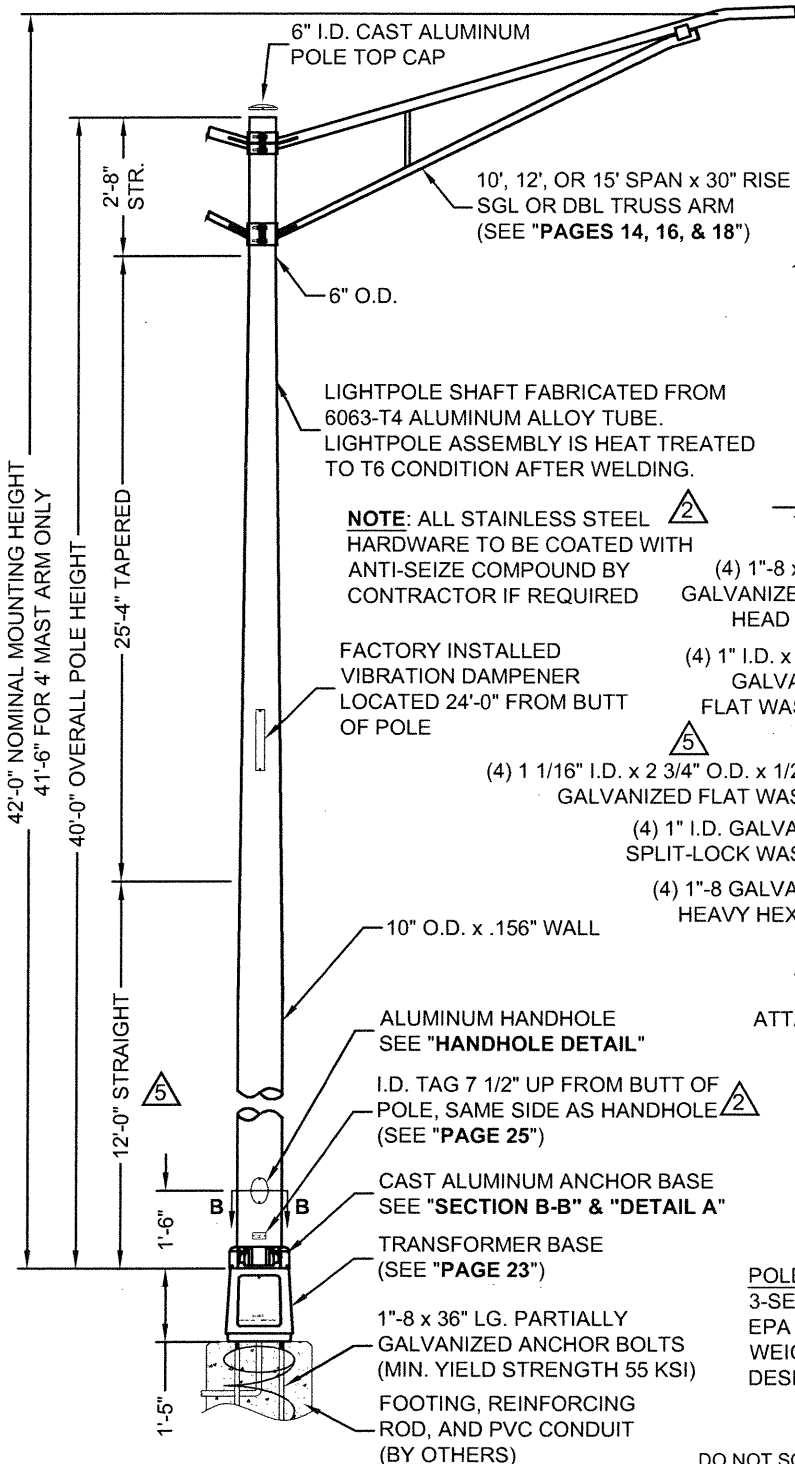
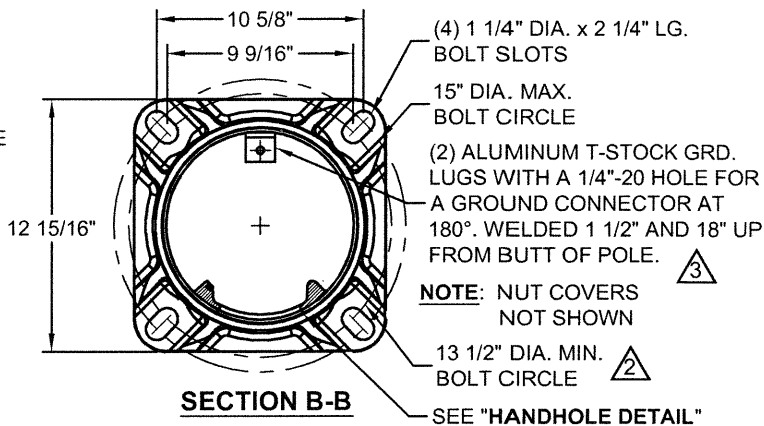


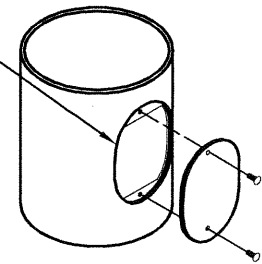
SEE "J-HOOK MOUNTING DETAIL"



J-HOOK MOUNTING DETAIL ^{△6}



ALUMINUM HANDHOLE WITH A 4" x 6" FLUSH FITTING ALUMINUM DOOR ATTACHED WITH (2) 1/4"-20 x 3/4" LG. S.S. HEX HEAD BOLTS. WITH TAPPED 5/16"-18 HOLE IN EXTRUSION FOR A GROUND CONNECTOR. ^{△7}



HANDHOLE DETAIL

POLE RATING (PER AASHTO 2013): ^{△7}
 3-SEC GUST WIND SPEED: 90 MPH MAX
 EPA (LUMINAIRE): 1.5 SQ. FT. MAX
 WEIGHT (LUMINAIRE): 50 LBS MAX
 DESIGN LIFE 50 YEARS

CONTACT VALMONT IF PEDESTRIAN PUSH BUTTON IS REQUIRED FOR POLE APPLICATION ^{△7}

DO NOT SCALE



Valmont Industries, Inc. Structures Division
 20805 Eaton Ave Farmington, Minnesota 55024-7932
 Phone: (651) 463-8990 (800) 899-7577
 Fax: (651) 463-3349

****CONFIDENTIAL****

The information contained in this drawing is privileged and confidential, and may be protected from disclosure. Please be aware that any use or dissemination of this drawing may be subject to legal restriction or sanction.

TITLE: S TYPE 17 TRANSFORMER BASE LIGHTPOLES		QTY: -
MODEL NO.: 400060105T4G		DWN BY: SLF
MATERIAL: ALUMINUM ALLOY		CHK'D BY:
FINISH: 100 GRIT SATIN POLISH		
PROJECT: WISDOT		APPR BY: CEW
SOLD TO:		DATE: 03/10/11
SHIP TO:		
P.O. NO.:		
REP:		
[△] 01-22-15	REV'D NOTES; ADDED NOTE; REV'D ARM	KPS DWG NO: DR1154
[△] 08-22-14	REVISED J-HOOK DETAIL	KPS
[△] 01-31-14	CHG'D WASHER & TAPER DIM.	CEN PAGE:
REV	DATE	REVISION DESCRIPTION
		BY 4 / 25