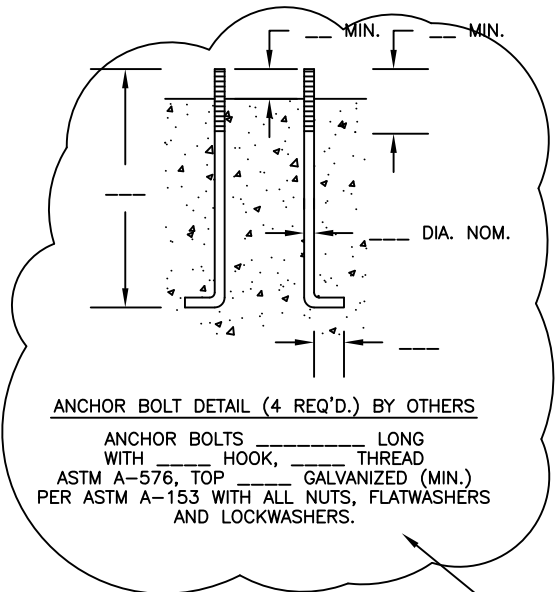


◇ — SCHEDULE — ◇

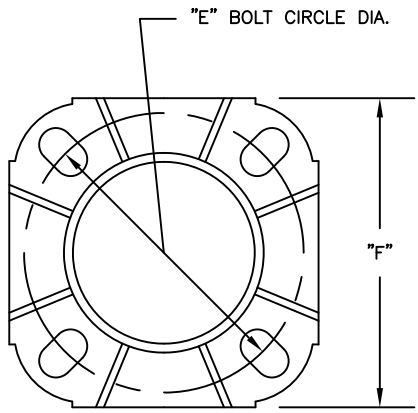
CATALOG #	QTY	A	B	C	D	E	F
FPFLS10647.6E-DC-TYPE A		10"	6"	.312"	47'-6"	15"	14"
REFERENCE: WISDOT - TYPE A ALUMINUM POLE							

"SPUN TAPERED ALUMINUM LIGHTING STANDARD - WISDOT TYPE A"

SPUN TAPERED ALUMINUM SHAFT ALLOY 6063-T6  
 "A" BOTTOM DIA., "B" TOP DIA., "C" WALL TH'K. (LOWER SECTION)  
 "D" OVERALL LENGTH, MECH. ROTARY SANDED 60 GRIT  
 WITH TELESCOPING FIELD SLIP JOINT SECURED BY 5/8"-11UNC BOLTS



ANCHOR BOLT DETAIL (4 REQ'D.) BY OTHERS  
 ANCHOR BOLTS \_\_\_\_\_ LONG  
 WITH \_\_\_\_\_ HOOK, \_\_\_\_\_ THREAD  
 ASTM A-576, TOP \_\_\_\_\_ GALVANIZED (MIN.)  
 PER ASTM A-153 WITH ALL NUTS, FLATWASHERS  
 AND LOCKWASHERS.



CAST ALUMINUM SHOEBASE  
 ALLOY 356-T6  
 WITH 4 CAST ALUMINUM BOLT COVERS  
 WITH ST. ST'L. ATTACHMENT SCREWS  
 AND LABELING PER WISDOT SPEC.

4" x 8" NOMINAL, REINFORCED, FLUSH  
 HANDHOLE WITH COVER, ST. ST'L. ATTACHMENT  
 SCREWS AND GROUND PROVISION.  
 OPPOSITE HANDHOLE - WELDED CLIP ANGLE  
 WITH TAPPED HOLE PER WISDOT SPEC - 1/4-20 NC

ANCHOR BOLTS NOT INCLUDED (BY OTHERS)

NOTE: HANDHOLE SHALL FACE AWAY FROM TRAFFIC

WISDOT "TYPE A" POLE

CAST ALUMINUM SHOEBASE WITH CIRCUMFERENTIAL WELDS BOTH INSIDE AND OUT

REVISIONS		
NO.	DATE	BY
1		
2		
3		
4		
5		

ALUMINUM LIGHT STANDARDS  
 TUBULAR METAL PRODUCTS

95 GNARLED HOLLOW RD.  
 EAST SETAUKET, N.Y.  
 11733

TUBULAR PRODUCTS, INC.

PROJECT: WISCONSIN DOT		DIST:	
CONTRACTOR:		AGENT: JIM HERRD	
DRAWN BY SAF	DATE 03/27/17	MATERIAL AS NOTED	
CHK'D	APP'D	DRAWING NO. 14199	
SCALE NONE	WORK ORDER #		