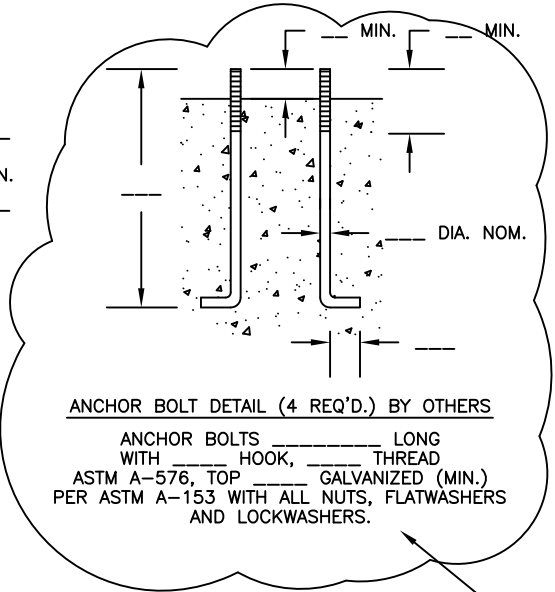


◇ — SCHEDULE — ◇

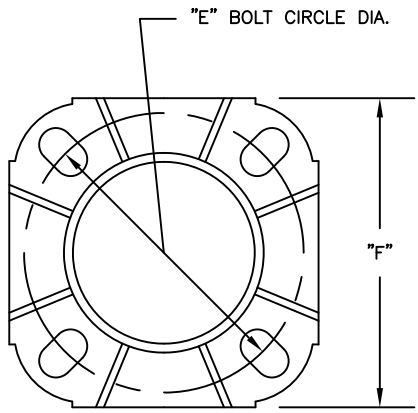
CATALOG #	QTY	A	B	C	D	E	F
FPFLS10649F-DC-TYPE E		10"	6"	.375"	49'-0"	15"	14"
REFERENCE: WISDOT - TYPE E ALUMINUM POLE							

"SPUN TAPERED ALUMINUM LIGHTING STANDARD - WISDOT TYPE E"

SPUN TAPERED ALUMINUM SHAFT ALLOY 6063-T6
 "A" BOTTOM DIA., "B" TOP DIA., "C" WALL TH'K. (LOWER SECTION)
 "D" OVERALL LENGTH, MECH. ROTARY SANDED 60 GRIT
 WITH TELESCOPING FIELD SLIP JOINT SECURED BY 5/8"-11UNC BOLTS



ANCHOR BOLT DETAIL (4 REQ'D.) BY OTHERS
 ANCHOR BOLTS _____ LONG
 WITH _____ HOOK, _____ THREAD
 ASTM A-576, TOP _____ GALVANIZED (MIN.)
 PER ASTM A-153 WITH ALL NUTS, FLATWASHERS
 AND LOCKWASHERS.



CAST ALUMINUM SHOEBASE
 ALLOY 356-T6
 WITH 4 CAST ALUMINUM BOLT COVERS
 WITH ST. ST'L. ATTACHMENT SCREWS
 AND LABELING PER WISDOT SPEC.

ANCHOR BOLTS NOT INCLUDED (BY OTHERS)


4" x 8" NOMINAL, REINFORCED, FLUSH
 HANDHOLE WITH COVER, ST. ST'L. ATTACHMENT
 SCREWS AND GROUND PROVISION.
 OPPOSITE HANDHOLE - WELDED CLIP ANGLE
 WITH TAPPED HOLE PER WISDOT SPEC - 1/4-20 NC

NOTE: HANDHOLE SHALL FACE AWAY FROM TRAFFIC

WISDOT "TYPE E" POLE


CAST ALUMINUM SHOEBASE WITH CIRCUMFERENTIAL WELDS BOTH INSIDE AND OUT

REVISIONS		
NO.	DATE	BY
1		
2		
3		
4		
5		



ALUMINUM LIGHT STANDARDS
TUBULAR METAL PRODUCTS

95 GNARLED HOLLOW RD.
EAST SETAUKET, N.Y.
11733



TUBULAR PRODUCTS, INC.

PROJECT: WISCONSIN DOT		DIST:	
CONTRACTOR:		AGENT: JIM HERRO	
DRAWN BY SAF	DATE 03/27/17	MATERIAL AS NOTED	
CHK'D	APP'D	DRAWING NO. 14200	
SCALE NONE	WORK ORDER #		