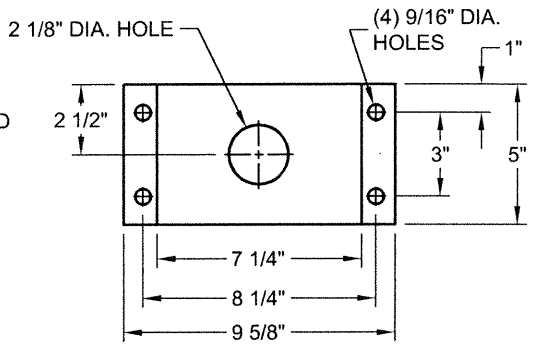
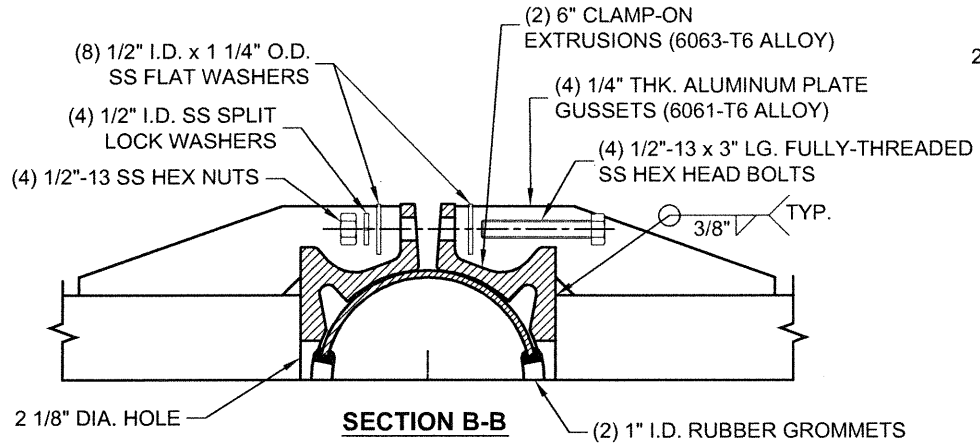
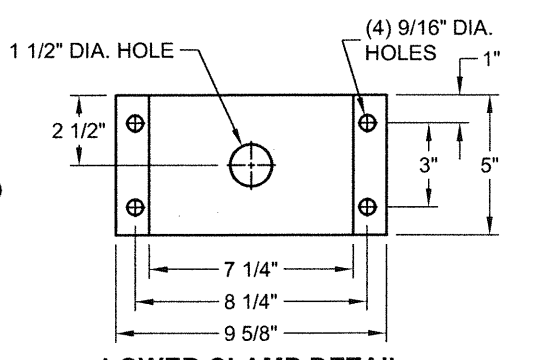


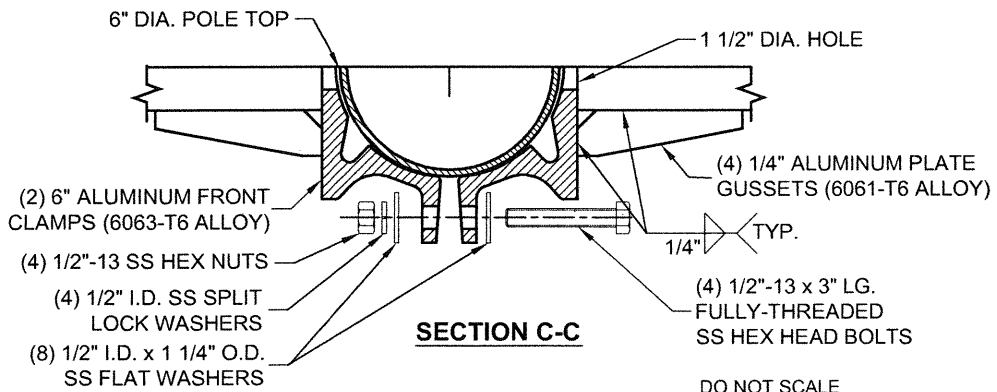
POLE TOP DRILLING DETAIL



LOWER CLAMP DETAIL



SECTION B-B



SECTION C-C

DO NOT SCALE

Valmont Industries, Inc. Structures Division
 20805 Eaton Ave Farmington, Minnesota 55024-7932
 Phone: (651) 463-8990 (800) 899-7577
 Fax: (651) 463-3349

TITLE: S TRUSS SGL/DBL (A) 15' x 30" x 3.5 x 6.0 CL F. S.		QTY: -
MODEL NO.: (1) OR (2) TA1530C60ZA		DWN BY: SLF
MATERIAL: ALUMINUM ALLOY		CHK'D BY:
FINISH: 100 GRIT SATIN POLISH		
PROJECT: SOLD TO: WISDOT		APPR BY: CEN
SHIP TO:		DATE: 03/10/11
P.O. NO:		
REP:		DWG NO: DR1154

****CONFIDENTIAL****
 The information contained in this drawing is privileged and confidential, and may be protected from disclosure. Please be aware that any use or dissemination of this drawing may be subject to legal restriction or sanction.

REV	DATE	REVISION DESCRIPTION	BY
$\triangle 1$	01-20-15	CH'D ARM RISE DEGREE TO 3°; ADDED NOTE	KPS
$\triangle 2$	01-22-13	ADDED GUSSETS, ADDED NOTES	PVB
			PAGE: 18 / 25