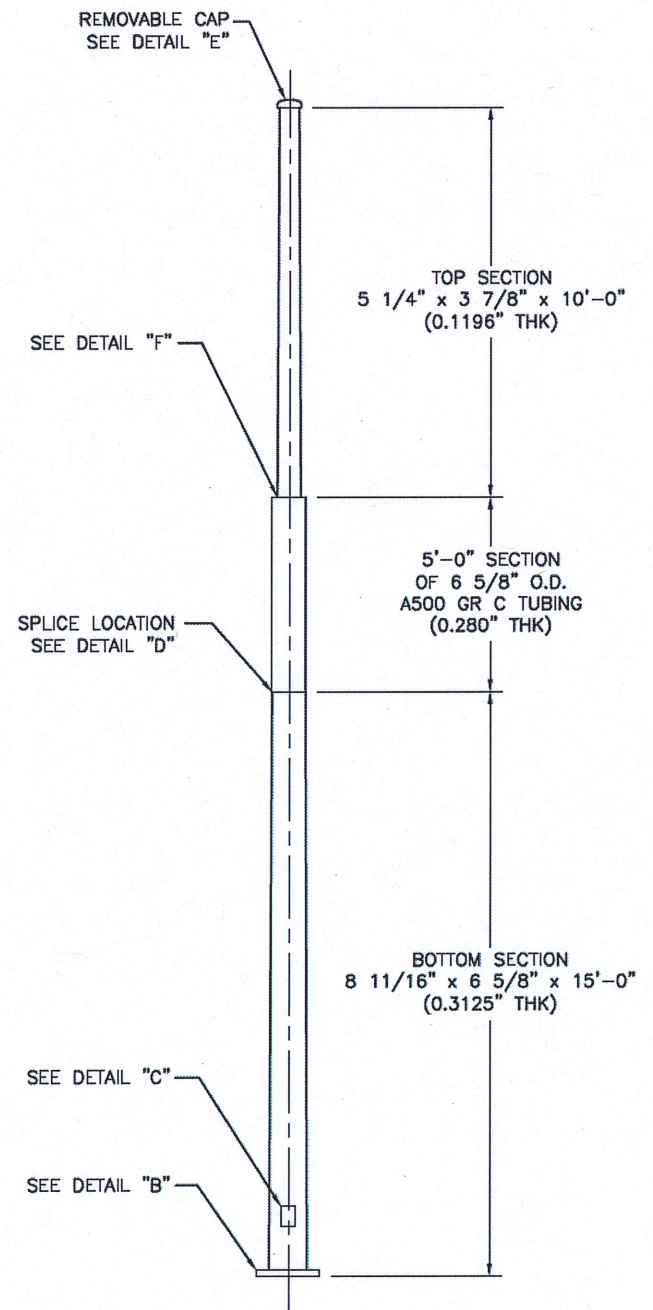
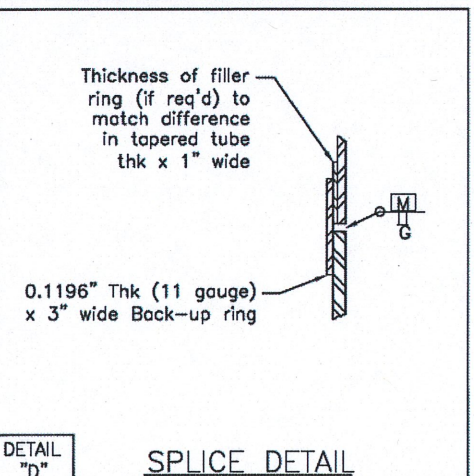
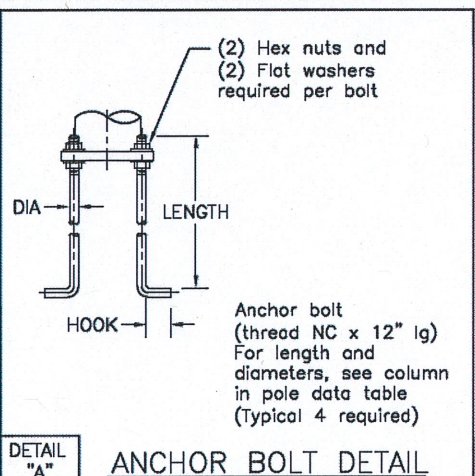
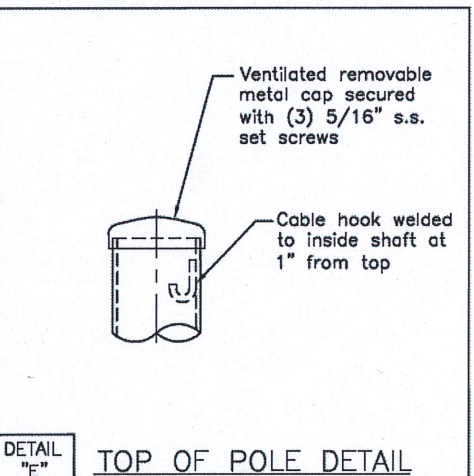
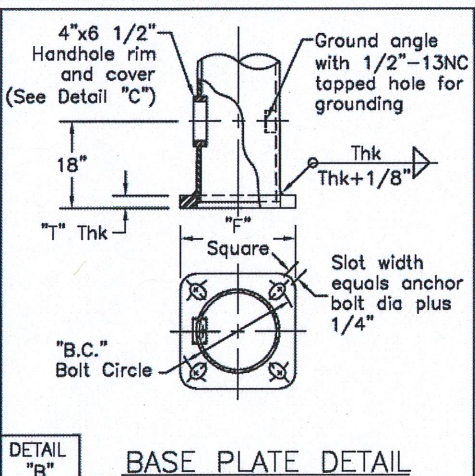
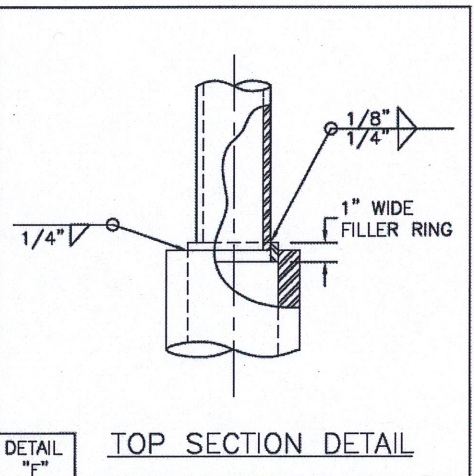
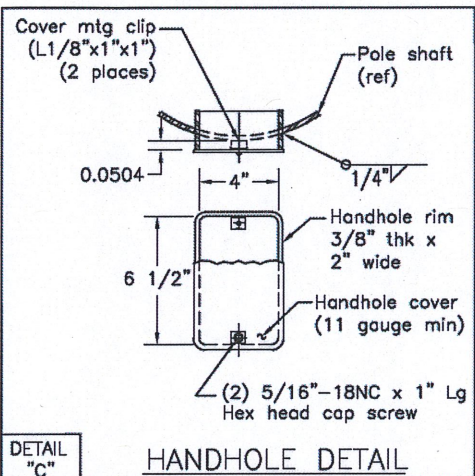


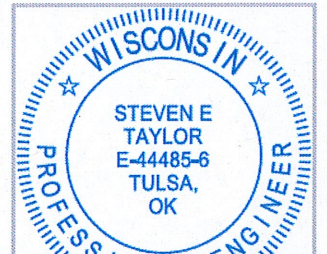
QTY	POLE DATA									BASE PLATE DATA			ANCHOR BOLT DATA			
	POLE DESCRIPTION	LENGTH	BASE O.D.	TOP O.D.	MATERIAL BREAKDOWN					SQUARE "F"	BOLT CIRCLE "B.C."	THK "T"	QTY	DIA	LENGTH	HOOK
					0.1196"	0.1793"	0.2391"	0.3125"	0.280" [*]							
	TYPE 3-30	30'-0"	8 11/16"	3 7/8"	10'-0"	-	-	15'-0"	5'-0"	12"	11 1/2"	1 1/2"	4	1"	60"	4"

[\*] 6 5/8" O.D. - A500 GR C TUBING (0.280" WALL) WITH 46 KSI MIN YIELD



-- GENERAL NOTES --	
MATERIAL SPECIFICATIONS	
SHAFT	ASTM A595 Gr A or ASTM A572 (55 ksi minimum yield after fabrication)
BASE PLATE	ASTM A36 Steel
TUBING	ASTM A500 Gr C Steel
ANCHOR BOLTS	ASTM F1554 Gr 105
MANUFACTURING PROCESSES	
BUTT WELDS	Ground flush with base metal
LONGITUDINAL WELDS	Butt welded by the electrical resistance process
FINISH COATING	
STRUCTURE	Hot dip galvanized per ASTM A123
HARDWARE	Hot dip galvanized per ASTM A153
DESIGN CRITERIA	
STRUCTURE AND HARDWARE	In accordance with the "Specifications for Structural Supports of Highway Signs, Luminaires and Traffic Signals", AASHTO 1994, for 80 mph wind speed with a 1.3 gust factor.
WELDING	In accordance with the latest edition of the AWS D1.1 spec.

- NOTES:**
- Maximum loading on the 25 ft trombone arm is 105 lbs and 13.3 sq ft; located at the end of the arm.
  - Anchor bolts not supplied by AMERON. Dimensions and detail shown for information only. Material must comply with the requirements of ASTM F1554 Grade 105 or similar with a minimum yield strength of 105 ksi.
  - AMERON reserves the right to install tooling lugs or holes to facilitate in the galvanizing process. These lugs/holes will not impede with fit, form or function of the finished product and are to be used solely by the manufacturer.



Steven Eugene Taylor  
Digitally signed by Steven Eugene Taylor  
Date: 2019.08.01 08:09:25 -05'00'

REV	DATE	DESCRIPTION	BY	APPR
J	7-30-19	REV. TUBING MATERIAL SPEC.	JMW	GM
I	6-6-19	REV. POLE SHAFT SIZES	SAD	GM
H	9-16-15	Revised Notes	ST	GM
G	4/09	REVISED HH RIM DETAIL	MHM	RD
F	11/08	REVISED DESIGN CRITERIA	JB	BB
E	9/05	REVISED DESIGN CRITERIA	JJ	GM
D	11-13-02	Revised weld spec.	BB	GM
C	3-26-98	Revised A53 Pipe to A500 Tubing	GM	
B	3-31-97	Redesigned	AC	AC
A	3-3-97	Rev'd p/WI DOT 1996 Spec	AC	AC

<b>Améron POLE PRODUCTS DIVISION</b>				
<b>STATE OF WISCONSIN TYPE 3 TRAFFIC SIGNAL POLE</b>				
<small>THIS DOCUMENT CONTAINS INFORMATION WHICH IS PROPRIETARY TO AMERON. IT SHALL NOT BE REPRODUCED, USED OR DISCLOSED TO ANYONE WITHOUT THE PRIOR WRITTEN PERMISSION OF AMERON.</small>				
DRAWN: AC	DATE: 12/18/95	SCALE: DWG NO.	REV	
APPR:	DATE:	NTS: 10054-3	J	