

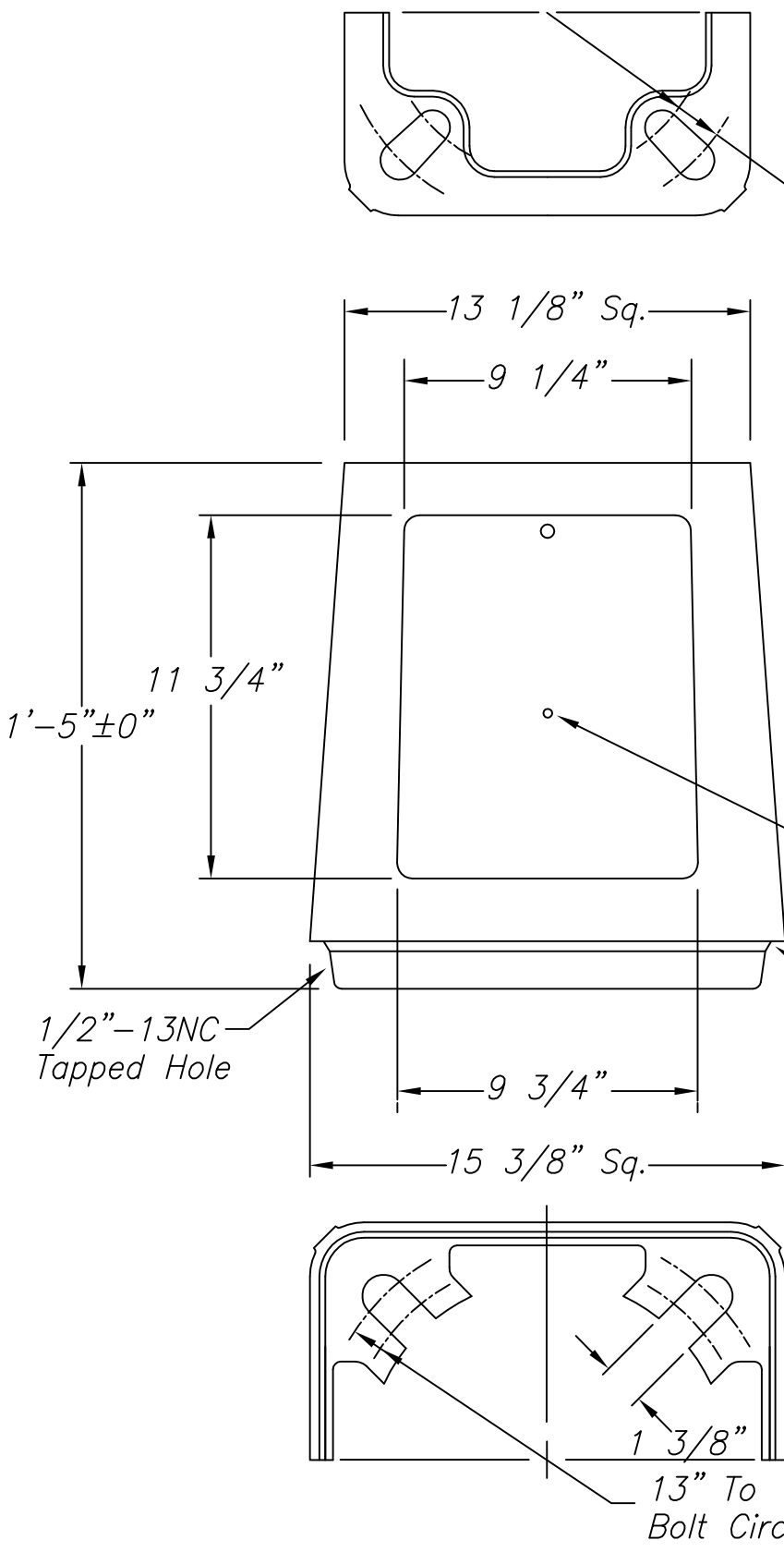
BASE SUPPLIED WITH:  
 (1) Door And 1/4"-20NC Stainless Steel Hex. Hd. Screw  
 (2) Eight 1" Washers 1/2" Thick x 2 3/4" O.D. (Washers Galvanized Per ASTM A153 Or ASTM B695)  
 10 1/2" To 13 1/2" Dia. Bolt Circle

Welding conforms to American Welding Society Structural Welding Code (Aluminum) ANSI/AWS D1.2 (current edition)

AKRON FOUNDRY TB1-AF 1315-17 I.W.  
 (TB1-17")

MATERIAL: Alum. Alloy 356-T6

Note:  
 Base Meets 2001 AASHTO Breakaway Requirements



NO.	REVISIONS	DATE
1	Added Welding Note	11/04
2	Note Was "1994 AASHTO" (KDP)	4/08

**hapco**  
 Abingdon, Va.

TITLE TRANSFORMER BASE	
CUSTOMER	
SCALE 6	DATE 09/15/93
BY LW	DWG. NO.
CHK'D	A70501