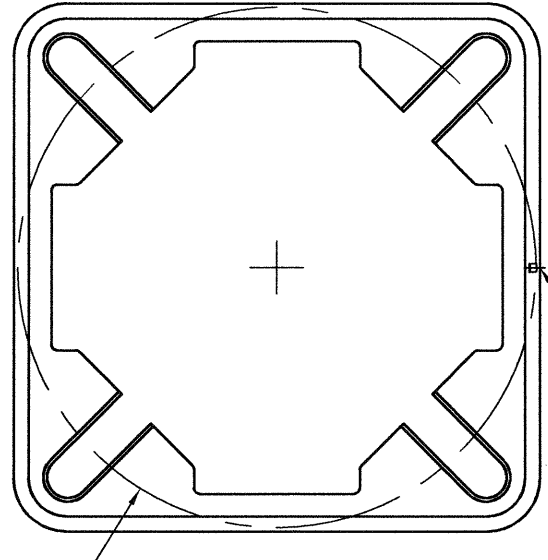


TOP BOLT CIRCLE



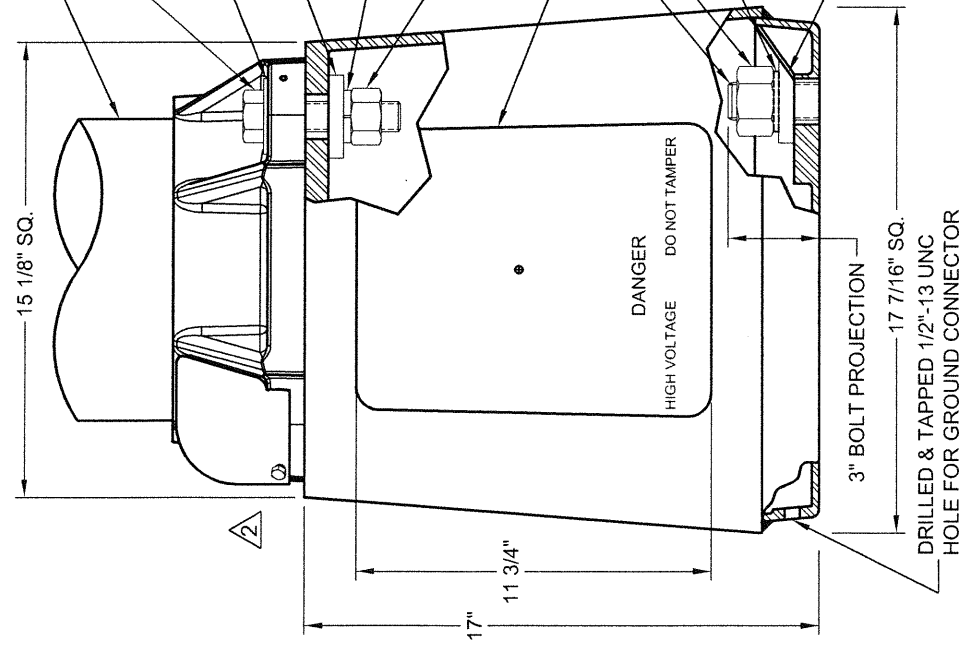
BOTTOM BOLT CIRCLE

1/4"-20 UNC HOLE  
FOR GROUND CONNECTOR  
@ 180° RIGHT OF DOOR

- 10" DIA. ALUMINUM SHAFT & CAST ALUMINUM ANCHOR BASE
- (4) 1"-8 x 4 1/2" LG. 1 3/4" THREADED GALVANIZED HEX HEAD BOLTS (ASTM A325 STRUCTURAL BOLT)  $\triangle$  3/5
- (4) 1" I.D. GALVANIZED FLAT WASHERS (2" O.D. FOR TYPE 7 & TYPE 17; 2 1/2" O.D. FOR TYPE A & TYPE E)  $\triangle$  5
- (4) 1 1/16" I.D. x 2 3/4" O.D. x 1/2" THK. GALVANIZED FLAT WASHERS
- (4) 1" GALVANIZED  $\triangle$  3 SPLIT-LOCK WASHERS
- (4) 1"-8 GALVANIZED  $\triangle$  6 HEAVY HEX NUTS (ASTM A563, GRADE DH)
- 9 3/4" BOTTOM WIDTH x 9 1/4" TOP  $\triangle$  WIDTH CAST ALUMINUM TRANSFORMER BASE DOOR (356-T6 ALLOY) W/ 1/4"-20 x 3/4" LG. SS HEX HEAD BOLT (CONTRACTOR TO COAT WITH ANTI-SEIZE COMPOUND IF REQUIRED)
- (4) GALVANIZED ANCHOR BOLTS  $\triangle$  5
- (4) GALVANIZED HEAVY HEX NUTS
- (4) 1" I.D. x 2" O.D. GALVANIZED FLAT WASHERS (REQ'D WHEN USING 1"-8 ANCHOR BOLTS)  $\triangle$  5
- (4) 1 5/16" I.D. x 2 3/4" O.D. x 1/2" THK. GALVANIZED FLAT WASHERS

**IMPORTANT NOTE:**  
TRANSFORMER BASE AND LIGHTPOLE TO BE LEVELED AS ONE UNIT, USING LEVELING SHIMS IF REQUIRED.

DO NOT SCALE



$\triangle$  5

**CAUTION** 1985 AASHTO  
BEFORE THE INSTALLATION OF THIS BASE IN SERVICE, USER SHOULD ALWAYS CONSULT WITH AUTHORIZED DISTRIBUTOR REGARDING PROPOSED APPLICATION, LOADING TO BE SUSTAINED AND INSTALLATION REQUIREMENTS. THIS BASE IS NOT TO BE USED FOR OVERLOADING/IMPROPER LOADING OR INCORRECT INSTALLATION.  
TO APPROACH OPTIMUM STATIC LOADS, USE THE LARGEST POSSIBLE BOLT CIRCLES AND USE STEEL WASHER SIZES SPECIFIED BELOW:  
FOR 1" THRU 1 1/8" DIA. TOP BOLT CIRCLES USE 2 3/4" DIA. X 1 5/16" I.D. X 1/2" THK. WASHERS  
FOR 1 1/4" DIA. BOTTOM BOLT CIRCLES USE 2 3/4" DIA. X 1 5/16" I.D. X 1/2" THK. WASHERS  
FOR OPTIMUM PERFORMANCE, INSURE TRANSFORMER BASE ON A FLAT AND LEVEL FOUNDATION. RECHECK AND RE-GROUT BASE IF GAPS ARE PRESENT. THOROUGHLY FILL VOIDS WITH A NON-SHINK GROUT. TORQUE GROUND MOUNTING NUTS TO 50 FT. LBS.

**BREAKAWAY BASE**  
APPROVED BY E.H.V.A. TO 685 AASHTO REQUIREMENTS  $\triangle$  1



Valmont Industries, Inc. Structures Division  
20805 Eaton Ave Farmington, Minnesota 55024-7932  
Phone: (651) 463-8990 (800) 899-7577  
Fax: (651) 463-3349

**\*\*CONFIDENTIAL\*\***  
The information contained in this drawing is privileged and confidential, and may be protected from disclosure. Please be aware that any use or dissemination of this drawing may be subject to legal restriction or sanction.

TITLE: S T-BASE 15-17 BC BLK DR 10" RD 17		QTY: -
MODEL NO.: 10R1517B17W		DOWN BY: BMS
MATERIAL: ALUMINUM ALLOY		CHK'D BY:
FINISH:		APPR BY: <i>EB</i>
PROJECT: WISDOT		DATE: 12/12/05
SOLD TO:		DWG NO: KPS
SHIP TO:		REVISED NOTE: KPS
P.O. NO:		REVISED NOTE: JRB
REP:		CH'D NUT & BLT, ADDED WASH., UPTD NOTE & BC
REV DATE		BY
REV DESCRIPTION		24 / 25