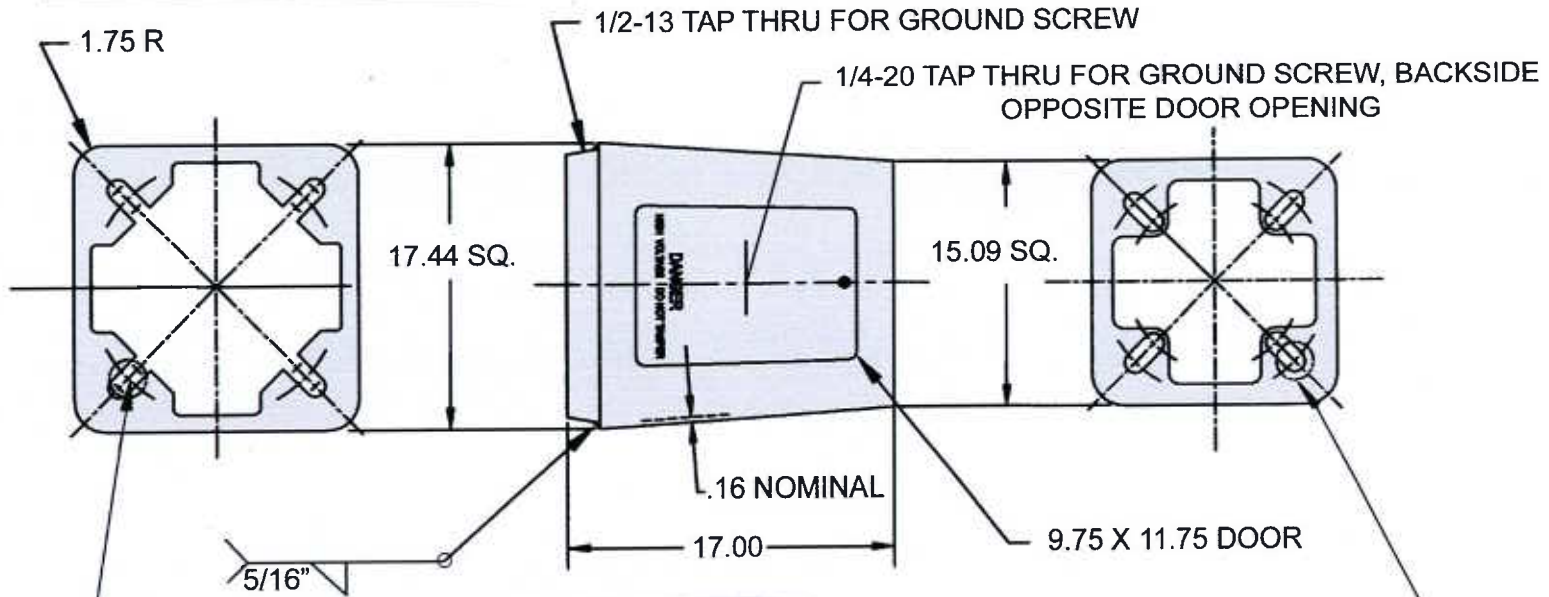


WARNING: CONTACT YOUR DISTRIBUTOR FOR ANY INBOARD DIA. B.C. GROUND MOUNTING APPLICATIONS.



MIG 4043 WIRE WITH APPROX. 5" WELD ON EACH OF THE (4) INTERNAL CORNERS

BOTTOM BOLT CIRCLE FOR 17 1/4" DIA. B.C. 4 PLS. EQ. SPACED
USE 2 3/4" DIA. X 1 5/16" I.D. X 1/2" TK. STEEL WASHERS

TOP BOLT CIRCLE FOR 13" DIA. THRU 15 1/8" DIA. B.C. 4 PLS. EQ. SPACED.
USE 2 3/4" DIA. X 1 5/16" I.D. X 1/2" TK. STEEL WASHERS

DOOR SUPPLIED / BLANK OR LOGO IN ALUMINUM OR NON-METALLIC, INJECTION MOLDED ABS WITH OR WITHOUT HINGE
 ST'D. DOOR LATCH #1022 / USE 1/4-20 X 1" LONG S.S. SCREW / HEAD TYPE CUSTOMER OPTION
 ALL WASHERS TO BE ZINC MECHANICAL COATED PER ASTM B 695 - 85 CLASS 50
 356 T-6 ALUMINUM ALLOY / S.S. WHEELABRATED FINISH CHEMICAL AND PHY. CERTS TO BE SUPPLIED WITH EACH SHIPMENT

ADHESIVE BREAKAWAY AND CAUTION LABELS TO APPEAR
ON INSIDE WALL OPPOSITE DOOR OPENING

| | |
|------------------------------|----------------|
| AKRON FOUNDRY COMPANY | |
| 1985 AASHTO T-BASE | |
| 6-20-12 | TB3-17" |

MATERIAL MELTED AND MANUFACTURED IN THE U.S.A. CASTINGS PRODUCED IN THE U.S.A.
 TOP: JOB# 2127 BOTTOM: JOB# 0845 DOOR: JOB# 2128 ASS'Y JOB# 2211
 ORDER "H" AFTER PART NUMBER WHEN A HINGE DOOR APPLICATION IS REQUIRED
 ORDER "P" AFTER PART NUMBER WHEN A NON-METALLIC DOOR APPLICATION IS REQUIRED

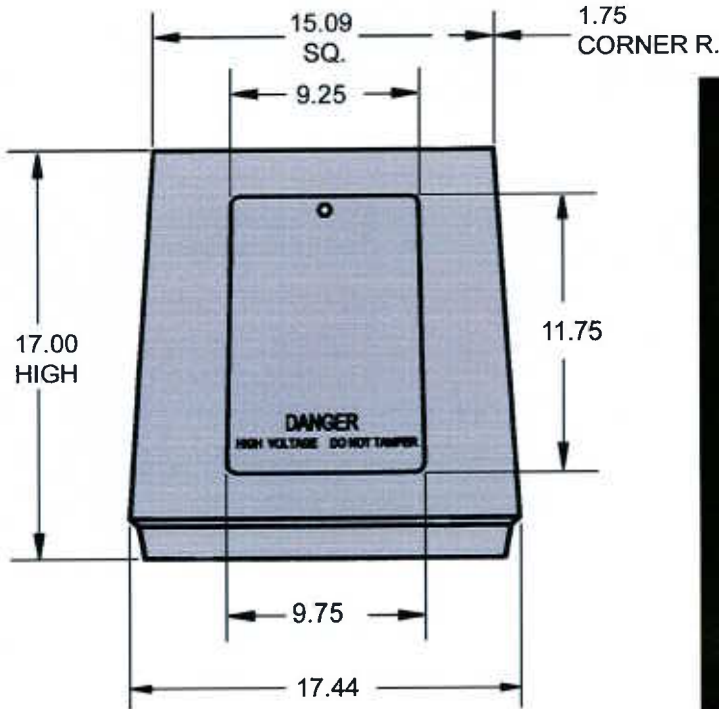
APPROVED BY F.H.W.A. TO 1985 AASHTO



TB3-17

WARNING: CONTACT YOUR DISTRIBUTOR FOR ANY INBOARD DIA. B.C. GROUND MOUNTING APPLICATIONS.

TB3-17



This base features 13" to 15 1/8" top bolt circle and is designed for a 17 1/4" bottom bolt circle. Stands 17" in height.

Base can be ordered with hinged door option or with non-metallic access door. Standard or vandrel screw to fit your specifications.

TB3-17

AKRON FOUNDRY COMPANY AKRON, OHIO

1985 AASHTO

CAUTION

BEFORE THE INSTALLATION OF THIS BASE IN SERVICE, USER SHOULD ALWAYS CONSULT WITH AUTHORIZED DISTRIBUTOR REGARDING PROPOSED APPLICATION, LOADING TO BE SUSTAINED AND INSTALLATION INSTRUCTIONS. FAILURE(S) CAN RESULT FROM MISAPPLICATION, OVERLOADING/IMPROPER LOADING OR INCORRECT INSTALLATION.

TO APPROACH OPTIMUM STATIC LOADS, USE THE LARGEST POSSIBLE BOLT CIRCLES AND USE STEEL WASHER SIZES SPECIFIED BELOW:

FOR 13" THRU 15 1/8" DIA. TOP BOLT CIRCLES
USE 2 3/4" DIA. X 1 5/16" ID X 1/2" TK. WASHERS

FOR 17 1/4" DIA. BOTTOM BOLT CIRCLES
USE 2 3/4" DIA. X 1 5/16 I.D X 1/2" TK. WASHERS

FOR OPTIMUM PERFORMANCE, MOUNT TRANSFORMER BASE ON A FLAT AND LEVEL FOUNDATION SURFACE. SHIM BASE WHEN REQUIRED, IF GAPS ARE PRESENT, THOROUGHLY FILL VOIDS WITH A NON-SHRINK GROUT. TORQUE GROUND MOUNTING NUTS TO 150 FT. LBS.

BREAKAWAY BASE

APPROVED BY F.H.W.A. TO 1985 AASHTO REQUIREMENTS

CONTACT YOUR DISTRIBUTOR FOR ANY INBOARD GROUND APPLICATIONS

APPROVED BY F.H.W.A. TO 1985 AASHTO REQUIREMENTS

AKRON FOUNDRY COMPANY

1985 AASHTO T-BASE

6-20-12

TB3-17"