



## 4 EVR MOAB

### "Mother of All Buttons"

- Programmable at the Intersection- Momentary and Latching LED Modes.
- Lower Power Consumption
- Improved Transient Protection
- Louder Audible "Dee-Dah" Feedback
- Solid State Piezo Switch
- Flush Mountable
- ADA, MUTCD, and TAC Compliant
- Superior Machined Aluminum Bezel
- Stainless Steel Actuator
- 5 Year Limited Warranty

Verisys Registrars  
Helpful Auditing  
ISO 9001:2015 Certified



## NEXT GENERATION 4 EVR PUSH BUTTON



Scan for more info

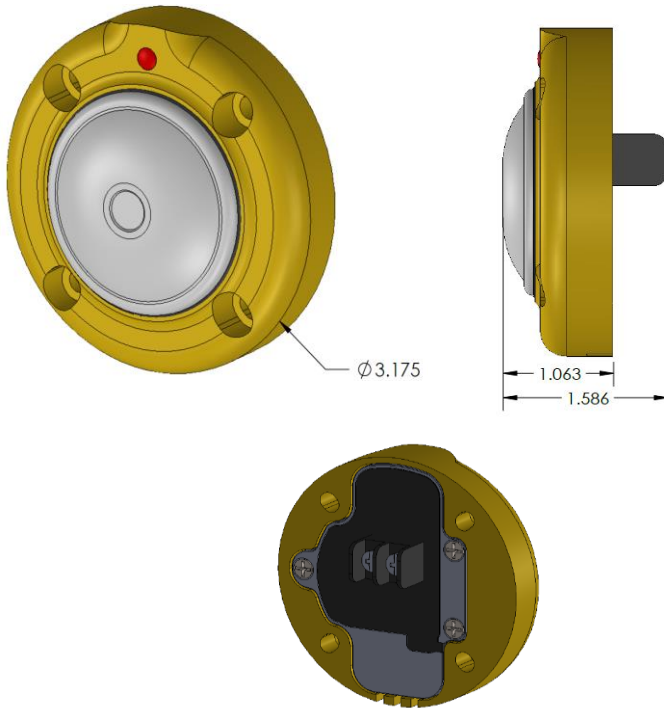
- Latching LED Mode with compatible Latching Interface - PBI-L or PBIC-24
- 2-hole options: 9 & 3 o'clock, 10 & 2 o'clock
- 5VDC option available
- Rectangular Form Factors (4 and 2 hole)
- Optional tactile arrow -left, right, up.



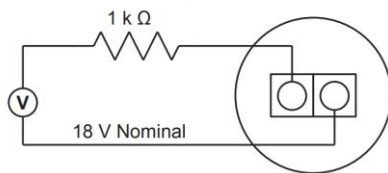
The MOAB is the next generation Pedestrian Push Button in the 4 EVR product line. The button can be quickly programmed between momentary and latching LED modes at the intersection.



## 4 EVR MOAB Round Pedestrian Push Button



Suggested Test Circuit  
(Momentary Mode Only)



4 EVR MOAB Round Yellow Model Shown

The 4 EVR MOAB is the next generation of solid-state pushbuttons. A new flush mount form factor with higher volume, lower power consumption, improved transient protection, and self-latching capability. Virtually vandal proof, the MOAB utilizes a Piezo switch element that cannot be stuck in a constant call. An audible tone is momentarily activated with the pedestrian call. The LED can be latching or momentarily activated with a pedestrian call. The actuator is pressure sensitive and mechanically isolated from the piezo switch so it cannot be damaged.

### Materials

Bezel: Solid 6061T6 Aluminum  
Actuator: Passivated 303 Stainless Steel  
Hardware: Stainless Steel  
Finish: Powder Coat

### Feedback:

Visual: LED Super Bright Red  
Audible: Dee 3900 Hz – Dah 3600 Hz  
Tactile: Optional Tactile Arrow

### Form Factor:

Round: 3" OD / 4 hole, 2 hole (9-3, 10-2)  
Rectangular: 2.8" x 4.5" – 4 hole, 2 hole  
Color: Black, Yellow, Green, Natural

### LED Specifications:

Luminous Intensity: 5000 mcd  
Viewing Angle: 155°

### Warranty: 5 year limited

Terminal screws include clamping plates intended for bare wire connections.

### Piezo Electric, Solid State Switch:

Operating Force: <3 lbf  
Operating Temp: -40F to 176F (-40C to 80C)  
Operating Voltage: 12 – 36 VDC, 12-24 VAC (5VDC Option available)  
Switch Operating Life: 300 million operations  
Switch Resistance: <20 ohms  
Off Current: <15 uA Typ.  
On Resistance: <150 Ohms Typ.  
Max On Time: 150 ms Typ.  
Debounce Time: 600 ms Typ.

### LED Operating Modes:

Momentary: On for 0.025 seconds to correspond with audible on beep and circuit closure.

Latching: LED activates only during non-walk phases and extinguishes at the beginning of the walk phase.



## Design Compliance

TEST TYPE	COMPLIANCE
Activation Force	MUTCD 2009 -4E
Temperature & Humidity	NEMA TS2
Transient Voltage Protection	NEMA TS2
Transient Suppression	IEC 61000-4-5
Electronic Noise	FCC Title 47, Part 15 Class A
Mechanical Shock & Vibration	NEMA TS2
Ingress of Water	NEMA 250-6P, Rain, Snow, Submersion, etc.
Salt Spray and Corrosion	NEMA 250 -6P
Ingress of Foreign Objects	NEMA 250 -6P

All certifications performed by Certified Independent Testing Laboratories.

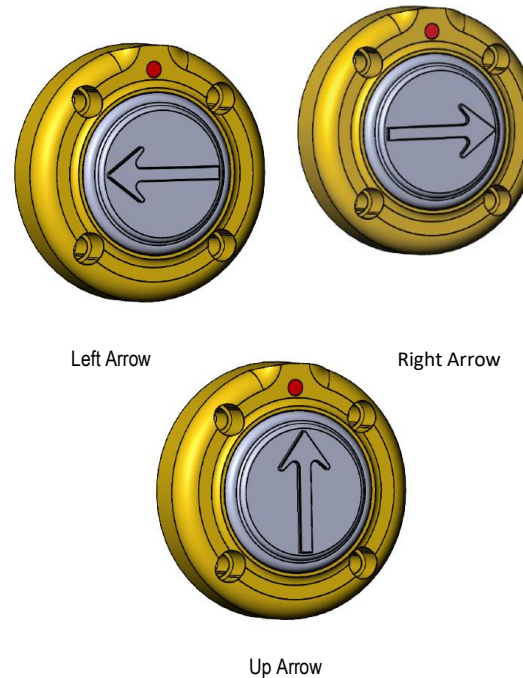
Note: Applicable sections only of reference standards.  
All specifications are subject to change without notice.

### ROUND BEZEL

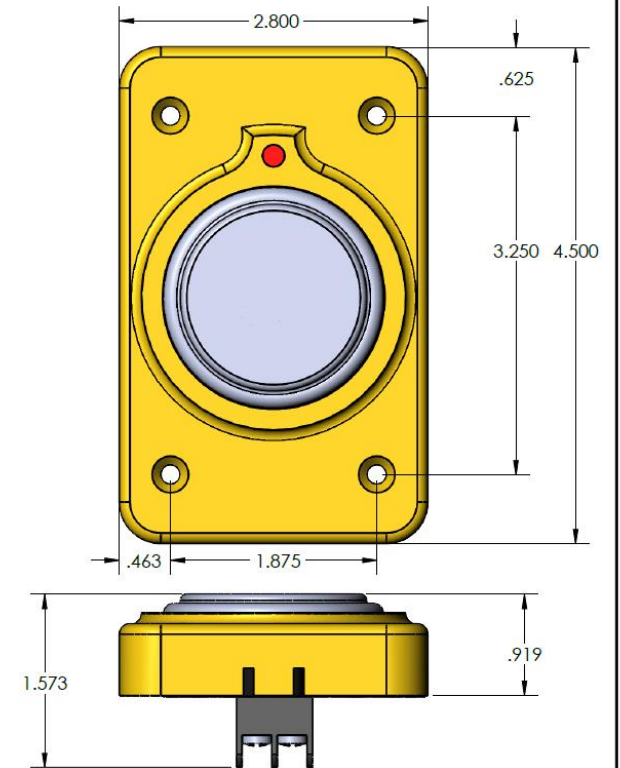
Item Description	4 Hole	2 Hole
4 EVR MOAB Rnd	502-2001	502-2003 (9-3) 502-2009 (10-2)
4 EVR MOAB 5VDC	502-2032	
4 EVR RND Tactile Arrow (TA)	502-2005	502-2007
4 EVR RND No LED	502-2012	502-2013

### RECTANGLE BEZEL

Item Description	4 Hole	2 Hole
4 EVR REC	502-2050	502-2052
4 EVR REC No LED	502-2055	502-2054
4 EVR REC Tactile Arrow	502-2060	



4 EVR MOAB Rectangle W/ LED - 4 Hole





## 4 EVR MOAB Push Button Operating Specifications

### General

- Weatherproof, Vandal resistant, & Impact-resistant design construction
- No moving plunger or electrical contacts
- Completely insulated to preclude electrical shock under any weather conditions

### Push Button Materials

- Solid 6061 T6 Aluminum Bezel
- Stainless Steel 2" ADA compliant actuator
- Laser inscribed actuator logo or emblem - optional
- Ultrasonically cleaned, hard baked enamel electrostatically powder coated
- Dimensions:  $\varnothing 3.175'$

### Actuation Specifications

- Switch Piezo electric, solid state UL certified
- Force of operation < 3lbf
- Temperature: - 40C to 80 C
- Switch Life:  $300 \times 10^6$  actuation minimum
- LED: Visual angle 155 degrees.
- Audible confirmation: Dee 3900 Hz – Dah 3600Hz beep to correspond with circuit closure.
- Visual confirmation LED: On for .025 second to correspond with audible on beep and circuit closure.

### Electrical Specifications

- Operating Voltage DC: 12-36 VDC
- Operating Voltage AC: 12-24 VAC
- On Resistance < 150 Ohms
- Operating Mode: Normally Open
- Closure Dwell: 150 ms
- Maximum Terminal Voltage @ Closure: 1.5 V



# Campbell Company

## Warranty

- 5 Years

## Certification:

- Campbell Company: ISO 9001-2015 Certification

TEST TYPE	COMPLIANCE
Activation Force	MUTCD 2009 -4E
Temperature & Humidity	NEMA TS2
Transient Voltage Protection	NEMA TS2
Transient Suppression	IEC 61000-4-5
Electronic Noise	FCC Title 47, Part 15 Class A
Mechanical Shock & Vibration	NEMA TS2
Ingress of Water	NEMA 250-6P, Rain, Snow, Submersion, etc...
Salt Spray and Corrosion	NEMA 250 -6P
Ingress of Foreign Objects	NEMA 250 -6P