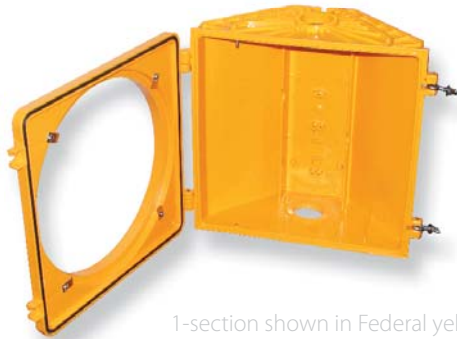


Traffic Signal Housing

8" Diameter
12" Diameter
Aluminum
Polycarbonate



1-section shown in Federal yellow



3-section shown in Federal yellow

Cabinets
Controllers
Signals
Signs
Software
Specialty

Overview

McCain's Traffic Signal Housings, available in eight and twelve inch varieties, provide a durable and low-maintenance housing for standard LED modules as well as McCain incandescent optical assemblies. Manufactured from polycarbonate or aluminum, the housings are compliant with multiple agency standards including the Institute of Transportation Engineers (ITE), Caltrans, and most state Departments of Transportation (DOTs). An industry leader in signal manufacturing and supply, McCain offers an extensive range of materials, configurations, and accessories, including backplates, visors, and signal assemblies, to meet your traffic signal requirements.

Benefits

- Modular design promotes flexible configuration options: one to five sections, vertical, horizontal, and doghouse (5-section cluster)
- Fabricated from aluminum or polycarbonate with 10% fiberglass reinforcement (available without fiberglass reinforcement)
- 8" or 12" diameter
- Weathertight doors
- Custom hardware and terminal block location available

Product Description

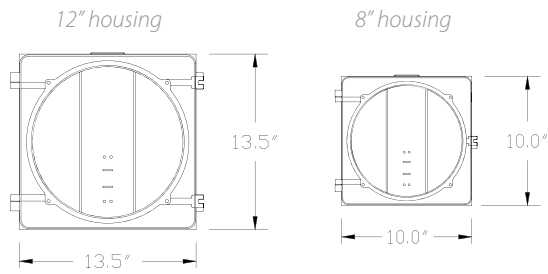
The McCain Traffic Signal Housings are modular in design, allowing a multitude of signal housing configurations for standard LEDs as well as McCain incandescent optical assemblies.

Available in polycarbonate and aluminum, each section is injection molded or cast in one piece. Reinforcement ribs and serrated ports, both top and bottom, provide strength and positive locking with other sections and mounting hardware. Positive latching of doors is achieved with stainless steel eyebolts and wing nut assemblies, and the doors feature four metal threaded inserts for visor attachment. A positive seal is assured with an E.P.D.M. rubber gasket creating a moisture-free and dust-tight atmosphere.

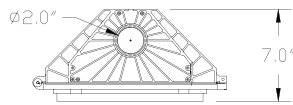
Traffic Signal Housings are compatible with McCain backplates and visors, available in both aluminum and ABS. The top and bottom ports allow installation into many framework mounting assemblies.

Traffic Signal Housing

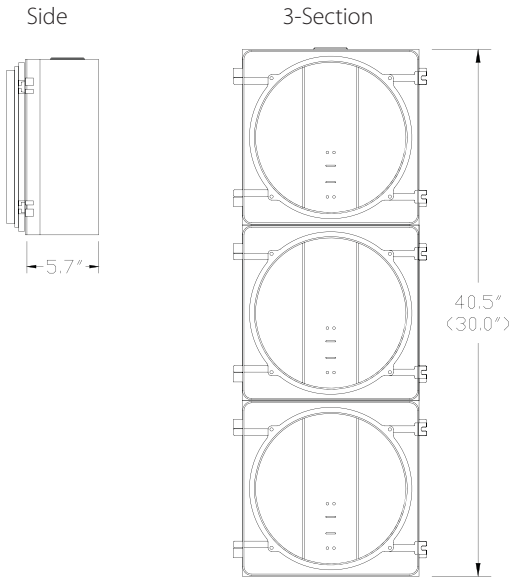
Front



Top



Side



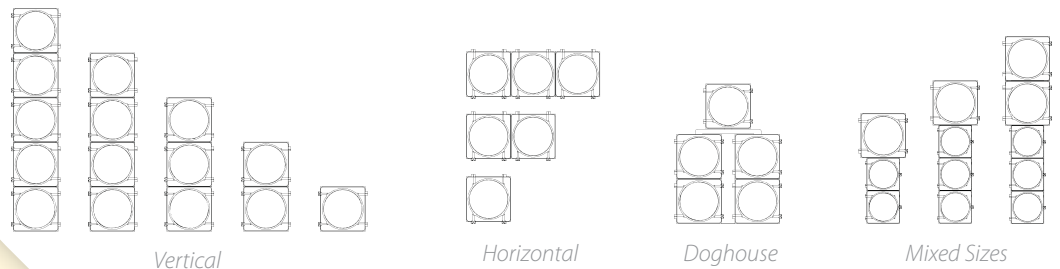
Dimensions are approximate and may vary.

3-section 12" housing shown as an example configuration. 3-section 8" housing height dimensions is listed in parentheses.

Depth for the 8" and 12" housings are approximately the same.

Minor differences between the 8" and 12" may not be shown.

Typical configurations



Standard Features

- Modular sections, one-piece, injection molded or cast
- 72-tooth serrated boss and reinforcing ribs, top and bottom
- Brass threaded inserts for visor attachment (4)
- Housings have a cast boss for mounting a 5 or 6-position terminal block; one side of terminal block with fast-on terminals, the other side with screw terminals
- The words red, amber, and green are cast next to each boss to identify light source lead wires
- 5 or 6-position terminal block installed in center section (1) (alternate mounting is available)
- Stainless steel door roll pins and eye bolt/wing nut assemblies
- Integral lugs on the housing and doors with stainless steel roll pins provide effective door hinges
- Weathertight E.P.D.M. rubber door gasket
- Aluminum and polycarbonate, and 8" and 12" housings can be mixed in one signal head

General Specifications

Dimensions:	8": 10.0" H x 10.0" W x 7.0" D
(1-section)	12": 13.5" H x 13.5" W x 7.0" D
Material:	Polycarbonate: Ultraviolet and heat stabilized, flame retardant, permanently colored, 10% fiberglass reinforcement Aluminum: Type 360, reduced corrosion, increased powder coat adhesion
Finish(es):	Polycarbonate: Colored resins integral to housing Aluminum: Powder coated
Color(s):	Federal yellow, signal green, black, or custom colors
Mounting:	2.0" hole top and bottom fits 1.5" NPT fittings
Environmental:	Operating temperature: -37°C to +74°C Humidity: 0 to 95% (non-condensing)
Shipping Weight:	Polycarbonate: 8" - 2.1 lbs 12" - 4.2 lbs (empty, 1-section) Aluminum: 8" - 4.0 lbs 12" - 7.8 lbs

Options

- Fiberglass-free polycarbonate
- Location, quantity, and type of terminal blocks
- Door mounting hardware: Push pin (removable) or roll pin (permanent)
- Visors
- Backplates
- Mounting: Various framework, orientation, and configurations
- Light Source: LED or incandescent
- High-performance (highly directional) signal version

To learn more about McCain's Integrated Traffic Solutions, please contact info@mccain-inc.com or call (760) 727-8100



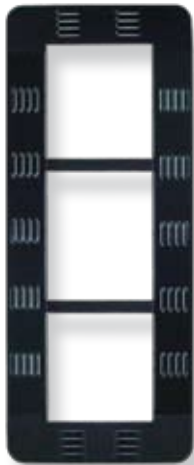
2365 OAK RIDGE WAY // VISTA, CALIFORNIA 92081 // USA // WWW.MCCAIN-INC.COM

© 2009 McCain Inc. Updated 01/27/09. McCain reserves the right to change product specifications without notice. For the most up-to-date information, please contact McCain.

Backplates

Standard Signal Heads
Programmable Signal Heads

Cabinets
Controllers
Signals
Signs
Software
Specialty



High performance 3-section
backplate, 5 inch, louvered



Standard backplate,
8 inch, non-louvered



Standard backplate,
5 inch, louvered

Overview

McCain's Backplates provide a visual contrast between signal heads and the background enhancing signal visibility. Available for standard and programmable signal heads in eight and twelve inch sizes, backplates can be configured for one to five section, cluster, or combination signals. Available in a variety of standard and custom colors to match the signal head, backplates provide an aesthetically pleasing and functional look for your intersection.

Benefits

- Enhances signal visibility by creating an environmental contrast
- Compatible with standard and programmable signal heads
- Available in a multitude of configurations
- 5" or 8" borders
- Standard and custom color options

Product Description

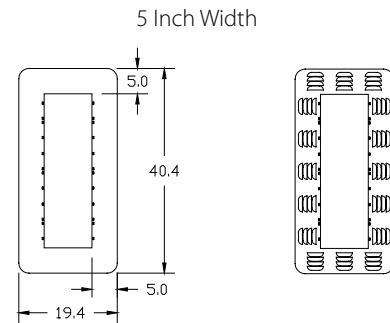
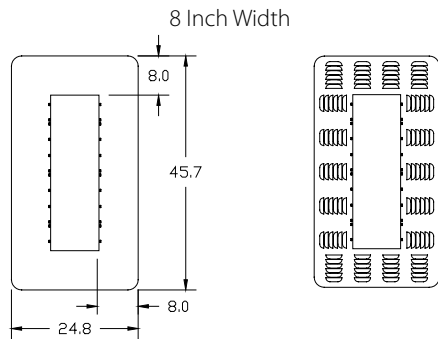
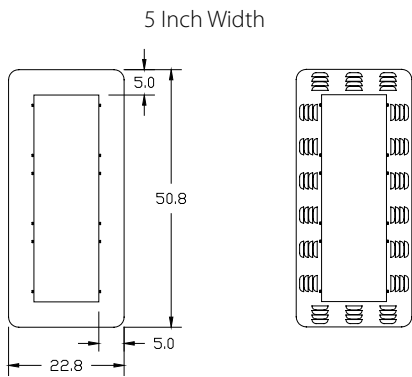
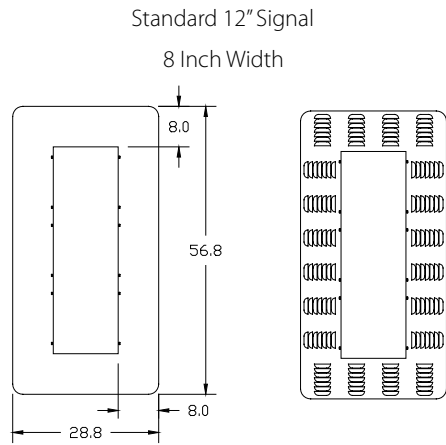
The McCain Backplate collection is ideal for use in conjunction with standard or programmable signal heads. Backplates are available in several types including aluminum, ABS sheet, and vacuum-formed ABS, and the aluminum is available in a louvered style. Vacuum-formed backplates incorporate a 1/2" lip for added strength.

All backplates are available with five or eight inch borders. Mounting methods vary depending on the backplate type.

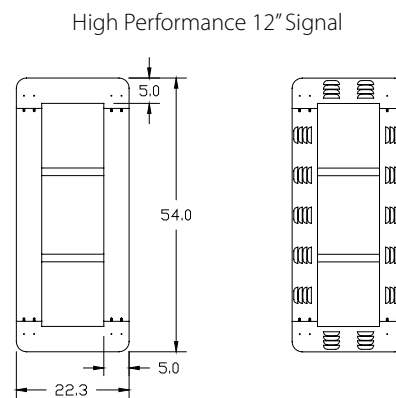
All backplates have a flat black front face for increased visual contrast against the background. The back face of the backplates is available in a variety of colors to match your current signal housing.

Backplates are also available with reflective tape borders.

Backplates



Typical 3-section backplates shown as examples
Louvered types approximately the same size as non-louvered
Dimensions rounded to the nearest 0.1"



Example of Reflective Tape
(with louvers)

Standard Features

- Accommodates 8", 12", cluster, and combination signal heads
- 5" or 8" borders (HP available only in 5")
- Aluminum available with or without louvers; ABS, non-louvered only
- Aluminum, ABS, and ABS vacuum formed (high performance signal head backplates are only available in aluminum)
- ABS vacuum formed have flanged edges for added strength

General Specifications

Dimensions:	Varies based on signal configuration
Material:	Aluminum, ABS
Finish(es):	Aluminum: Powder coat ABS: Integrally molded
Color(s):	Face: Flat black Back: Federal yellow, signal green, black, or custom colors
Construction & Attachment:	Depends on style
Signal Mounting:	Elevator Plumbizer (MAS) and standard
Shipping Weight:	Varies based on signal configuration

Options

- Modification to allow use of reflective tape on aluminum louvered and non louvered styles
- Aluminum available with flanged edges for added stiffening

Standard 8" Signal

To learn more about
McCain's Integrated Traffic
Solutions, please contact
info@mccain-inc.com or
call (760) 727-8100



2365 OAK RIDGE WAY // VISTA, CALIFORNIA 92081 // USA // WWW.MCCAIN-INC.COM

© 2009 McCain Inc. Updated 03/05/09. McCain reserves the right to change product specifications without notice.
For the most up-to-date information, please contact McCain.