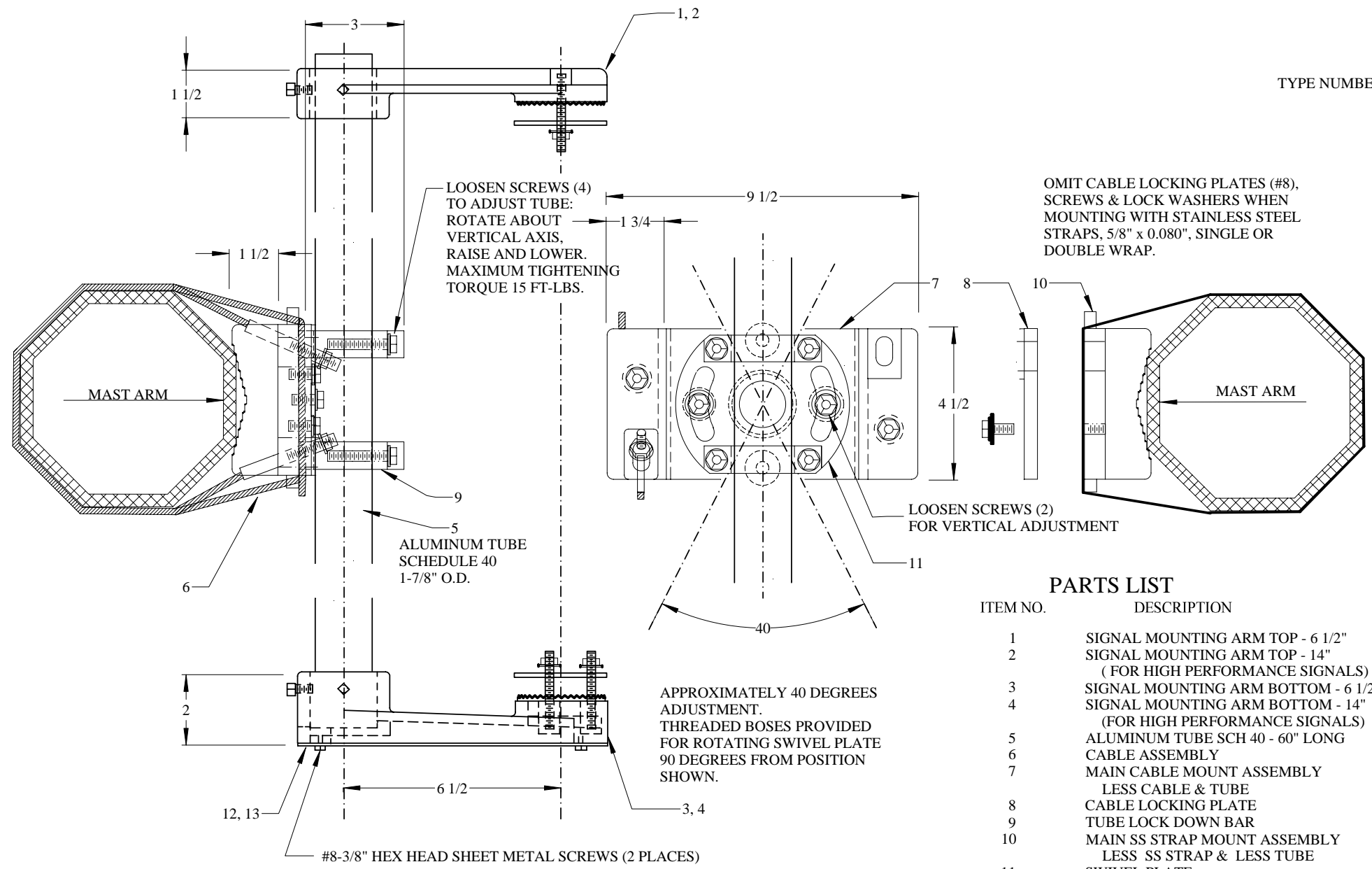
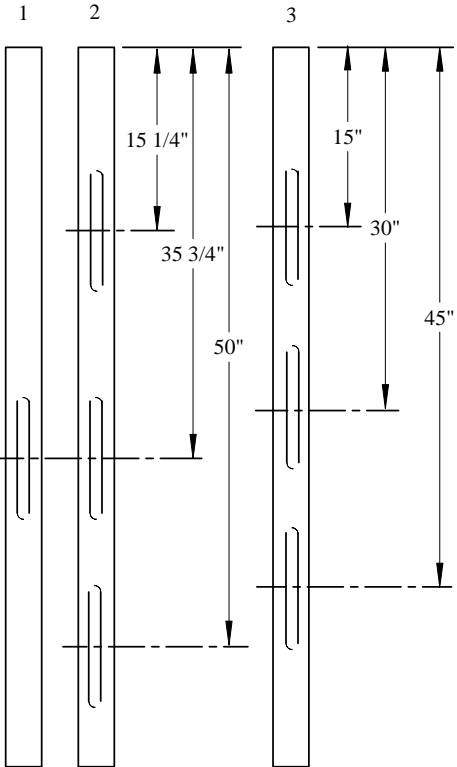


**TUBE WIRE ENTRANCE
ITEM 5**

SLOTS 3/4" X 9"
NOT TO SCALE

TYPE NUMBER



LOOSEN SCREWS (4)
TO ADJUST TUBE:
ROTATE ABOUT
VERTICAL AXIS.
RAISE AND LOWER.
MAXIMUM TIGHTENING
TORQUE 15 FT-LBS.

OMIT CABLE LOCKING PLATES (#8),
SCREWS & LOCK WASHERS WHEN
MOUNTING WITH STAINLESS STEEL
STRAPS, 5/8" x 0.080", SINGLE OR
DOUBLE WRAP.

LOOSEN SCREWS (2)
FOR VERTICAL ADJUSTMENT

APPROXIMATELY 40 DEGREES
ADJUSTMENT.
THREADED BORES PROVIDED
FOR ROTATING SWIVEL PLATE
90 DEGREES FROM POSITION
SHOWN.

CABLE ASSEMBLY (TWO REQUIRED)
LENGTH 50" INCLUDING THREADED CONNECTOR, 1/1/2" LONG 3/8"-16 TPI
AND 1-3/8" LONG 5/16" HEX. NYLON LOCKING NUT WITH WASHER PROVIDED.
FREE END OF CABLE WELDED TO PREVENT FRAYING

PARTS LIST

ITEM NO.	DESCRIPTION
1	SIGNAL MOUNTING ARM TOP - 6 1/2"
2	SIGNAL MOUNTING ARM TOP - 14" (FOR HIGH PERFORMANCE SIGNALS)
3	SIGNAL MOUNTING ARM BOTTOM - 6 1/2"
4	SIGNAL MOUNTING ARM BOTTOM - 14" (FOR HIGH PERFORMANCE SIGNALS)
5	ALUMINUM TUBE SCH 40 - 60" LONG
6	CABLE ASSEMBLY
7	MAIN CABLE MOUNT ASSEMBLY LESS CABLE & TUBE
8	CABLE LOCKING PLATE
9	TUBE LOCK DOWN BAR
10	MAIN SS STRAP MOUNT ASSEMBLY LESS SS STRAP & LESS TUBE
11	SWIVEL PLATE
12	COVER, BLACK ABS, 6 1/2" MOUNT
13	COVER, BLACK ABS, 14" MOUNT

NOTE:

SCREWS
3/8" - 16 TPI - 9/16" HEX HEAD
3/8" - 16 TPI - 3/8" SQUARE HEAD
SIGNAL HEAD MOUNTING HARDWARE
5/16 - 18 TPI STUDS WITH 1/2" HEX NUTS
WITH WASHERS.

SECO - South		
MAST--O--BRACKET SECO SERIES 40		
P.O.:	DRAWN: JIV	REV.:
P.O.:	DATE: 02/28/02	
SHEET NO. 1 OF 1		DWG. NO.: CAD - 02280203