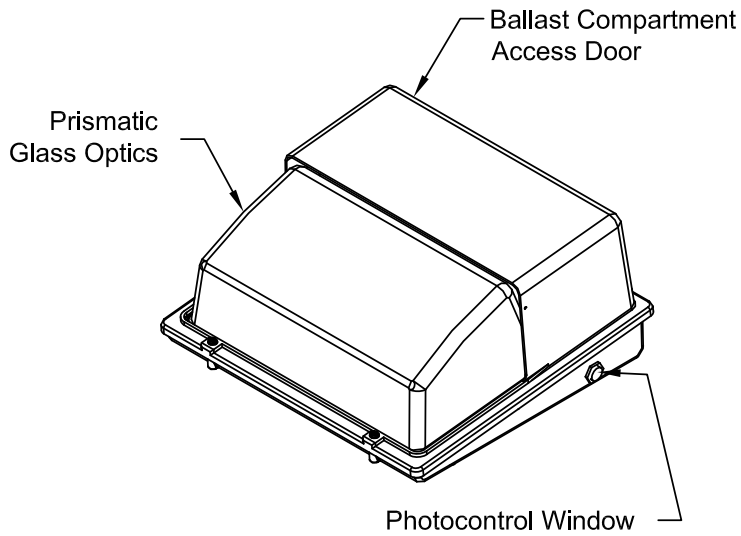


Maximum Weight - 28 Lbs.

659.1215 Luminaires Underdeck LED C



Wallpack® IV
GLASS LED

INFRASTRUCTURE
OUTDOOR

HOLOPHANE®
LEADER IN LIGHTING SOLUTIONS
An **Avicuity Brands** Company

THIS DRAWING, WHEN APPROVED, SHALL BECOME THE COMPLETE SPECIFICATION FOR THE MATERIAL TO BE FURNISHED BY HOLOPHANE ON THE ORDER NOTED ABOVE. A UNIT OF SIMILAR DESIGN MAY BE USED IN CONNECTION WITH THIS ORDER, BUT THE MATERIAL PRINT WILL BE SUPPLIED WITH EACH ANCHOR BOLT ORDER TO MATCH THE POLE PROVIDED. THIS PRINT IS THE PROPERTY OF HOLOPHANE AND IS LOANED SUBJECT TO RETURN UPON DEMAND AND UPON EXPRESS WRITTEN NOTICE TO THE SUPPLIER. THIS DRAWING IS NOT TO BE REPRODUCED OR TRANSMITTED IN ANY MANNER WITHOUT THE EXPRESS WRITTEN PERMISSION OF HOLOPHANE. ANY REPRODUCTION OR CONNECTION WITH MATERIAL FURNISHED BY HOLOPHANE.

W4GLED 30C 1000 40K T3M MVOLT GYSDP

ORDERING INFORMATION:

Series
W4GLED

LED's
10C = 10 LED (ONE ENGINE)
20C = 20 LED (TWO ENGINES)
30C = 30 LED (ONE ENGINE)

DRIVE CURRENT
1000 = 1000 mA (1A)

COLOR TEMPERATURE
30K = 3000K
40K = 4000K
50K = 5000K

DISTRIBUTION
T3M = TYPE III
MEDIUM

VOLTAGE
MVOLT = MULTIVOLT ¹
120, 208, 240, 277 ¹
120 = 120 VOLT ¹
208 = 208 VOLT ¹
240 = 240 VOLT ¹
277 = 277 VOLT ¹
347 = 347 VOLT ²
480 = 480 VOLT ²

CONTROL OPTIONS
DMG = 0-10V DIMMING DRIVER
PE = PHOTOELECTRIC CELL ³
BUTTON TYPE
PER = NEMA TWIST-LOCK
RECEPTACLE ONLY
(NO CONTROLS)

OPTIONS
SHIPPED INSTALLED
SF = SINGLE FUSING 120, 277 & 347 VOLTS ⁴
DF = DOUBLE FUSING 208, 240 & 480 VOLTS ⁴
TP = TAMPER RESISTANT SCREWS
NOM = NOM CERTIFIED
SPD = SEPERATE SURGE PROTECTION ⁵
ELSW = EMERGENCY BATTERY BACKUP
(STANDARD 0°C) ⁶
ELCW = EMERGENCY BATTERY BACKUP
(COLD WEATHER -20°C) ⁶
LWG = WIRE GUARD ⁹
LVG = VANDAL GUARD ⁹

FINISH
BKSDP = BLACK
GYSDP = GRAY
WHSDP = WHITE
BZSDP = BRONZE

ACCESSORIES

DLL127F 1.5 JU = PHOTOCELL -SSL
TWIST-LOCK (120-277V) ⁷
DLL347 1.5 CUL JU = PHOTOCELL -SSL
TWIST-LOCK (347V) ⁷
DLL480 1.5 CUL JU = PHOTOCELL -SSL
TWIST-LOCK (480V) ⁷
SC U = SHORTING CAP ⁷
W4GVGU = VANDAL GUARD ⁸
W4GWGU = WIRE GUARD ⁸

NOTES:

- MVOLT driver operates on any line voltage from 120- 277V (50/60 Hz). Specify 120, 208, 240 or 277 options only when ordering with fusing (SF, DF options) or photocontrol (PE).
- Not available with 10C option.
- Must specify voltage; not available with MVOLT.
- Single fuse (SF) requires 120, 277 or 347 voltage option. Double fuse (DF) requires 208, 240 or 480 voltage option.
- See the electrical section on page 2 for more details.
- Not available with 30C, 347, 480, PER, or SPD.
- Requires luminaire to be specified with PER option. Ordered and shipped as a separate line item.
- Requires field modification (only when ordered as a separate accessory).
- Casting is pre-drilled for guard. Wire Guard ships separately.

ORDER #:

TYPE:

DRAWN: BGW

DATE: 5/24/17

DWG #: W4GLED

Lumen Output

Lumen values are from photometric test in accordance with IESNA LM-79-08. Data is considered to be representative of the configurations shown, within the tolerance allowed by Lighting Facts. Actual performance may differ as a result of end-user environment and application. Contact factory for performance data on any configurations not shown here.

LED's	DRIVE CURRENT (mA)	SYSTEM WATTS	DIST. TYPE	50K (5000K, 65 CRI)				
				LUMENS	B	U	G	LPW
10C (10 LED)	1000	39W	T3M	3398	0	3	3	87
20C (20 LED)	1000	72W	T3M	7027	1	3	4	97
30C (30 LED)	1000	104W	T3M	8427	1	3	5	81

Lumen Ambient Temperature (LAT) Multipliers

Use these factors to determine relative lumen output for average ambient temperatures from 0-40°C (32-104°F).

AMBIENT		LUMEN MULTIPLIER
0° C	32° F	1.02
10° C	50° F	1.01
20° C	68° F	1.00
25° C	77° F	1.00
30° C	86° F	1.00
40° C	104° F	.98

Project LED Lumen Maintenance

Data references the extrapolated performance projections for the W4GLED 30C 1000 platform in a 25° C ambient based on 10,000 hours of LED testing (tested per IESNA LM-80-08 and projected per IESNA TM-21-11).

To calculate LLF, use the lumen maintenance factor that corresponds to the desired number of operating hours below. For other lumen maintenance values, contact factory.

Operating Hours	0	25,000	50,000	100,000
Lumen Maintenance Factor	1.0	.969	.935	.870

ELECTRICAL LOAD

LED's	DRIVE CURRENT (mA)	SYSTEM WATTS	CURRENT (A)					
			120	208	240	277	347	480
10C	1000	39W	0.36	0.21	0.18	0.16	-	-
20C	1000	72W	0.67	0.38	0.33	0.29	0.23	0.17
30C	1000	104W	0.96	0.56	0.48	0.42	0.33	0.24

FEATURES & SPECIFICATIONS

INTENDED USE

The energy savings, long life and easy-to-install design of the W4GLED make it the smart choice for building-mounted doorway and pathway illumination for nearly any facility.

CONSTRUCTION

Die-cast aluminum housing has an impact-resistant, tempered glass lens that is fully gasketed. Modular design allows for ease of maintenance. The LED driver is mounted to the front casting to thermally isolate it from the light engine for low operating temperature and long life. Housing is completely sealed against moisture and environmental contaminants.

FINISH

Exterior parts are protected by a zinc-infused Super Durable TGIC thermoset powder coat finish that provides superior resistance to corrosion and weathering. A tightly controlled multi-stage process ensures a minimum 3 mils thickness for a finish that can withstand extreme climate changes without cracking or peeling.

OPTICS

Protective glass lens covers the light engine's precision-molded proprietary acrylic lenses. Light engines are available in 4000K and 5000K configurations.

ELECTRICAL

Light engine(s) consist of 10 or 30 high-efficacy LEDs mounted to a metal-core circuit board and integral aluminum heat sink to maximize heat dissipation and promote long life (L87/100,000 hrs at 25°C). The electronic driver has a power factor of >90%, THD <20%, and a minimum 2.5 KV surge rating. When ordering the SPD option, a separate surge protection device is installed within the luminaire which meets a minimum Category C low operation (per ANSI/IEEE C62.41.2).

INSTALLATION

Back housing is separated from front housing, eliminating ballast weight and promoting easy handling. Top 3/4" threaded wiring access. Back access through removable 3/4" knockout. Feed-thru wiring can be achieved by using a conduit tee. Mount on any vertical surface. Not recommended in applications where a sprayed stream of water can come in direct contact with glass lens.

LISTINGS

UL listed for wet locations. Rated for -40°C minimum ambient. Luminaire is IP55 rated.

WARRANTY

Five year limited warranty. Complete warranty terms located at www.acuitybrands.com/CustomResources/Terms_and_conditions.aspx.

NOTE:

Actual performance may differ as a result of end-user environment and application. All values are design or typical values, measured under laboratory conditions at 25°C. Specifications subject to change without notice.

Wallpack[®] IV
GLASS LED

INFRASTRUCTURE
OUTDOOR

HOLOPHANE[®]
LEADER IN LIGHTING SOLUTIONS
An Acuity Brands Company

THIS DRAWING, WHEN APPROVED, SHALL BECOME THE COMPLETE SPECIFICATION FOR THE MATERIAL TO BE FURNISHED BY HOLOPHANE ON THE ORDER NOTED ABOVE. A UNIT OF SIMILAR DESIGN MAY BE FILED FOR THE ORDER. THE ORDER NUMBER AND DATE OF THE PRINT WILL BE SUPPLIED WITH EACH ANCHOR BOLT ORDER TO MATCH THE POLE PROVIDED. THIS PRINT IS THE PROPERTY OF HOLOPHANE AND IS LOANED SUBJECT TO RETURN UPON DEMAND AND UPON EXPRESS WRITTEN NOTICE. THIS DRAWING IS NOT TO BE REPRODUCED IN ANY WAY DETRIMENTAL TO OUR INTERESTS, AND ONLY IN CONNECTION WITH MATERIAL FURNISHED BY HOLOPHANE.

ORDER #: _____
TYPE: _____
DRAWN: BGW
DATE: 5/24/17
DWG #: W4GLED