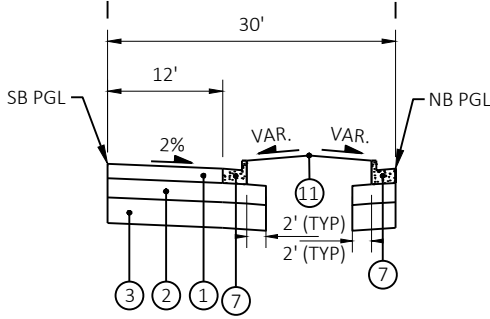


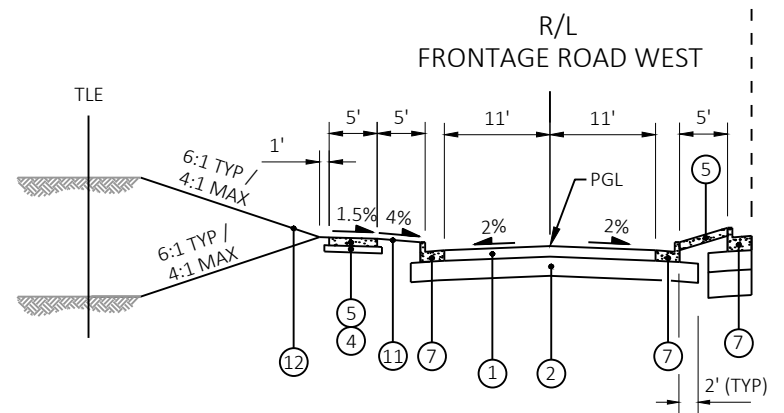
LEGEND

- ① HMA PAVEMENT - 6.75" THICKNESS  
UPPER LIFT 4 MT 58-28 S, 1 3/4"  
LOWER LIFT 3 MT 58-28 S, 2 LIFTS AT 2 1/2" EACH
- ② BASE AGGREGATE DENSE 1 1/4-INCH, 12-INCH
- ③ BREAKER RUN 16-INCH
- ④ BASE AGGREGATE DENSE 1 1/4-INCH, 4-INCH, 6' WIDTH
- ⑤ CONCRETE SIDEWALK 5-INCH
- ⑥ CONCRETE CURB & GUTTER 18-INCH TYPE D
- ⑦ CONCRETE CURB & GUTTER 30-INCH TYPE D
- ⑧ CONCRETE CURB & GUTTER 6-INCH SLOPED 36-INCH TYPE D
- ⑨ GUARDRAIL STIFFENED LHW
- ⑩ BASE AGGREGATE DENSE 1 1/4-INCH, 6-INCH
- ⑪ TOPSOIL; FERTILIZER TYPE B; SEEDING MIXTURE NO. 30; AND EROSION MAT URBAN CLASS I TYPE A
- ⑫ TOPSOIL; FERTILIZER TYPE B; SEEDING MIXTURE NO. 30; AND MULCHING

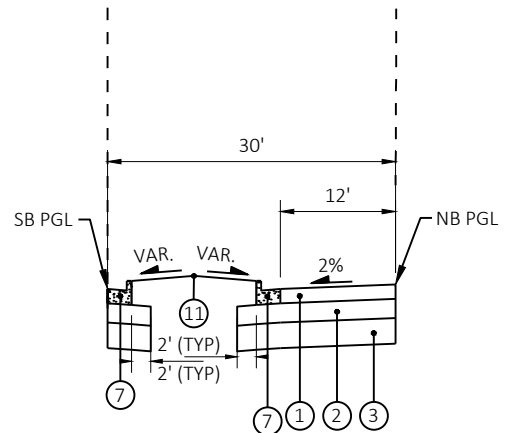
FINISHED TYPICAL SECTION USH 45



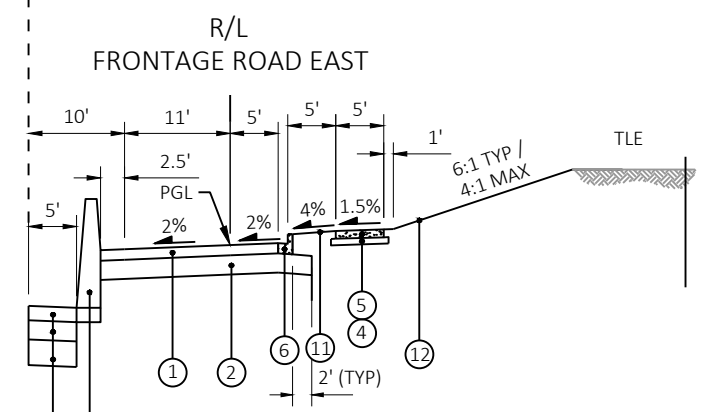
SOUTHBOUND LEFT TURN LANE DETAIL



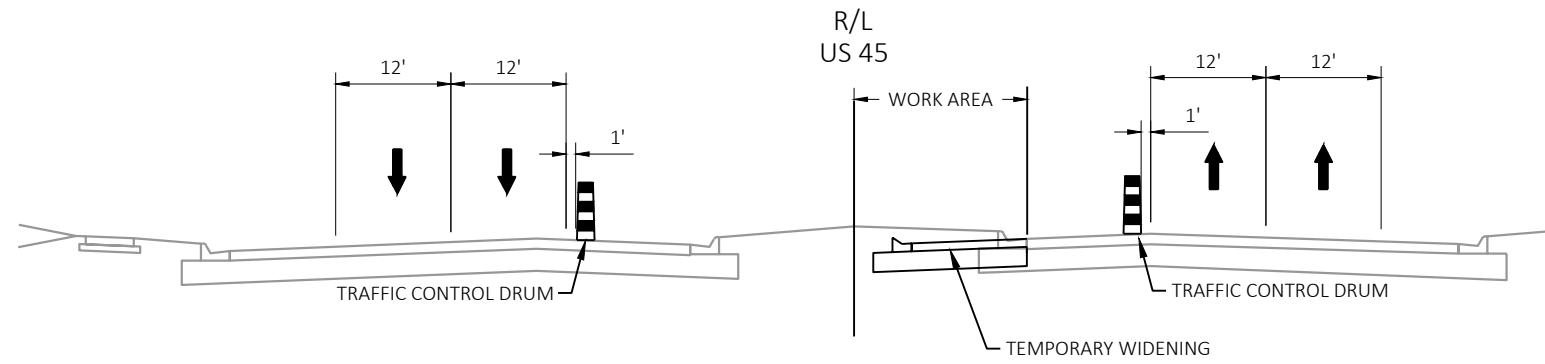
FINISHED TYPICAL SECTION FRONTAGE ROAD WEST



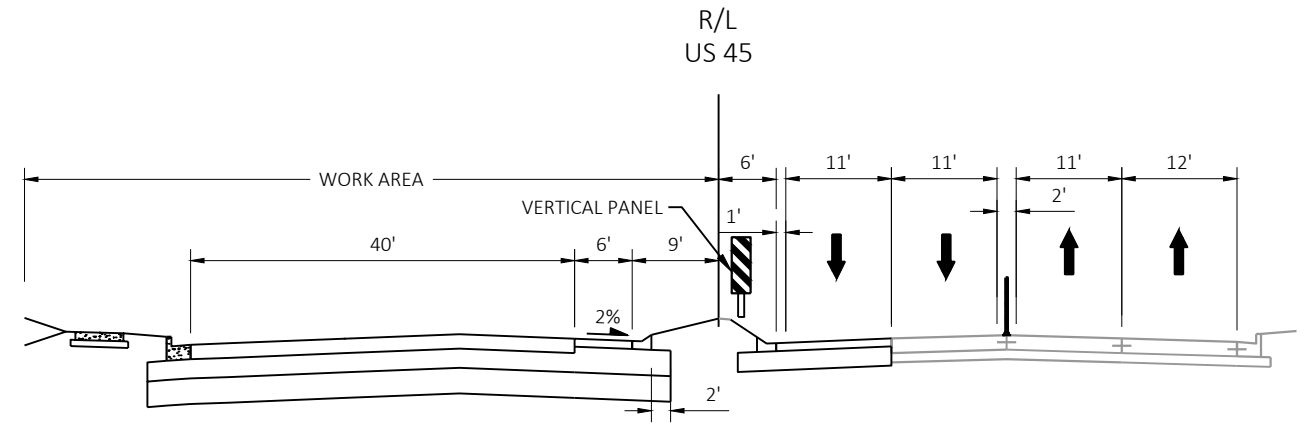
NORTHBOUND LEFT TURN LANE DETAIL



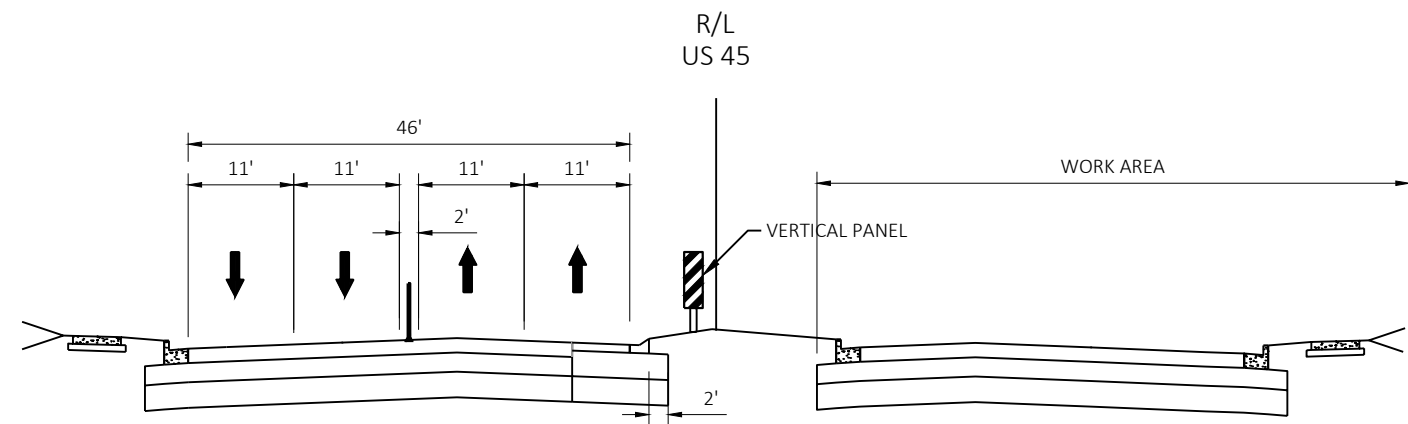
FINISHED TYPICAL SECTION FRONTAGE ROAD EAST



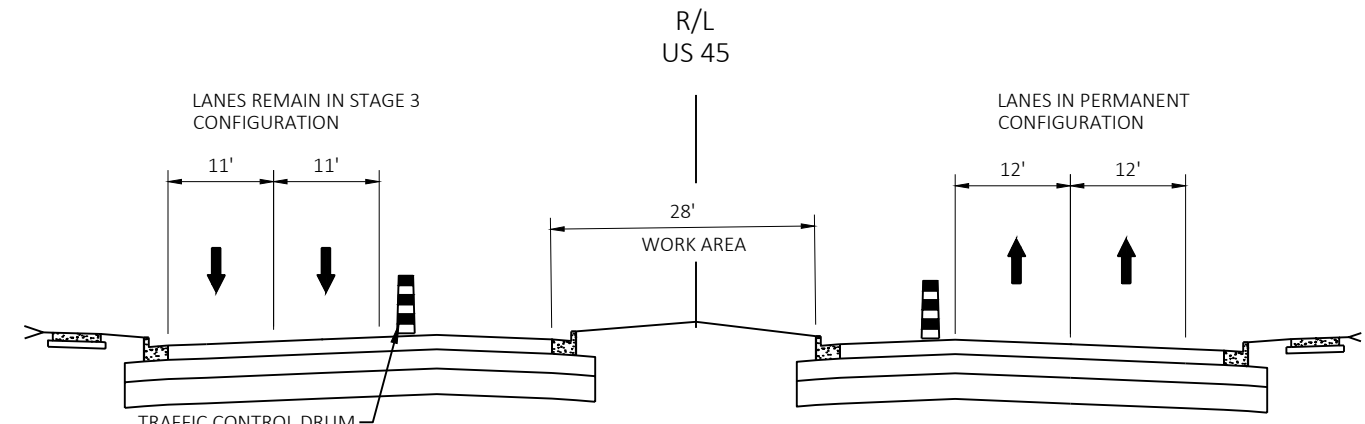
STAGE 1 TYPICAL SECTION  
US 45



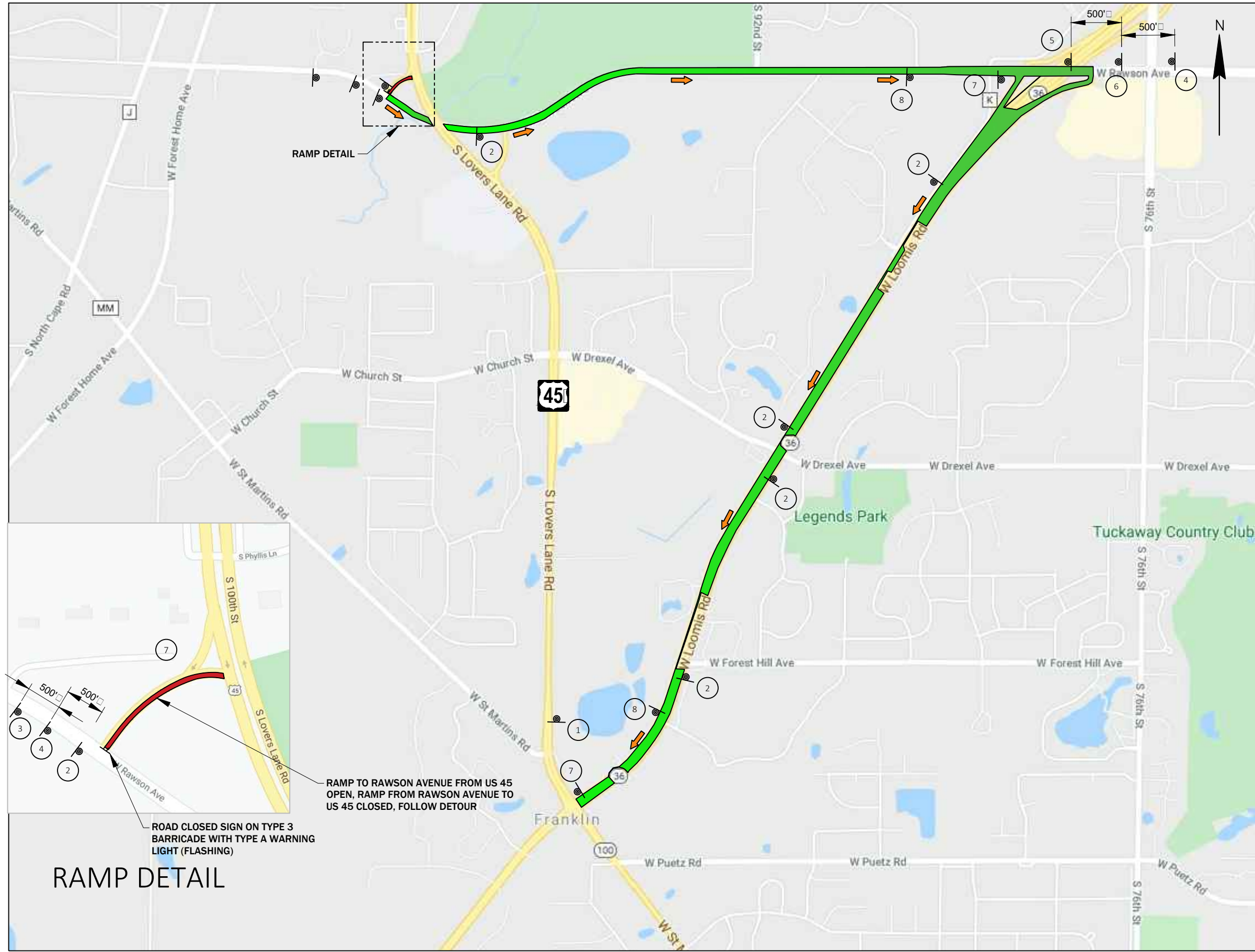
STAGE 2 TYPICAL SECTION  
US 45



STAGE 3 TYPICAL SECTION  
US 45



STAGE 4 TYPICAL SECTION  
US 45



RAMP DETAIL

RAMP TO RAWSON AVENUE FROM US 45 OPEN, RAMP FROM RAWSON AVENUE TO US 45 CLOSED, FOLLOW DETOUR

ROAD CLOSED SIGN ON TYPE 3 BARRICADE WITH TYPE A WARNING LIGHT (FLASHING)

RAMP DETAIL

GENERAL NOTES FOR DETOUR SIGNING

THE EXACT LOCATION AND SPACING OF ALL SIGNS AND DEVICES SHALL BE ADJUSTED TO FIT FIELD CONDITIONS

ALL SIGNS INAPPROPRIATE TO THE TRAFFIC CONTROL ZONE SHALL BE COVERED OR REMOVED AS SPECIFIED IN THE PLANS AND/OR AS DIRECTED BY THE ENGINEER

THE ERECTION AND PLACEMENT OF SIGNS SHALL BE IN ACCORDANCE WITH THE MANUAL ON UNIFORM TRAFFIC CONTROL DEVICES

DETOUR SIGNING SHALL BE PERFORMED BY THE CONTRACTOR

NOTES

USE SIZE 3 SIGNS ON FREEWAY.

USE SIZE 2 SIGNS ON RAMPS AND HIGHWAYS.

LEGEND

- PROPOSED SIGN AND SIGN SUPPORT
- DETOUR ROUTE
- WORK ZONE

M1-4 24"x24"	M1-6 24"x24"	M4-8 24"x12"	M4-8A 24"x18"

M6-1 21"x21"	M6-1 21"x21"	M5-1L 21"x21"	M6-2 21"x21"	M5-2R 21"x21"	MB5-1R 21"x21"

1	2	3	4

5	6	7	8