

Readstown – Richland Center Vernon Co Line to Kalish Lane

US 14

Public Involvement Meeting
Richland County, WI

Fall 2022

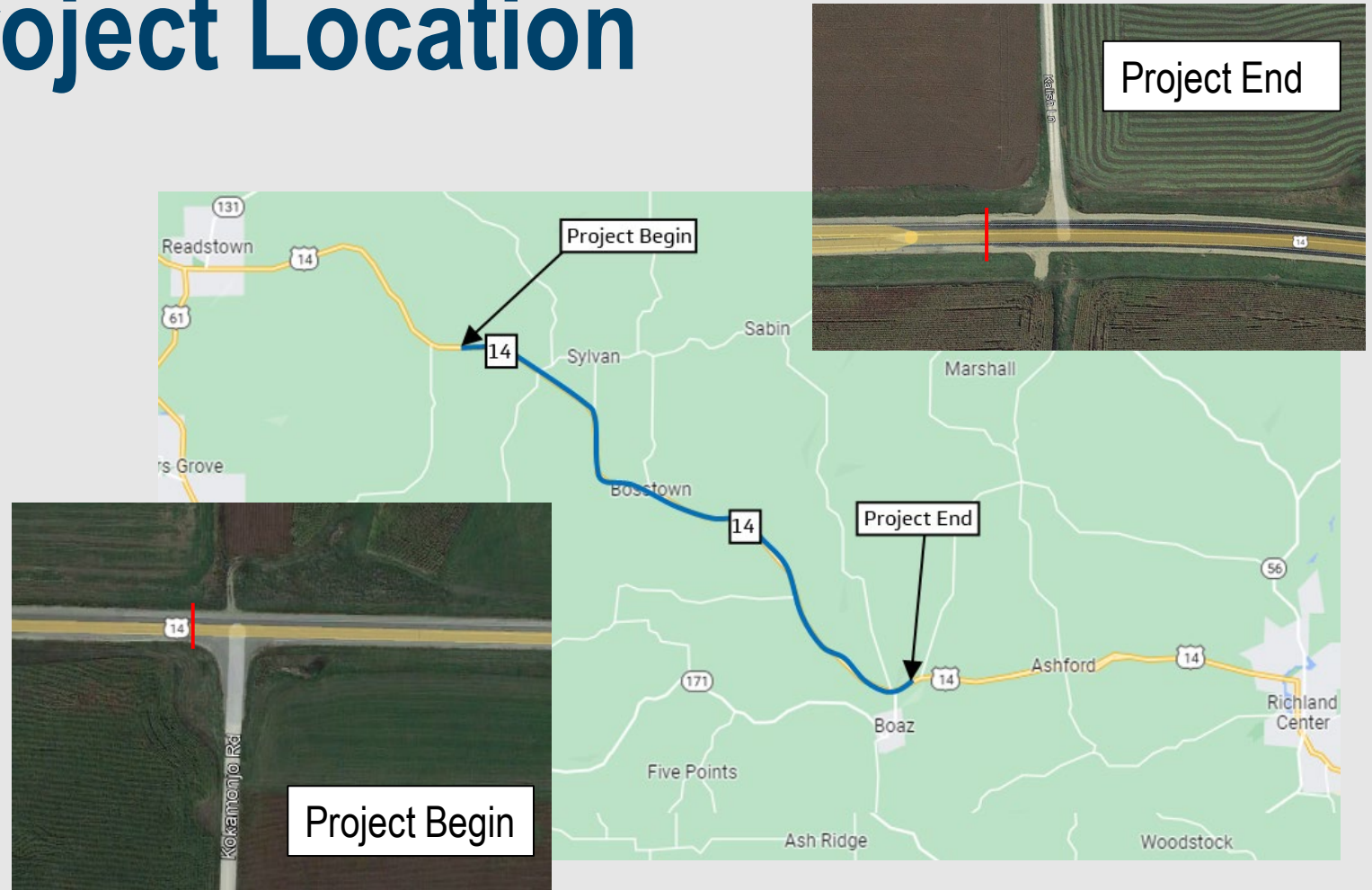
Project Agenda

- Project Limits
- Project Purpose
- Proposed Alternative
- Project Impacts
- Schedule
- Contact Information



Project Location

- US 14, Richland County
- Western Limits:
 - Vernon/Richland County Line
- Eastern Limits:
 - Kalish Lane



Project Purpose

Pavement Deterioration



Safety: Guardrail Replacement



Project Purpose

Safety: Structure Replacement

- Structure B-52-822
 - Built in 1947
 - Deteriorating components



Project Purpose

Safety: Structure Rehabilitations



B-52-139, US 14 bridge over Mill Creek



B-52-823, USH 14 bridge over W Branch of Mill Creek



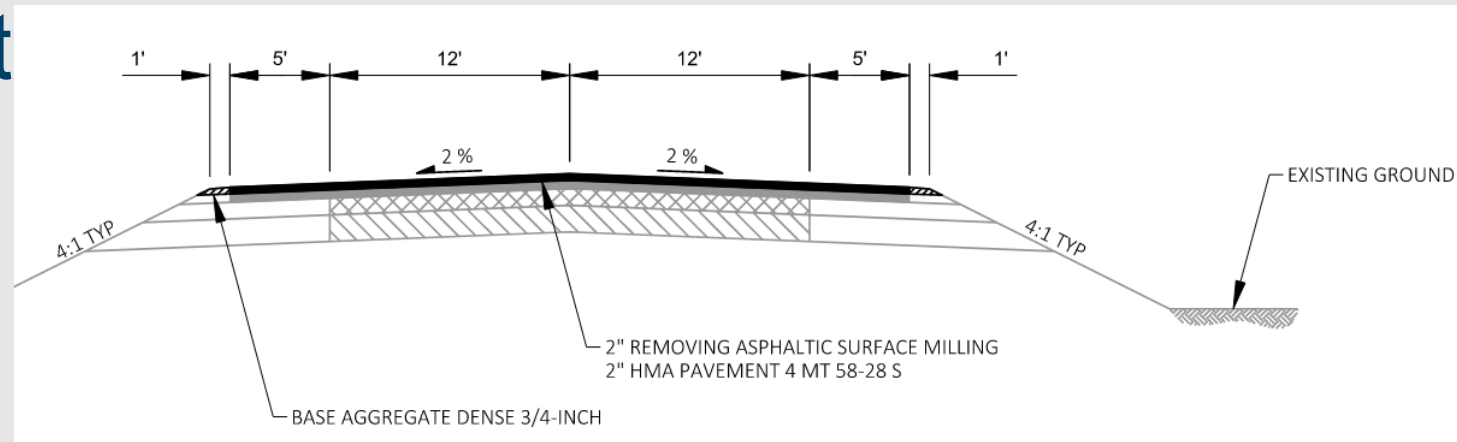
C-52-2025 Box Culvert



Proposed Alternative

Resurface US 14, replace & repair structures

- Mill 2-inches off existing surface, pave new asphalt
- Replace/adjust guardrail
- Replace B-52-822
- Repair B-52-823, B-52-0139, C-52-2025



Repair B-52-0823

- Paint girders, repair concrete surface



Repair C-52-2025

- Extend culvert



Repair B-52-0139

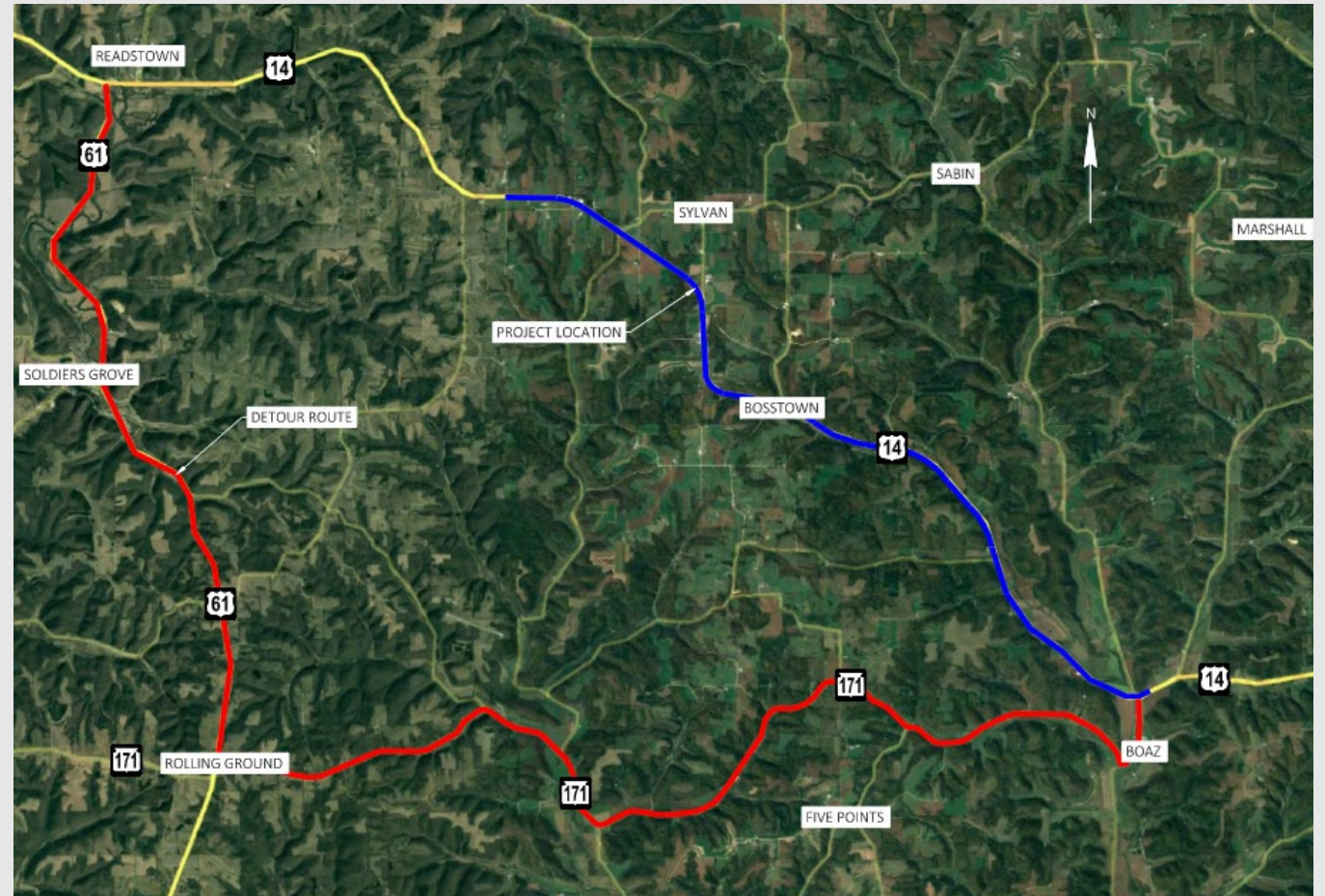
- Repair superstructure



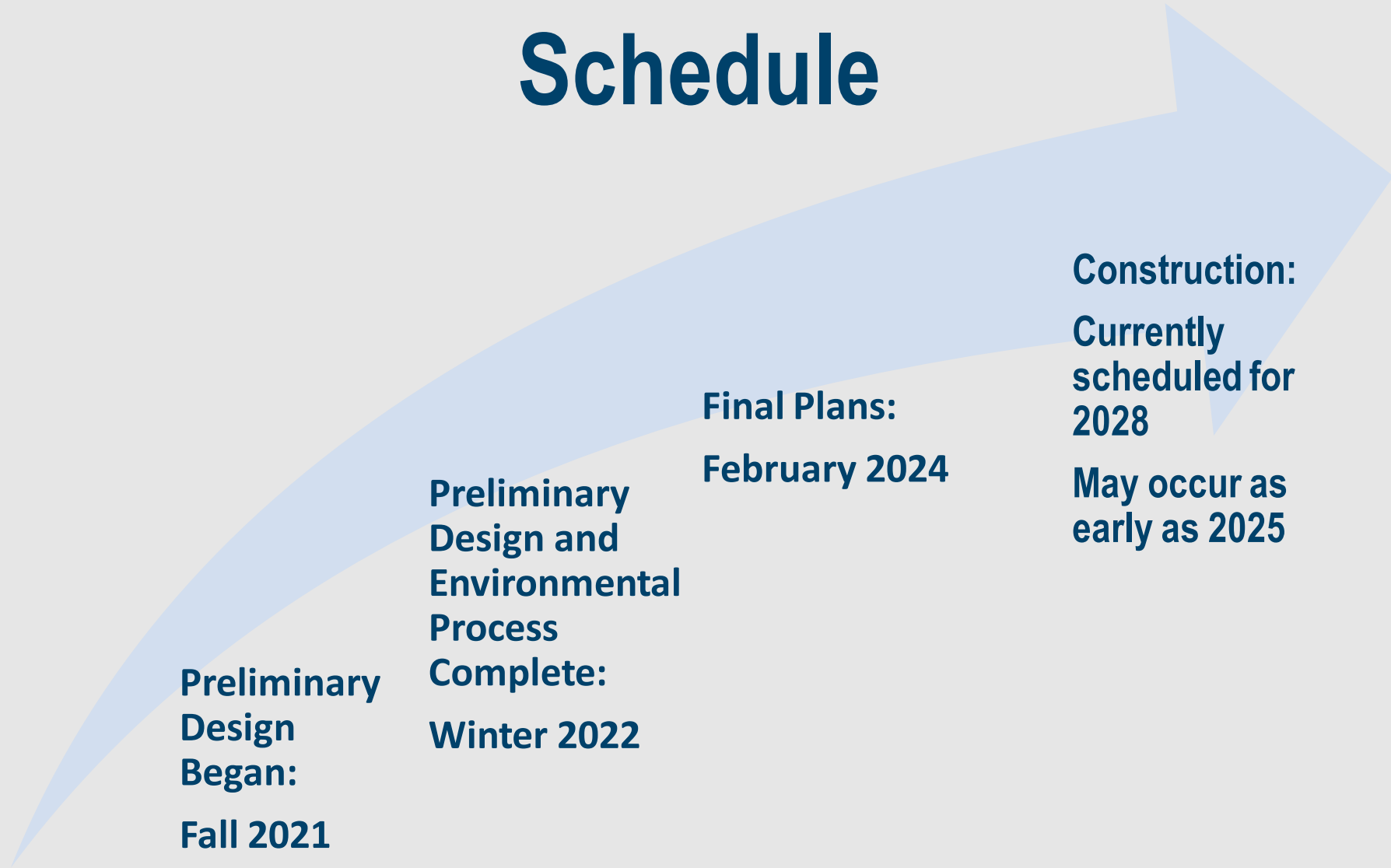
Project Impacts

Traffic

- Access maintained to all properties and businesses
- Temporary flagging for roadway construction
- Detour for structure replacement



Schedule



Contact Information

Kevin Meyer, PE

Project Manager
CORRE, Inc

1802 Warden St
Eau Claire, WI 54703

kmeyer@correinc.com

(608) 826-6121

John Bainter, PE

Project Manager
WisDOT

3550 Mormon Coulee Rd
La Crosse, WI 54601

John.Bainter@dot.wi.gov

(608) 785-9729

Michael Bie

Communications Manager
WisDOT

3550 Mormon Coulee Rd
La Crosse, WI 54601

Michael.Bie@dot.wi.gov

(608) 246-7928

