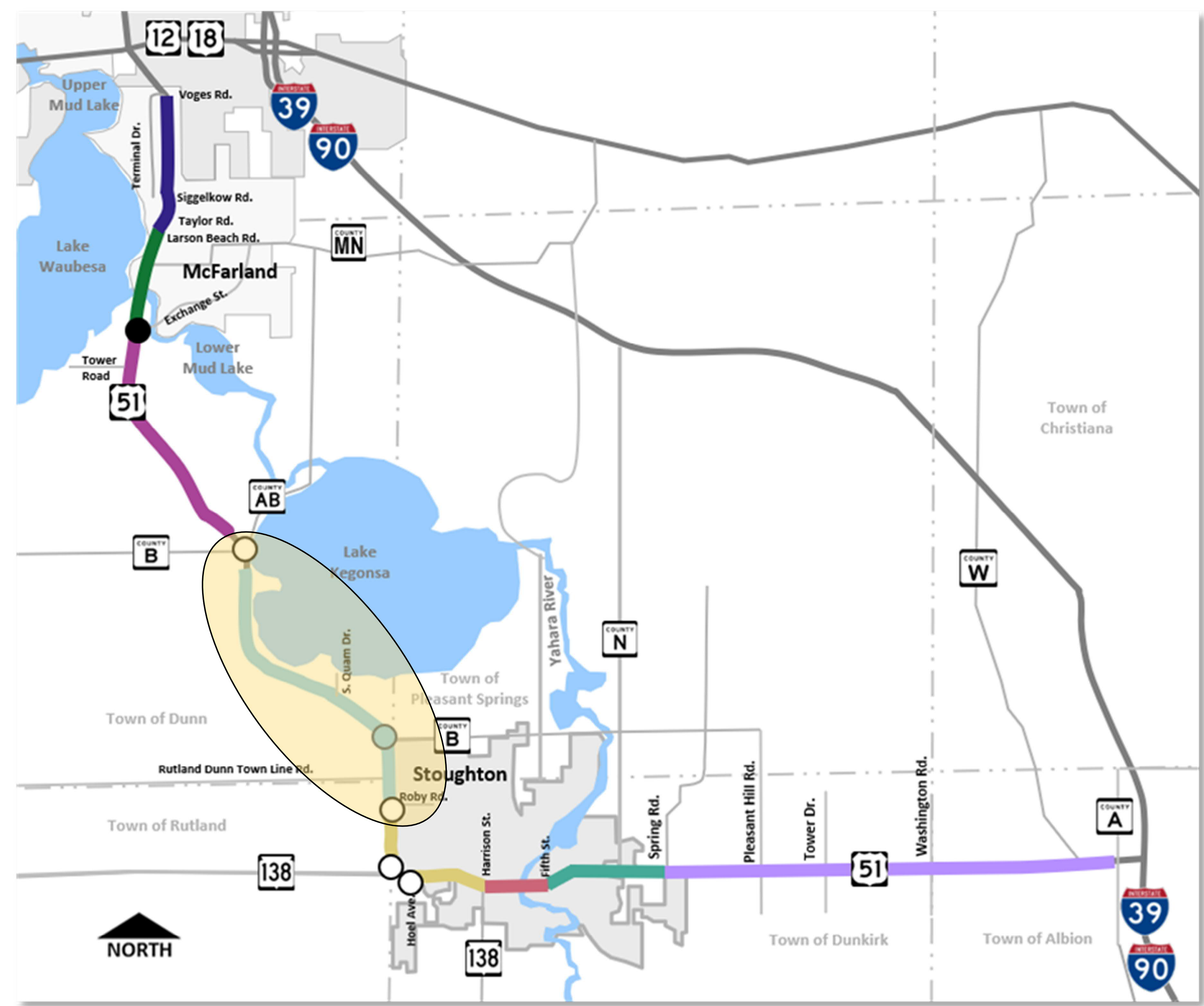
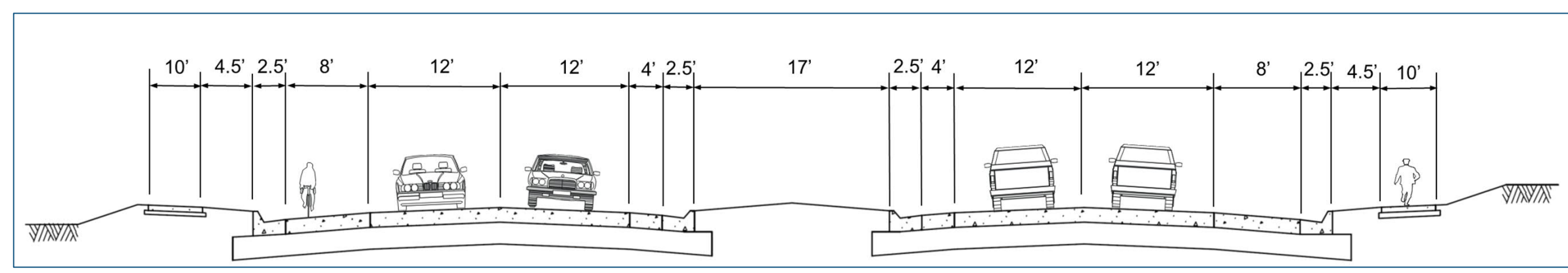


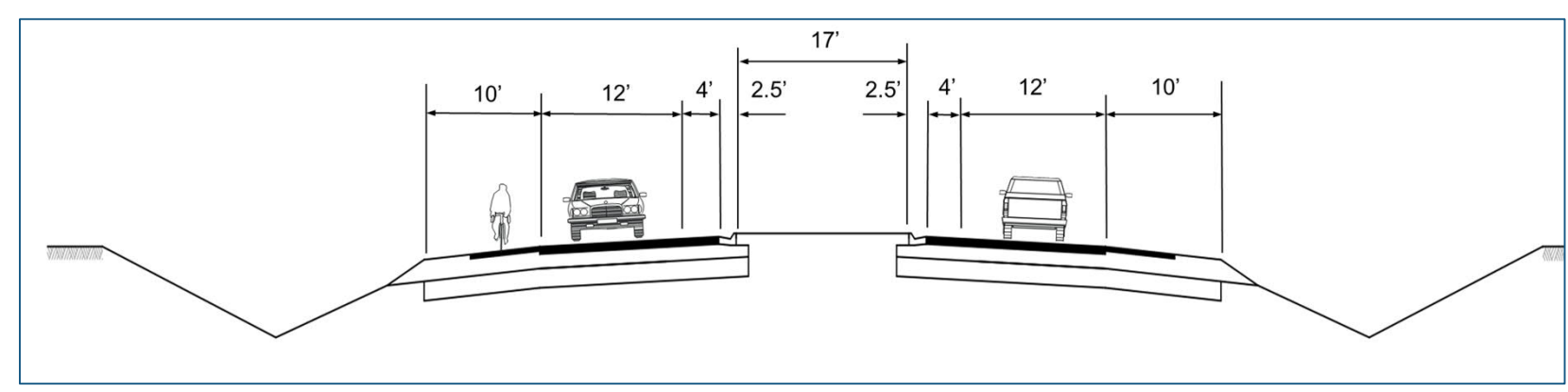
Rural Area – Roby Road to County B/AB



- Project highlights
 - Roby Road to County B (east)
 - Expand existing 2-lane rural section to a 4-lane urban section
 - Provide a 10-foot-wide sidewalk on both sides of US 51
 - County B (east)
 - Construct a roundabout
 - County B (east) to County B/AB
 - Reconstruct existing 2-lane rural section to add a continuous median
 - Intersection improvements
- Anticipated traffic control
 - Roby Road to South Quam Drive
 - Open to through traffic (bi-directional)
 - South Quam Drive to County B/AB
 - Closed (local traffic only; US 51 detour)
- Earliest anticipated construction year
 - 2026

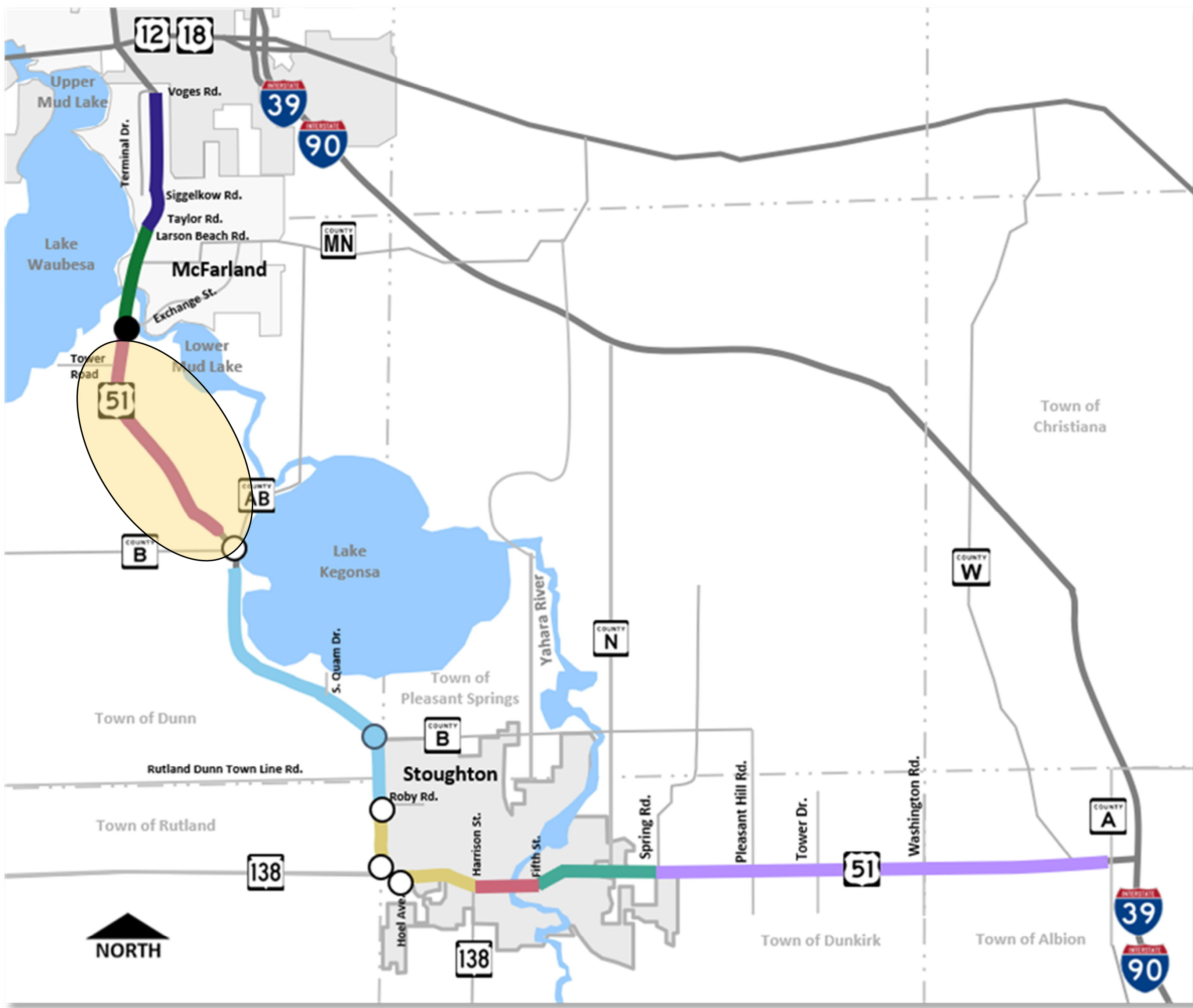


Proposed Typical Section:
Roby Road to County B (east)

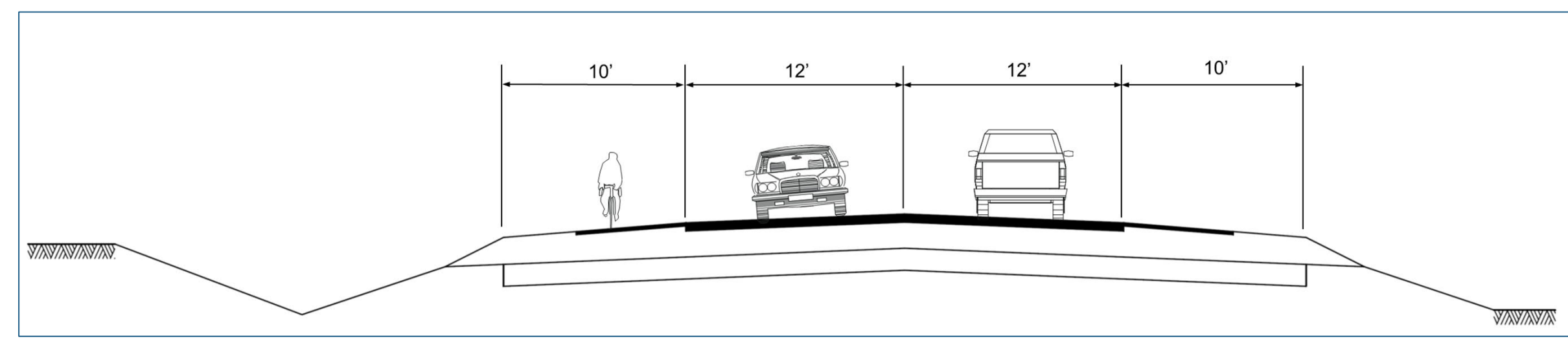


Proposed Typical Section:
County B (east) to County B/AB

Rural Area – County B/AB to Tower Road

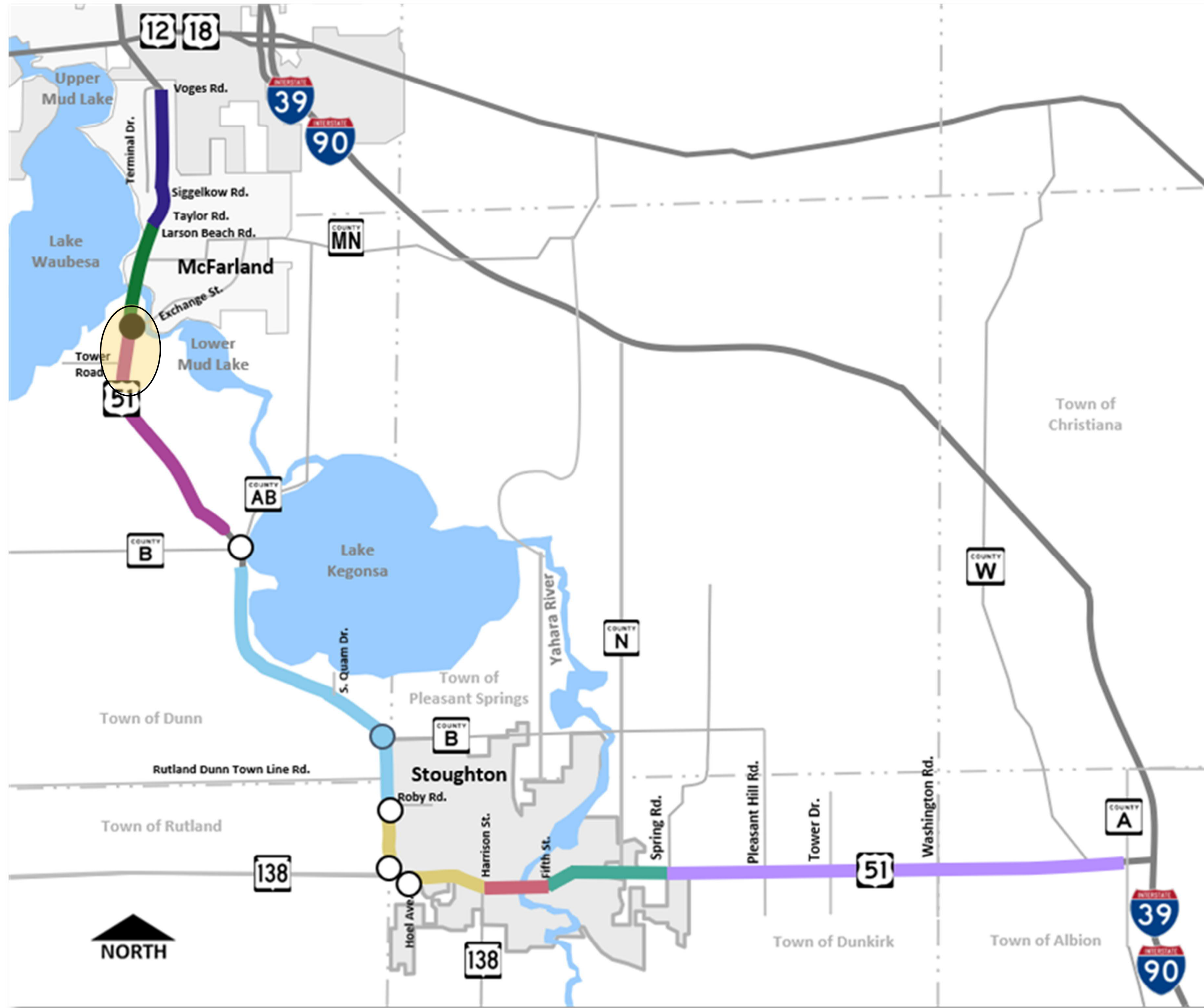


- Project highlights
 - Reconstruct 2-lane rural section
 - Intersection improvements
- Anticipated traffic control
 - Closed (local traffic only; US 51 detour)
- Earliest anticipated construction year
 - 2027



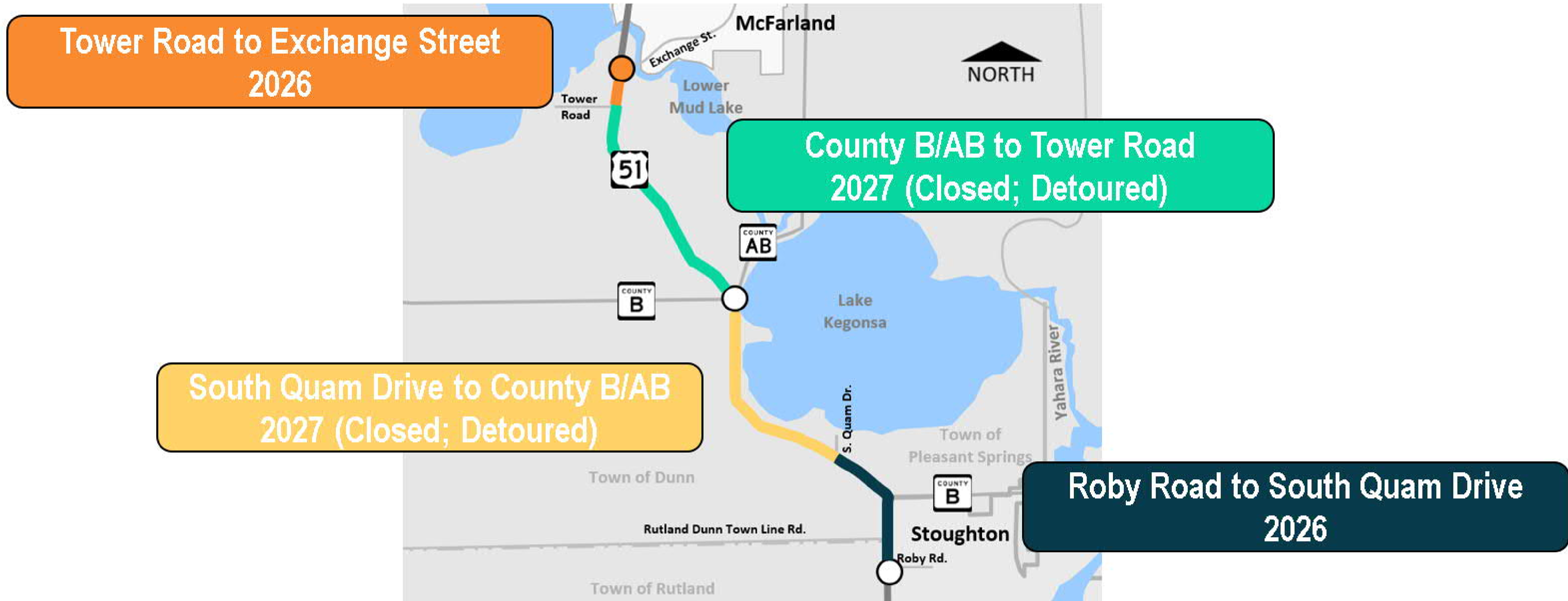
Proposed Typical Section

Rural Area – Tower Road to Exchange Street



- Project highlights
 - Roundabout at Exchange Street
 - Seeking input on the intersection control at Tower Road
- Anticipated traffic control
 - Open to through traffic (bi-directional)
- Earliest anticipated construction year
 - 2026

- Earliest anticipated construction years



Note: Years shown are subject to change depending on funding