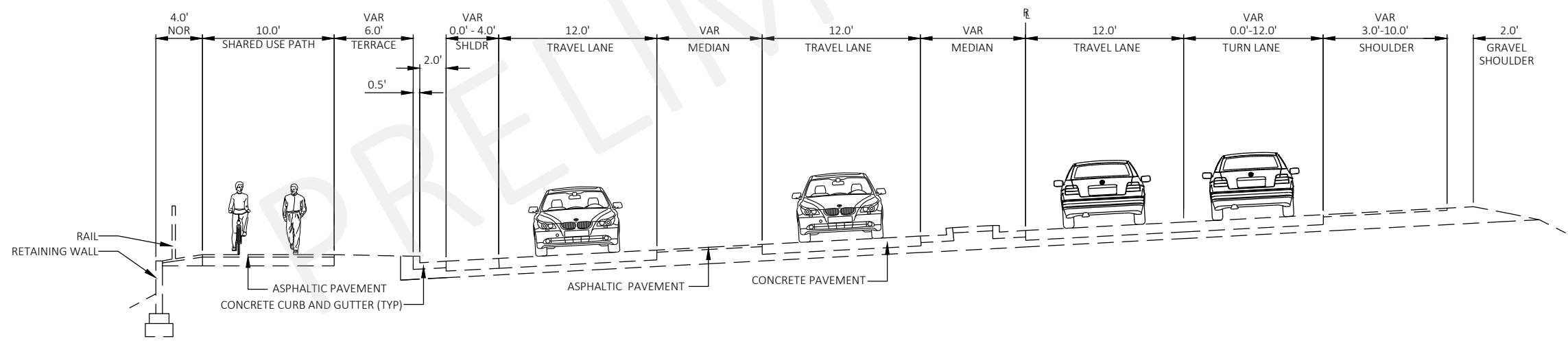


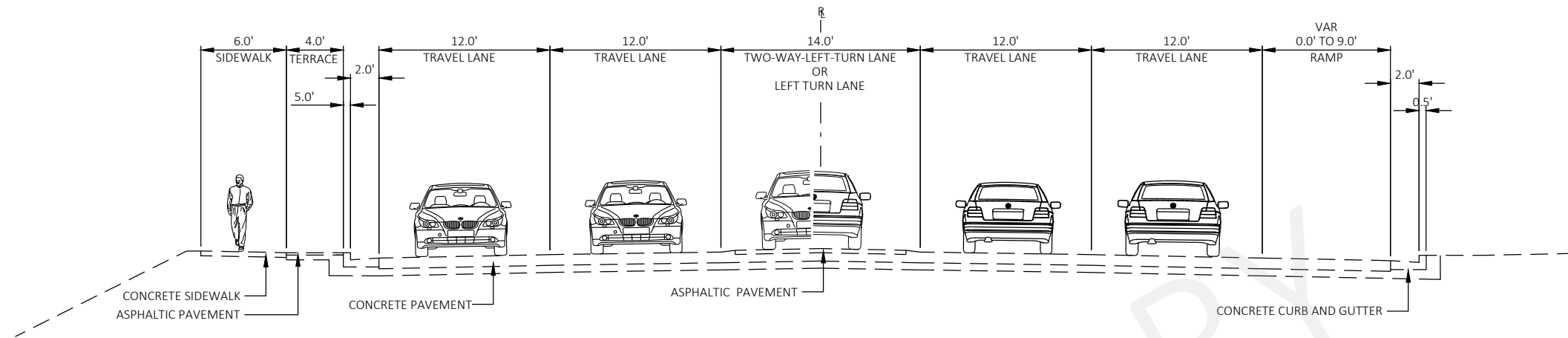
TYPICAL EXISTING SECTION
 WIS 35
 LA CROSSE CO LINE TO SUNNYSIDE DRIVE



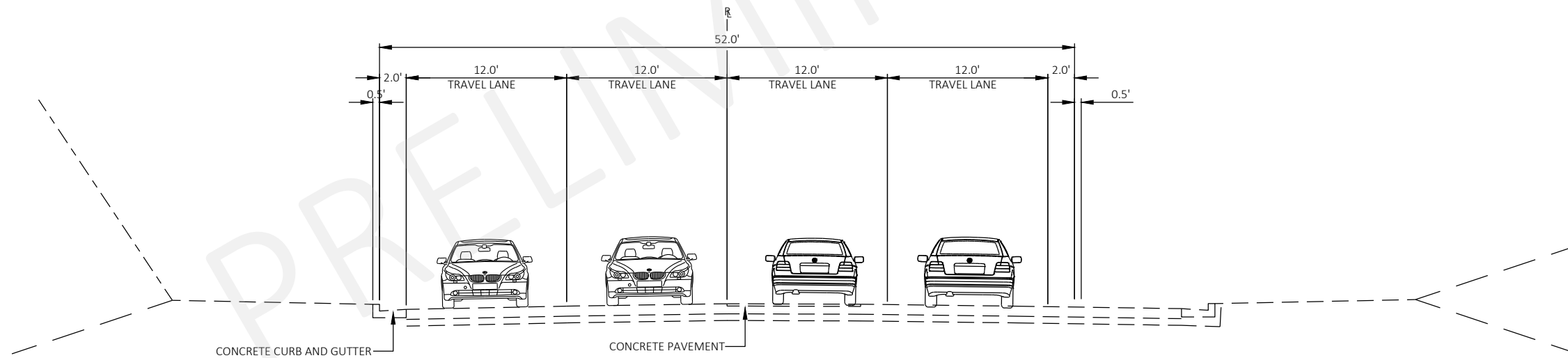
TYPICAL EXISTING SECTION
 WIS 35
 SUNNYSIDE DRIVE TO US 14/US 61

WIS 35
LA CROSSE CO LINE TO GARNER PLACE
LA CROSSE COUNTY

STATE ID's 5163-07-02
 PUBLIC INVOLVEMENT MEETING #2
 FEBRUARY 6, 2020



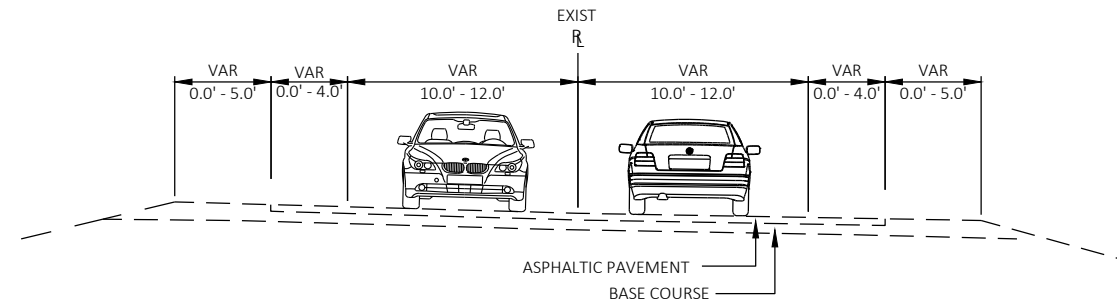
TYPICAL EXISTING SECTION
WIS 35
NORTH OF US 14/US 61



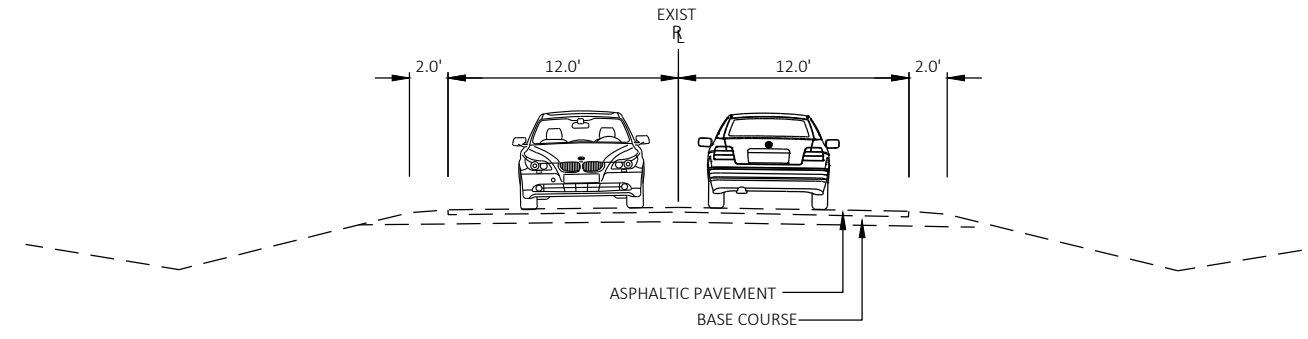
TYPICAL EXISTING SECTION
US 14/US 61

WIS 35
LA CROSSE CO LINE TO GARNER PLACE
LA CROSSE COUNTY

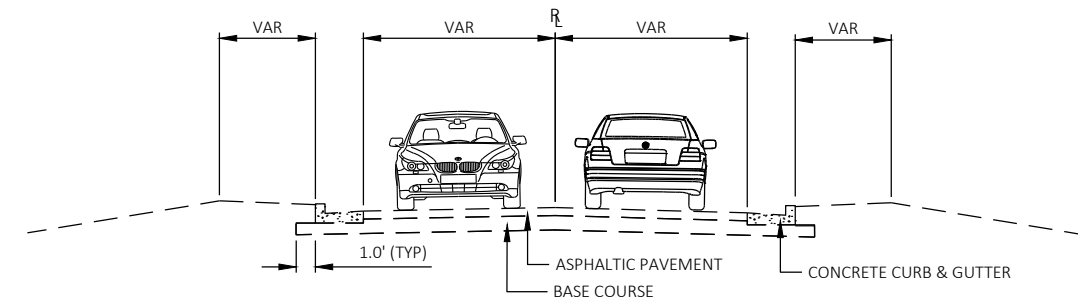
STATE ID's 5163-07-02
PUBLIC INVOLVEMENT MEETING #2
FEBRUARY 6, 2020



TYPICAL EXISTING SECTION
COUNTY GI



TYPICAL EXISTING SECTION
COUNTY K

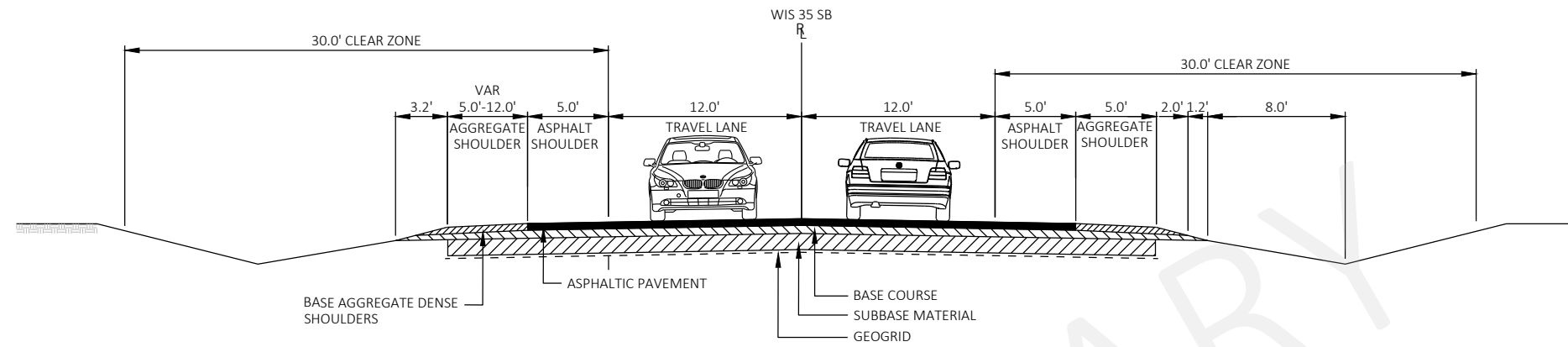


TYPICAL EXISTING SECTION - SIDE ROADS

- CALVERT RD
- FIRECLAY CT
- GARNER PL
- OLD TOWN HALL RD
- RIVERVIEW DR

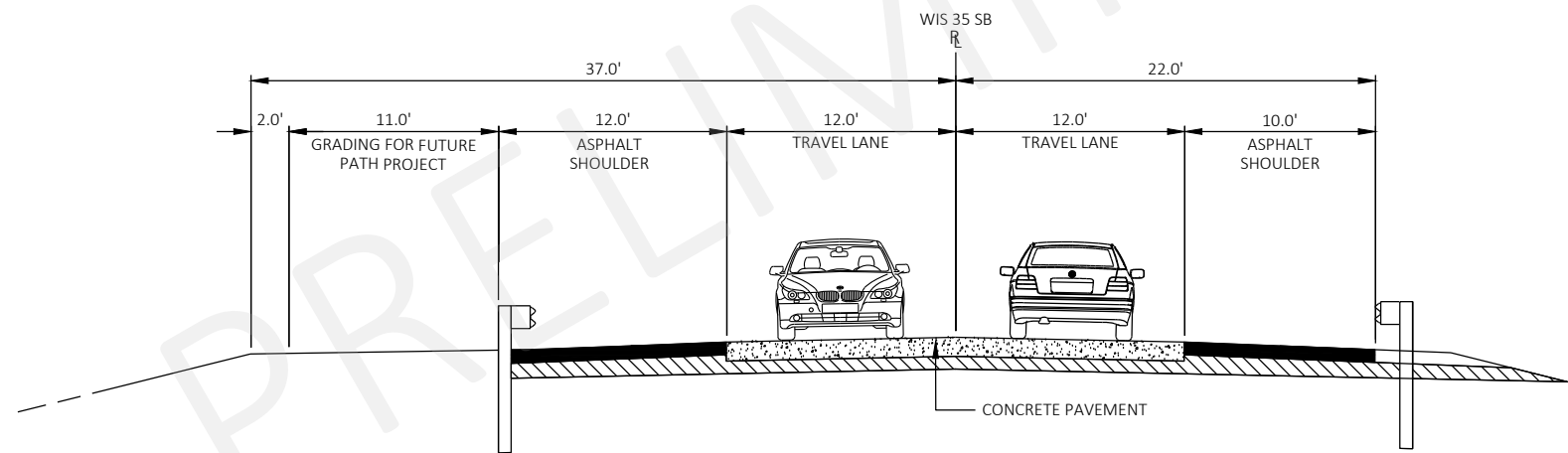
WIS 35
LA CROSSE CO LINE TO GARNER PLACE
LA CROSSE COUNTY

STATE ID's 5163-07-02
PUBLIC INVOLVEMENT MEETING #2
FEBRUARY 6, 2020



TYPICAL FINISHED SECTION

WIS 35
LA CROSSE CO LINE TO COUNTY K

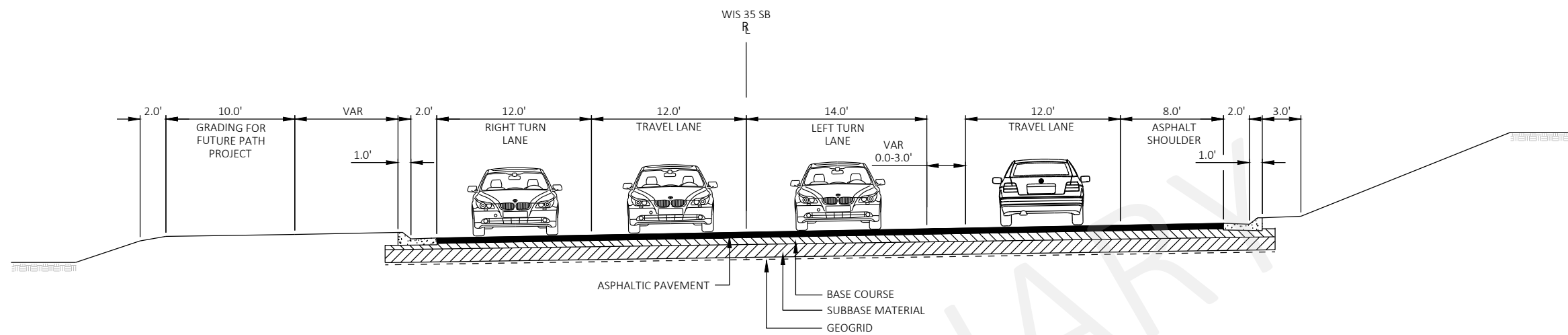


TYPICAL FINISHED SECTION

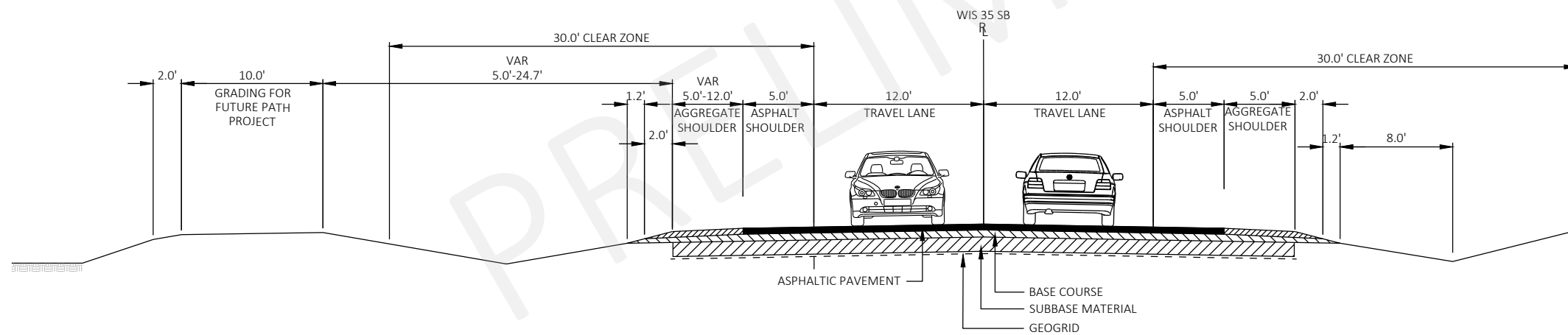
WIS 35
BEAMGUARD BY BRIDGE OVER MORMON CREEK

WIS 35
LA CROSSE CO LINE TO GARNER PLACE
LA CROSSE COUNTY

STATE ID's 5163-07-02
PUBLIC INVOLVEMENT MEETING #2
FEBRUARY 6, 2020



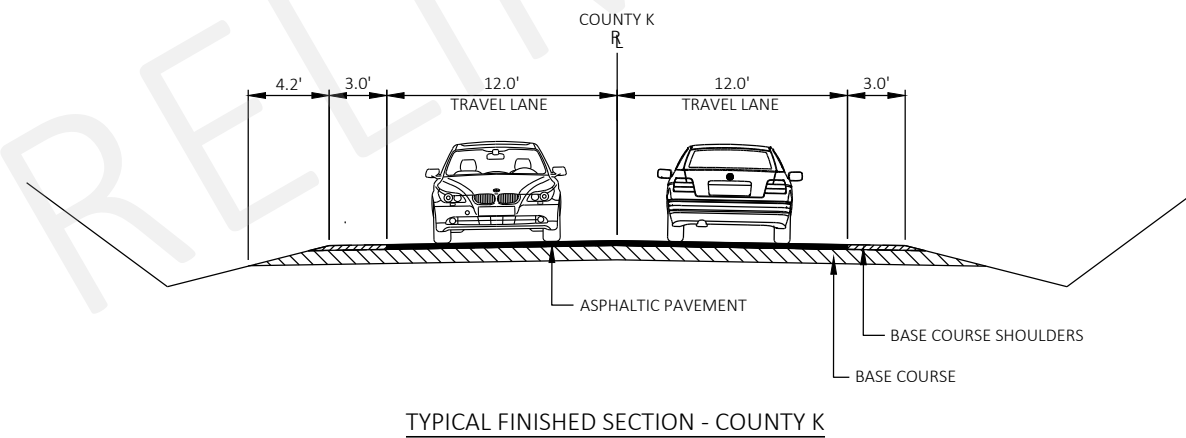
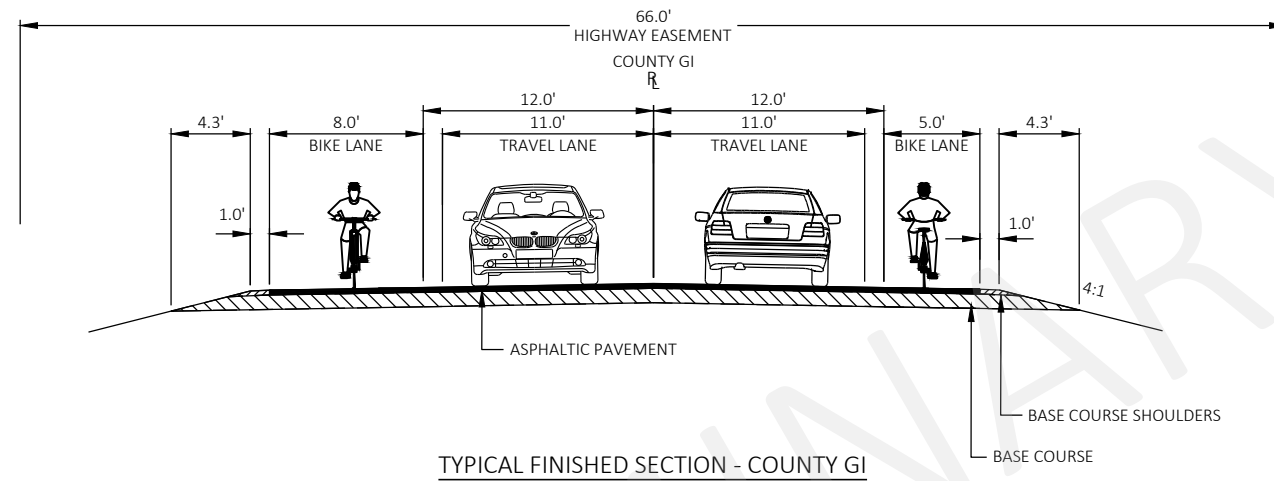
TYPICAL FINISHED SECTION
WIS 35
TURN LANES AT COUNTY K



TYPICAL FINISHED SECTION
WIS 35
COUNTY K TO SUNNYSIDE DR

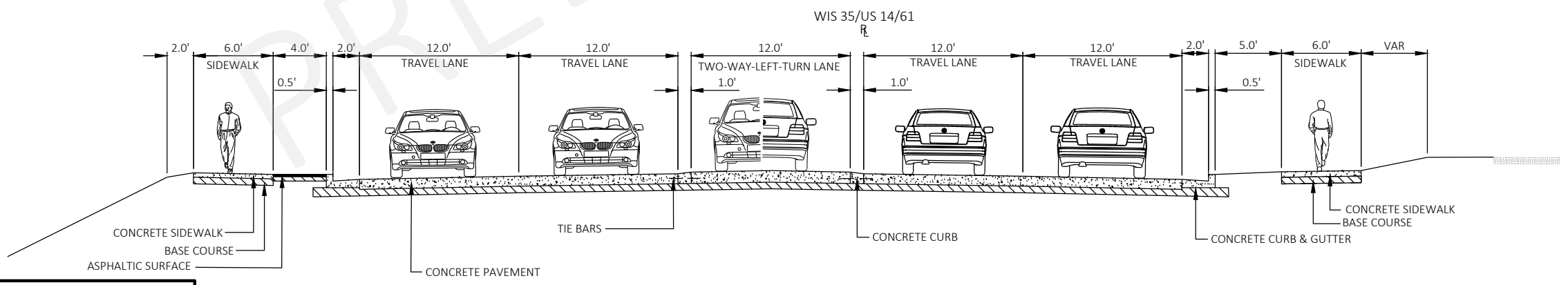
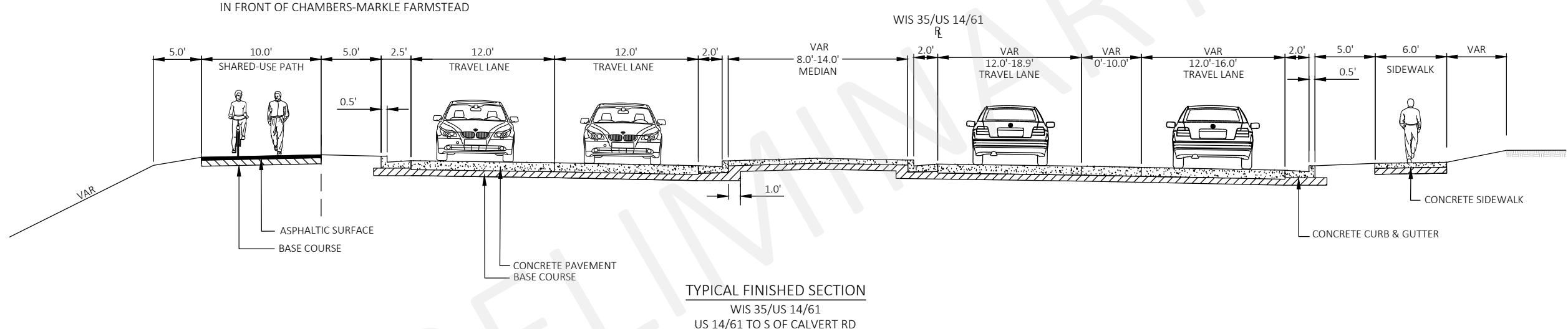
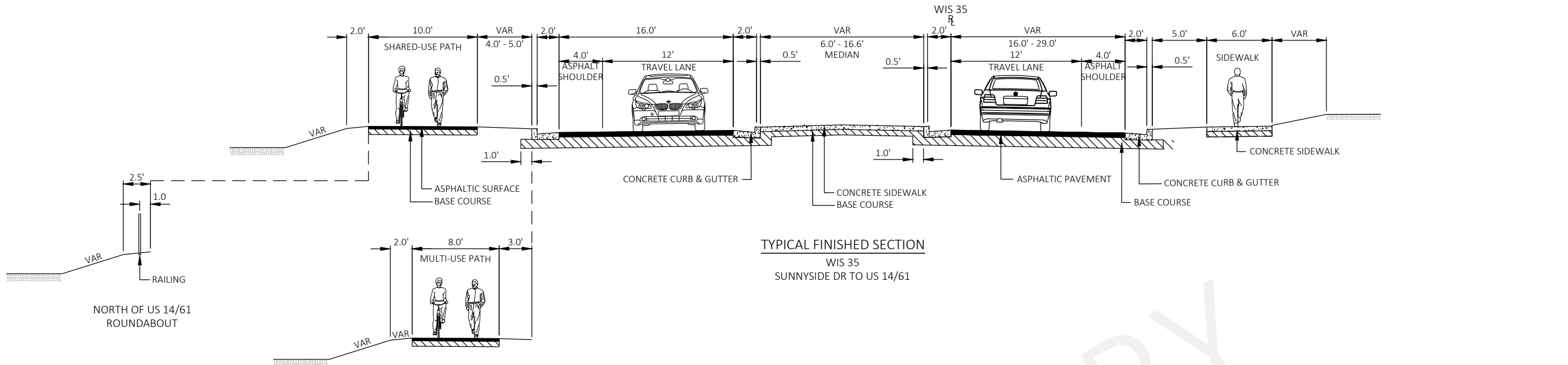
WIS 35
LA CROSSE CO LINE TO GARNER PLACE
LA CROSSE COUNTY

STATE ID's 5163-07-02
PUBLIC INVOLVEMENT MEETING #2
FEBRUARY 6, 2020



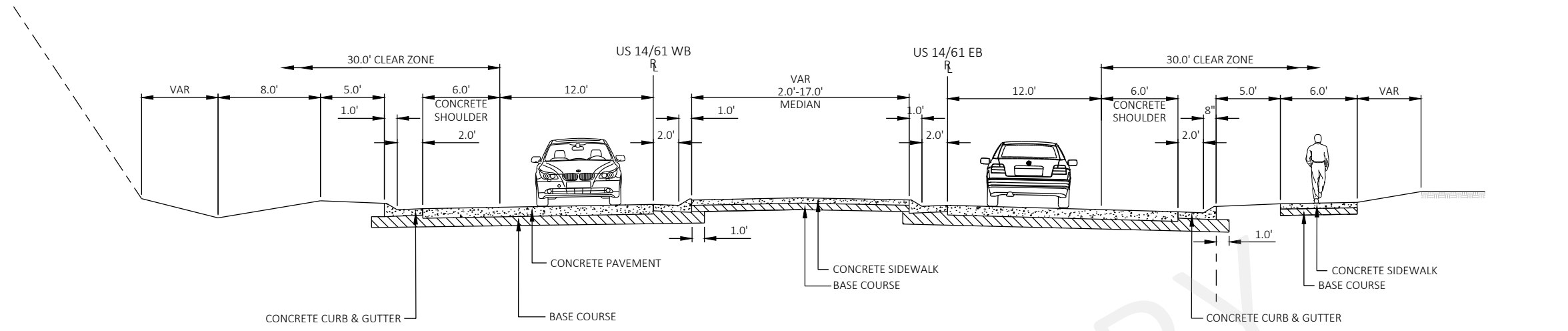
WIS 35
LA CROSSE CO LINE TO GARNER PLACE
LA CROSSE COUNTY

STATE ID's 5163-07-02
PUBLIC INVOLVEMENT MEETING #2
FEBRUARY 6, 2020



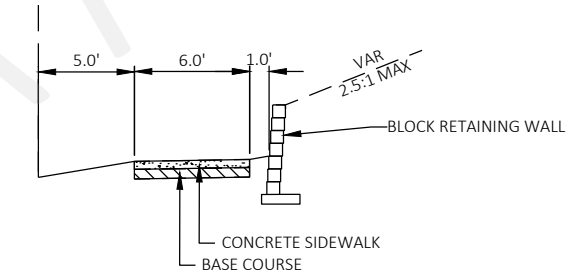
WIS 35
LA CROSSE CO LINE TO GARNER PLACE
LA CROSSE COUNTY

STATE ID's 5163-07-02
PUBLIC INVOLVEMENT MEETING #2
FEBRUARY 6, 2020

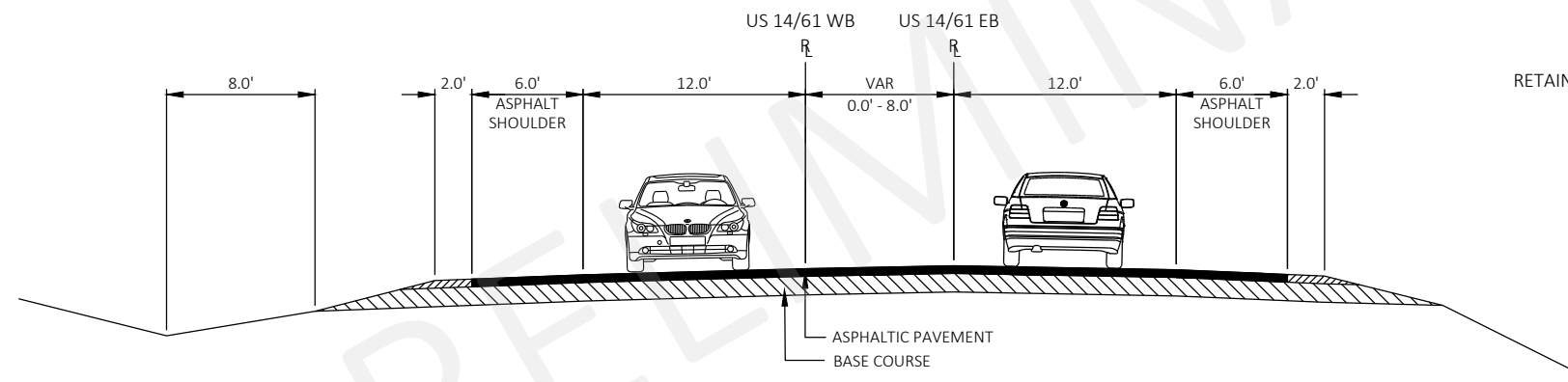


TYPICAL FINISHED SECTION

US 14/61
WIS 35/US 14/61 TO FIRECLAY CT

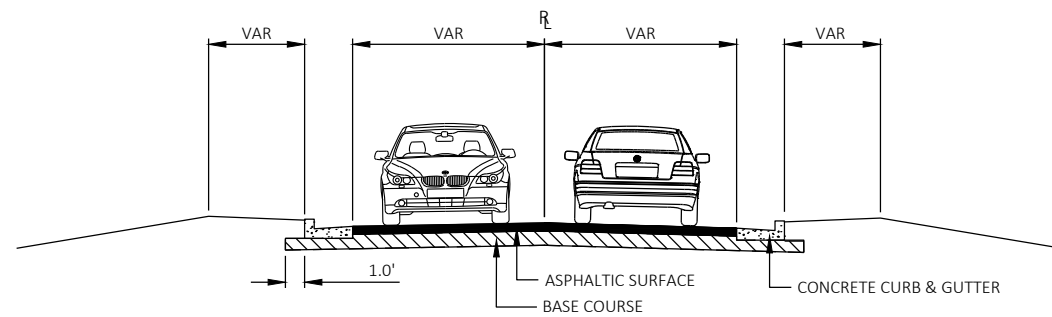


RETAINING WALL SOUTH OF FIRECLAY CT



TYPICAL FINISHED SECTION

US 14/61
FIRECLAY CT TO EAST PROJECT LIMITS



TYPICAL FINISHED SECTION - SIDE ROADS

CALVERT RD
FIRECLAY CT
GARNER PL
OLD TOWN HALL RD
RIVERVIEW DR

WIS 35
LA CROSSE CO LINE TO GARNER PLACE
LA CROSSE COUNTY

STATE ID's 5163-07-02
PUBLIC INVOLVEMENT MEETING #2
FEBRUARY 6, 2020