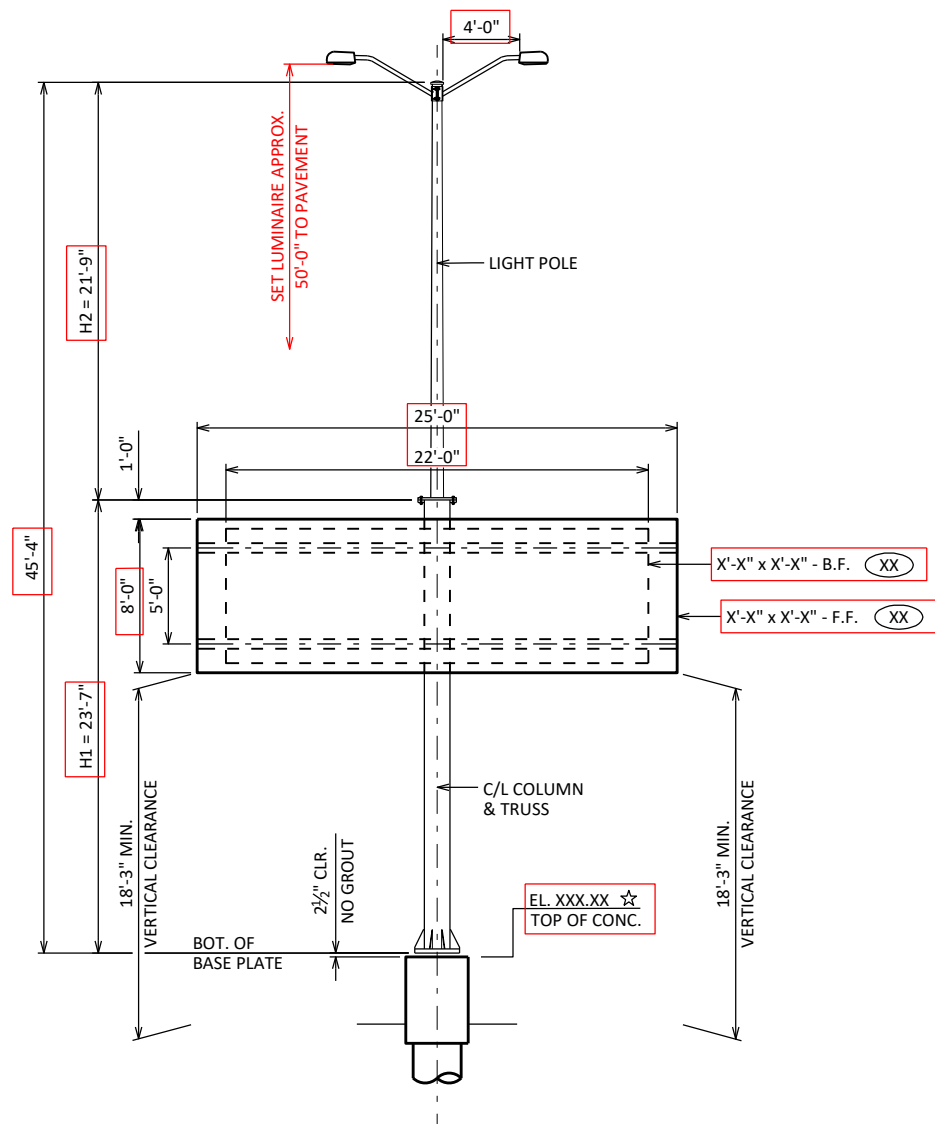


**PLAN**

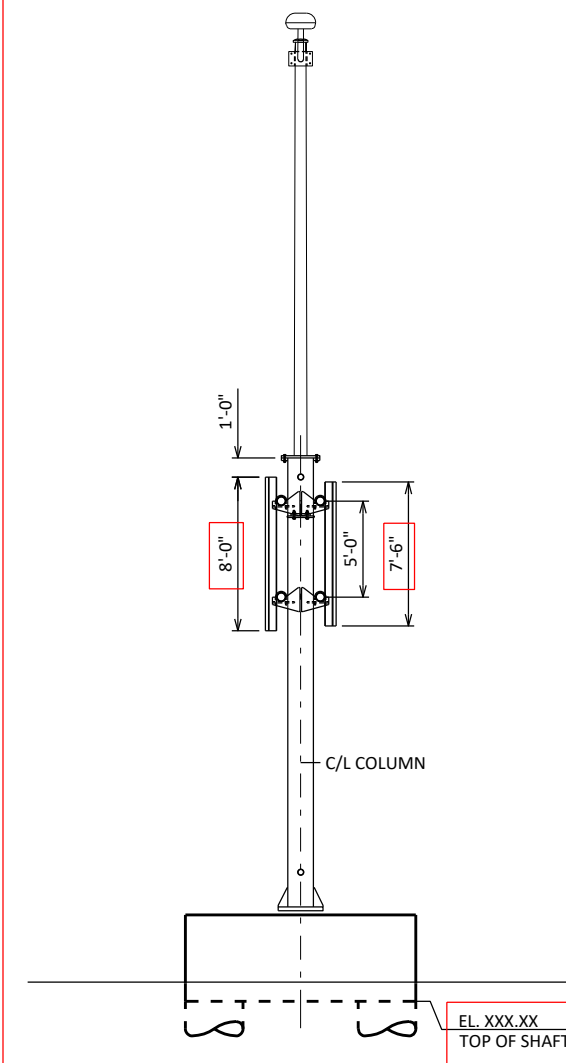
UPDATE CHORD, SIGN AND POLE MEMBERS AS NEEDED TO MATCH DESIRED SPAN

STA. XXX+00 (HIGHWAY AND DIRECTION)  
GENERAL LOCATION DESCRIPTION  
(EX. ¼" MILE S. OF CAPITOL DR.)



**ELEVATION**

LOOKING (DIRECTION) AT F.F. OF SIGN



**END VIEW**

LOOKING (DIRECTION) AT END OF SIGN

**LOCATION MAP**

**DESIGNER NOTES:**

PROVIDE PLAN, ELEVATION, AND END VIEWS. UPDATE LOCATION MAP, AND TITLE BLOCK INFO AS APPROPRIATE FOR YOUR PROJECT. INCLUDE RELEVANT DIMENSIONS TO REFERENCE LINES, CROSS SECTION AND LANE, SHOULDER WIDTH, SLOPE ELEVATIONS, ETC. AS APPROPRIATE.

RED BOXES INDICATE DATA TO BE UPDATED FOR EACH STRUCTURE.

**LEGEND**

CENTER SIGNS ON COLUMN

☆ ELEVATIONS ALONG C/L OF TRUSS.

SIGN NUMBER, SEE PERMANENT SIGNING PLAN.

▲ POINT OF MIN. VERTICAL CLEARANCE  
STA. XXX+XX.XX, XX.XX' LF/RT.  
ELEV. XXX.XX

NO.	DATE	REVISION	BY
STATE OF WISCONSIN DEPARTMENT OF TRANSPORTATION			
<b>STRUCTURE</b>		<b>S-XX-XXXX</b>	
DRAWN BY		PLANS CK'D	
<b>LAYOUT</b>		SHEET	

SCALE =