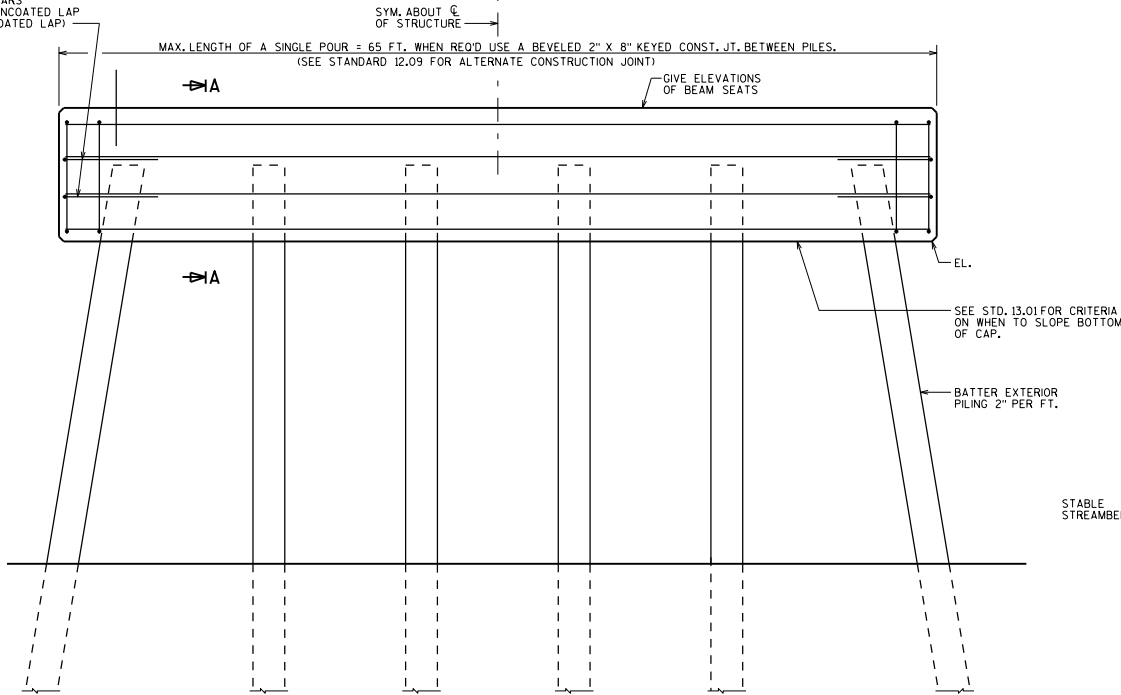
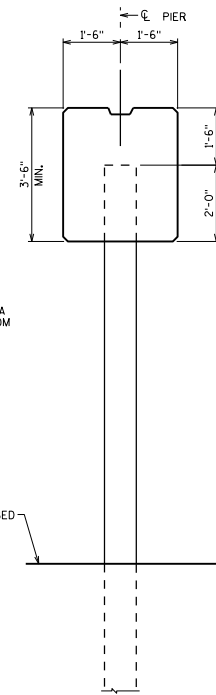


*5 U-BARS
(1'-5" UNCOATED LAP
1'-9" COATED LAP)



ELEVATION
LOOKING UP STATION



END VIEW

NOTES

PILES SHALL BE PAINTED IN ACCORDANCE WITH SECTION 550.3.11.3 OF THE STANDARD SPECIFICATIONS.

DESIGNER NOTES

ALL BAR SPLICES TO BE BASED ON "CLASS C" TENSION LAP SPLICE UNLESS OTHERWISE SHOWN.

BEARING SEAT AREAS SHALL BE LEVEL EXCEPT FOR THE TWO CASES LISTED BELOW:

1. FOR GIRDERS WITH 1/2" ELASTOMERIC BEARING PADS WHEN THE BOTTOM OF THE GIRDERS SLOPE MORE THAN 1%. SEE STANDARD 13.01.
2. FOR CONCRETE SLAB SUPERSTRUCTURES MAKE THE TOP OF THE CAP PARALLEL TO GRADE. SEE STANDARD 18.01.

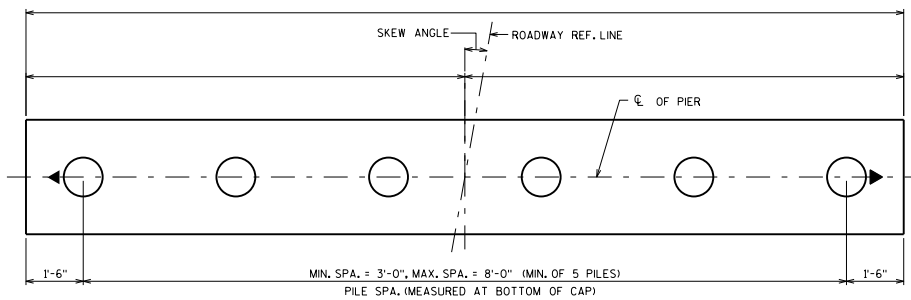
BEAM SEATS MAY BE ANGLED TO MATCH SKEW AT THE DESIGN ENGINEER'S DISCRETION.

SEE STANDARD 12.01 FOR ADDITIONAL REINFORCING STEEL IN BEARING AREA FOR BEAM SEATS OF NON-SLOPED CAPS THAT ARE 4" OR MORE ABOVE LOWEST BEAM SEAT.

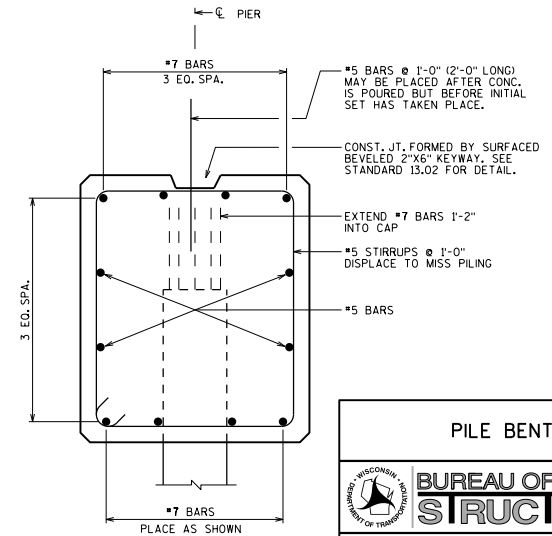
PILES SHALL BE 12 3/4" OR 14" DIAMETER CAST-IN-PLACE WITH MINIMUM WALL THICKNESS OF 3/8".

SEE STANDARD 11.01 FOR REQUIRED PILE REINFORCING DETAILS.


H-PILE USE REQUIRES PRIOR APPROVAL DURING DESIGN OF THE STRUCTURES DEVELOPMENT CHIEF, (608) 266-0075.



PLAN



SECTION A-A

PILE BENT	
	BUREAU OF STRUCTURES
APPROVED: <i>Laura Shadewald</i>	DATE: 1-23