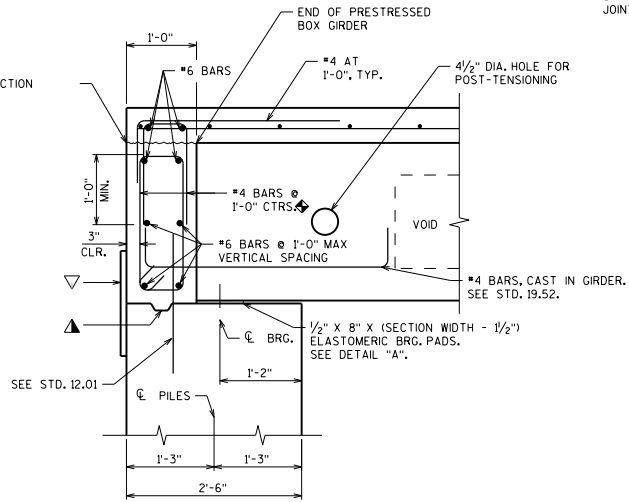
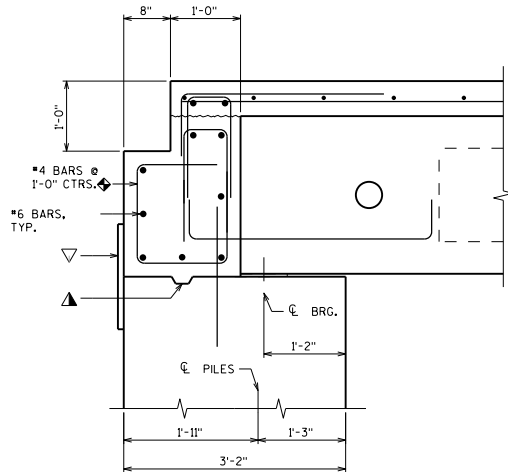


OPTIONAL CONSTRUCTION JOINT.



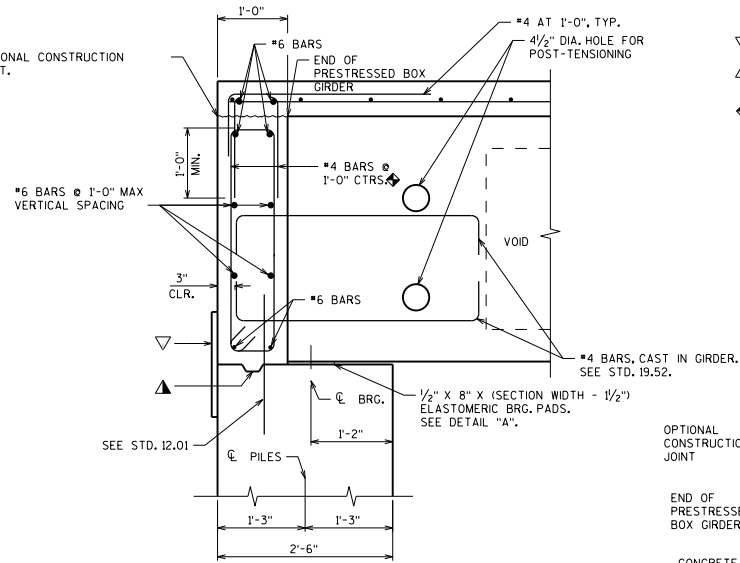
NO PAVING NOTCH - SECTIONS 1 THROUGH 4



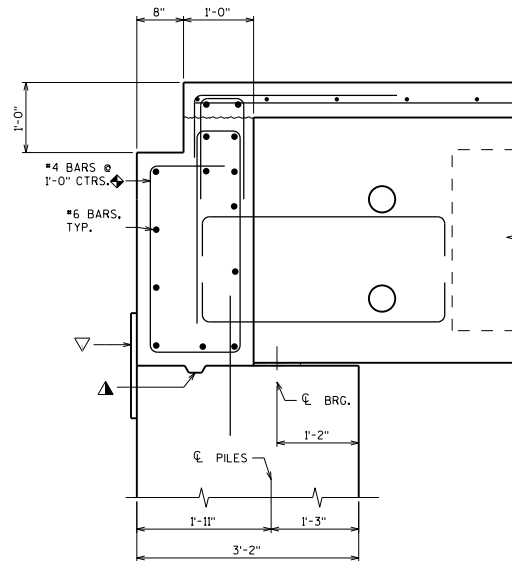
WITH PAVING NOTCH - SECTIONS 1 THROUGH 4

SEE NO PAVING NOTCH - SECTIONS 1 THROUGH 4 DETAIL FOR ADDITIONAL INFORMATION

OPTIONAL CONSTRUCTION JOINT.



NO PAVING NOTCH - SECTIONS 5 AND 6

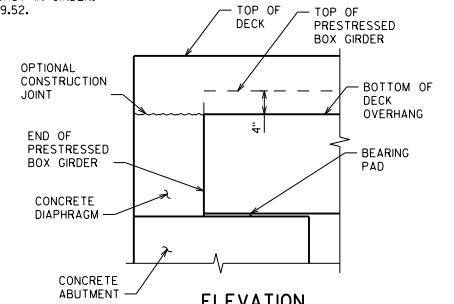


WITH PAVING NOTCH - SECTIONS 5 AND 6

SEE NO PAVING NOTCH - SECTIONS 5 AND 6 DETAIL FOR ADDITIONAL INFORMATION

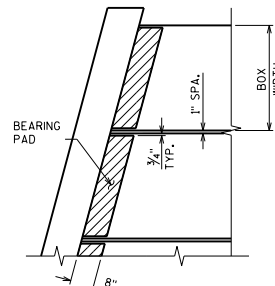
LEGEND

- ▽ 1'-6" RUBBERIZED MEMBRANE WATERPROOFING
- ▲ KEYED CONSTRUCTION JOINT FORMED BY BEVELED 2" X 6".
- ◆ BARS PLACED PARALLEL TO GIRDERS. SPACING PERPENDICULAR TO CL GIRDERS.



ELEVATION

(SHOWING DECK OVERHANG TERMINATION AT CONCRETE ABUTMENT)



DETAIL "A"

PRESTRESSED BOX GIRDER DETAILS 4



APPROVED: *Laura Shadewald* DATE: 1-16