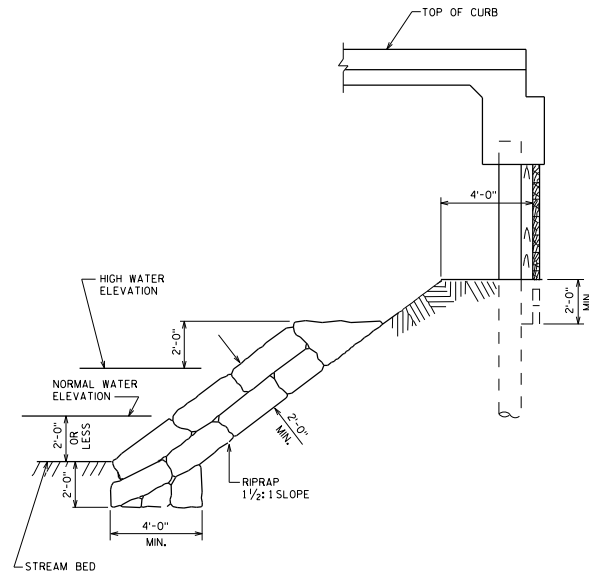
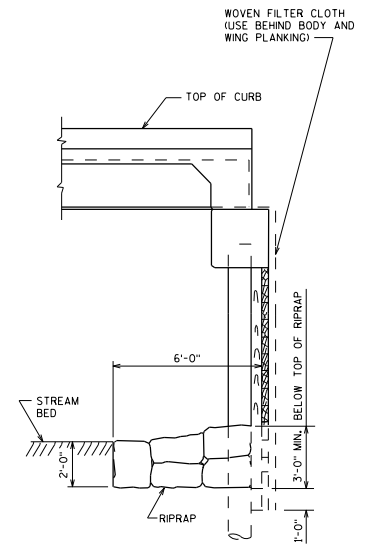


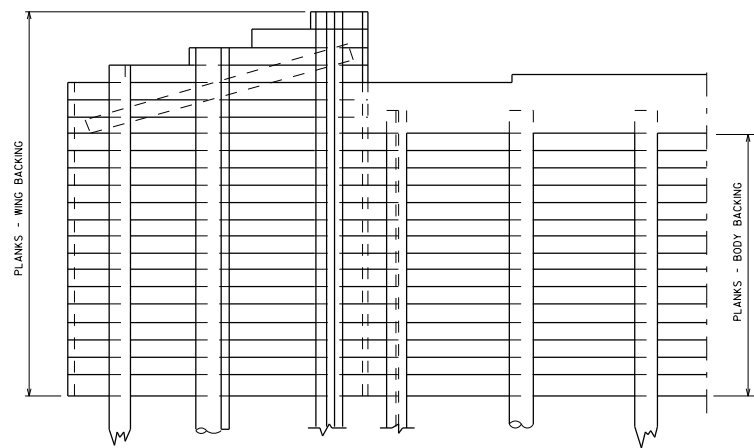
HALF PLAN



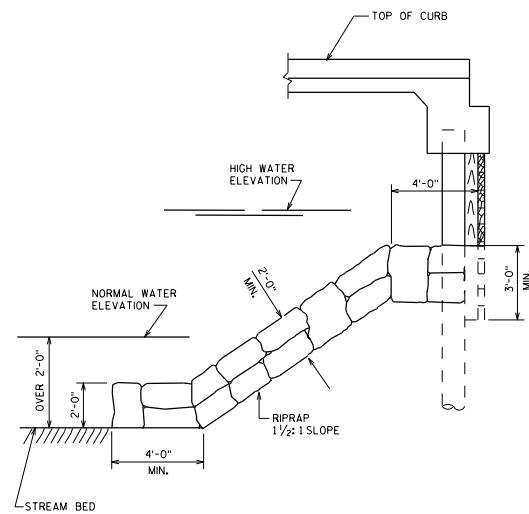
LONGITUDINAL SECTION WITH BERM
SHOWING TOE OF RIPRAP WHEN WATER IS 2'-0" OR LESS IN DEPTH.




LONGITUDINAL SECTION WITHOUT BERM



HALF ELEVATION



LONGITUDINAL SECTION WITH BERM
SHOWING TOE OF RIPRAP WHEN WATER IS OVER 2'-0" IN DEPTH.

TIMBER ABUTMENT	
	BUREAU OF STRUCTURES
APPROVED: <i>Laura Shadewald</i>	DATE: 7-16