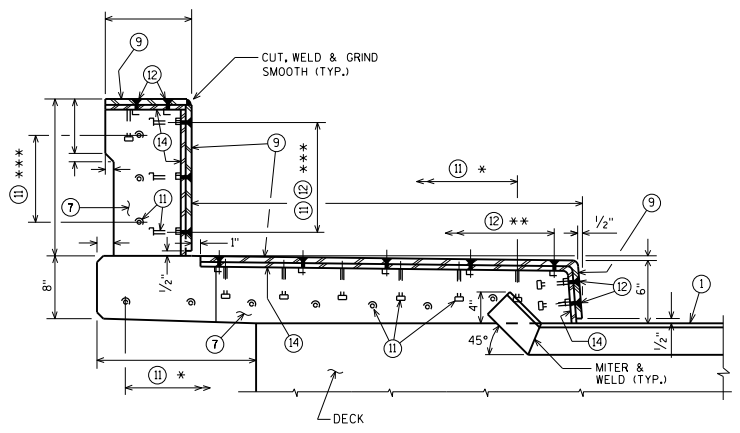
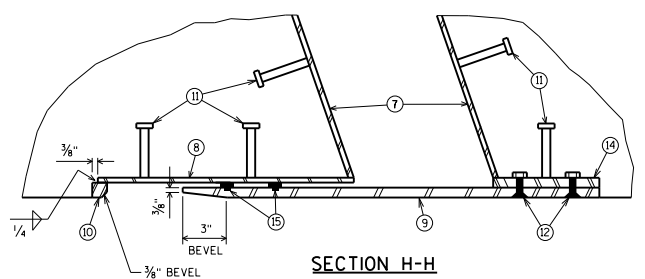


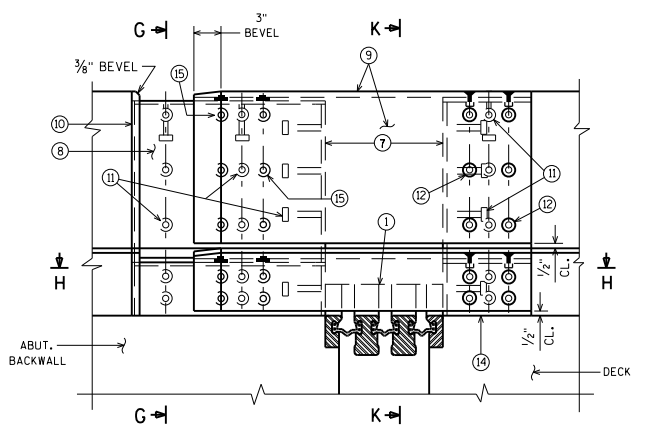
SECTION G-G



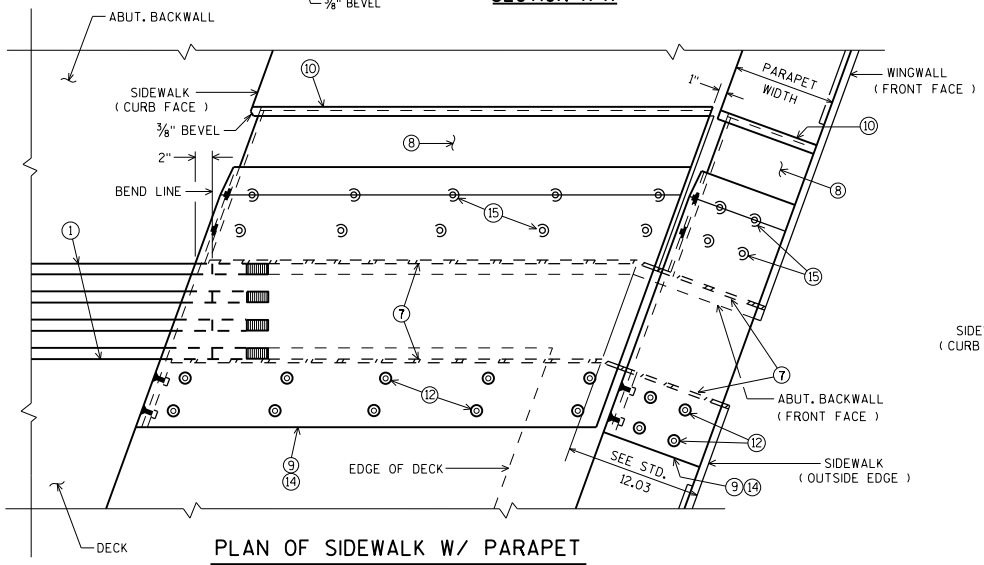
SECTION K-K



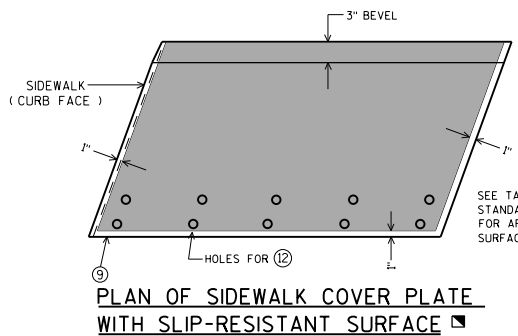
SECTION H-H



ELEVATION OF SIDEWALK W/ PARAPET



PLAN OF SIDEWALK W/ PARAPET



PLAN OF SIDEWALK COVER PLATE WITH SLIP-RESISTANT SURFACE

PLACE SLIP-RESISTANT SURFACE ON TOP WALKING SURFACE IN SHADED AREA ONLY (NOT ON CURB FACE). GALVANIZE PLATE AFTER SLIP-RESISTANT SURFACE IS APPLIED.

- * 6" MAX. SPA.
- ** 1'-0" MAX. SPA.
- *** 2 SPA. (1'-8" PARA. HEIGHT)
4 SPA. (2'-8" PARA. HEIGHT)
- PERPENDICULAR TO FACE OF CURB
- Ⓟ SEE DETAIL ON STANDARD 28.05

DIRECTION OF TRAFFIC DETERMINES THE ORIENTATION OF PLATES 9 & 10

SEE TABLE ON STANDARD 28.06 FOR APPROVED SURFACES

COVER PLATES FOR SIDEWALK W/ CONC. PARA.	
	BUREAU OF STRUCTURES
APPROVED: <i>Laura Shadewald</i>	DATE: 7-11