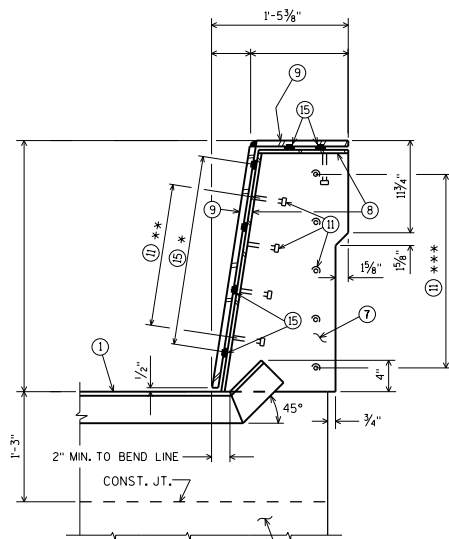
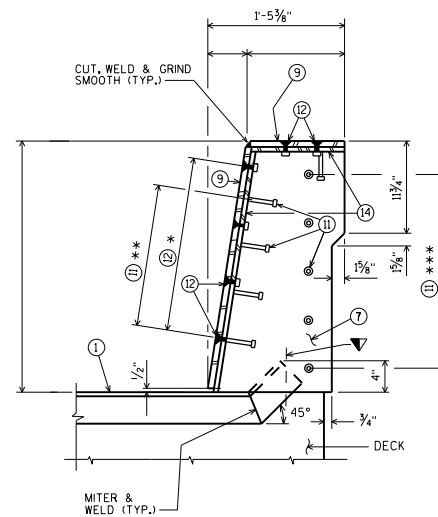


**ELEVATION OF SINGLE SLOPE PARAPET**

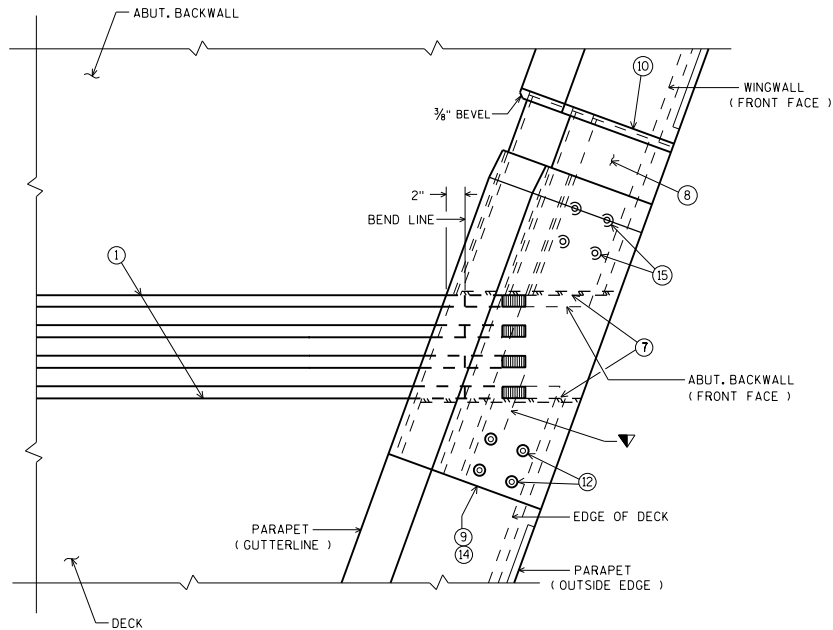


**SECTION E-E**

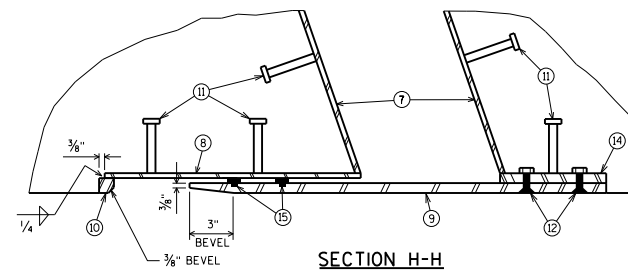


**SECTION F-F**

CROSS SECTION SHOWN FOR 32", 36", AND 42" SINGLE SLOPE PARAPET. DETAILS FOR 56" PARAPET ARE SIMILAR.



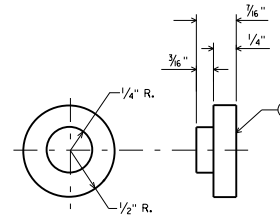
**PLAN OF SINGLE SLOPE PARAPET**



**SECTION H-H**

- \* 3 EQ. SPA. (32")
- 4 EQ. SPA. (36")
- 5 EQ. SPA. (42")
- 7 EQ. SPA. (56")
- \*\* 3 SPA. (32")
- 4 SPA. (36")
- 5 SPA. (42")
- 7 EQ. SPA. (56")
- \*\*\* 4 SPA. (32")
- 5 SPA. (36")
- 6 SPA. (42")
- 8 SPA. (56")

▼ FOR STRUCTURES WITH SKEWS, ADD NOTE TO PLANS: "MITER EXTRUSION ENDS AS REQ'D TO PROVIDE CLEARANCE"



**ADIPRENE BUTTON DETAIL**

**COVER PLATES FOR SINGLE SLOPE PARAPET**



**BUREAU OF STRUCTURES**

APPROVED: *Laura Shadewald*

DATE: 7-18