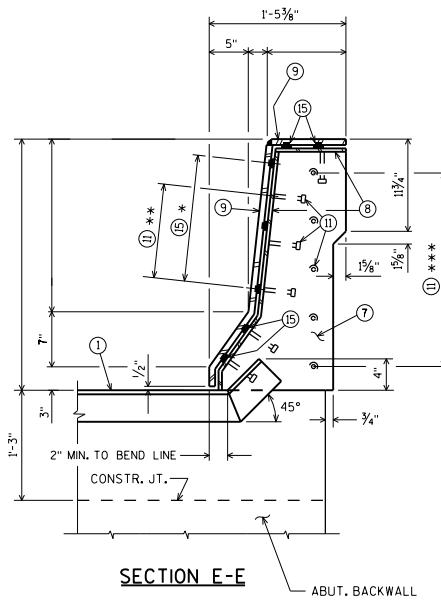
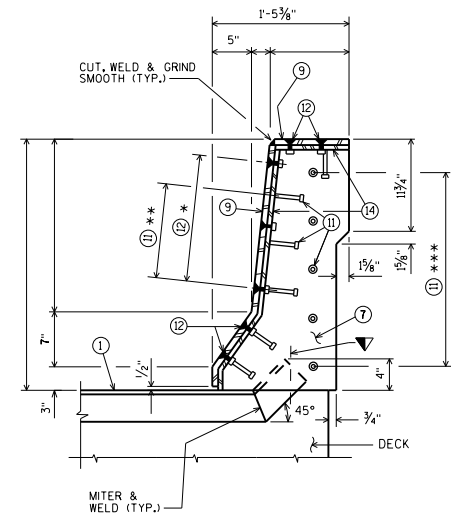


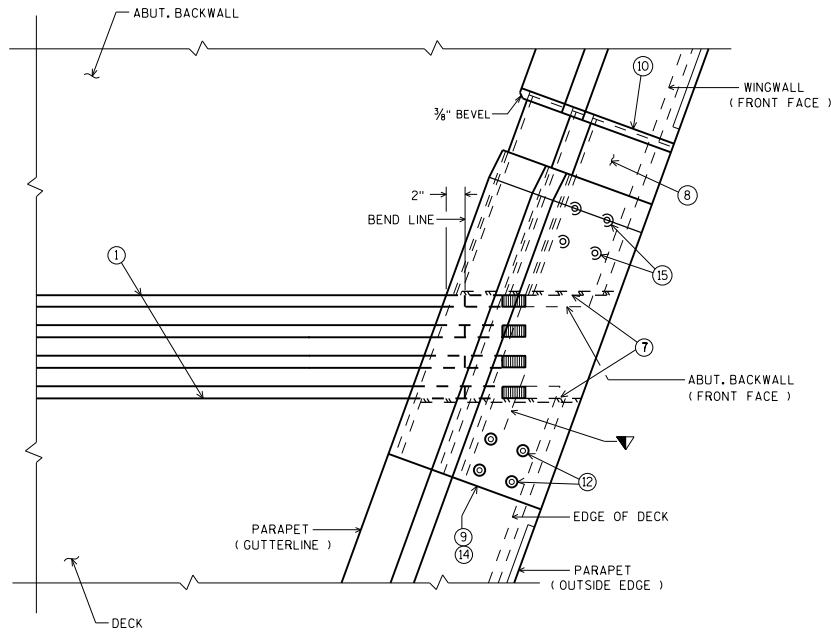
ELEVATION OF PARAPET LF/HF



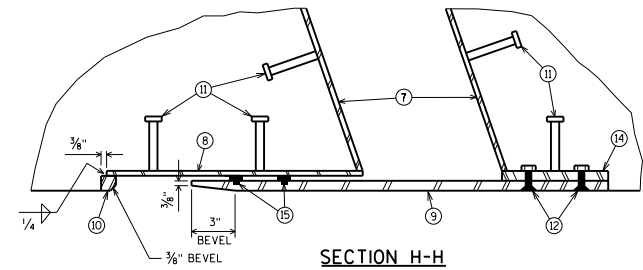
SECTION E-E



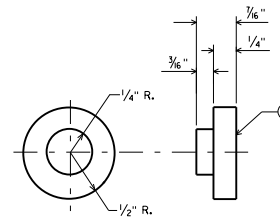
SECTION F-F



PLAN OF LF/HF



SECTION H-H



ADIPRENE BUTTON DETAIL

- * 2 EQ. SPA. (LF)
- 4 EQ. SPA. (HF)
- ** 2 SPA. (LF)
- 4 SPA. (HF)
- *** 4 SPA. (LF)
- 6 SPA. (HF)

▼ FOR STRUCTURES WITH SKEWS ADD NOTE TO PLANS: "MITER EXTRUSION ENDS AS REQ'D TO PROVIDE CLEARANCE"

COVER PLATES FOR PARAPET 'LF/HF'



APPROVED: *Laura Shadewald*

DATE: 7-18