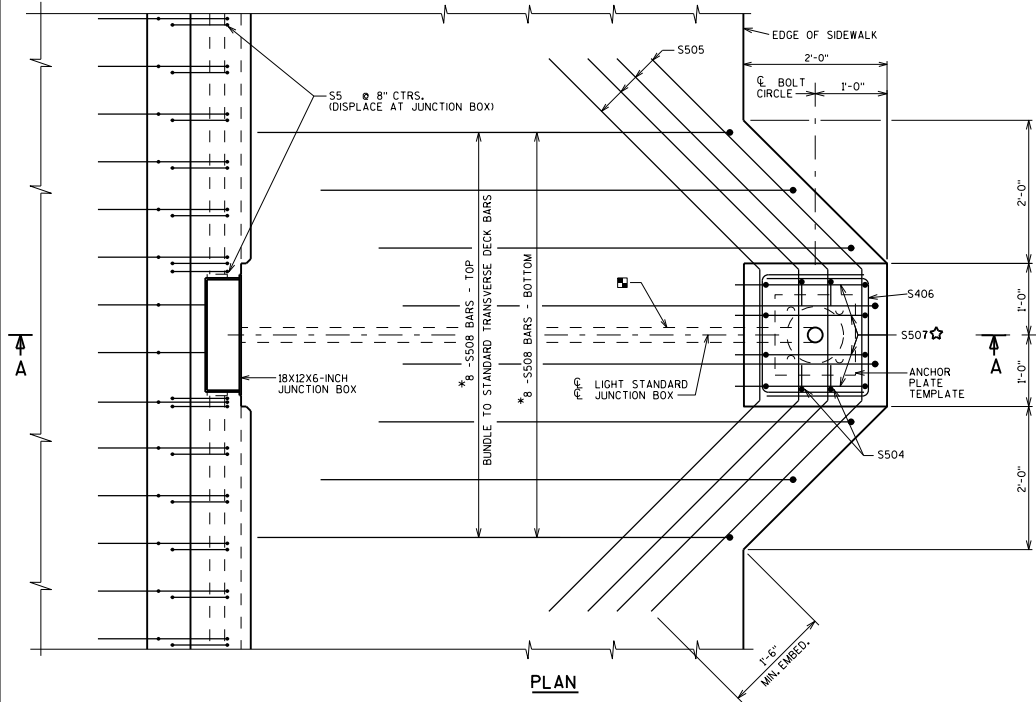
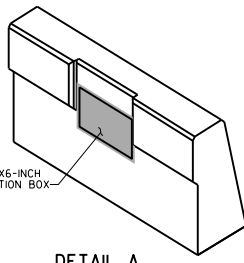


SECTION A-A

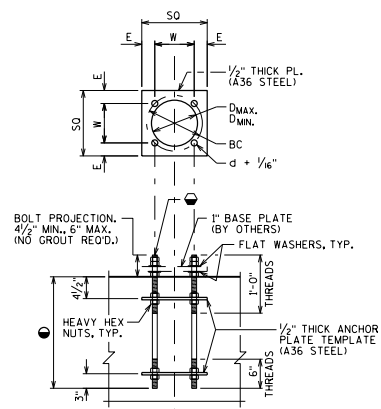


PLAN



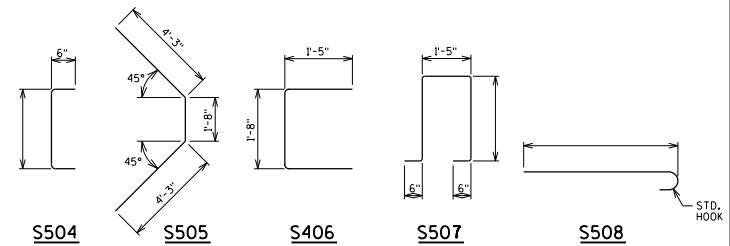
DETAIL A

SHOWING B.F. OF PARAPET WITH BLOCK OUT FOR JUNCTION BOX.



ANCHOR ROD ASSEMBLY DETAILS

SINGLE ASSEMBLY SHOWN
(4) - RODS REQUIRED PER ASSEMBLY



- ANCHOR RODS
- 1" DIA. ANCHOR RODS ASTM F1554 GR 55, HEAVY HEX NUTS ASTM A563, AND WASHERS ASTM F436. ANCHOR ASSEMBLIES SHALL BE GALVANIZED PER SECTION 531 OF THE STANDARD SPECIFICATION. PROVIDE (2) WASHERS AND (7) NUTS PER ANCHOR ROD.
- STAND-ALONE PEDESTAL
- 1" DIA. ANCHOR BOLTS = 2'-0"
- < 1" DIA. ANCHOR BOLTS = 1'-3"
- STAND-ALONE PEDESTAL
- 1" DIA. ANCHOR BOLTS = 1'-11"
- < 1" DIA. ANCHOR BOLTS = 1'-2"
- ▲ PARAPET BLISTER
- SEE STANDARD 30.21
- ▲ CUT OUT ± 1" OF GASKET AT **BOTTOM** OF JUNCTION BOX COVER TO ALLOW FOR DRAINAGE.
- ▽ LOCATION OF CONDUIT IS MEASURED FROM OUTSIDE EDGE OF JUNCTION BOX.
- ☆ TIE IN PLACE AFTER ANCHOR BOLT ASSEMBLY LOCATED.
- * THESE BARS ARE IN ADDITION TO STANDARD TRANSVERSE BARS IN DECK.
- CONDUIT SIZE (SELECT ONE):
FOR DECK THICKNESS < 8 1/2" - 1 1/4" DIA. RIGID NONMETALLIC CONDUIT. (DESIGNER TO VERIFY CONDUIT SIZE BASED ON SERVICE NEEDS)
FOR DECK THICKNESS > 8 1/2" - 2" DIA. RIGID NONMETALLIC CONDUIT.

BILL OF BARS

BAR MARK	COAT	NO. REQ'D.	LENGTH	BEND	LOCATION
S504	X			X	LIGHT STD., VERT.
S505	X	10-2		X	LIGHT STD., HORIZ. IN DECK
S406	X	4-4		X	LIGHT STD., HORIZ.
S507	X			X	LIGHT STD., VERT.
S508	X			X	LIGHT STD., TRANSV. IN DECK

TABLE FOR "TYPE 5 LIGHT POLE"
FROM FACILITIES DEV. MANUAL
WITH 1" DIA. ANCHOR BOLTS.
(ANY OTHER LIGHT POLE TYPE
MUST BE DESIGNED FOR.)

SO	1'-1/2"
E	2 1/4"
W	8 1/4"
BC	1 1/4"
D	9 1/2"

W = 0.707 x BC
SO = BC + 2d
d = ANCHOR BOLT DIA.
E = (SO - W)/2
D_{MAX} = BC + 2d
D_{MIN} = 2 x CONDUIT DIA. + 1"

NOTE

BID ITEM SHALL BE "ANCHOR ASSEMBLIES POLES ON STRUCTURES", EACH

DESIGNER NOTES

ANCHORAGE DETAIL FOR "TYPE 5 LIGHT POLE"; ANCHORAGE FOR OTHER LIGHT POLE TYPES MUST BE DESIGNED.

SEE STD. 30.11 FOR FENCE DETAILS.

SEE STD. 30.21 FOR
- ADDITIONAL NOTES
- END OF BRIDGE DETAILS

THIS STANDARD IS NOT INTENDED TO BE USE WITH TRANSFORMER BASES.

THIS STANDARD ACCOMMODATES A MAXIMUM 15" DIA. BOLT HOLE CIRCLE AND A MAXIMUM 15" X 15" SQUARE ANCHOR PLATE WITH (4) - 1" DIA. ANCHOR BOLTS. THIS STANDARD IS BASED ON A 8" MIN. DECK THICKNESS.

LIGHTING DETAIL



DATE:
APPROVED: *Laura Shadewald* 7-20