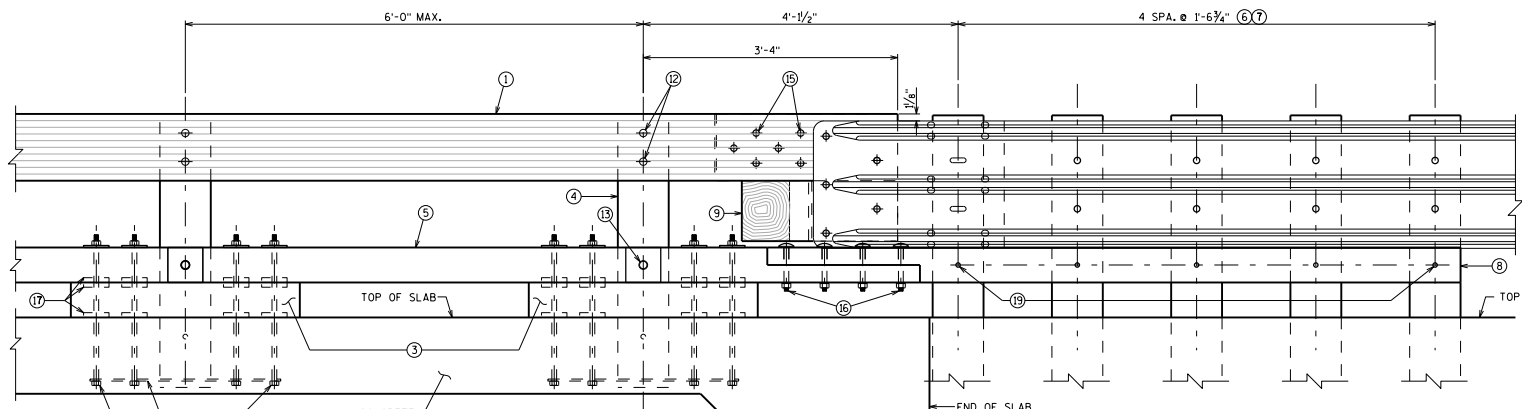
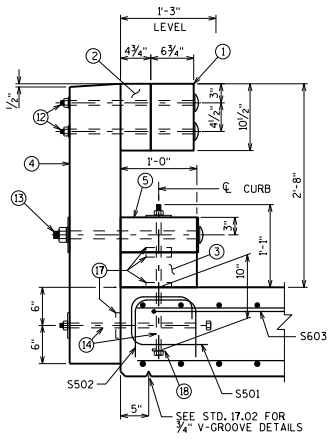


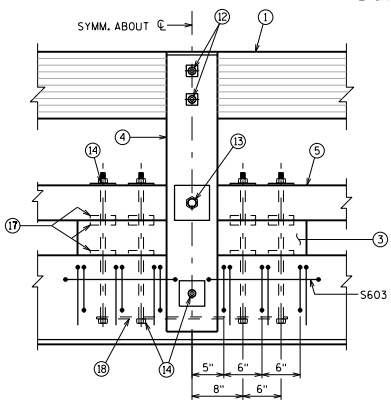
**PLAN**



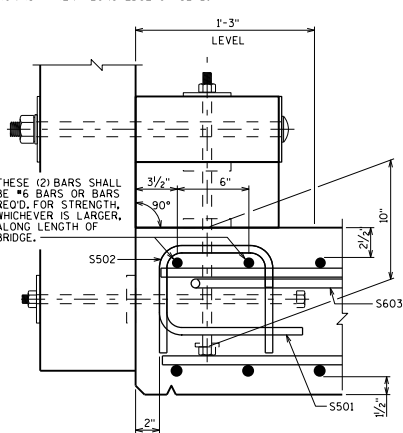
**ELEVATION**



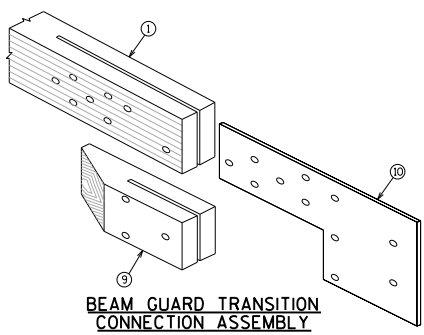
**SECTION THRU RAIL**  
ALSO SEE "EDGE OF SLAB DETAILS"



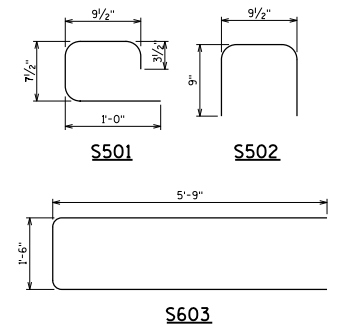
**BACK ELEVATION**



**EDGE OF SLAB DETAILS**

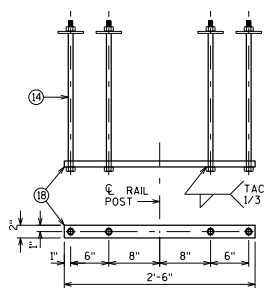


**BEAM GUARD TRANSITION CONNECTION ASSEMBLY**



**BILL OF BARS** NOTE: THE FIRST DIGIT OF THE BAR MARK SIGNIFIES THE BAR SIZE.

BAR MARK	CO. REQ'D.	NO. REQ'D.	LENGTH	Qty	LOCATION
S501	X	2-4	X		RAIL POST VERTICAL
S502	X	2-1	X		RAIL POST VERTICAL
S603	X	12-9	X		RAIL POST HORIZONTAL



**ANCHORAGE DETAIL**

SEE STANDARD 30.25 FOR RAILING DETAILS

**TIMBER RAILING ATTACHED TO CONCRETE SLAB**



APPROVED: *Laura Shadewald* DATE: 7-11