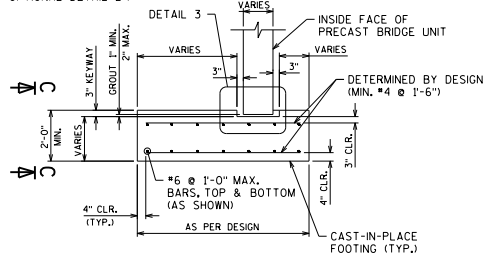
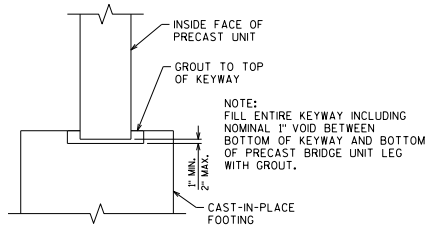


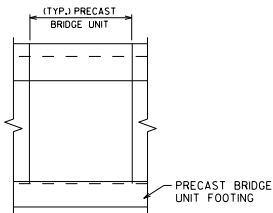
SPREAD FOOTING SHOWN, OTHER FOUNDATION TYPES POSSIBLE. (FOR PEDESTAL WALL, PILE AND BASE SLAB FOUNDATIONS, "SEE OPTIONAL DETAIL 2")



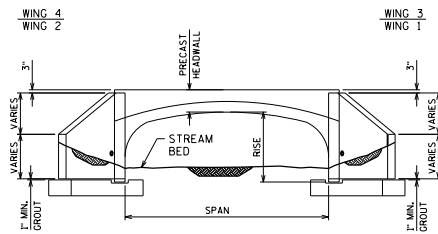
DETAIL 2



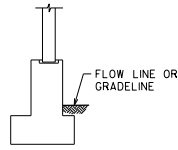
DETAIL 3



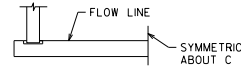
SECTION C



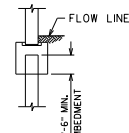
TYPICAL END ELEVATION



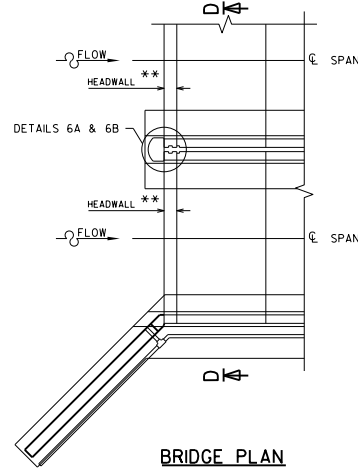
OPTIONAL DETAIL 2
IF PEDESTAL IS REQUIRED



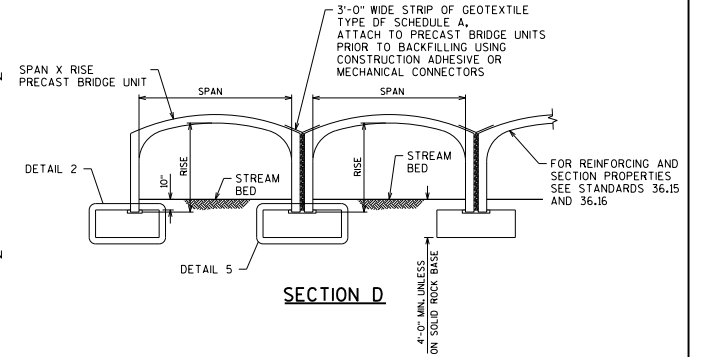
OPTIONAL DETAIL 2
IF BASE SLAB IS REQUIRED



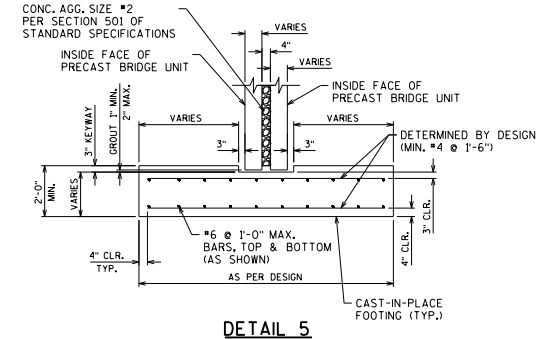
OPTIONAL DETAIL 2
IF PILES ARE REQUIRED



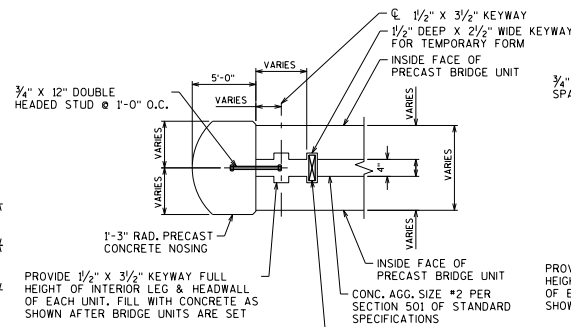
BRIDGE PLAN



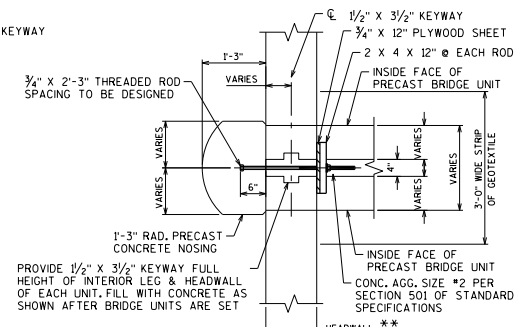
SECTION D



DETAIL 5



DETAIL 6A



DETAIL 6B

NOTES:
**SEE STANDARDS 36.13 AND 36.14 FOR HEADWALL DETAILS AND FEASIBILITY GUIDELINES

PRECAST THREE-SIDED BOX CULVERT DETAILS



APPROVED: *Laura Shadewald* DATE: 7-18