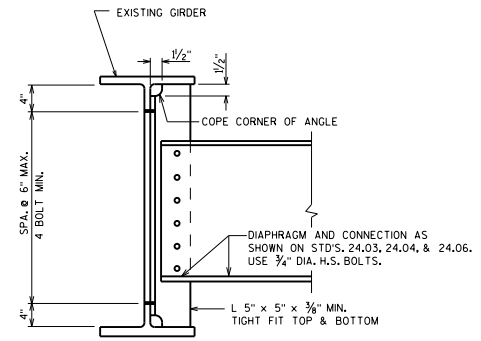
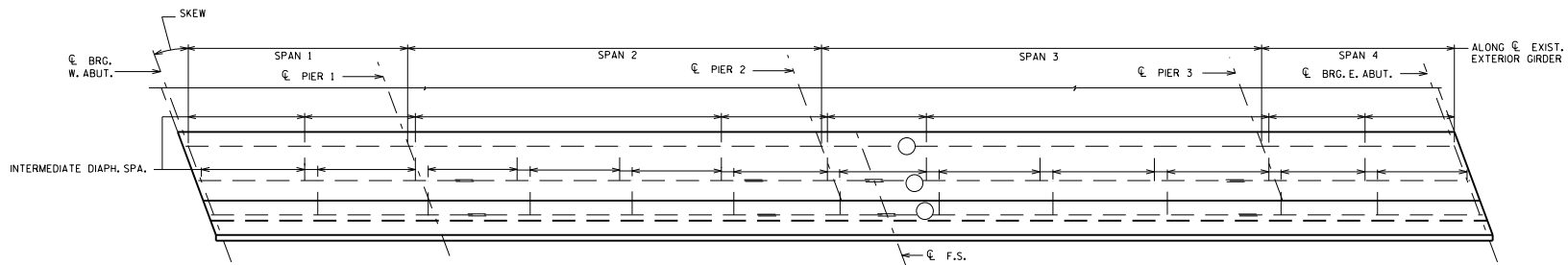



CROSS SECT. THRU RDWY.



DIAPHRAGM CONNECTION TO EXISTING STEEL GIRDER



PLAN

SLAB WIDENING	
	BUREAU OF STRUCTURES
APPROVED: <i>Laura Shadewald</i>	DATE: 7-16