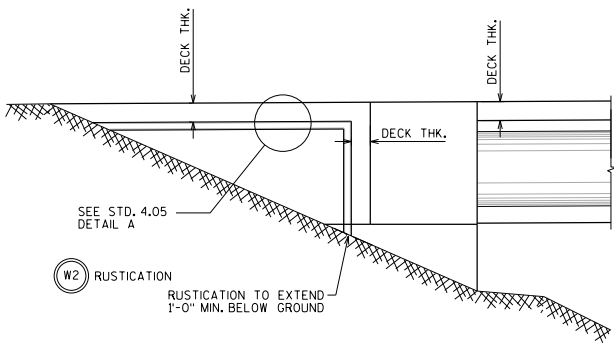
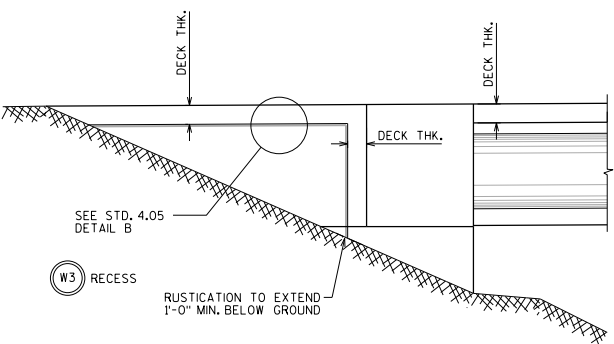


W1 STANDARD

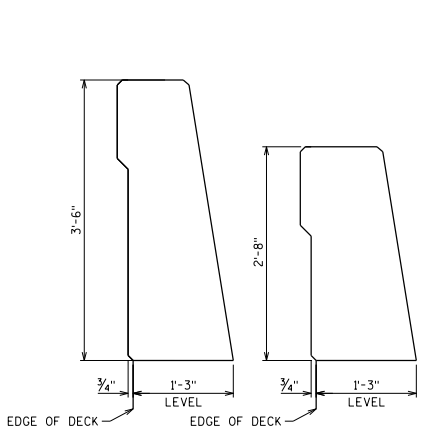


W2 RUSTICATION  
RUSTICATION TO EXTEND  
1'-0" MIN. BELOW GROUND

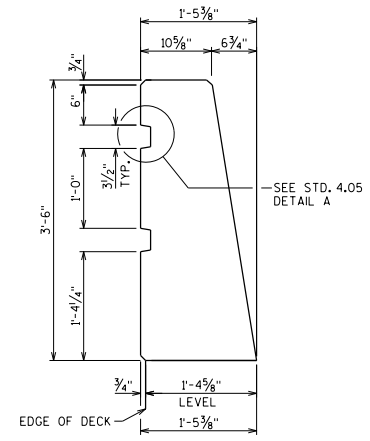


W3 RECESS  
RUSTICATION TO EXTEND  
1'-0" MIN. BELOW GROUND

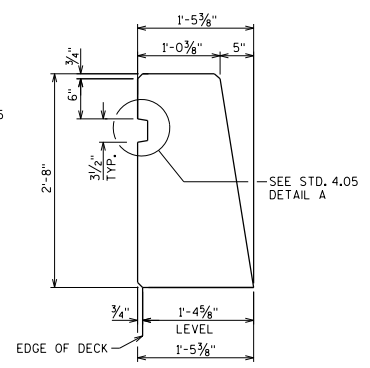
WING OPTIONS



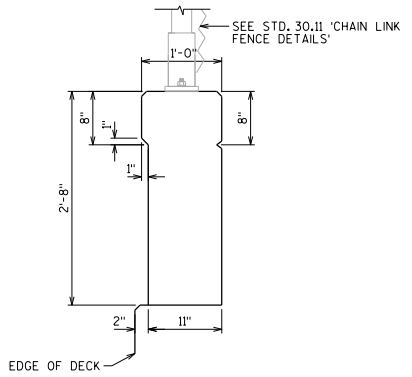
R1 STANDARD  
SEE STD. 30.32 'SINGLE SLOPE  
PARAPET 42SS' OR STD. 30.30  
'SINGLE SLOPE PARAPET 32SS' FOR  
DETAILS



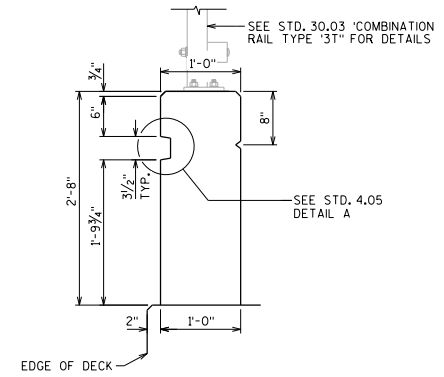
R2 DOUBLE RUSTICATION LINES  
MODIFIED 'SINGLE SLOPE PARAPET 42SS'  
(AREA = 4.01 SF, WEIGHT = 602 LB/FT.)



R2 SINGLE RUSTICATION LINES  
MODIFIED 'SINGLE SLOPE PARAPET 32SS'  
(AREA = 3.25 SF, WEIGHT = 488 LB/FT.)




R3 STANDARD  
SEE STD. 30.07 'VERTICAL FACE PARAPET 'A'  
FOR DETAILS



R4 SINGLE RUSTICATION LINES  
MODIFIED 'VERTICAL FACE PARAPET 'A'  
(AREA = 2.63 SF, WEIGHT = 395 LB/FT.)  
SEE STD. 30.07 'VERTICAL FACE PARAPET 'A'  
FOR DETAILS

PARAPET OPTIONS

DESIGNER NOTES  
WINGS PARALLEL TO CENTERLINE OF ABUTMENT  
(ELEPHANT EAR) ARE TO BE PLAIN (TYPE I).

WING & PARAPET AESTHETIC DETAILS	
	<b>BUREAU OF STRUCTURES</b>
APPROVED: <i>Laura Shadewald</i>	DATE: 1-19