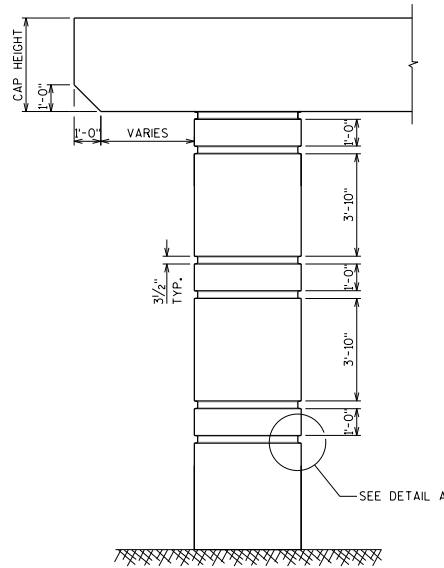
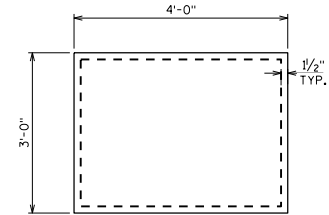


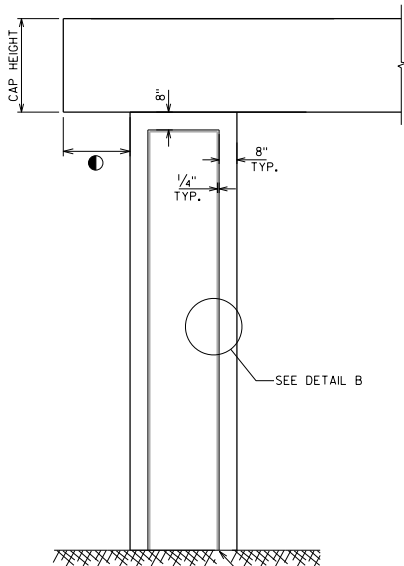
(P1) SINGLE RUSTICATION LINES



(P2) DOUBLE RUSTICATION LINES

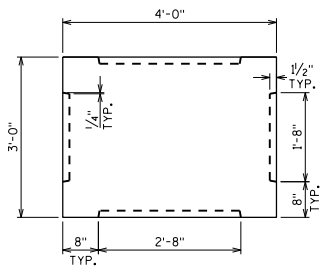


SECTION THRU COLUMN
SINGLE RUSTICATION LINES AND
DOUBLE RUSTICATION LINES

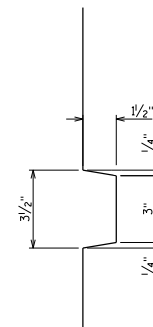


(P3) RECESSED PANEL

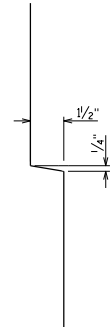
● DIM. = APPROXIMATELY 3/4 CAP HEIGHT



SECTION THRU COLUMN
RECESSED PANEL



DETAIL A



DETAIL B

MULTI-COLUMNED PIER
AESTHETIC DETAILS



BUREAU OF
STRUCTURES

APPROVED: *Laura Shadewald*

DATE:
7-15