

**CORRESPONDENCE/MEMORANDUM** \_\_\_\_\_ *State of Wisconsin*

**DATE:** 7/2/2019  
**TO:** All WisDOT Standard Sign Plate Holders  
**FROM:** Jay M. Hille, P.E.  
State Signing Engineer  
**SUBJECT:** Revised WisDOT Standard Sign Plates

Listed below and placed in the Traffic Operations Manuals website are changes and additions to the WisDOT Standard Sign Plates. Please make your coworkers aware of the following changes and that they can be found at: <http://wisconsindot.gov/Pages/doing-bus/local-gov/traffic-ops/manuals-and-standards/manuals.aspx>

Many changes have taken place in this listing. The revisions are as follows:

Sign Plate Additions/Revisions

A3-1	A3-1M	A3-2	A3-3	A4-1	A5-3
A5-9	A5-10	A11-17	D1-51	D4-3	D4-5
D5-63	D5-64	D5-65	D5-66	D5-67	D5-68
D6-51	D6-53	D7-51	D7-53	D7-54	D7-56
D7-57	D7-59	D7-60	D7-61	D7-63	D7-64
D7-66	D7-67	D7-68	D7-69	D7-71	D7-72
D7-74	D7-75	D7-77	D7-77A	D7-81	D7-81A
D7-82	D7-82AB	D7-91	D7-92	D7-93	D7-95
D9-13C	D9-52	D9-52A	D11-10	D11-10A	D11-10P
D12-5	D12-50	D17-2	DB5-69	DR1-53	E5-1
E5-1A	E5-1B	E5-61	E5-63	E5-64	E5-65
G20-56	G20-57	G20-57B	G20-58	G20-65	G20-66
G20-67	I57-10	M1-94H	M1-94S	M4-5	M4-9A
M4-9B	M4-9C	M4-59A	M5-52	MR5-54	R3-4A
R3-8	R3-25U	R5-51	R6-1	R53-51	R53-52
R53-53	R53-55	R53-56	R53-57	S3-51	S57-51
W6-60	W7-3	W8-76	W12-2A	W16-9P	W57-51
WO1-4C	WO7-61	WO8-2	WO16-7	WO16-9P	WO57-51

Retired Sign Plates

R3-8B	R3-8D	R3-8F	R3-8G	R3-8I	R3-8K
R3-8L	R3-8N	R3-8P	R3-8R	R3-8T	R3-8V
R3-8W	R3-8X	R3-8Y	R3-8Z	R3-8AA	R3-8BB
R3-8CC	R3-8DD	R3-8EE	R3-8FF	R3-8GG	R3-8HH
R3-8II	R3-8JJ	R3-8KK	R3-8LL	R3-8MM	R3-8NN
R3-8OO	R3-8PP	R3-8SS	R3-8TT	R3-8UU	R3-8VV
R3-8WW	R3-8YY	R3-8ZZ	R3-8AAA	R3-8BBB	R3-8CCC
R3-8DDD	R3-8EEE	R3-8FFF	R3-8GGG	R3-72	R4-51
R5-41A	R10-2A	R14-53			

If you want to be removed from our distribution list or if your address has changed, please contact Jay Hille at the email address or phone number below.

**Jay Hille**  
**WisDOT Central Office**  
**Bureau of Traffic Operations**  
**3609 Pierstorff St**  
**Madison, WI 53704**  
**(608) 243-5981**  
**[jay.hille@dot.wi.gov](mailto:jay.hille@dot.wi.gov)**

## STANDARD SIGN PLATE LISTING

A1-1	A5-8	<u>A11-17</u>	D5-5B
A1-2	<u>A5-9</u>	A11-18	<u>D5-61</u>
A2-1	<u>A5-10</u>	<u>D1-51</u>	<u>D5-62</u>
A2-1S	A11-1	D1-55	<u>D5-63</u>
<u>A3-1</u>	A11-2	D1-56	<u>D5-64</u>
<u>A3-1M</u>	A11-3	D1-57	<u>D5-65</u>
<u>A3-2</u>	A11-4	D1-60	<u>D5-66</u>
<u>A3-3</u>	A11-5	D1-60A	<u>D5-67</u>
<u>A4-1</u>	A11-6	D1-61	<u>D5-68</u>
A4-2	A11-7	D1-63	D6-4
A4-3	A11-8A	D1-64	D6-4N
A4-3B	A11-8B	D1-65	D6-4S
A4-3S	A11-8C	D1-66	<u>D6-51</u>
A4-4	A11-9	D1-70	<u>D6-53</u>
A4-5	A11-10	D1-71	<u>D7-51</u>
A4-6	A11-11A	D1-72	<u>D7-53</u>
A4-7	A11-11B	D4-1	<u>D7-54</u>
A4-8	A11-11D	D4-2	<u>D7-56</u>
A4-9	A11-11F	D4-2A	<u>D7-57</u>
A4-10	A11-11G	<u>D4-3</u>	<u>D7-59</u>
A4-11	A11-11H	D4-4	<u>D7-60</u>
A4-12	A11-11I	D4-5A	<u>D7-61</u>
A4-14	A11-11J	<u>D4-5</u>	<u>D7-63</u>
A4-15	A11-11K	D4-51	<u>D7-64</u>
A4-16	A11-11L	D4-52	<u>D7-66</u>
A4-17	A11-12	D4-54	<u>D7-67</u>
A4-18	A11-13	D4-55	<u>D7-68</u>
A5-2	A11-14	D4-55A	<u>D7-69</u>
<u>A5-3</u>	A11-15	D4-56	<u>D7-71</u>
A5-7	A11-16	D5-5A	<u>D7-72</u>

## STANDARD SIGN PLATE LISTING

<u>D7-74</u>	<u>D11-10P</u>	E5-54A	E10-61
<u>D7-75</u>	D12-2	E5-56A	E10-62
<u>D7-77</u>	D12-2A	E5-56L	E10-63
<u>D7-77A</u>	D12-2B	E5-57	E10-64
<u>D7-81</u>	D12-3	E5-57D	E10-82
<u>D7-81A</u>	D12-3A	E5-57E	E10-82A
<u>D7-82</u>	D12-5	E5-58	E10-83
<u>D7-82A</u>	<u>D12-50</u>	E5-60	E11-1
<u>D7-82B</u>	D13-3	<u>E5-61</u>	E13-1P
<u>D7-91</u>	D15-1	E5-62	G20-1
<u>D7-92</u>	D15-2	<u>E5-63</u>	G20-2A
<u>D7-93</u>	D16-1	<u>E5-64</u>	G20-4
<u>D7-95</u>	<u>D17-2</u>	<u>E5-65</u>	G20-51
D9-2	D17-7	E6-51	G20-52
D9-6	D52-53	E6-52	G20-52A
<u>D9-13C</u>	D52-54	E6-53	G20-53
D9-51	D52-58	E6-54A	G20-53A
<u>D9-52</u>	<u>DB5-69</u>	E6-54L	G20-55
<u>D9-52A</u>	DR1-53	E6-54R	<u>G20-56</u>
D9-54	E1-5	E7-1	<u>G20-57</u>
D9-54A	E2-1	E7-2	<u>G20-57B</u>
D10-3	<u>E5-1</u>	E7-3	<u>G20-58</u>
D11-1	<u>E5-1A</u>	E7-4	G20-59
D11-1A	<u>E5-1B</u>	E9-1	G20-60
D11-6	E5-51	E10-51	G20-61
D11-7	E5-51A	E10-53	G20-62
D11-8	E5-52	E10-54	G20-63
D11-9	E5-52A	E10-55	G20-64
<u>D11-10</u>	E5-53	E10-56	<u>G20-65</u>
<u>D11-10A</u>	E5-54	E10-60	<u>G20-66</u>
			<u>G20-67</u>

## STANDARD SIGN PLATE LISTING

<u>G20-68</u>	M1-9	M4-4	<u>MR5-54</u>
I2-1	M1-51	<u>M4-5</u>	R1-1
I2-2	M1-54	M4-6	R1-1B
I2-2R	M1-55	M4-8	R1-1F
I2-3	M1-56	M4-8A	R1-2
I2-3A	M1-56B	<u>M4-9A</u>	R1-3P
I3-1	M1-85	M4-9BA	R1-5L
I5-1	M1-85B	<u>M4-9B</u>	R1-5R
I52-52	M1-86	<u>M4-9C</u>	R1-6
I55-56	M1-87	M4-9R	R1-9
I55-56B	M1-88	M4-10	R1-10P
I55-57	M1-88A	M4-20C	R1-53
I55-57A	M1-90	M4-20L	R1-54
I56-50	M1-91	M4-20R	R1-55
<u>I57-10</u>	M1-92	M4-21	R1-61
I57-10W	M1-93	M4-22	R2-1
I60-50	M1-94	<u>M4-59A</u>	R2-4
I60-51	<u>M1-94H</u>	M4-59L	R2-6P
I60-52	<u>M1-94S</u>	M5-1	R3-1
I60-53	M1-95	M5-51	R3-2
I60-56	M1-95A	<u>M5-52</u>	R3-3
JV-F	M1-96	M6-1	R3-4
M1-1	M1-97	M6-4	<u>R3-4A</u>
M1-4	M1-98	M6-5	R3-4B
M1-5A	M2-1	M6-50	R3-5
M1-6	M3-1	M7-1	R3-5A
M1-6B	M4-1	M50	R3-5U
M1-7	M4-1A	MR1-99	R3-5X
M1-8	M4-2	MR4-53	R3-6
M1-8A	M4-3	MR4-56	R3-6T
		MR5-53	

## STANDARD SIGN PLATE LISTING

R3-6U	R3-52P	R5-6	R7-63
R3-6V	R3-53	R5-50	R7-64
R3-6W	R3-54	<u>R5-51</u>	R7-65
R3-6X	R3-55A	R5-54	R7-66
R3-7	R3-57	R5-57	R8-4
R3-7B	R3-58	R5-57A	R8-7
R3-7C	R3-59	R5-57B	R8-8
R3-7S	R3-60	R5-60	R8-9
<u>R3-8</u>	R3-60X	R5-60RU	R8-10
R3-9B	R4-1	R5-96	R8-51
R3-9C	R4-2	R5-97	R8-52
R3-11D	R4-3	R5-98	R8-53
R3-12G	R4-4	R5-99	R8-54
R3-17	R4-5	<u>R6-1</u>	R8-55
R3-18	R4-7	R6-2	R8-56
R3-20L	R4-9	R6-3	R8-74
R3-20LL	R4-11	R6-4B	R9-1
R3-20R	R4-13	R6-6	R9-2
R3-20RR	R4-14	R6-7	R9-3
<u>R3-25U</u>	R4-18	R7-1	R9-3A
R3-27	R4-50	R7-2	R9-3B
R3-33	R4-52	R7-4	R9-3BL
R3-50	R4-53	R7-5	R9-4
R3-50A	R4-55	R7-6	R9-4A
R3-50U	R4-55S	R7-7	R9-8
R3-51	R5-1	R7-8	R9-9
R3-51L	R5-1A	R7-8A	R9-10
R3-51R	R5-1AB	R7-8V	R9-11
R3-52B	R5-2	R7-51	R9-11A
R3-52C	R5-2A	R7-52	R9-53
	R5-3	R7-53	R9-55

## STANDARD SIGN PLATE LISTING

R9-56	R10-15R	R12-53	R55-59
R9-98	R10-16	R12-54	R55-61
R9-99	R10-17A	R12-55	R55-61M
R10-1	R10-23	R12-56	R55-62
R10-2	R10-25	R12-57	R55-63
R10-3	R10-26	R12-58	R55-64
R10-3B	R10-50	R12-58F	R55-65
R10-3E	R10-61	R12-70	R55-66
R10-3H	R10-62	R12-70B	R55-67
R10-3I	R10-63	R13-1	RR2-60
R10-3J	R10-64	R13-49	S1-1
R10-3N	R10-64B	R13-50	S1-51
R10-4	R10-64F	R14-1	S3-1
R10-4B	R10-65	R14-52	<u>S3-51</u>
R10-4D	R10-70	R15-3	S4-2
R10-4X	R10-71	R15-50	S4-5
R10-5	R11-2	R52-55	S4-51
R10-6	R11-2B	R52-57A	S4-52
R10-6B	R11-3	R52-59	S5-2
R10-7	R11-3B	<u>R53-51</u>	S13-1
R10-10	R11-3C	<u>R53-52</u>	S16-5P
R10-10A	R11-4	<u>R53-53</u>	S16-7
R10-11	R11-5	<u>R53-55</u>	S16-8
R10-11B	R11-51	<u>R53-56</u>	S16-9P
R10-11C	R11-52	<u>R53-57</u>	S54-61
R10-11F	R11-53	R55-51	<u>S57-51</u>
R10-11S	R11-54F	R55-53	W1-2
R10-11T	R12-1	R55-54	W1-3
R10-12	R12-2	R55-58	W1-4
R10-15L	R12-52	R55-58A	W1-4B
			W1-4C

## STANDARD SIGN PLATE LISTING

W1-5	W4-4A	W6-54B	W8-61
W1-6	W4-4B	W6-54C	W8-62
W1-7	W4-4C	W6-54D	W8-63
W1-8	W4-4P	<u>W6-60</u>	W8-64
W1-8B	W4-6	W7-1	W8-65
W1-10	W4-7	W7-2B	W8-66
W1-10F	W5-1	<u>W7-3</u>	W8-67
W1-11	W5-2	W7-6	W8-68
W1-13L	W5-3	W7-61	W8-69
W1-13R	W5-52	W8-1	W8-70
W1-51	W5-53	W8-1A	W8-71
W1-60	W5-53S	W8-2	W8-72
W2-1	W5-54	W8-3	W8-72P
W2-2	W5-56	W8-4	W8-73
W2-3	W5-57	W8-5	W8-74
W2-6	W5-58D	W8-6	W8-75
W2-7L	W5-58L	W8-6A	<u>W8-76</u>
W2-7R	W5-58R	W8-7	W9-1
W2-50	W5-59L	W8-8	W9-2
W3-1	W5-59R	W8-9	W9-3A
W3-1B	W5-60L	W8-9A	W9-62
W3-2	W5-60R	W8-11	W9-63
W3-3	W5-61	W8-12	W10-1
W3-4	W5-64	W8-14	W10-1A
W3-5	W5-65	W8-16	W10-2
W3-6	W6-1	W8-17	W10-3
W3-8	W6-3	W8-52	W10-4
W4-1	W6-53	W8-57	W10-5
W4-2	W6-54	W8-58	W10-11A
W4-3	W6-54A	W8-60	W10-11B



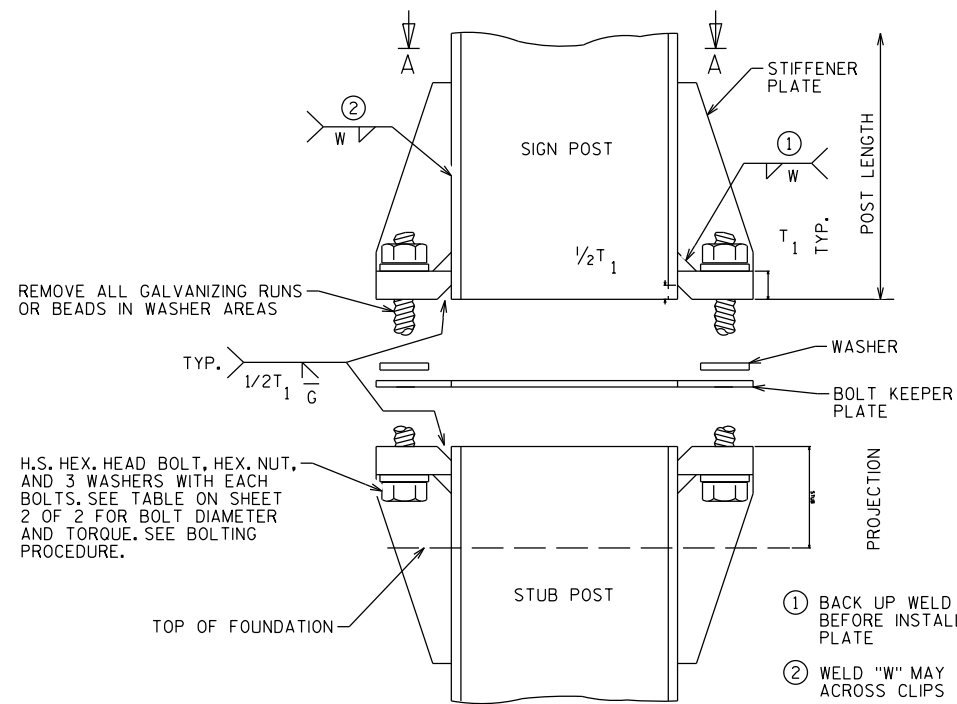
## STANDARD SIGN PLATE LISTING

W10-12	W13-2D	W21-2	W54-54
W10-52	W13-3	W21-3A	W54-55
W11-1	W13-3A	W21-5	W54-56
W11-2	W13-3B	W21-5A	W54-57
W11-4	W13-3C	W21-5B	W54-58
W11-5	W13-3D	W21-6	W54-59
W11-6	W14-1	W21-51	W54-60
W11-7	W14-2	W21-60	W54-62
W11-8	W14-3	W21-61	W54-63
W11-9	W16-1P	W21-62	W56-51
W11-11	W16-2A	W21-62P	<u>W57-51</u>
W11-14	W16-5P	W21-62Q	W57-52
W11-15	W16-7	W21-62R	WO1-1
W11-15A	W16-7D	W21-63	WO1-2
W11-50	<u>W16-9P</u>	W21-64	WO1-3
W11-55	W16-15P	W21-66	WO1-4B
W11-57	W19-1	W22-1	WO1-4
W11-59P	W19-2	W22-2	<u>WO1-4C</u>
W12-1	W20-1	W22-3	WO1-6
W12-1D	W20-2	W23-2	WO1-7
W12-2	W20-3	W24-1L	WO3-1
<u>W12-2A</u>	W20-4	W24-1R	WO3-2
W12-50	W20-5	W24-1aL	WO3-3
W12-52	W20-7	W24-1aR	WO3-4
W12-52P	W20-7A	W24-1bL	WO3-5
W13-1	W20-50	W24-1Br	WO4-1
W13-2	W20-50M	W24-1P	WO4-2
W13-2A	W20-53	W25-2	WO4-3
W13-2B	W20-58	W54-51	WO4-5
W13-2C	W21-1	W54-52	WO4-5P
	W21-1A	W54-53	

**STANDARD SIGN PLATE LISTING**

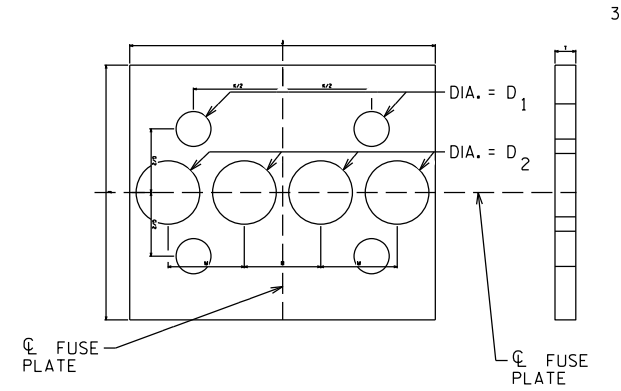
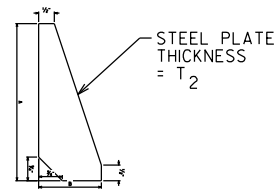
**WO5-1**  
**WO5-2**  
**WO5-52**  
**WO5-53**  
**WO5-58**  
**WO5-58D**  
**WO5-59**  
**WO5-60**  
**WO6-1**  
**WO6-2**  
**WO6-3**  
**WO7-61**  
**WO8-1**  
**WO8-1A**  
**WO8-2**  
**WO8-3**  
**WO8-4**  
**WO8-5**  
**WO8-6**  
**WO8-8**  
**WO8-9**  
**WO8-52**  
**WO9-1**  
**WO9-2**  
**WO12-1**  
**WO12-1D**  
**WO13-1**  
**WO13-2**  
**WO16-7**  
**WO16-9P**  
**WO24-1**

**WO57-51**  
**WO57-52**



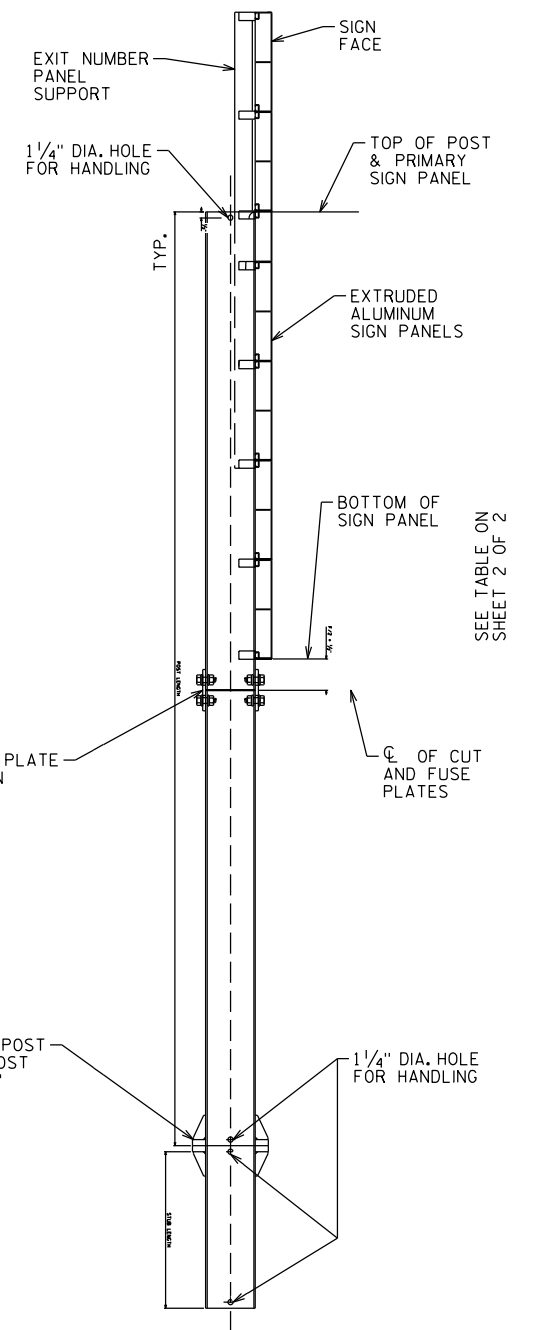
SIGN POST & STUB POST ELEVATION

STIFFENER PLATE DETAIL  
(REFER TO TABLE ON SHEET 2 OF 2 FOR DIMENSIONS)

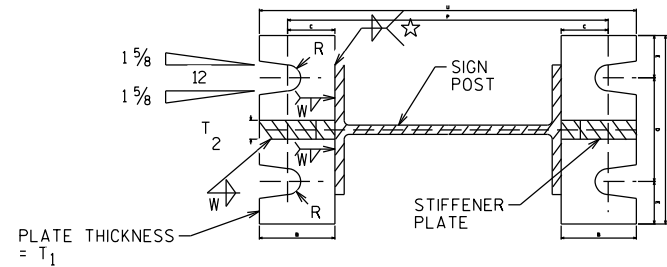


PERFORATED FUSE PLATE DETAIL

USE H.S. HEX HEAD BOLTS, HEX HEAD NUT AND FLAT WASHER UNDER NUT. ALL HOLES SHALL BE DRILLED, SUB-PUNCHED AND REAMED. ALL PLATE CUTS SHALL PREFERABLY BE SAW CUTS. HOWEVER, FLAME CUTTING WILL BE PERMITTED PROVIDED ALL EDGES ARE GROUND. METAL PROJECTING BEYOND THE PLANE OF THE PLATE FACE WILL NOT BE PERMITTED. STEEL FUSE PLATES SHALL CONFORM TO THE REQUIREMENTS OF ASTM A36, ASTM A572 GRADE 50 OR ASTM A588 MAY BE SUBSTITUTED FOR A36 AT THE OPTION OF THE FABRICATOR. MILL TEST REPORTS SHALL BE SUBMITTED FOR FUSE PLATES. STEEL USED SHALL HAVE AN ULTIMATE TENSILE STRENGTH NOT TO EXCEED 80 KSI.

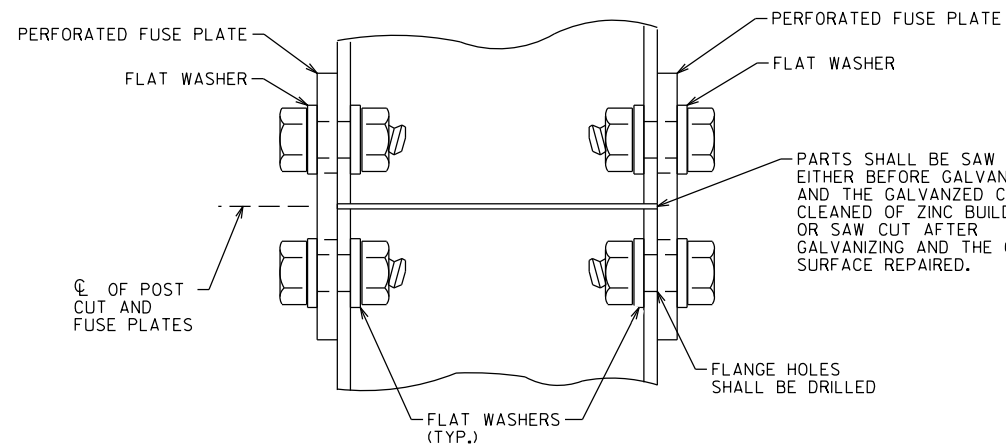


POST DETAIL

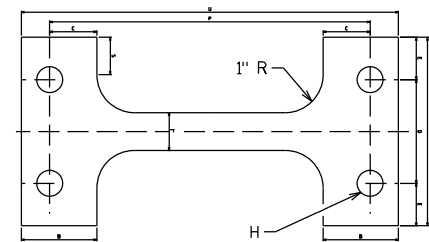


SECTION A-A

☆ WELD THICKNESS = FLANGE THICKNESS - 1/16"

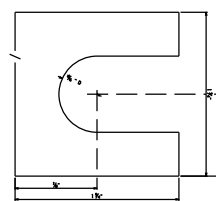


FUSE PLATE CONNECTION DETAIL



BOLT KEEPER PLATE DETAIL

30 GA GALVANIZED SHEET STEEL



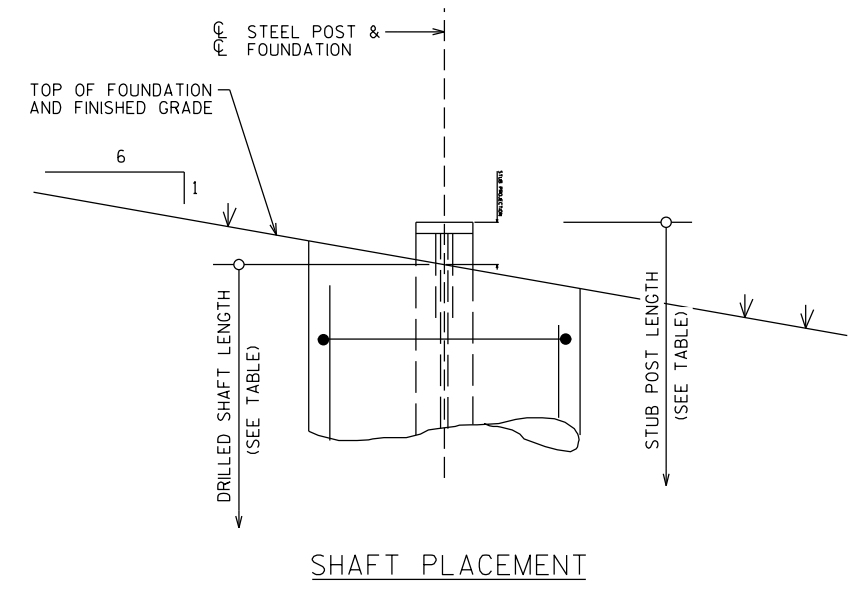
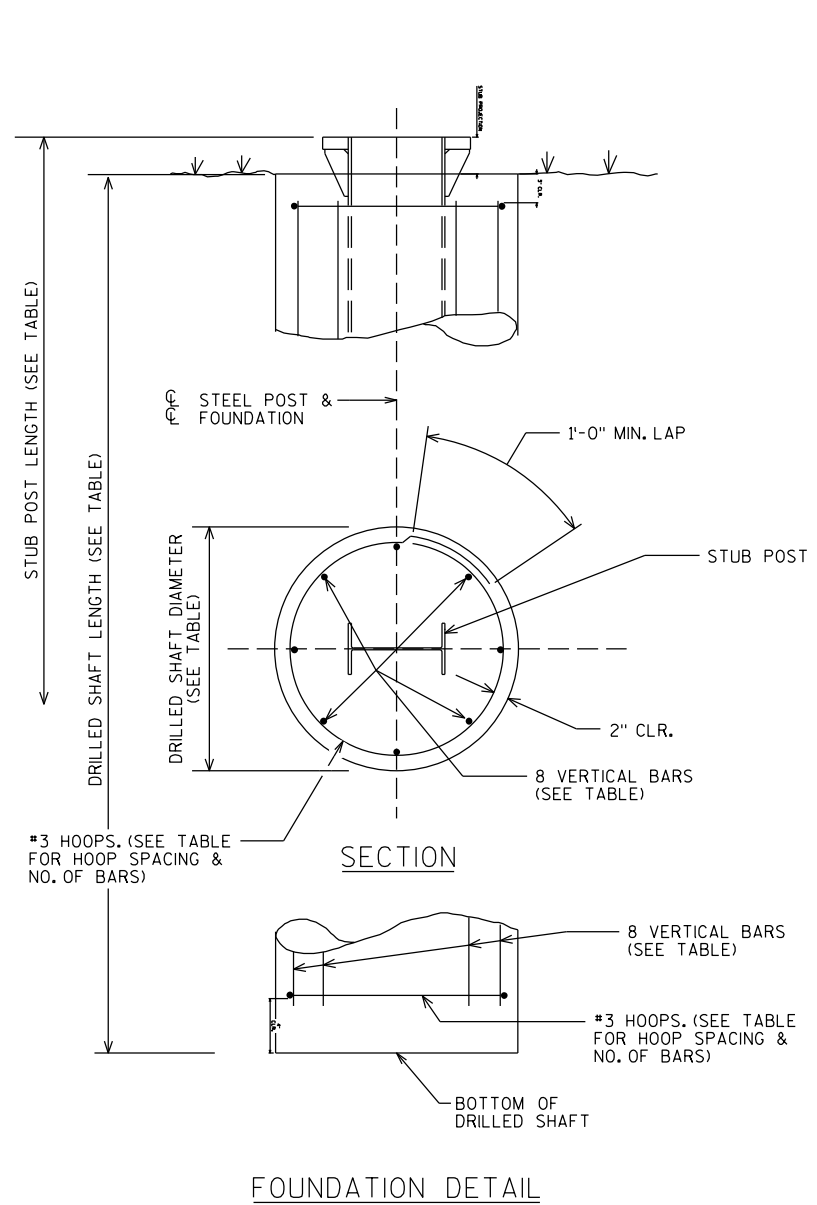
SHIM DETAIL

FURNISH TWO .012"± THICK AND TWO .032"± THICK SHIMS PER POST. SHIMS SHALL BE FABRICATED FROM BRASS SHIM STOCK OR STRIP CONFORMING TO ASTM B36.

BOLTING PROCEDURE FOR BASE CONNECTION

1. ASSEMBLE SIGN POST, BOLT KEEPER PLATE, AND STUB POST WITH BOLTS AND THREE FLAT WASHERS PER BOLT AS SHOWN.
2. SHIM AS REQUIRED TO PLUMB POST.
3. PRIOR TO BOLT TIGHTENING, LUBRICATE BASE CONNECTION BOLTS WITH BEESWAX OR OTHER HIGH-WAX LUBRICANT.
4. TIGHTEN ALL BOLTS THE MAXIMUM POSSIBLE WITH A 12" OR 15" WRENCH TO BED WASHERS & SHIMS AND TO CLEAN BOLT THREADS.
5. LOOSEN EACH BOLT IN TURN AND RETIGHTEN IN A SYSTEMATIC ORDER TO THE PERSCRIBED TORQUE. (SEE TABLE FOR PERSCRIBED TORQUE). DO NOT OVER-TIGHTEN.
6. BURR THREADS AT JUNCTION WITH NUT USING A CENTER PUNCH TO PREVENT NUT LOOSENING.

NO.	DATE	REVISION	BY
STATE OF WISCONSIN DEPARTMENT OF TRANSPORTATION STRUCTURES DESIGN SECTION			
STRUCTURE BTO TYPE I SIGNS			
		DRAWN BY	PLANS CK'D.
CONNECTION & FOUNDATION DETAILS 1 OF 2			SHEET A3-1.18



FOUNDATION DATA TABLE

POST SHAPE	STUB LENGTH	STUB PROJECTION	DRILLED SHAFT DIAMETER	DRILLED SHAFT LENGTH	VERTICAL BARS		HOOPS		CONCRETE VOLUME	TOTAL REINF. WEIGHT
					SIZE	LENGTH	MAX SPA.	NO.		
W6X15	2'-6"	3"	24"	6'-0"	#5	5'-5"	10"	8	0.7 CY	64 LB
W8X18	2'-6"	3"	24"	7'-0"	#6	6'-5"	12"	8	0.8 CY	96 LB
W8X21	3'-0"	2 1/2"	24"	7'-6"	#6	6'-11"	12"	8	0.9 CY	102 LB
W10X22	3'-0"	2 1/2"	24"	8'-0"	#7	7'-5"	12"	9	1.0 CY	143 LB
W12X26	3'-0"	2 1/2"	24"	9'-0"	#7	8'-5"	12"	10	1.1 CY	161 LB

◆ QUANTITIES SHOWN ARE FOR ONE DRILLED SHAFT

BASE CONNECTION & FUSE PLATE DATA TABLE

POST SHAPE	WEIGHT PER FOOT	BOLT SIZE & TORQUE	BASE CONNECTION DATA										BOLT KEEPER PLATE DATA			PERFORATED FUSE PLATE DATA										BOLT DIA.	WGT. EA. LBS	BOLT LENGTH	V
			A	B	C	D	E	T1	T2	W	R	P	S	U	F	G	J	K	M	D1	D2	T3							
W6X15	15 LB	5/8" DIA. X 2 3/4"	5"	2"	1 1/4"	2 3/4"	1 1/8"	3/4"	1/2"	1/4"	1 1/2"	8 1/2"	1"	10"	5"	2 1/2"	6"	3 1/2"	1 1/2"	1 1/8"	1 1/4"	3/8"	5/8"	2.4	2 1/4"	61.5 LB			
W8X18	18 LB	36 TO 38 FT-LB	5"	2"	1 1/4"	2 3/4"	1 1/8"	3/4"	1/2"	1/4"	1 1/2"	10 5/8"	1"	12 1/8"	5"	2 1/2"	5 1/4"	2 3/4"	1 1/4"	1 1/8"	1 1/8"	3/8"	5/8"	2.0	2 1/4"	68.5 LB			
W8X21	21 LB	3/4" DIA. X 3 1/2"	6"	2 1/4"	1 3/8"	3 1/2"	1 1/4"	1"	3/4"	5/8"	1 1/2"	11"	1 1/2"	12 3/4"	5 1/2"	2 1/2"	5 1/4"	2 3/4"	1 1/4"	1 3/8"	1"	1/2"	3/4"	3.1	2 1/4"	98.5 LB			
W10X22	22 LB	62 TO 63 FT-LB	6"	2 1/4"	1 3/8"	3 1/2"	1 1/4"	1"	3/4"	5/8"	1 1/2"	12 7/8"	1 1/2"	14 5/8"	6"	3"	5 3/4"	2 3/4"	1 3/8"	1 3/8"	1 1/8"	1/2"	3/4"	3.9	2 1/4"	103.1 LB			
W12X26	26 LB	62 TO 63 FT-LB	6"	2 1/4"	1 3/8"	3 1/2"	1 1/4"	1"	3/4"	5/8"	1 1/2"	15"	1 1/2"	16 3/4"	6"	3"	6 1/2"	3 1/2"	1 5/8"	1 5/8"	1 1/2"	3/4"	4.5	2 1/4"	116.4 LB				

■ TOTAL STRUCTURAL CARBON STEEL WEIGHT FOR ONE POST = V + (POST LENGTH X POST WEIGHT PER FOOT)  
 "V" INCLUDES STUB POST, BASE PLATES, STIFFENER PLATES, PERFORATED FUSE PLATES, BOLTS, NUTS, AND WASHERS.

GENERAL NOTES

DRAWINGS SHALL NOT BE SCALED  
 ALL POST, POST STUBS & ATTACHMENTS SHALL BE ASTM A709 GRADE 50, GALVANIZED IN ACCORDANCE WITH ASTM A123.  
 THE POST, BASE PLATES, UPPER SIX INCHES OF STUB POST, FLANGE SPLICE PLATE AND FUSE PLATE SHALL BE GALVANIZED AFTER FABRICATION.  
 H.S. BOLTS, WASHERS, & NUTS SHALL BE A325 GALVANIZED WHEN POSTS, POST STUBS AND ATTACHMENTS ARE A709 GRADE 50 AND GALVANIZED.

MATERIAL PROPERTIES

CONCRETE MASONRY F'C = 3,500 P.S.I.  
 BAR STEEL REINFORCEMENT (UNCOATED), GRADE 60 F<sub>y</sub> = 60,000 P.S.I.

DESIGN DATA

DESIGN CONFORMS TO AASHTO LRFD SPECIFICATIONS FOR STRUCTURAL SUPPORTS FOR HIGHWAY SIGNS, LUMINAIRES, AND TRAFFIC SIGNALS 1ST EDITION 2015 (WITH 2017 & 2018 INTERIM REVISIONS).

DEAD LOADS (DL):

- STEEL POST SELF WEIGHT
- SIGN PANEL WEIGHT = 3 PSF

WIND LOADS (WL):

WIND LOADS WERE APPLIED TO THE PROJECTED AREAS OF THE SIGN PANELS AND THE STEEL SIGN POSTS.

- BASIC WIND SPEED = 76 MPH
- MEAN RECURRENCE INTERVAL (MRI) = 10 YEARS
- HEIGHT & EXPOSURE FACTOR = 1.00
- DIRECTIONALITY FACTOR = 0.85
- GUST EFFECT FACTOR = 1.14

WIND LOAD CASES:

- WL CASE 1: 1.0 X NORMAL WIND
- WL CASE 2: 1.0 X TRANSVERSE WIND
- WL CASE 3: 0.75 X NORMAL WIND + 0.75 X TRANSVERSE WIND

LOAD COMBINATIONS:

LOAD COMBINATION	TYPE	DL FACTOR	WL FACTOR
STRENGTH I	GRAVITY	1.25	-
EXTREME I	WIND	1.10	1.0
		0.9	1.0
SERVICE I	DEFLECTION	1.0	1.0

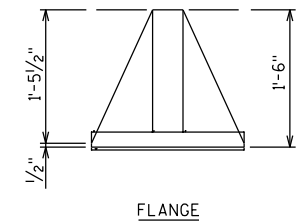
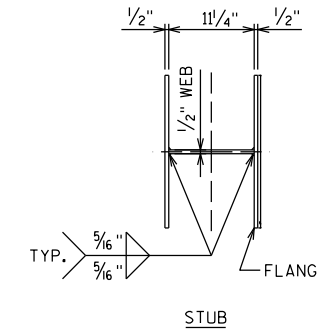
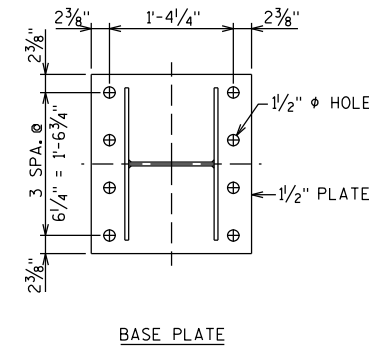
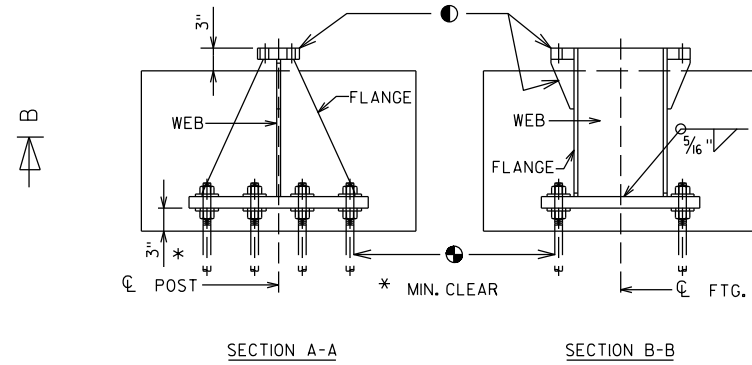
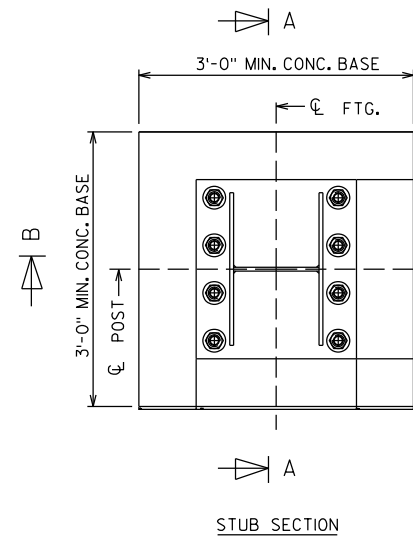
FOUNDATION DESIGN DATA

THE FOUNDATION DESIGN ASSUMED COHESIONLESS SOILS (LOOSE SAND) WITH THE FOLLOWING PROPERTIES:

- SOIL UNIT WEIGHT = 100 PCF
- ANGLE OF INTERNAL FRICTION = 30 DEGREES
- SOIL MODULUS PARAMETER = 25 LB/IN<sup>3</sup>

NO.	DATE	REVISION	BY
STATE OF WISCONSIN DEPARTMENT OF TRANSPORTATION STRUCTURES DESIGN SECTION			
STRUCTURE BTO TYPE 1 SIGNS			
DRAWN BY		PLANS CK'D.	
CONNECTION & FOUNDATION DETAILS 2 OF 2			SHEET A3-1.18

STUB AND ADHESIVE ANCHOR DETAILS



- SEE BASE CONNECTION DETAILS ON "CONNECTIONS & FOUNDATION DETAILS" SHEETS.
- ADHESIVE ANCHORS 1/4"-INCHES, ALLOWABLE PULL OUT CAPACITY = 15 KIPS. EMBED 1'-3" INTO ROCK.

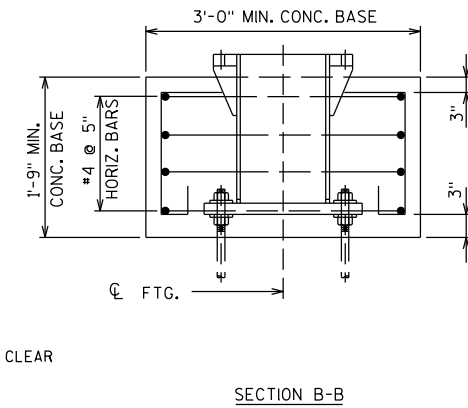
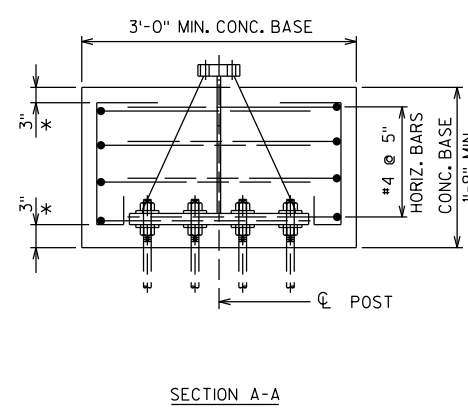
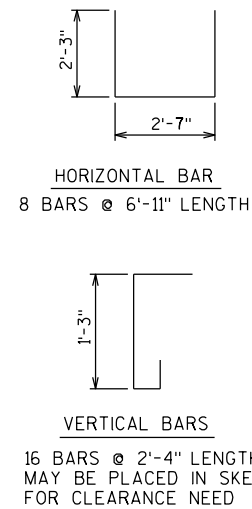
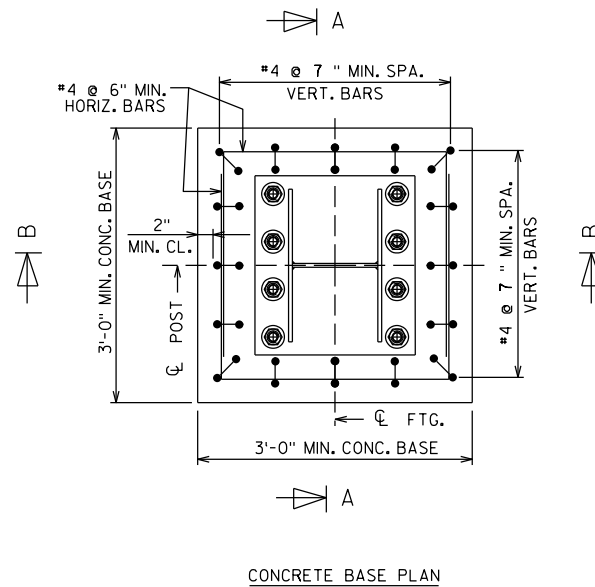
GENERAL NOTES:

QUANTITIES PER BASE:  
 REINFORCING STEEL = 62 LB  
 CONCRETE = 0.6 CY  
 STRUCTURAL STEEL = 335 LB

ALL MATERIALS, EXCEPT FOR ANCHOR ROD, NUTS, AND WASHERS, SHALL BE ASTM A709 GRADE 50. ALL MATERIALS TO BE GALVANIZED AFTER FABRICATION.

IF ROCK IS ENCOUNTERED PRIOR TO REACHING THE MINIMUM DRILLED SHAFT EMBEDMENT DEPTH DEFINED ON THE FOUNDATION DATA TABLE OF THE "CONNECTIONS & FOUNDATION DETAILS 2 OF 2" SHEET, THE CONTRACTOR SHALL INSTALL A TEST ADHESIVE ANCHOR AND DETERMINE THE PULL-OUT CAPACITY. IF THE FIELD TEST RESULTS IN A PULL-OUT CAPACITY GREATER THAN OR EQUAL TO 15 KIPS, THE CONTRACTOR MAY INSTALL THE ALTERNATE CONCRETE BASE AND BREAK-AWAY STUB PER THE DETAILS ON THIS SHEET.

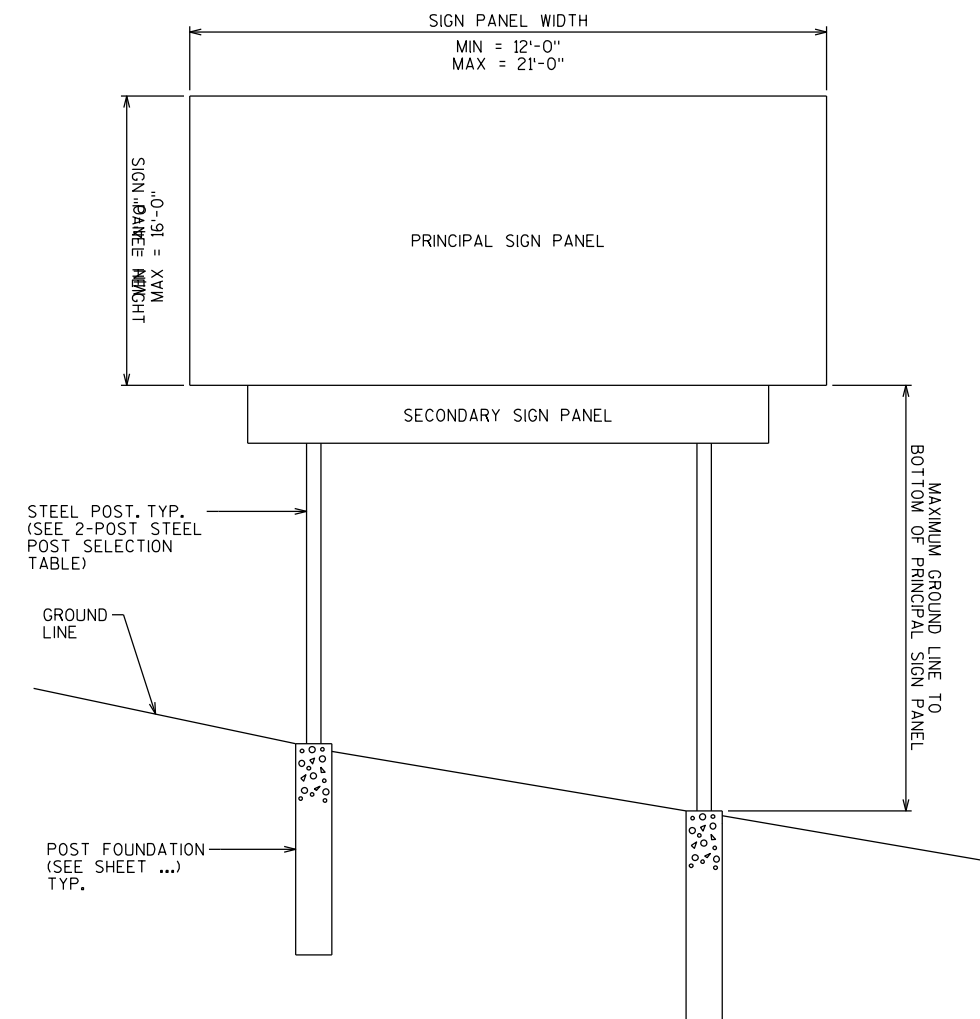
CONCRETE BASE DETAILS



NO.	DATE	REVISION	BY
STATE OF WISCONSIN DEPARTMENT OF TRANSPORTATION STRUCTURES DESIGN SECTION			
STRUCTURE BTO TYPE 1 SIGNS			
DRAWN BY		PLANS CK'D.	
ALTERNATE BREAK-AWAY BASE ON ROCK		SHEET A3-1M.2	

2-POST STEEL POST SELECTION TABLE

SIGN PANEL HEIGHT	MAXIMUM GROUND LINE TO BOTTOM OF PRINCIPAL SIGN PANEL												SIGN PANEL WIDTH														
	14'	13'	12'	11'	10'	9'	8'	7'	6'	5'	4'	3'	12'-0"	13'-0"	14'-0"	15'-0"	16'-0"	17'-0"	18'-0"	19'-0"	20'-0"	21'-0"					
16'	-	-	-	-	-	-	-	-	-	-	-	-	-	-	-	-	-	-	-	-	-	-					
15'	16'	-	-	-	-	-	-	-	-	-	-	-	-	-	-	-	-	-	-	-	-	-					
14'	15'	16'	-	-	-	-	-	-	-	-	-	-	W12X26	-	-	-	-	-	-	-	-	-					
13'	14'	15'	16'	-	-	-	-	-	-	-	-	-	W12X26	W12X26	-	-	-	-	-	-	-	-					
12'	13'	14'	15'	16'	-	-	-	-	-	-	-	-	W12X26	W12X26	W12X26	W12X26	-	-	-	-	-	-					
11'	12'	13'	14'	15'	16'	-	-	-	-	-	-	-	W12X26	W12X26	W12X26	W12X26	W12X26	W12X26	-	-	-	-					
10'	11'	12'	13'	14'	15'	16'	-	-	-	-	-	-	W10X22	W12X26	W12X26	W12X26	W12X26	W12X26	W12X26	W12X26	-	-					
9'	10'	11'	12'	13'	14'	15'	16'	-	-	-	-	-	W8X21	W10X22	W10X22	W12X26	W12X26	W12X26	W12X26	W12X26	W12X26	-					
8'	9'	10'	11'	12'	13'	14'	15'	16'	-	-	-	-	W8X21	W8X21	W10X22	W10X22	W12X26	W12X26	W12X26	W12X26	W12X26	W12X26					
7'	8'	9'	10'	11'	12'	13'	14'	15'	16'	-	-	-	W8X21	W8X21	W10X22	W10X22	W10X22	W12X26	W12X26	W12X26	W12X26	W12X26					
6'	7'	8'	9'	10'	11'	12'	13'	14'	15'	16'	-	-	W8X18	W8X18	W8X21	W10X22	W10X22	W10X22	W12X26	W12X26	W12X26	W12X26					
5'	6'	7'	8'	9'	10'	11'	12'	13'	14'	15'	16'	-	W8X18	W8X18	W8X21	W8X21	W10X22	W10X22	W10X22	W12X27	W12X26	W12X26					
4'	5'	6'	7'	8'	9'	10'	11'	12'	13'	14'	15'	16'	-	W8X18	W8X18	W8X18	W8X21	W8X21	W10X22	W10X22	W10X22	W12X26	W12X26				
-	4'	5'	6'	7'	8'	9'	10'	11'	12'	13'	14'	15'	16'	-	W6X15	W8X18	W8X18	W8X18	W8X21	W8X21	W10X22	W10X22	W12X26				
-	-	4'	5'	6'	7'	8'	9'	10'	11'	12'	13'	14'	15'	16'	-	W6X15	W6X15	W8X18	W8X18	W8X18	W8X21	W8X21	W10X22				
-	-	-	4'	5'	6'	7'	8'	9'	10'	11'	12'	13'	14'	15'	16'	-	W6X15	W6X15	W6X15	W8X18	W8X18	W8X18	W8X21	W10X22			
-	-	-	-	4'	5'	6'	7'	8'	9'	10'	11'	12'	13'	14'	15'	16'	-	W6X15	W6X15	W6X15	W6X15	W8X18	W8X18	W8X18	W8X21		
-	-	-	-	-	4'	5'	6'	7'	8'	9'	10'	11'	12'	13'	14'	15'	16'	-	W6X15	W6X15	W6X15	W6X15	W8X18	W8X18	W8X18	W8X21	
-	-	-	-	-	-	4'	5'	6'	7'	8'	9'	10'	11'	12'	13'	14'	15'	16'	-	W6X15	W6X15	W6X15	W6X15	W8X18	W8X18	W8X18	W8X18



2-POST SIGN CONFIGURATION

STEEL POST SELECTION NOTES:

USE PROPOSED SIGN PANEL DIMENSIONS AND THE MAXIMUM HEIGHT FROM THE GROUND LINE TO THE BOTTOM OF THE PRINCIPAL SIGN PANEL TO DETERMINE THE MINIMUM REQUIRED STEEL POST SIZE.

"-" INDICATES THAT THERE IS NO STANDARD STEEL POST DESIGN FOR THE PROPOSED SIGN CONFIGURATION. CONTACT THE WISDOT BUREAU OF STRUCTURES TO REQUEST AN ANALYSIS AND DESIGN FOR THE PROPOSED SIGN CONFIGURATION.

IF A PROPOSED SIGN PANEL HEIGHT DIMENSION IS IN A 6" INCREMENT, SELECT THE MINIMUM REQUIRED STEEL POST SIZE THAT FALLS WITHIN THE NEXT LARGEST 1-FOOT INCREMENT. (FOR EXAMPLE, IF THE REQUIRED SIGN PANEL HEIGHT IS 12'-6", SELECT THE POST SIZE BASED ON A SIGN PANEL HEIGHT OF 13'-0")

FOR PROPOSED SIGN CONFIGURATIONS WHERE THE POST HEIGHTS VARY, SELECT THE STEEL POST SIZE BASED ON THE MAXIMUM DIMENSION FROM THE GROUND LINE TO THE BOTTOM OF PRINCIPAL SIGN PANEL. (FOR EXAMPLE, IF THE DIMENSION FROM THE GROUND LINE TO THE BOTTOM OF THE PRINCIPAL SIGN PANEL IS 8- FEET FOR ONE POST AND 10- FEET FOR THE SECOND POST, SELECT THE POST SIZE BASED ON THE 10-FOOT DIMENSION.)

NO.	DATE	REVISION	BY
STATE OF WISCONSIN DEPARTMENT OF TRANSPORTATION STRUCTURES DESIGN SECTION			
STRUCTURE BTO TYPE I SIGNS			
DRAWN BY		PLANS CK'D.	
2-POST SIGN CONFIGURATION			SHEET A3-2.3

3-POST STEEL POST SELECTION TABLE

SIGN PANEL HEIGHT	MAXIMUM GROUND LINE TO BOTTOM OF PRINCIPAL SIGN PANEL										SIGN PANEL WIDTH																										
	14'	13'	12'	11'	10'	9'	8'	7'	6'	5'	12'-0"	13'-0"	14'-0"	15'-0"	16'-0"	17'-0"	18'-0"	19'-0"	20'-0"	21'-0"	22'-0"	23'-0"	24'-0"	25'-0"	26'-0"	27'-0"	28'-0"	29'-0"	30'-0"	31'-0"	32'-0"	33'-0"	34'-0"	35'-0"	36'-0"		
16'	-	-	-	-	-	-	-	-	-	-	-	-	-	-	-	-	-	-	-	-	-	-	-	-	-	-	-	-	-	-	-	-	-	-	-	-	
15'	16'	-	-	-	-	-	-	-	-	-	-	-	-	-	-	-	-	-	-	-	-	-	-	-	-	-	-	-	-	-	-	-	-	-	-	-	
14'	15'	16'	-	-	-	-	-	-	-	-	-	W12X26	W12X26	W12X26	W12X26	W12X26	-	-	-	-	-	-	-	-	-	-	-	-	-	-	-	-	-	-	-	-	
13'	14'	15'	16'	-	-	-	-	-	-	-	-	W12X26	W12X26	W12X26	W12X26	W12X26	W12X26	-	-	-	-	-	-	-	-	-	-	-	-	-	-	-	-	-	-	-	
12'	13'	14'	15'	16'	-	-	-	-	-	-	-	W12X26	W12X26	W12X26	W12X26	W12X26	W12X26	-	-	-	-	-	-	-	-	-	-	-	-	-	-	-	-	-	-	-	
11'	12'	13'	14'	15'	16'	-	-	-	-	-	-	W12X26	W12X26	W12X26	W12X26	W12X26	W12X26	-	-	-	-	-	-	-	-	-	-	-	-	-	-	-	-	-	-	-	
10'	11'	12'	13'	14'	15'	16'	-	-	-	-	-	W12X26	W12X26	W12X26	W12X26	W12X26	W12X26	W12X26	-	-	-	-	-	-	-	-	-	-	-	-	-	-	-	-	-	-	
9'	10'	11'	12'	13'	14'	15'	16'	-	-	-	-	W12X26	W12X26	W12X26	W12X26	W12X26	W12X26	W12X26	-	-	-	-	-	-	-	-	-	-	-	-	-	-	-	-	-	-	
8'	9'	10'	11'	12'	13'	14'	15'	16'	-	-	-	W12X26	W12X26	W12X26	W12X26	W12X26	W12X26	W12X26	W12X26	-	-	-	-	-	-	-	-	-	-	-	-	-	-	-	-	-	
7'	8'	9'	10'	11'	12'	13'	14'	15'	16'	-	-	W10X22	W12X26	W12X26	W12X26	W12X26	W12X26	W12X26	W12X26	-	-	-	-	-	-	-	-	-	-	-	-	-	-	-	-	-	-
6'	7'	8'	9'	10'	11'	12'	13'	14'	15'	-	-	W10X22	W10X22	W12X26	W12X26	W12X26	W12X26	W12X26	W12X26	W12X26	W12X26	W12X26	W12X26	W12X26	W12X26	W12X26	W12X26	W12X26	W12X26	W12X26	W12X26	W12X26	W12X26	W12X26	W12X26	W12X26	
5'	6'	7'	8'	9'	10'	11'	12'	13'	14'	-	-	W10X22	W10X22	W10X22	W10X22	W12X26	W12X26	W12X26	W12X26	W12X26	W12X26	W12X26	W12X26	W12X26	W12X26	W12X26	W12X26	W12X26	W12X26	W12X26	W12X26	W12X26	W12X26	W12X26	W12X26	W12X26	W12X26
4'	5'	6'	7'	8'	9'	10'	11'	12'	13'	-	-	W8X21	W10X22	W10X22	W10X22	W10X22	W12X26	W12X26	W12X26	W12X26	W12X26	W12X26	W12X26	W12X26	W12X26	W12X26	W12X26	W12X26	W12X26	W12X26	W12X26	W12X26	W12X26	W12X26	W12X26	W12X26	W12X26
-	4'	5'	6'	7'	8'	9'	10'	11'	12'	-	-	W8X21	W8X21	W10X22	W10X22	W10X22	W10X22	W10X22	W10X22	W10X22	W10X22	W10X22	W10X22	W10X22	W10X22	W10X22	W10X22	W10X22	W10X22	W10X22	W10X22	W10X22	W10X22	W10X22	W10X22	W10X22	W10X22
-	-	4'	5'	6'	7'	8'	9'	10'	11'	-	-	W8X18	W8X21	W8X21	W10X22	W10X22	W10X22	W10X22	W10X22	W10X22	W10X22	W10X22	W10X22	W10X22	W10X22	W10X22	W10X22	W10X22	W10X22	W10X22	W10X22	W10X22	W10X22	W10X22	W10X22	W10X22	
-	-	-	4'	5'	6'	7'	8'	9'	10'	-	-	W8X18	W8X18	W8X21	W8X21	W8X21	W10X22	W10X22	W10X22	W10X22	W10X22	W10X22	W10X22	W10X22	W10X22	W10X22	W10X22	W10X22	W10X22	W10X22	W10X22	W10X22	W10X22	W10X22	W10X22	W10X22	
-	-	-	-	4'	5'	6'	7'	8'	9'	-	-	W8X18	W8X18	W8X18	W8X18	W8X21	W8X21	W8X21	W8X21	W8X21	W8X21	W8X21	W8X21	W8X21	W8X21	W8X21	W8X21	W8X21	W8X21	W8X21	W8X21	W8X21	W8X21	W8X21	W8X21	W8X21	
-	-	-	-	-	4'	5'	6'	7'	8'	-	-	W6X15	W8X18	W8X18	W8X18	W8X18	W8X18	W8X18	W8X18	W8X18	W8X18	W8X18	W8X18	W8X18	W8X18	W8X18	W8X18	W8X18	W8X18	W8X18	W8X18	W8X18	W8X18	W8X18	W8X18	W8X18	
-	-	-	-	-	-	4'	5'	6'	7'	-	-	W6X15	W6X15	W8X18	W8X18	W8X18	W8X18	W8X18	W8X18	W8X18	W8X18	W8X18	W8X18	W8X18	W8X18	W8X18	W8X18	W8X18	W8X18	W8X18	W8X18	W8X18	W8X18	W8X18	W8X18	W8X18	

SEE "2-POST SIGN CONFIGURATION" SHEET

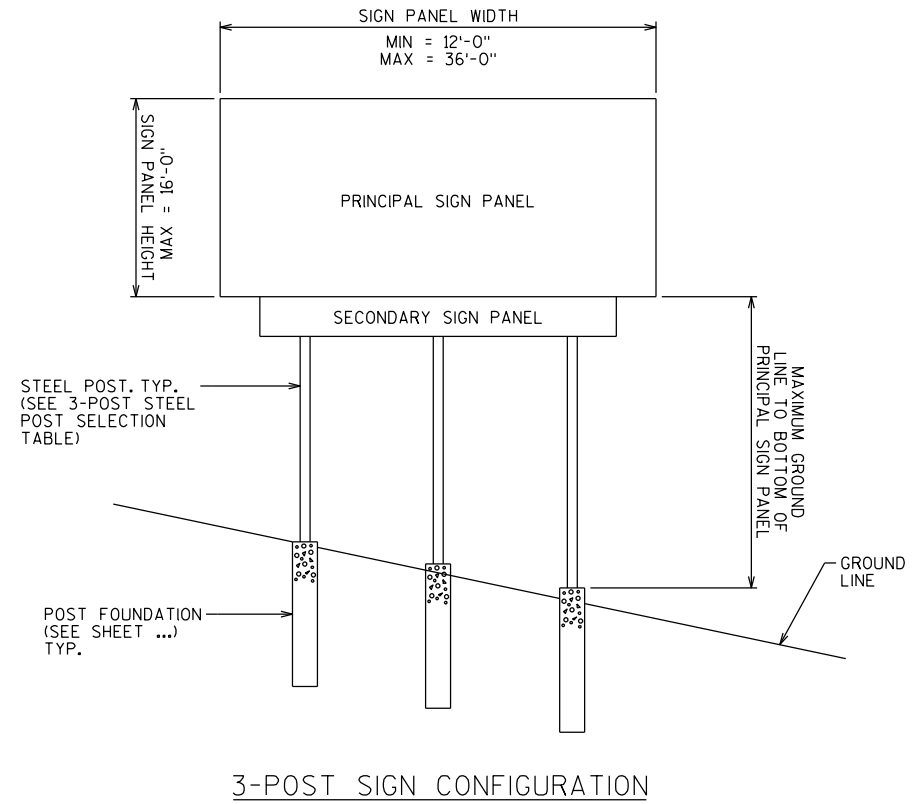
STEEL POST SELECTION NOTES:

USE PROPOSED SIGN PANEL DIMENSIONS AND THE MAXIMUM HEIGHT FROM THE GROUND LINE TO THE BOTTOM OF THE PRINCIPAL SIGN PANEL TO DETERMINE THE MINIMUM REQUIRED STEEL POST SIZE.

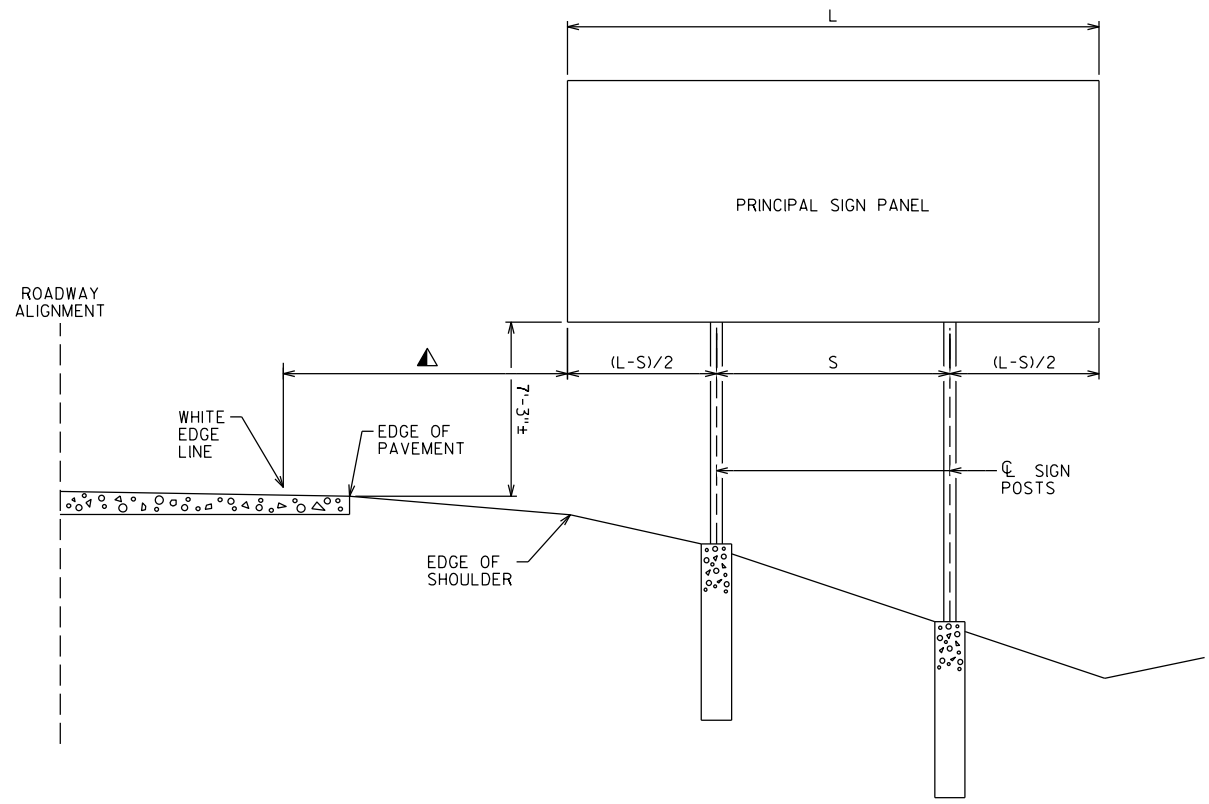
"-" INDICATES THAT THERE IS NO STANDARD STEEL POST DESIGN FOR THE PROPOSED SIGN CONFIGURATION. CONTACT THE WISDOT BUREAU OF STRUCTURES TO REQUEST AN ANALYSIS AND DESIGN FOR THE PROPOSED SIGN CONFIGURATION.

IF A PROPOSED SIGN PANEL HEIGHT DIMENSION IS IN A 6" INCREMENT, SELECT THE MINIMUM REQUIRED STEEL POST SIZE THAT FALLS WITHIN THE NEXT LARGEST 1-FOOT INCREMENT. (FOR EXAMPLE, IF THE REQUIRED SIGN PANEL HEIGHT IS 12'-6", SELECT THE POST SIZE BASED ON A SIGN PANEL HEIGHT OF 13'-0")

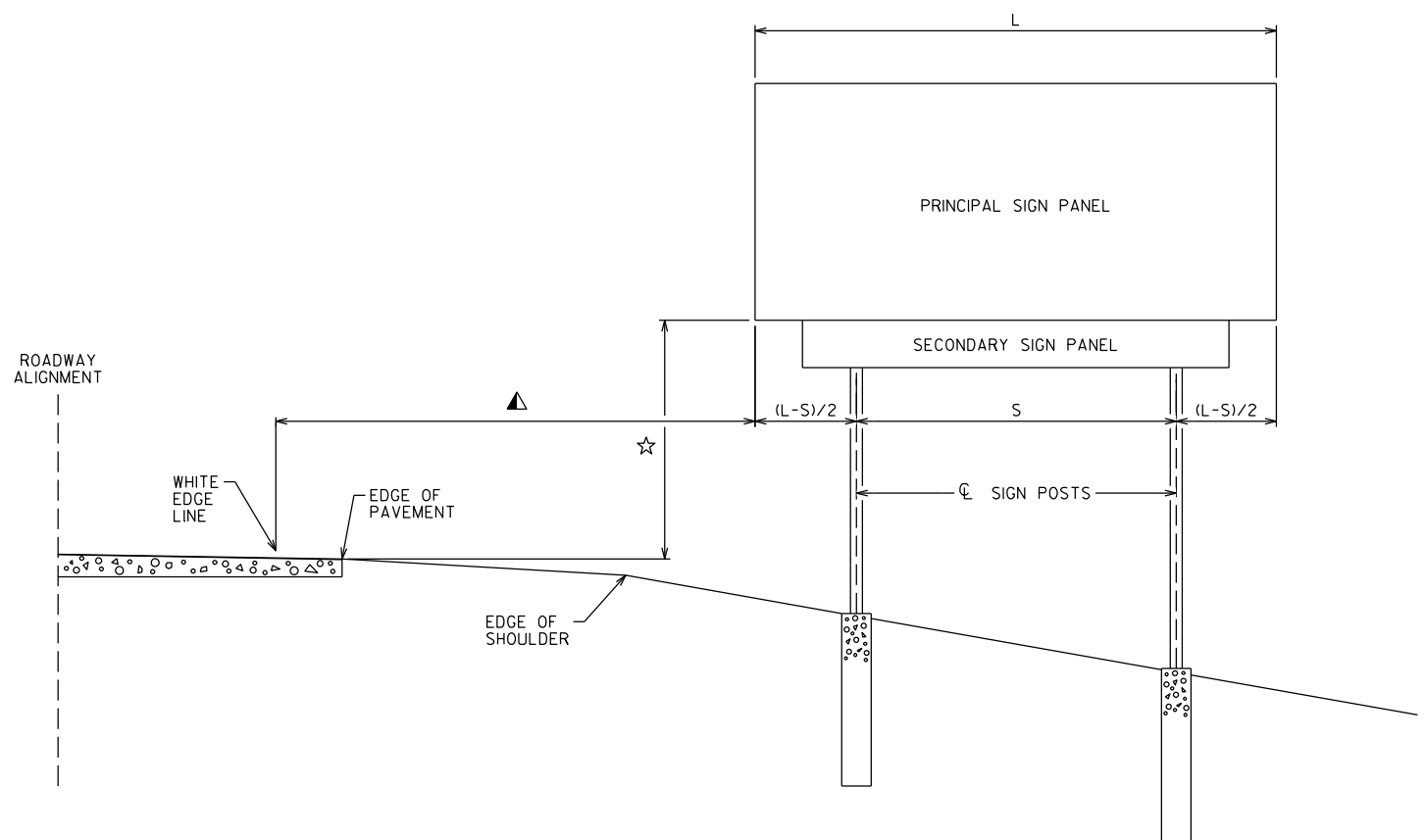
FOR PROPOSED SIGN CONFIGURATIONS WHERE THE POST HEIGHTS VARY, SELECT THE STEEL POST SIZE BASED ON THE MAXIMUM DIMENSION FROM THE GROUND LINE TO THE BOTTOM OF PRINCIPAL SIGN PANEL. (FOR EXAMPLE, IF THE DIMENSION FROM THE GROUND LINE TO THE BOTTOM OF THE PRINCIPAL SIGN PANEL IS 8- FEET FOR ONE POST AND 10- FEET FOR THE SECOND POST, SELECT THE POST SIZE BASED ON THE 10-FOOT DIMENSION.)



NO.	DATE	REVISION	BY
STATE OF WISCONSIN DEPARTMENT OF TRANSPORTATION STRUCTURES DESIGN SECTION			
STRUCTURE BTO TYPE I SIGNS			
DRAWN BY		PLANS CK'D.	
3-POST SIGN CONFIGURATION			SHEET A3-3.3



INSTALLATION WITHOUT SECONDARY SIGN



INSTALLATION WITH SECONDARY SIGN

**TYPE 1 SIGN INSTALLATION NOTES:**

FOR A 2-POST INSTALLATION, "S" EQUALS  $3L/5$ , BUT SHALL NOT BE LESS THAN 6'-0".

FOR A 3-POST INSTALLATION, "S" EQUALS  $5L/7$ , BUT SHALL NOT BE LESS THAN 12'-0". THE SPACING BETWEEN ANY TWO POSTS SHALL NOT BE LESS THAN 6'-0".

▲ UNLESS NOTED IN THE PLANS, THE SIGN OFFSET DISTANCE SHALL BE A MINIMUM OF 17'-6" FROM THE WHITE EDGE LINE, DESIRABLE 30'-0".

THE ± TOLERANCE SHOWN ON THIS SHEETS IS 3".

THE VERTICAL SIGN HEIGHT CLEARANCES SHOWN ON THIS SHEET ARE MEASURED FROM THE BOTTOM OF THE SIGN PANEL TO THE NEAR EDGE OF PAVEMENT.

☆ THE VERTICAL CLEARANCE SHALL BE 8'-3" ± WHEN THE SECONDARY SIGN HEIGHT IS 3'-0" OR LESS. FOR SECONDARY SIGN HEIGHTS LARGER THAN 3'-0", THE VERTICAL CLEARANCE TO THE BOTTOM OF THE SECONDARY SIGN PANEL SHALL BE 5'-3" ±.

POST LENGTHS SHOWN IN THE MISCELLANEOUS QUANTITIES ARE ESTIMATED LENGTHS. THE CONTRACTOR SHALL VERIFY POST LENGTHS AT THE TIME OF FINAL GRADING.

REFER TO THE TRAFFIC ENGINEERING OPERATIONS AND SAFETY MANUAL FOR FURTHER GUIDANCE ON MINIMUM VERTICAL CLEARANCE REQUIREMENTS.

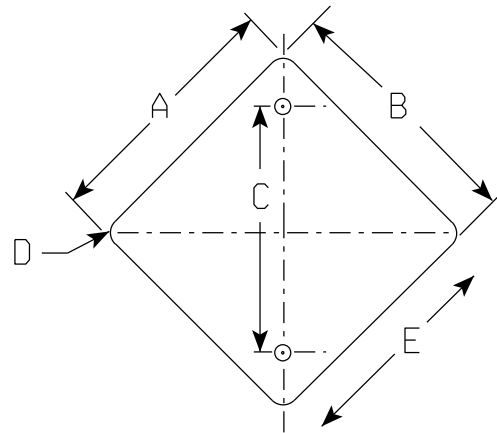
NO.	DATE	REVISION	BY
STATE OF WISCONSIN DEPARTMENT OF TRANSPORTATION STRUCTURES DESIGN SECTION			
STRUCTURE BTO TYPE 1 SIGNS			
DRAWN BY		PLANS CK'D.	
TYPICAL TYPE 1 SIGN INSTALLATION			SHEET A4-1.10

PROJECT NO: \_\_\_\_\_ HWY: \_\_\_\_\_ COUNTY: \_\_\_\_\_ SHEET NO: \_\_\_\_\_ **E**

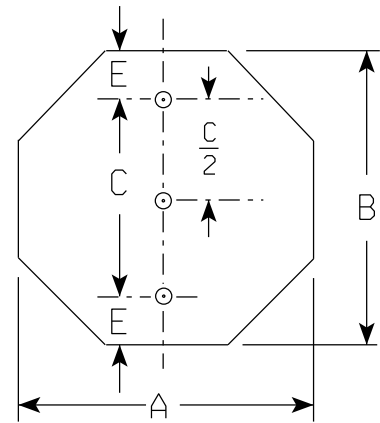
7

7

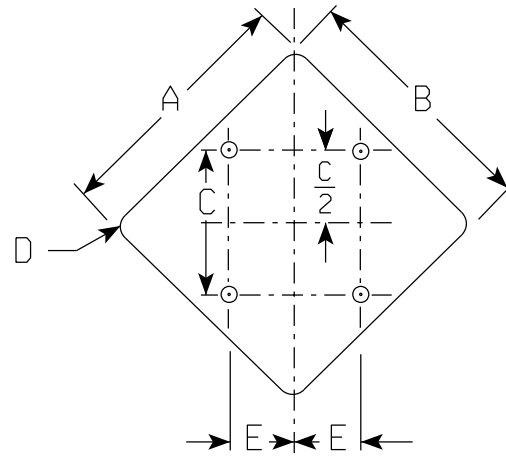




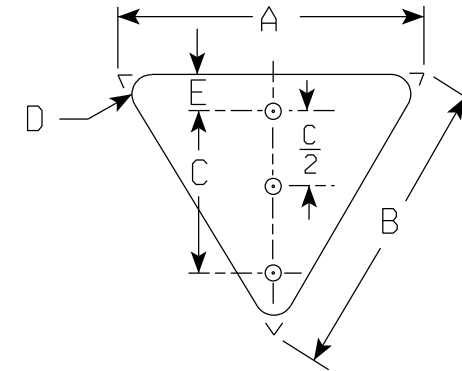
1



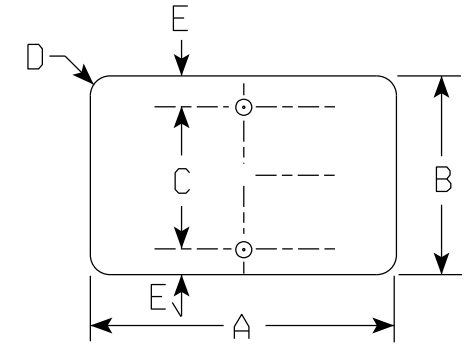
2



3



4



5

NOTES

1. All sign blanks shall have 7/16" Diameter mounting hole.

ALUMINUM THICKNESS

SIGN WIDTH	NOMINAL THICKNESS
30 inches and under	0.080 inch
Greater than 30-36 inches	0.100 inch
Over 36 inches	0.125 inch

STOP SIGN THICKNESS

SIGN WIDTH	NOMINAL THICKNESS
30 inches	0.100 inch
36-48 inches	0.125 inch

TYPE 1						
A	B	C	D	E	Area Sq. Ft.	Mounting Holes
18	18	18	1 1/2	14	2.25	2
24	24	24	1 1/2	20	4.0	2
30	30	30	1 7/8	22	6.25	2
36	36	36	2 1/4	26	9.0	2

TYPE 4						
A	B	C	D	E	Area Sq. Ft.	Mounting Holes
18	18	14	1	2	1.95	2
36	36	24	2	2	3.9	2
48	48	32	3	3	7.0	2

TYPE 5 CONT'D.						
A	B	C	D	E	Area Sq. Ft.	Mounting Holes
30	30	22	1 7/8	4	6.25	2
36	12	8	1 1/2	2	3.0	2
36	18	14	1 1/2	2	4.5	2
36	24	20	1 1/2	2	6.0	2
36	36	26	2 1/4	5	9.0	2
40	18	14	1 1/2	2	5.00	2
42	21	17	1 7/8	2	6.125	2
42	30	22	1 7/8	4	8.75	2
48	24	20	1 7/8	2	8.0	2

TYPE 2					
A	B	C	E	Area Sq. Ft.	Mounting Holes
24	24	20	2	3.31	2
30	30	24	3	5.18	2
36	36	28	4	7.46	2
48	48	36	6	13.25	3

TYPE 5						
A	B	C	D	E	Area Sq. Ft.	Mounting Holes
8	8	6	1 1/2	1	0.44	2
12	12	9	1 1/2	1 1/2	1.00	2
18	18	14	1 1/2	2	2.25	2
21	15	11	1 1/2	2	2.19	2
21	21	17	1 1/2	2	3.06	2
24	12	8	1 1/2	2	2.0	2
24	18	14	1 1/2	2	3.0	2
24	24	20	1 1/2	2	4.0	2
30	12	8	1 1/2	2	2.5	2
30	15	11	1 1/2	2	3.13	2
30	18	14	1 1/2	2	3.75	2
30	21	17	1 1/2	2	4.37	2
30	24	20	1 1/2	2	5.0	2

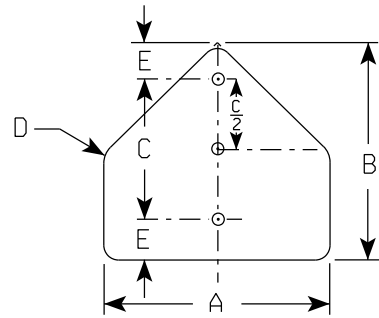
TYPE 3						
A	B	C	D	E	Area Sq. Ft.	Mounting Holes
48	48	26	3	13	16.0	4

STANDARD LAYOUT OF ALUMINUM SIGN BLANKS  
SHEET 1 OF 3

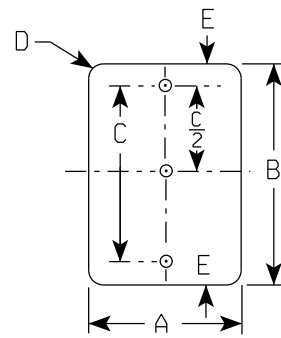
WISCONSIN DEPT OF TRANSPORTATION

APPROVED *Matthew R. Rauch*  
for State Traffic Engineer

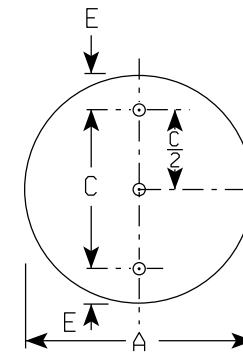
DATE 8/23/18 PLATE NO. A5-3.24



6



7



8

NOTES

1. All sign blanks shall have 7/16" Diameter mounting holes.

TYPE 6						
A	B	C	D	E	Area Sq. Ft.	Mounting Holes
30	30	24	1 3/8	3	4.68	2
36	36	26	1 5/8	5	6.75	2
48	48	32	1 7/8	8	12.0	3

TYPE 7 *							
A	B	C	D	E	Area Sq. Ft.	Mounting Holes	
12	18	15	1 1/2	1 1/2	1.5	2	
12	24	20	1 1/2	2	2.0	2	
12	36	24	1 1/2	6	3.0	2	
12	48	32	1 1/2	8	4.0	3	
15	21	18	1 1/2	1 1/2	2.19	2	
18	24	20	1 1/2	2	3.0	2	
18	36	24	1 1/2	6	4.5	2	
18	54	36	2 1/2	9	6.75	3	
21	60	40	1 1/2	10	8.75	3	
21	72	52	1 1/2	10	10.5	3	
24	30	22	1 1/2	4	5.0	2	
24	36	24	1 1/2	6	6.0	2	
24	39	27	1 1/2	6	6.5	3	
24	45	33	1 7/8	6	7.5	3	
24	48	32	1 7/8	8	8.0	3	
24	57	37	1 7/8	10	9.5	3	
36	48	32	1 7/8	8	12.0	3	
30	36	24	1 7/8	6	7.5	2	
36	54	36	2 1/4	9	12.75	3	
36	57	37	1 7/8	10	14.25	3	
48	39	27	1 7/8	10	13.0	3	
48	45	32	1 7/8	10	14.0	3	
48	57	37	3	10	19.0	3	

TYPE 8						
A	B	C	E	Area Sq. Ft.	Mounting Holes	
30	—	24	3	4.91	2	
36	—	26	5	7.07	2	
48	—	32	8	12.5	3	

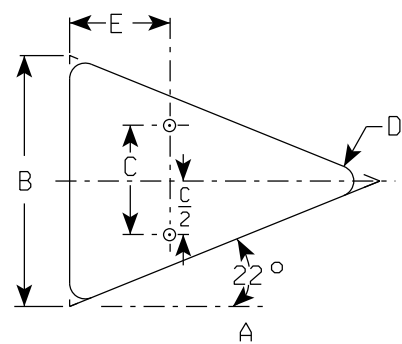
\* FOR SIGNS OVER 57" IN HEIGHT, PROVIDE 3 MOUNTING HOLES AT 10" FROM THE TOP AND BOTTOM OF SIGN AND IN THE CENTER OF SIGN.

STANDARD LAYOUT OF ALUMINUM SIGN BLANKS  
SHEET 2 OF 3

WISCONSIN DEPT OF TRANSPORTATION

APPROVED *Matthew R Rauch*  
For State Traffic Engineer

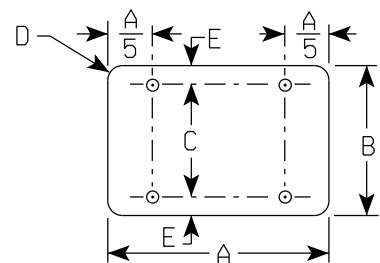
DATE 8/23/18 PLATE NO. A5-3.24



10

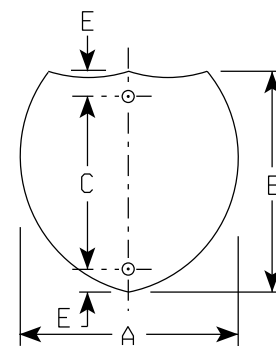
TYPE 10 (NOTE 1)						
A	B	C	D	E	Area Sq. Ft.	Mounting Holes
48	36	14	2 1/4	16	6.0	2

TYPE 11						
A	B	C	D	E	Area Sq. Ft.	Mounting Holes
66	12	8	3	2	5.5	4
66	18	14	3	2	8.25	4
66	24	20	3	2	11.0	4
66	30	22	3	4	13.75	4
66	36	28	3	4	16.5	4
66	42	34	3	4	19.25	4
66	48	40	3	4	22.0	4
72	12	8	3	2	6.0	4
72	18	14	3	2	9.0	4
72	24	20	3	2	12.0	4
72	30	22	3	4	15.0	4
72	36	28	3	4	18.0	4
72	42	34	3	4	21.0	4
72	48	40	3	4	24.0	4



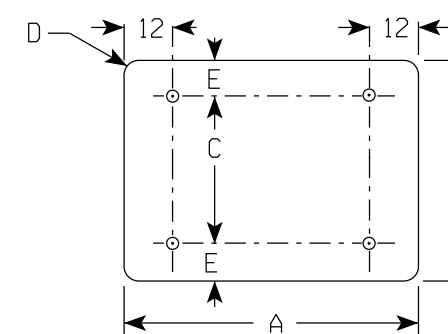
11

TYPE 12 (NOTE 2)						
A	B	C	E	Area Sq. Ft.	Mounting Holes	
24	24	18	3	3.13	2	
30	24	18	3	3.91	2	
36	36	28	4	7.03	2	
45	36	28	4	8.79	2	



12

TYPE 13							
A	B	C	D	E	Area Sq. Ft.	Mounting Holes	
48	60	40	3	10	20.0	4	
54	12	8	1 1/2	2	4.5	4	
54	15	11	1 1/2	2	5.63	4	
54	18	14	1 1/2	2	6.75	4	
54	21	17	1 1/2	2	7.88	4	
54	24	20	1 7/8	2	9.0	4	
54	36	28	1 7/8	4	13.5	4	
54	48	40	1 7/8	4	18.0	4	
60	12	8	1 1/2	2	5.0	4	
60	18	14	1 1/2	2	7.5	4	
60	24	20	1 7/8	2	10.0	4	
60	30	22	1 7/8	4	12.5	4	
60	36	28	1 7/8	4	15.0	4	
60	42	34	1 7/8	4	17.5	4	
60	48	40	3	4	20.0	4	



13

NOTES

1. Dimension A on type #10 is measured to the theoretical intersections of the edges.
2. Shape of type #12 shall conform to FHWA standard for Interstate route markers.
3. All signs over 60" in width shall have 3" radius on the outside corners of the aluminum blank.
4. For signs over 60" in width see sign plate A4-18 for hole placement.

STANDARD LAYOUT OF ALUMINUM SIGN BLANKS SHEET 3 OF 3

WISCONSIN DEPT OF TRANSPORTATION

APPROVED *Matthew R. Rauch*  
for State Traffic Engineer

DATE 8/23/18 PLATE NO. A5.3.24

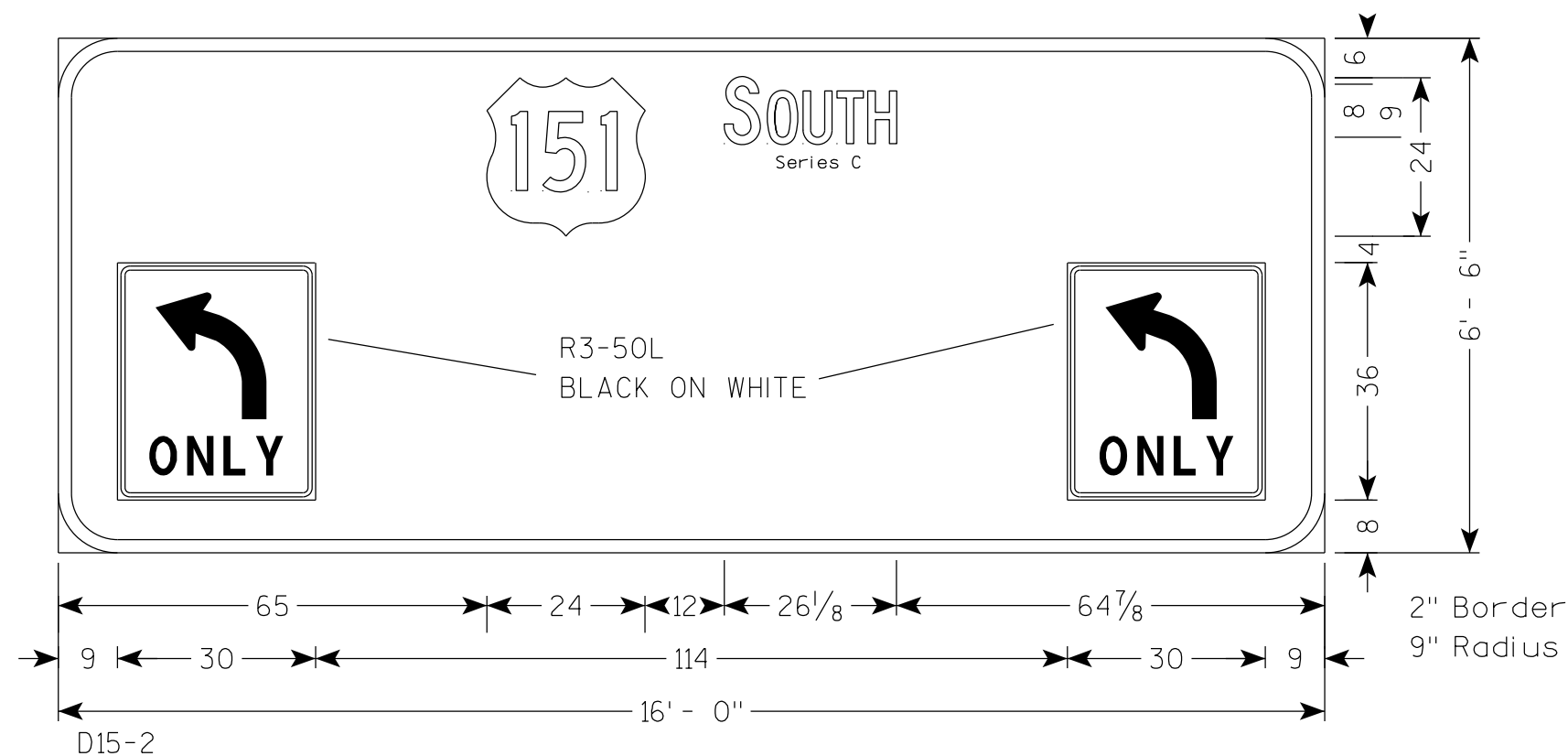
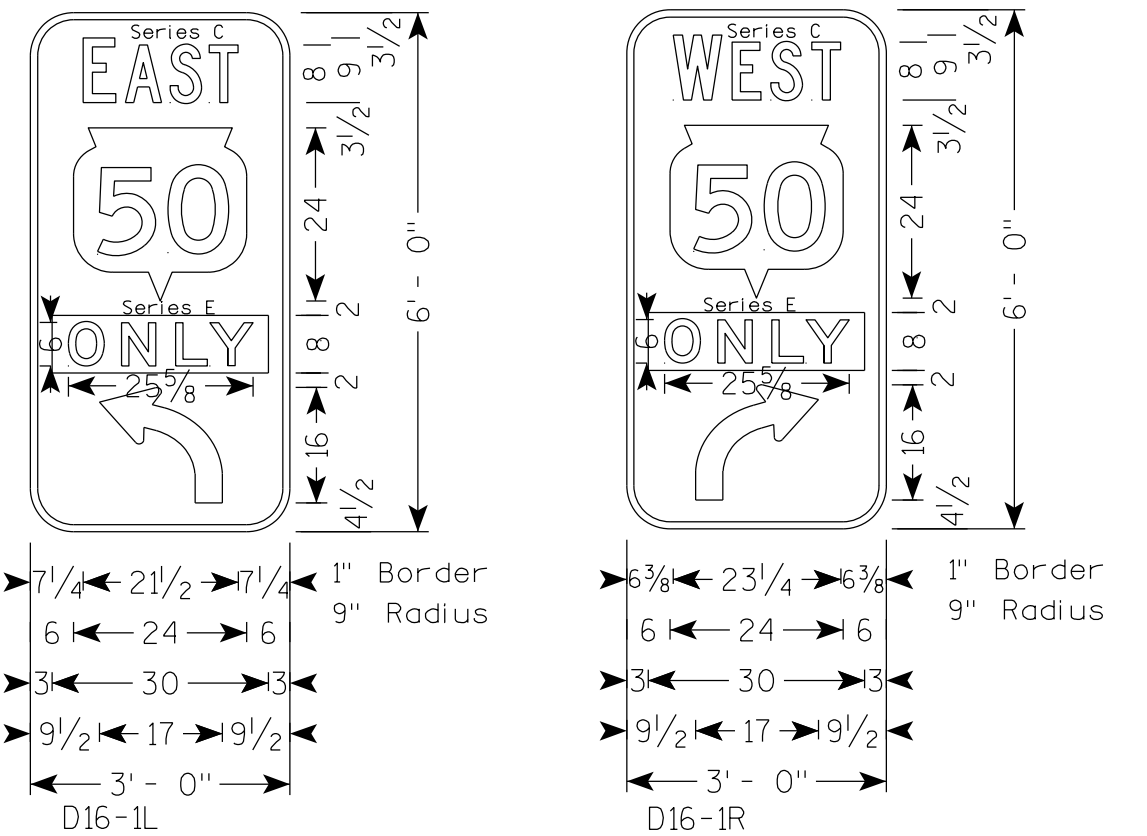
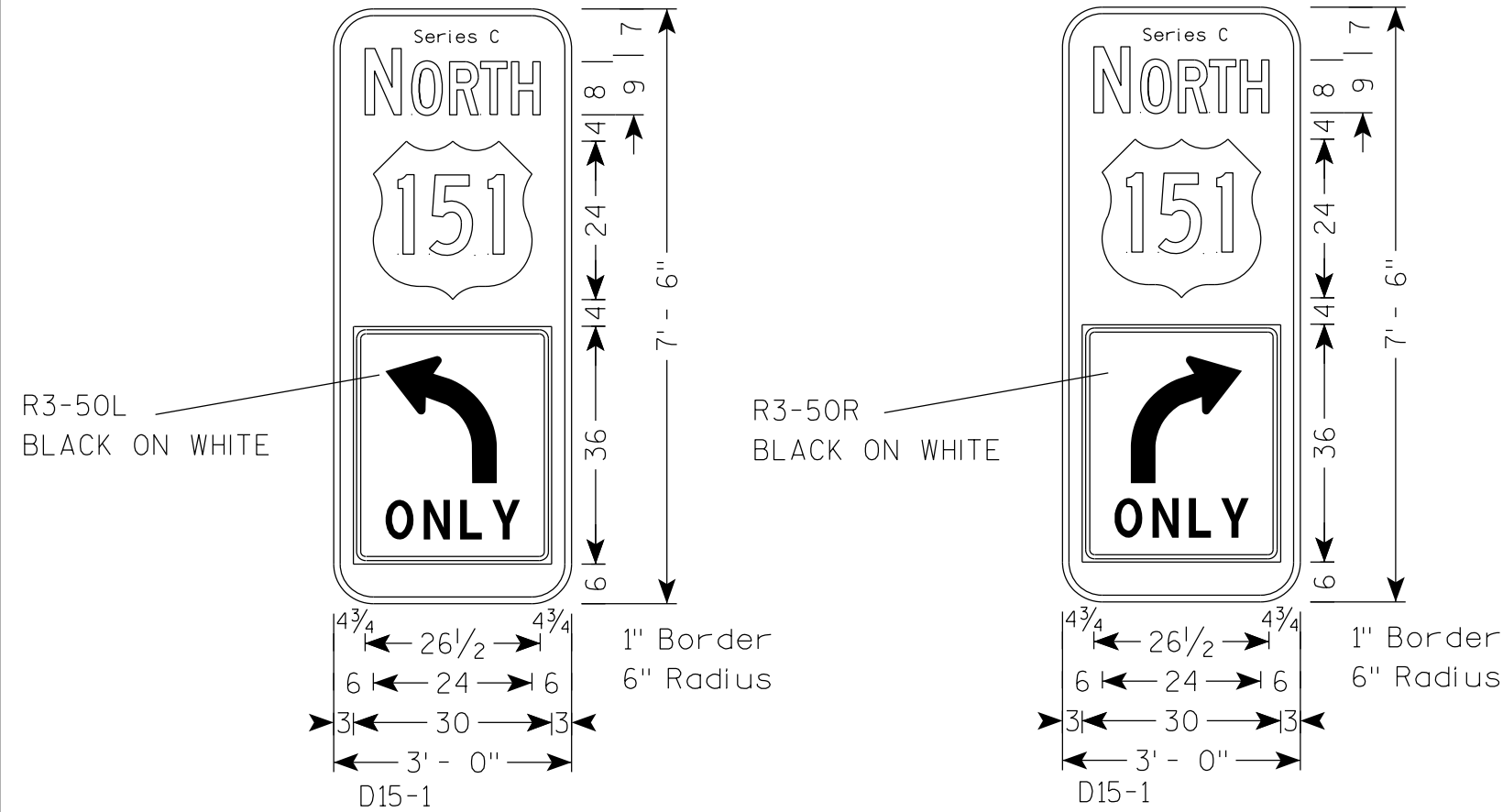
7

7

# TYPICAL EXAMPLES

### NOTES

- All signs are Type I - Type SH Reflective except see Note 6
- Color:  
Background - Green  
Message - White
- Message Series - As noted
- Colors for shields shall be according to the applicable route marker specifications.
- ONLY Plaque Background is Type F Reflective Yellow  
Message is Non-Reflective Black.
- Signs 4' or less in width shall be Type II - Type SH Reflective



STANDARD SIGN  
OVERHEAD SIGNING

---

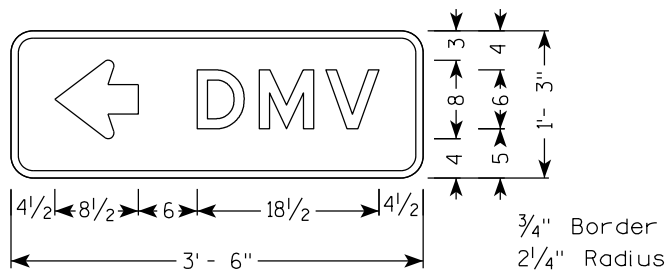
WISCONSIN DEPT OF TRANSPORTATION

---

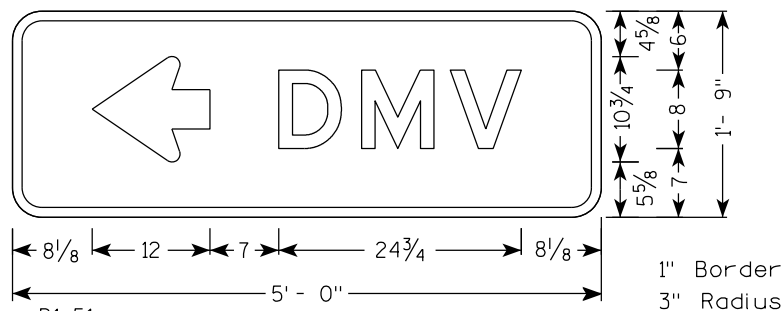
APPROVED *Matthew R Raub*  
State Traffic Engineer

---

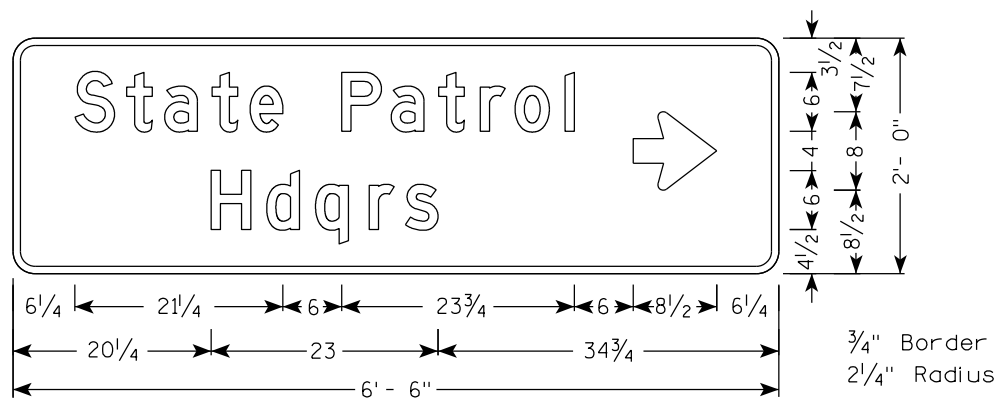
DATE 5/21/19 PLATE NO. A11-17.3



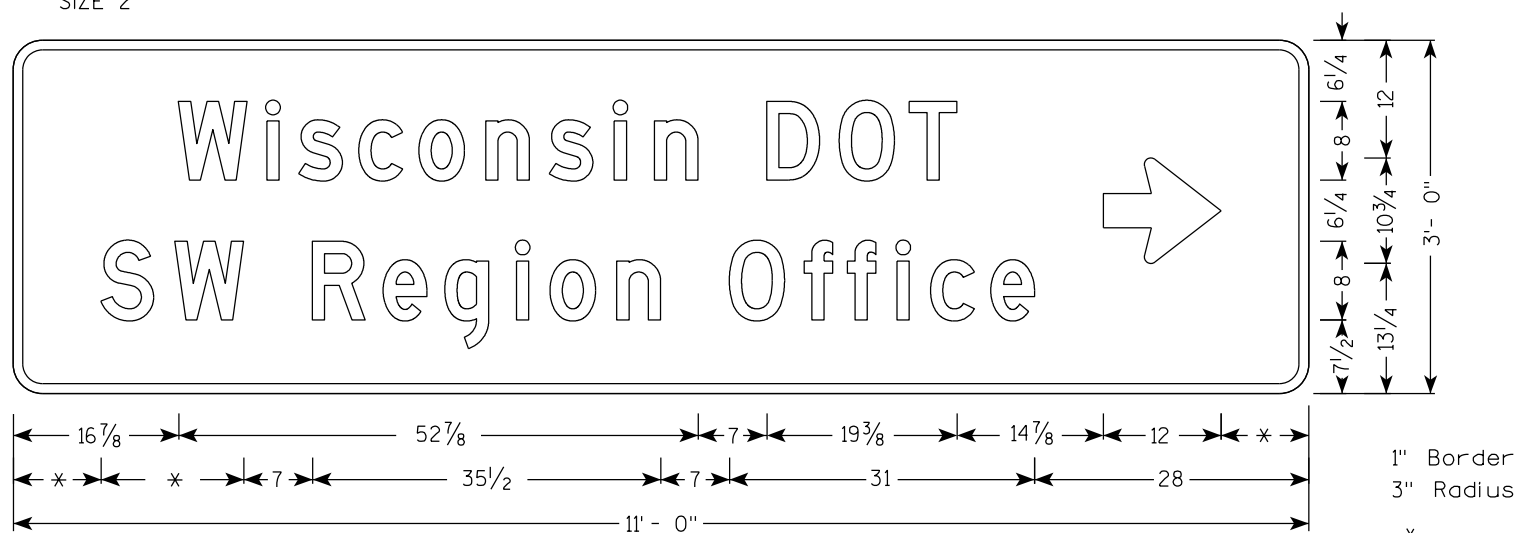
D1-51  
SERIES E, SIZE 2



D1-51  
SERIES E, SIZE 3



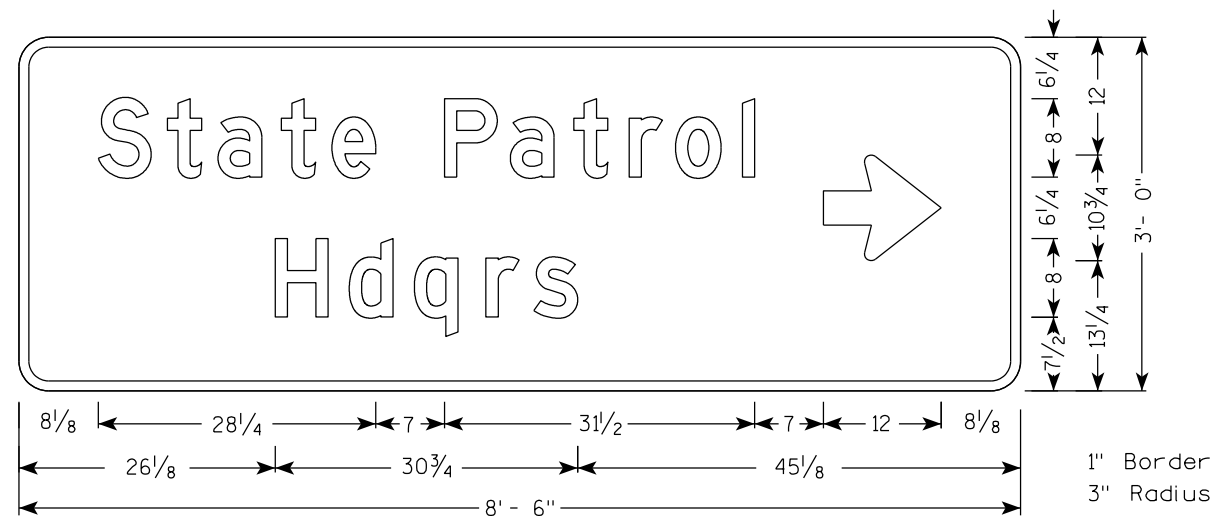
D1-53  
SIZE 2



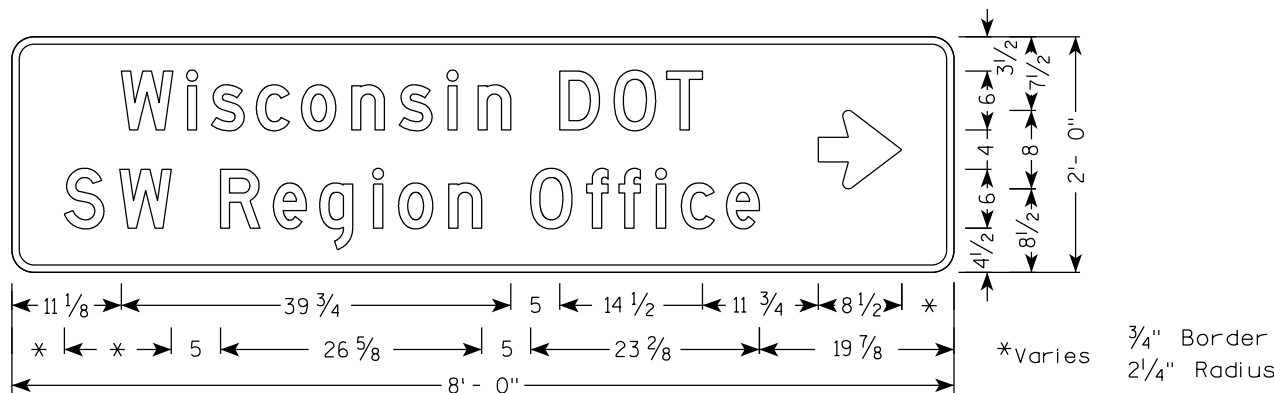
D1-54  
SIZE 3

NOTES

1. Sign is Type II - Type H Reflective
2. Color:  
Background - Green  
Message - White
3. Message Series - D, except as noted.
4. For Region Offices Substitute appropriate message and adjust horizontal spacing as needed.



D1-53  
SIZE 3



D1-54  
SIZE 2

TYPICAL STANDARD  
D1-51 THRU D1-54

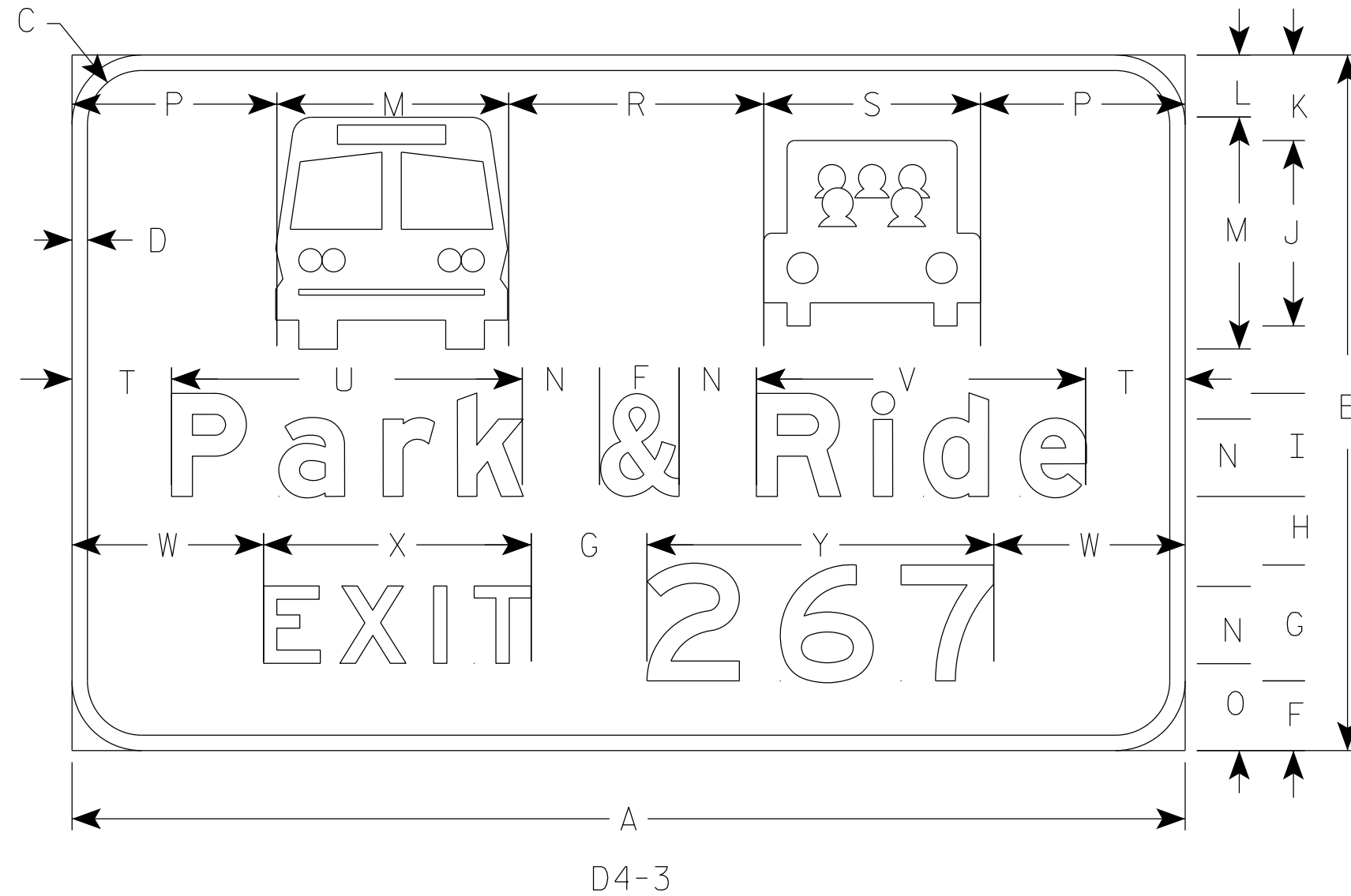
WISCONSIN DEPT OF TRANSPORTATION

APPROVED *Matthew R. Rauch*  
For State Traffic Engineer

DATE 3/14/19 PLATE NO. D1-51.4

NOTES

1. Sign is Type I - Type SH Reflective
2. Color:
  - Background - Green
  - Message - White
3. Message Series - E Modified



SIZE	A	B	C	D	E	F	G	H	I	J	K	L	M	N	O	P	Q	R	S	T	U	V	W	X	Y	Z	Area sq. ft.
1																											
2																											
3																											
4	144	90	9	2		10 1/4	15	8 3/4	13 5/16	24	11	8	30	10	11 1/4	26 1/2		33	28	12 7/8	45 3/8	42 5/8	24 3/4	34 5/8	44 7/8		90.0
5	144	90	9	2		10 1/4	15	8 3/4	13 5/16	24	11	8	30	10	11 1/4	26 1/2		33	28	12 7/8	45 3/8	42 5/8	24 3/4	34 5/8	44 7/8		90.0

STANDARD SIGN  
D4-3

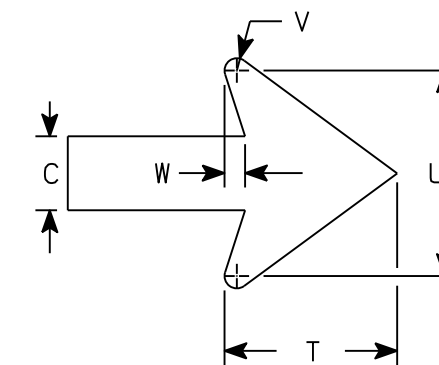
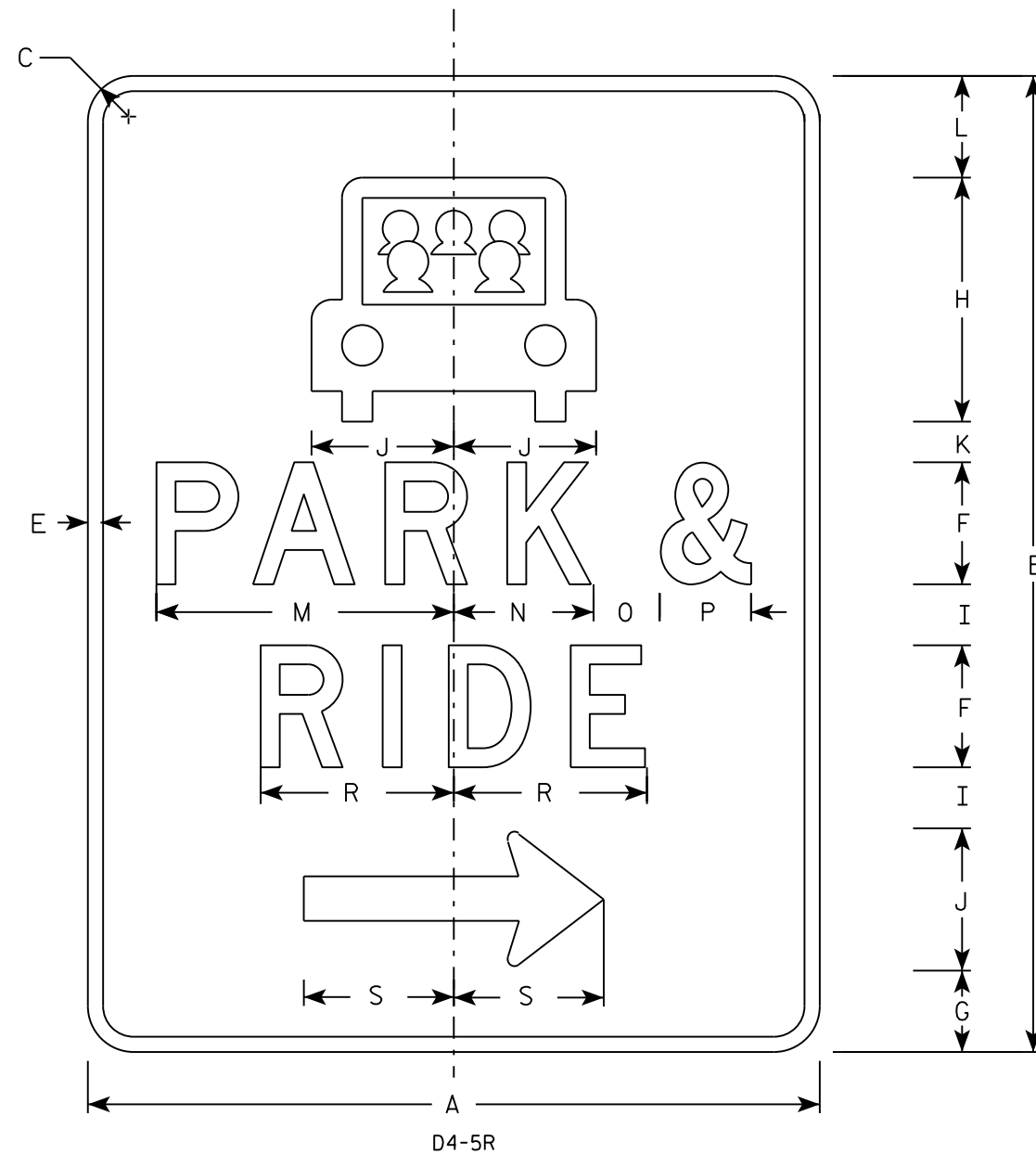
WISCONSIN DEPT OF TRANSPORTATION

APPROVED *Matthew R. Rauch*  
For State Traffic Engineer

DATE 8/23/17 PLATE NO. D4-3.4

NOTES

1. Sign is Type II - Type H Reflective
2. Color:  
Background - Green  
Message - White
3. Message Series - D
4. The D4-5L is the same as a D4-5R except the arrow is reversed.



Arrow Detail

7

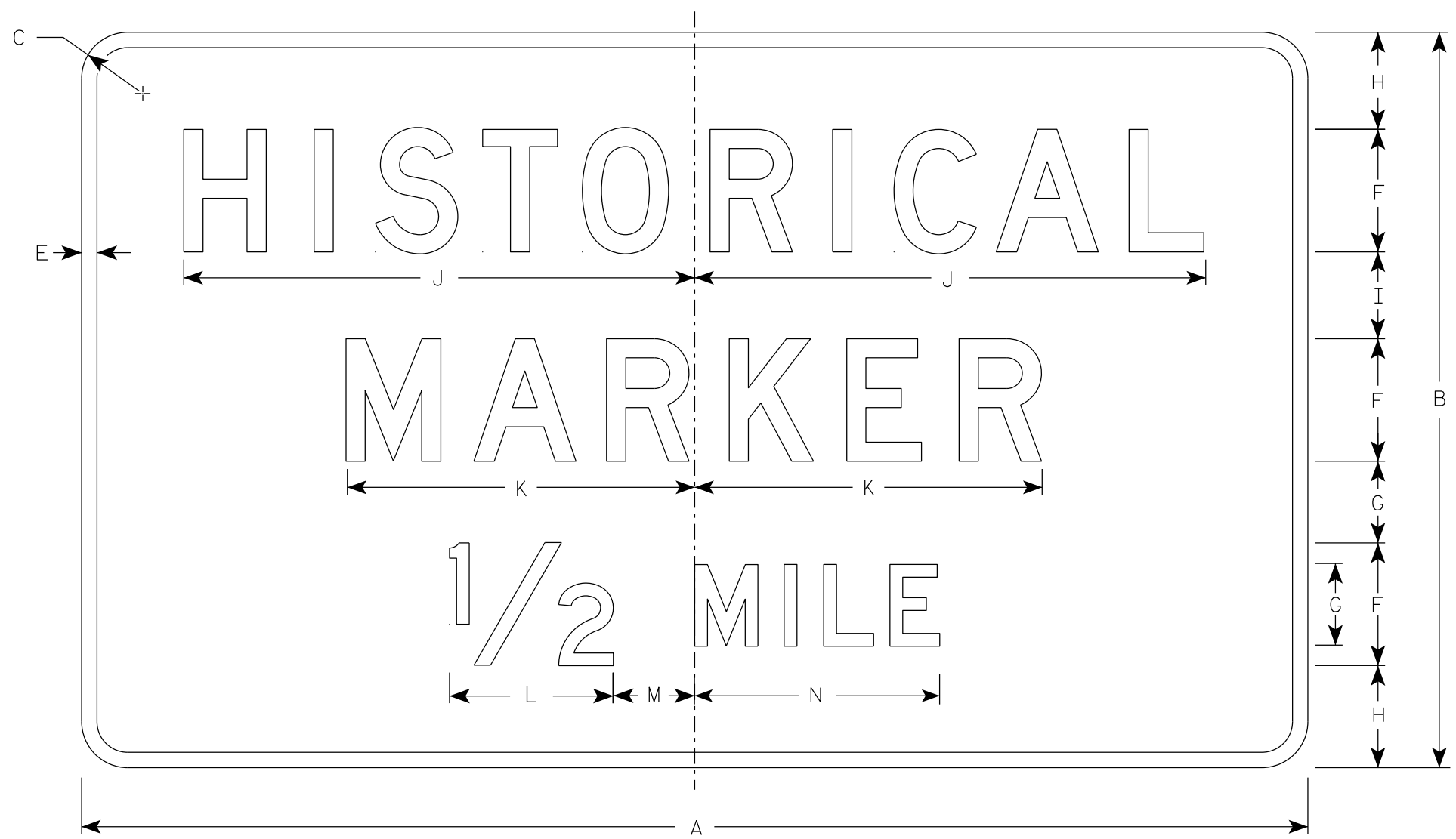
SIZE	A	B	C	D	E	F	G	H	I	J	K	L	M	N	O	P	Q	R	S	T	U	V	W	X	Y	Z	Area sq. ft.
1																											
2	30	36	1 3/8		5/8	5	3 1/8	9	2	5	1 5/8	3 1/4	11 3/4	5 1/2	2 3/4	3 3/4		8	6 1/8	4	4 3/8	3/8	1/2				7.50
3	36	48	2 1/4		3/4	6	4	12	3	7	2	5	14 5/8	6 7/8	3 1/4	4 1/2		9 1/2	7 1/2	5 1/4	6 1/4	3/8	5/8				12.0
4																											
5																											

STANDARD SIGN  
D4-5 L&R

WISCONSIN DEPT OF TRANSPORTATION

APPROVED *Matthew R. Rauch*  
for State Traffic Engineer

DATE 5/7/18 PLATE NO. D4-5.3



NOTES

1. Sign is Type II - Type H Reflective
2. Color:  
Background - Brown  
Message - White
3. Message Series - D
4. Substitute appropriate numerals and optically adjust spacing to achieve proper balance.

D5-63 \* See Note 5

7

7

SIZE	A	B	C	D	E	F	G	H	I	J	K	L	M	N	O	P	Q	R	S	T	U	V	W	X	Y	Z	Area sq. ft.
1																											
2	60	36	2 1/4		3/4	6	4	4 3/4	4 1/2	25	17	8	4	12													15.0
3	78	48	3		1	8	6	6	6	32 3/4	22 3/8	10 5/8	6	18 7/8													26.0
4																											
5																											

STANDARD SIGN  
D5-63

WISCONSIN DEPT OF TRANSPORTATION

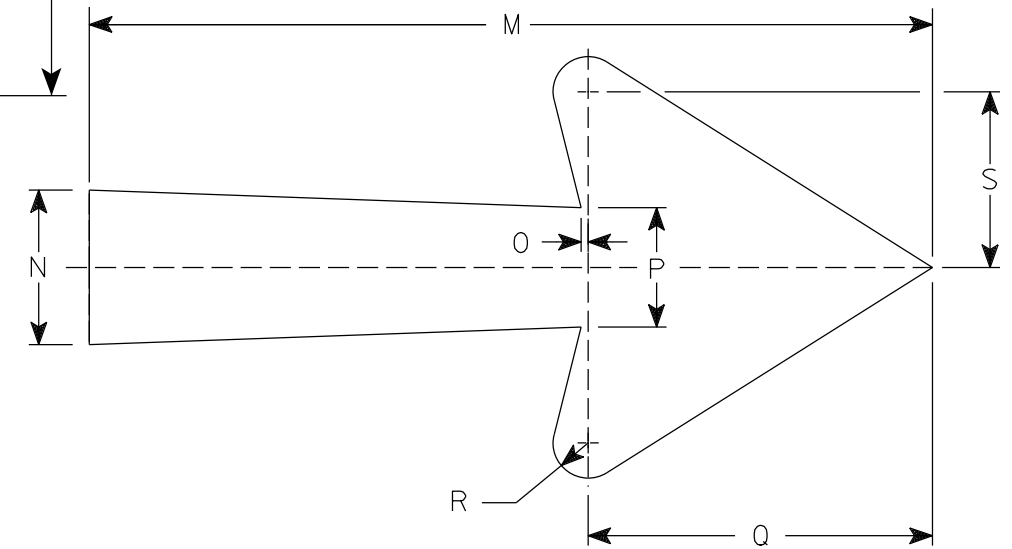
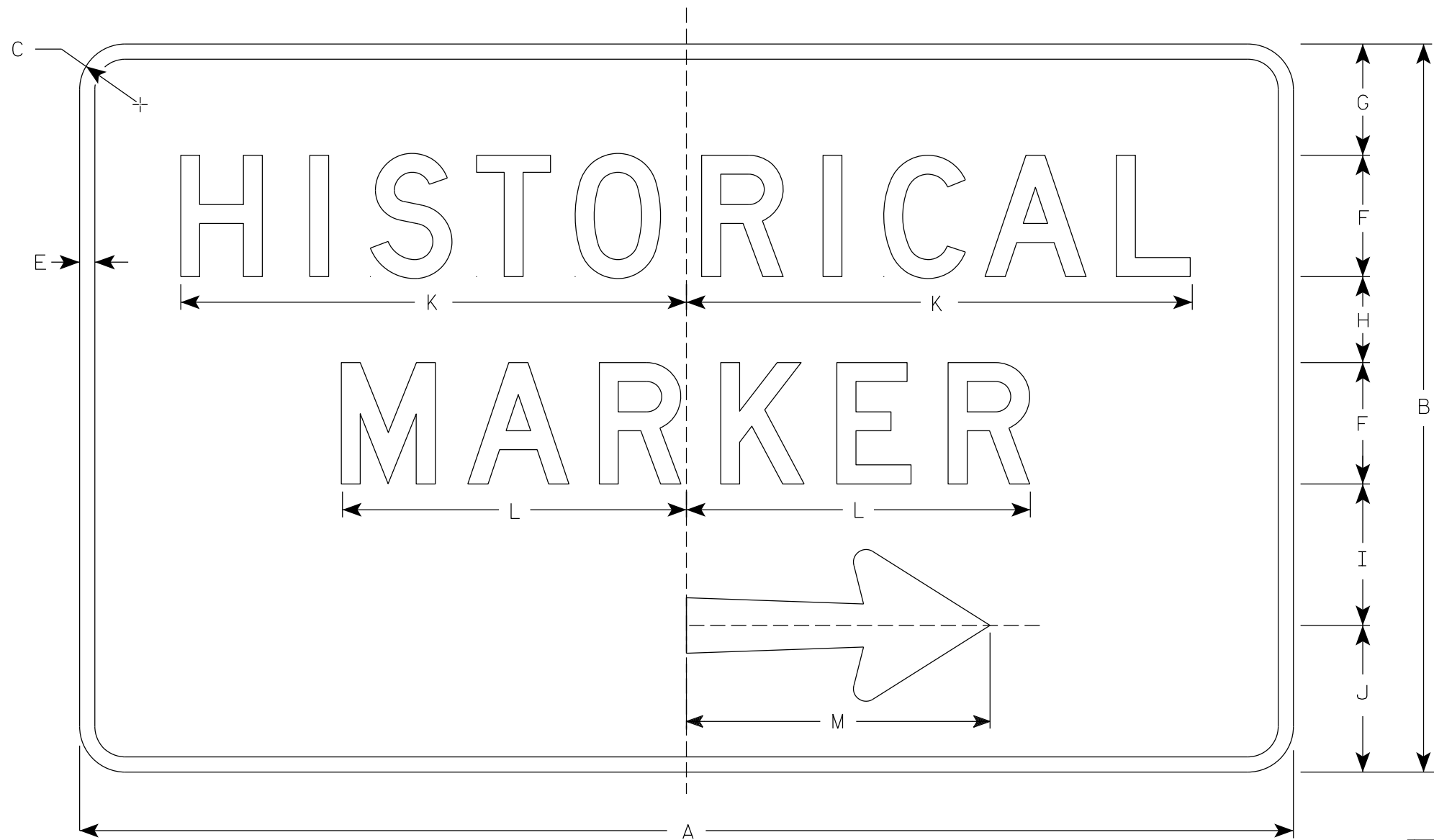
APPROVED *Matthew R. Rauch*  
for State Traffic Engineer

DATE 5/2/19 PLATE NO. D5-63.10



NOTES

1. Sign is Type II - Type H Reflective - reference
2. Color:  
Background - Brown  
Message - White
3. Message Series - D
4. D5-64L is the same as D5-64R except the arrow is reversed.



D5-64R

Arrow Detail

SIZE	A	B	C	D	E	F	G	H	I	J	K	L	M	N	O	P	Q	R	S	T	U	V	W	X	Y	Z	Area sq. ft.
1																											
2	60	36	2 1/4		3/4	6	4 5/8	4 1/2	7 1/8	7 3/4	25	17	15	2 3/4	1/8	2 1/8	6 1/8	5/8	3 1/8								15.0
3	78	48	3		1	8	6	6	10	10	32 3/4	22 3/8	21	4 1/4	1/4	2 3/4	7 7/8	3/4	4								26.0
4																											
5																											

STANDARD SIGN  
D5-64

WISCONSIN DEPT OF TRANSPORTATION

APPROVED *Matthew R. Rauch*  
State Traffic Engineer  
DATE 5/21/19 PLATE NO. D5-64.6

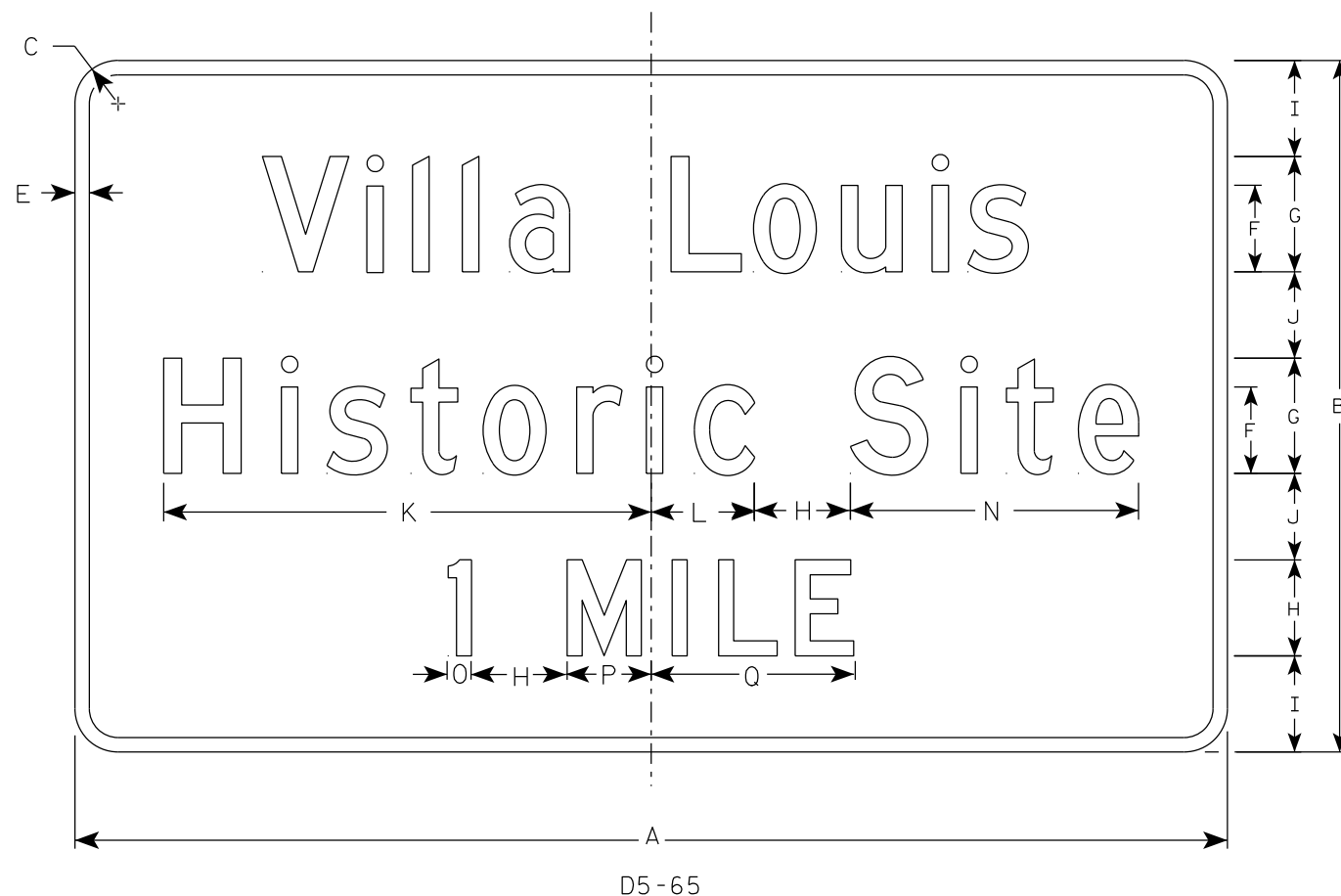
PROJECT NO:

SHEET NO:

**E**

NOTES

1. Sign is Type II - Type H Reflective
2. Color:
  - Background - Brown
  - Message - White
3. Message Series - D
4. Substitute appropriate site name and optically adjust spacing as required to achieve proper balance. When necessary to accommodate name, lengthen board by 6" increments.



D5-65

7

7

SIZE	A	B	C	D	E	F	G	H	I	J	K	L	M	N	O	P	Q	R	S	T	U	V	W	X	Y	Z	Area sq. ft.
1																											
2	Varies	36	2 1/4		3/4	4 1/2	6	5	4 3/4	4 1/2	25 3/8	5 3/8		15	1 1/4	4 3/8	10 5/8										Varies
3	Varies	48	3		1	6	8	7	6	6	33 7/8	6 1/2		20 3/8	1 3/4	6 1/2	15 1/4										Varies
4																											
5																											

STANDARD SIGN  
D5-65

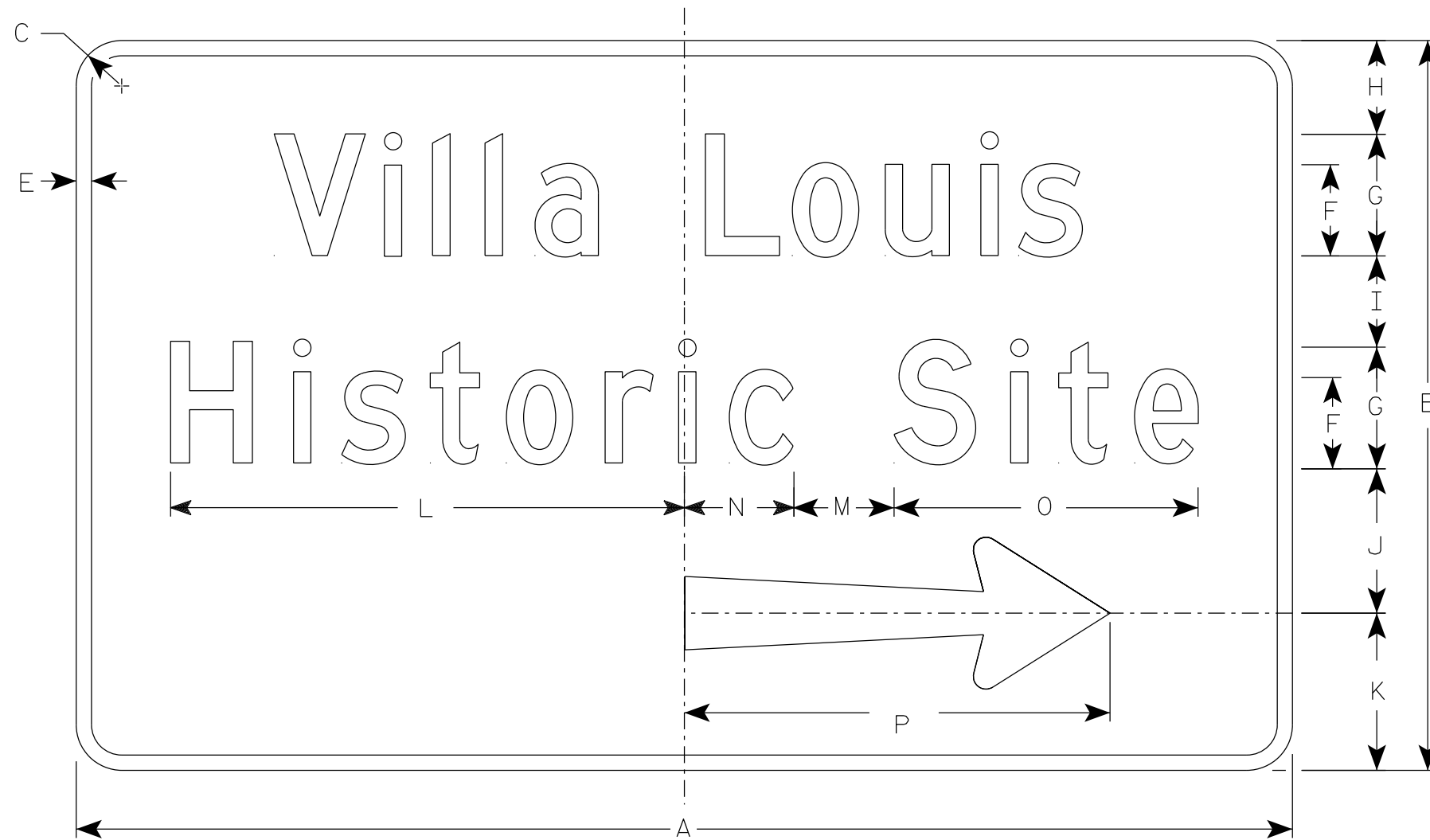
WISCONSIN DEPT OF TRANSPORTATION

APPROVED Matthew R. Rauch  
for State Traffic Engineer

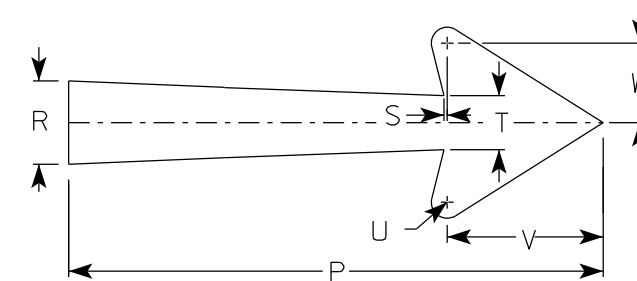
DATE 5/6/19 PLATE NO. D5-65.7

NOTES

1. Sign is Type II - Type H Reflective
2. Color:  
Background - Brown  
Message - White
3. Message Series - D
4. Substitute appropriate site name and optically adjust spacing as required to achieve proper balance. When necessary to accommodate name, lengthen board by 6" increments.
5. D5-66L is the same as D5-66R except arrow is reversed.



D5-66R



Arrow Detail

SIZE	A	B	C	D	E	F	G	H	I	J	K	L	M	N	O	P	Q	R	S	T	U	V	W	X	Y	Z	Area sq. ft.
1																											
2	Varies	36	2 1/4		3/4	4 1/2	6	4 5/8	4 1/2	7 1/8	7 3/4	25 3/8	5	5 3/8	15	21		2 3/4	1/8	2 1/8	5/8	6 1/8	3 1/8				Varies
3	Varies	48	3		1	6	8	6	6	10	10	33 7/8	7	6 1/2	20 3/8	27		4 1/4	1/4	2 3/4	3/4	7 7/8	4				Varies
4																											
5																											

STANDARD SIGN  
D5-66

WISCONSIN DEPT OF TRANSPORTATION

APPROVED *Matthew R. Rauch*  
for State Traffic Engineer

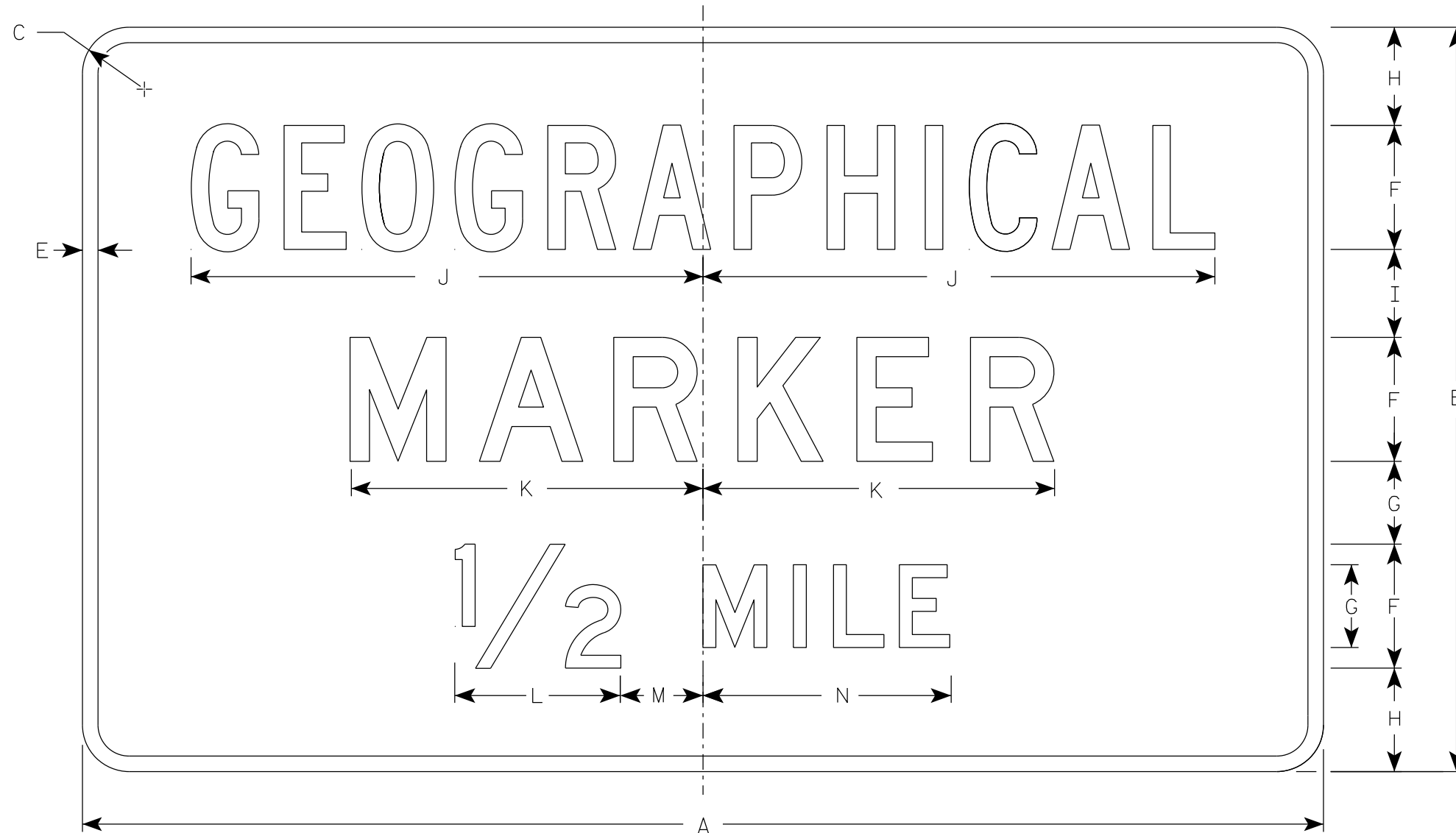
DATE 5/6/19 PLATE NO. D5-66.6

7

7

NOTES

1. Sign is Type II - Type H Reflective
2. Color:  
Background - Green  
Message - White
3. Message Series - Line 1 is Series C  
Lines 2 & 3 are Series D



D5-67

SIZE	A	B	C	D	E	F	G	H	I	J	K	L	M	N	O	P	Q	R	S	T	U	V	W	X	Y	Z	Area sq. ft.
1																											
2	60	36	2 1/4		3/4	6	4	4 3/4	4 1/2	24 3/4	17	8	4	12													15.0
3	78	48	3		1	8	6	6	6	33	22 3/8	10 5/8	6	18 7/8													26.0
4																											
5																											

STANDARD SIGN  
D5-67

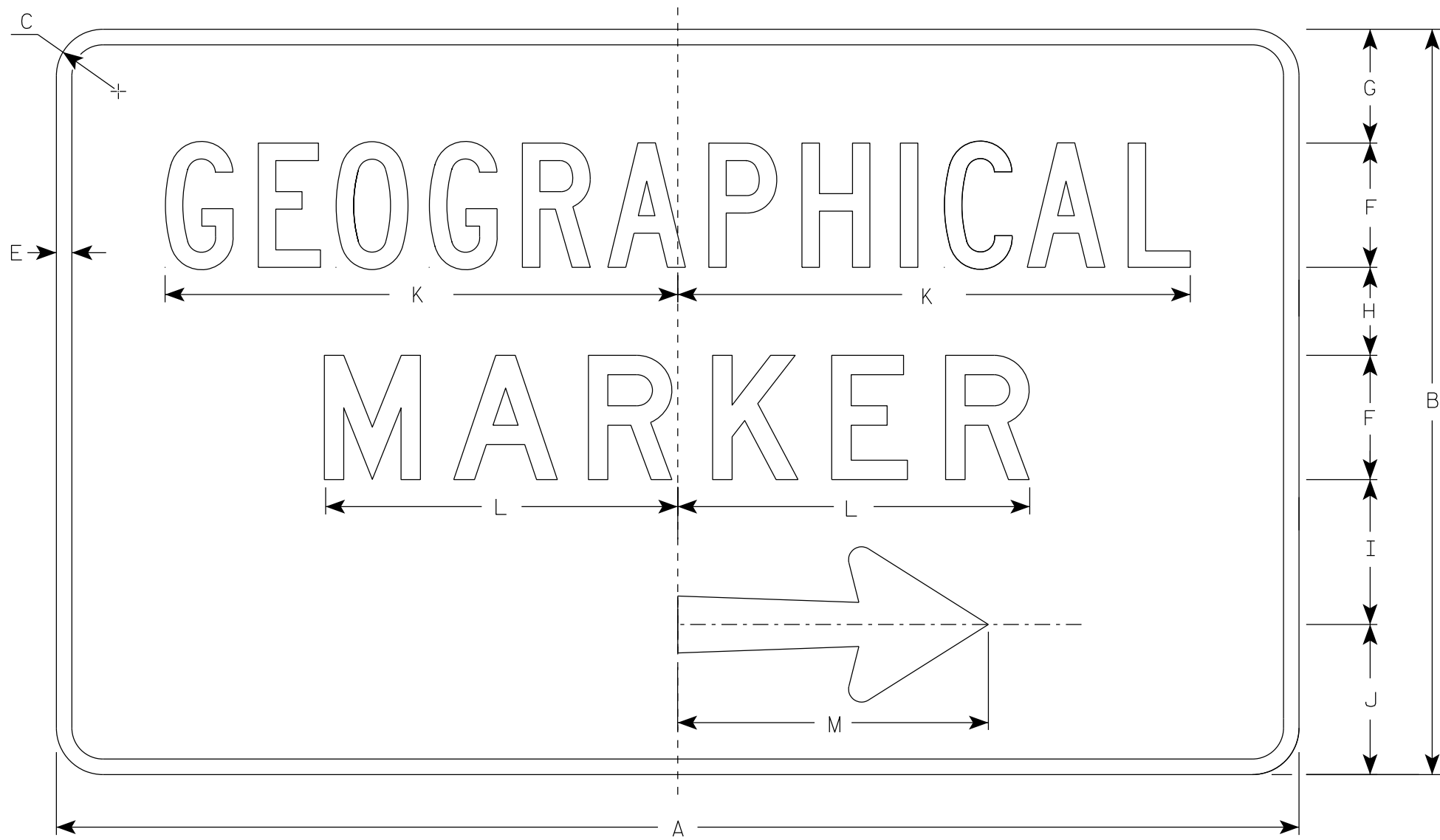
WISCONSIN DEPT OF TRANSPORTATION

APPROVED *Matthew R Rauch*  
for State Traffic Engineer  
DATE 5/2/19 PLATE NO. D5-67.10

PROJECT NO:

SHEET NO:

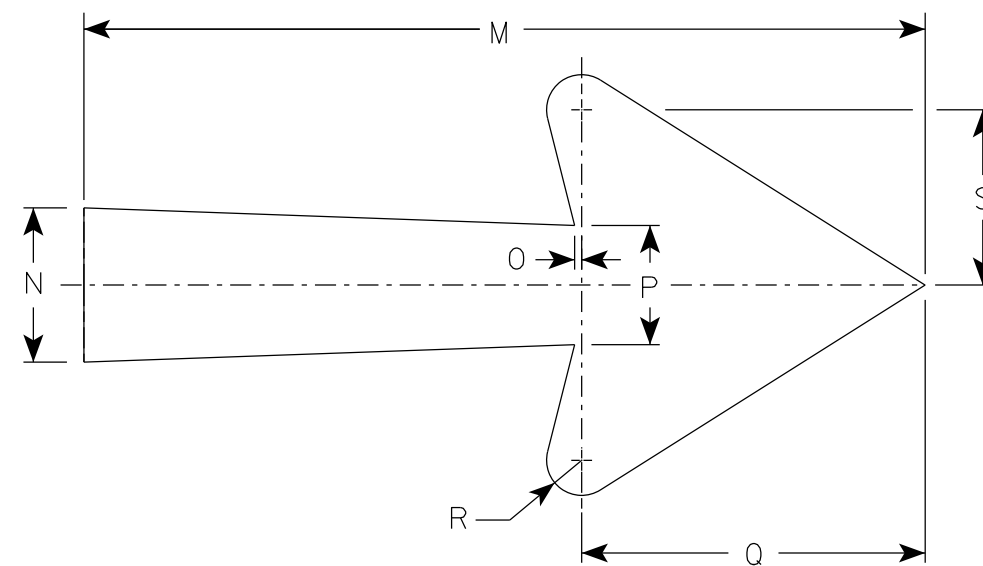
E



D5-68R

NOTES

1. Sign is Type II - Type H Reflective
2. Color:  
Background - Green  
Message - White
3. Message Series - Line 1 is Series C  
Lines 2 is Series D
4. D5-68L is the same as D5-68R except the arrow is reversed.



Arrow Detail

SIZE	A	B	C	D	E	F	G	H	I	J	K	L	M	N	O	P	Q	R	S	T	U	V	W	X	Y	Z	Area sq. ft.
1																											
2	60	36	2 1/4		3/4	6	4 5/8	4 1/2	7 1/8	7 3/4	24 3/4	17	15	2 3/4	1/8	2 1/8	6 1/8	5/8	3 1/8								15.0
3	78	48	3		1	8	6	6	10	10	33	22 3/8	21	4 1/4	1/4	2 3/4	7 7/8	3/4	4								26.0
4																											
5																											

STANDARD SIGN  
D5-68

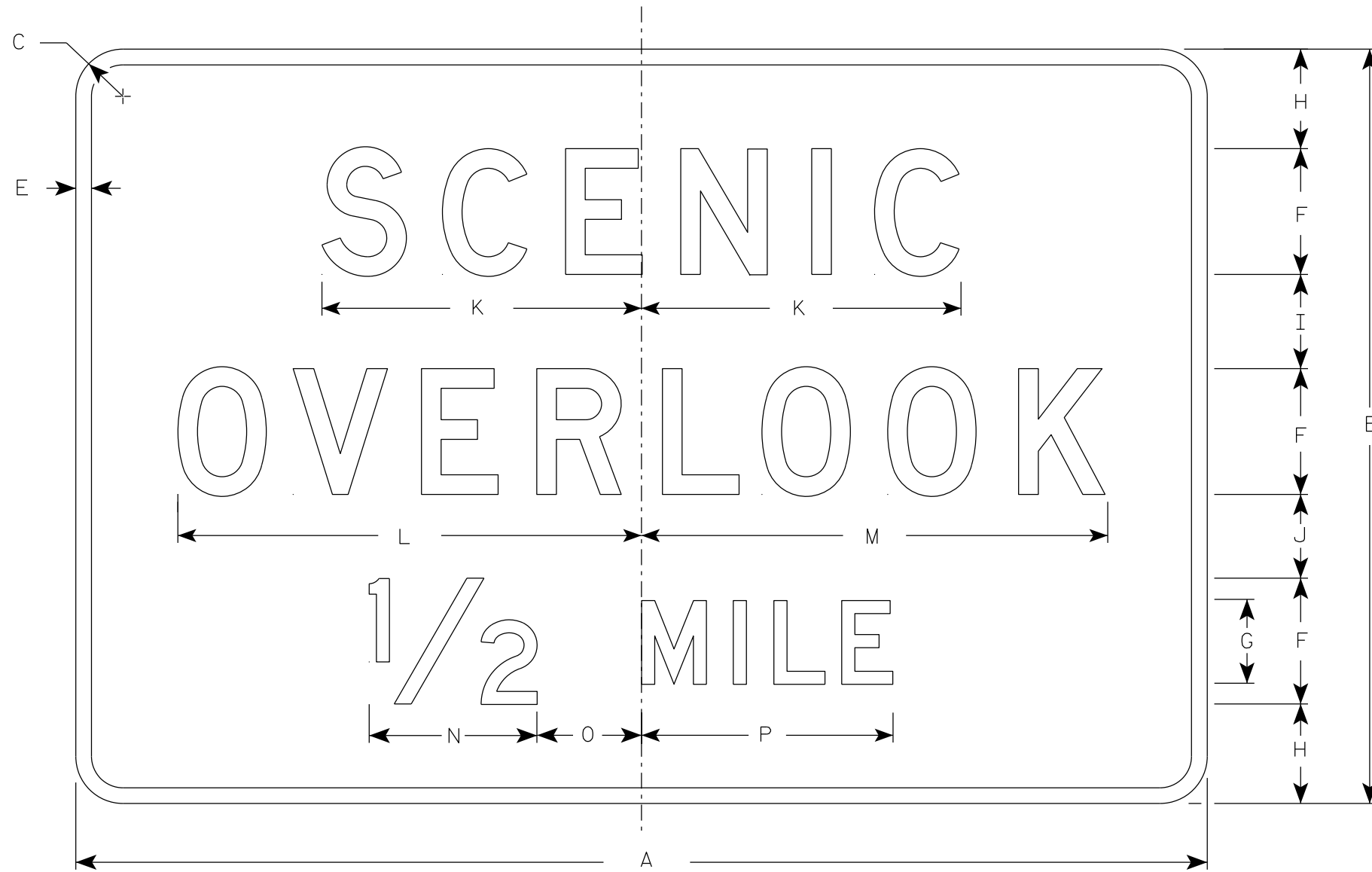
WISCONSIN DEPT OF TRANSPORTATION

APPROVED *Matthew R. Rauch*  
for State Traffic Engineer

DATE 5/2/19 PLATE NO. D5-68.12

NOTES

1. Sign is Type II - Type H Reflective
2. Color:
  - Background - Blue
  - Message - White
3. Message Series - D



D6-51

SIZE	A	B	C	D	E	F	G	H	I	J	K	L	M	N	O	P	Q	R	S	T	U	V	W	X	Y	Z	Area sq. ft.
1																											
2	54	36	2 1/4		3/4	6	4	4 3/4	4 1/2	4	15 1/4	22 1/8	22 1/4	8	4	12											13.5
3	72	48	3		1	8	6	6	6	6	20	28 1/4	28 1/4	10 5/8	6	18 7/8											24.0
4																											
5																											

STANDARD SIGN  
D6-51

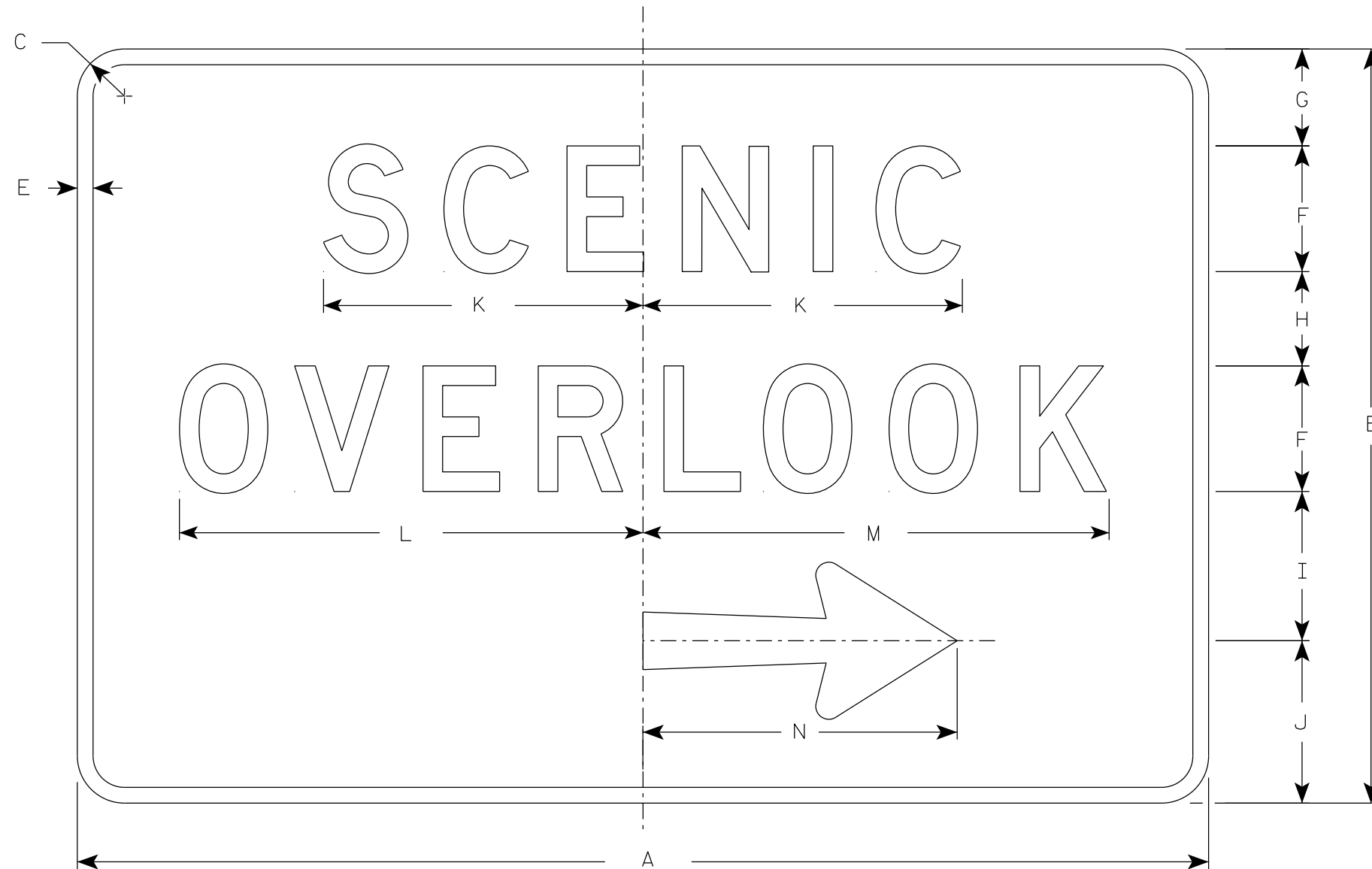
WISCONSIN DEPT OF TRANSPORTATION

APPROVED *Matthew R. Rauch*  
for State Traffic Engineer

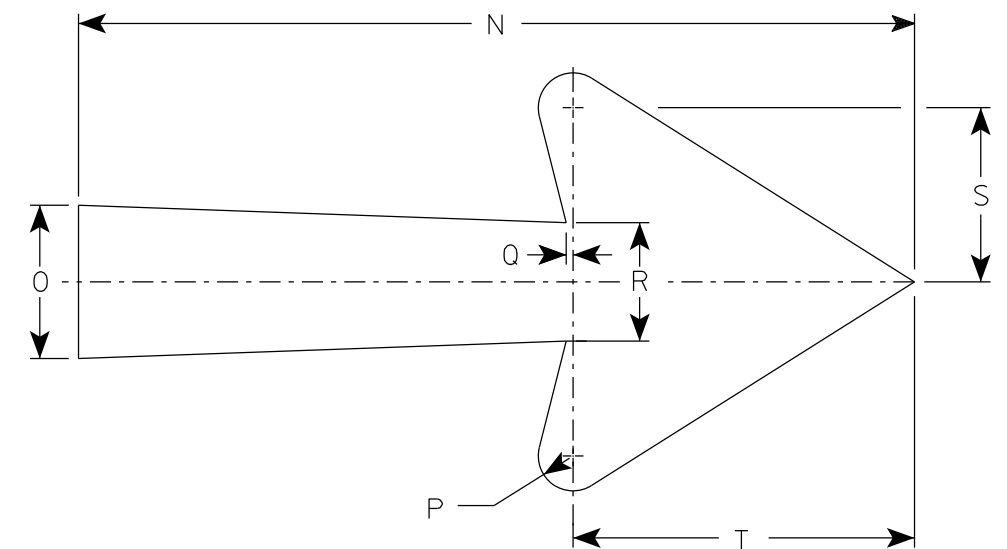
DATE 5/2/19 PLATE NO. D6-51.6

NOTES

1. Sign is Type II - Type H Reflective
2. Color:  
Background - Blue  
Message - White
3. Message Series - D
4. D5-53L is the same as D6-53R except that the arrow is reversed.



D6-53R



Arrow Detail

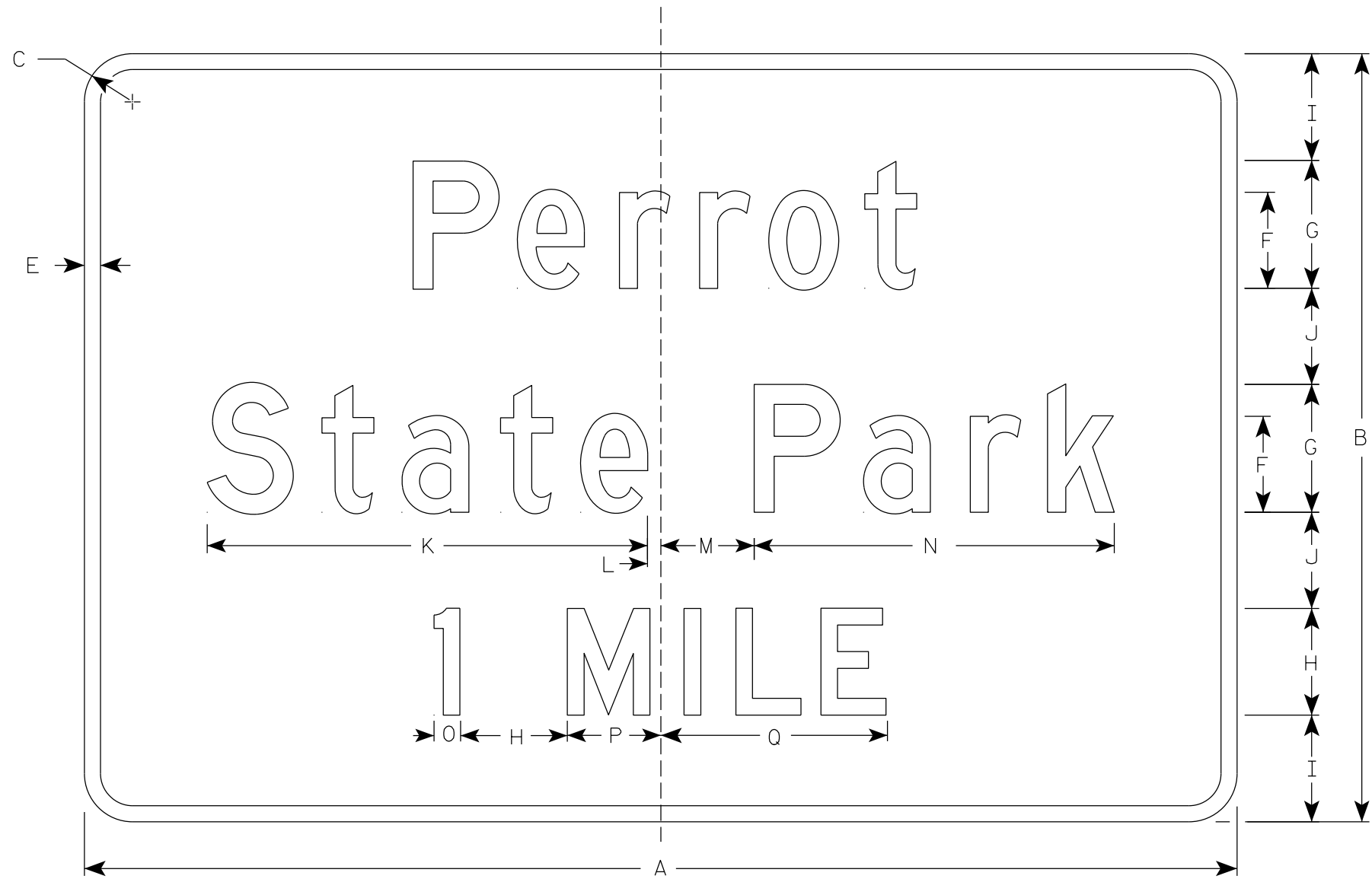
SIZE	A	B	C	D	E	F	G	H	I	J	K	L	M	N	O	P	Q	R	S	T	U	V	W	X	Y	Z	Area sq. ft.
1																											
2	54	36	2 1/4		3/4	6	4 5/8	4 1/2	7 1/8	7 3/4	15 1/4	22 1/8	22 1/4	15	2 3/4	5/8	1/8	2 1/8	3 1/8	6 1/8							13.5
3	72	48	3		1	8	6	6	10	10	20	28 1/4	28 1/4	21	4 1/4	3/4	1/4	2 3/4	4	7 7/8							24.0
4																											
5																											

STANDARD SIGN  
D6-53

WISCONSIN DEPT OF TRANSPORTATION

APPROVED *Matthew R Rauch*  
for State Traffic Engineer

DATE 4/9/19 PLATE NO. D6-53.6



D7-51

NOTES

1. Sign is Type II - Type H Reflective
2. Color:  
     Background - Brown  
     Message - White  
     Message Series - D
3. Substitute appropriate name and optically adjust spacing as required to achieve proper balance. When necessary to accommodate name, lengthen board by 6" increments. Minimum board width is 54".

7

7

SIZE	A	B	C	D	E	F	G	H	I	J	K	L	M	N	O	P	Q	R	S	T	U	V	W	X	Y	Z	Area sq. ft.
1																											
2	Varies	36	2 1/4		3/4	4 1/2	6	5	5	4 1/2	20 5/8	5/8	4 3/8	16 7/8	1 1/4	4 3/8	10 5/8										Varies
3	Varies	48	3		1	6	8	7	6 1/2	6	27 1/2	2	5	22 1/2	1 3/4	6 1/2	15 1/4										Varies
4																											
5																											

STANDARD SIGN  
D7-51

WISCONSIN DEPT OF TRANSPORTATION

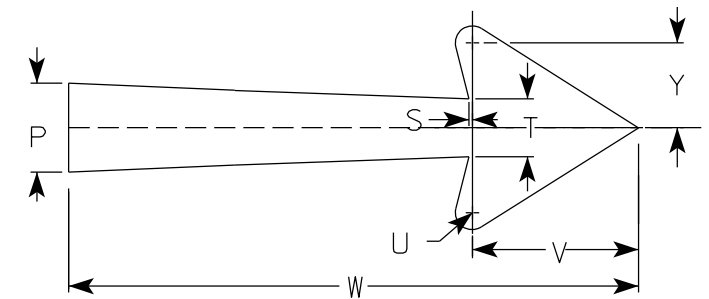
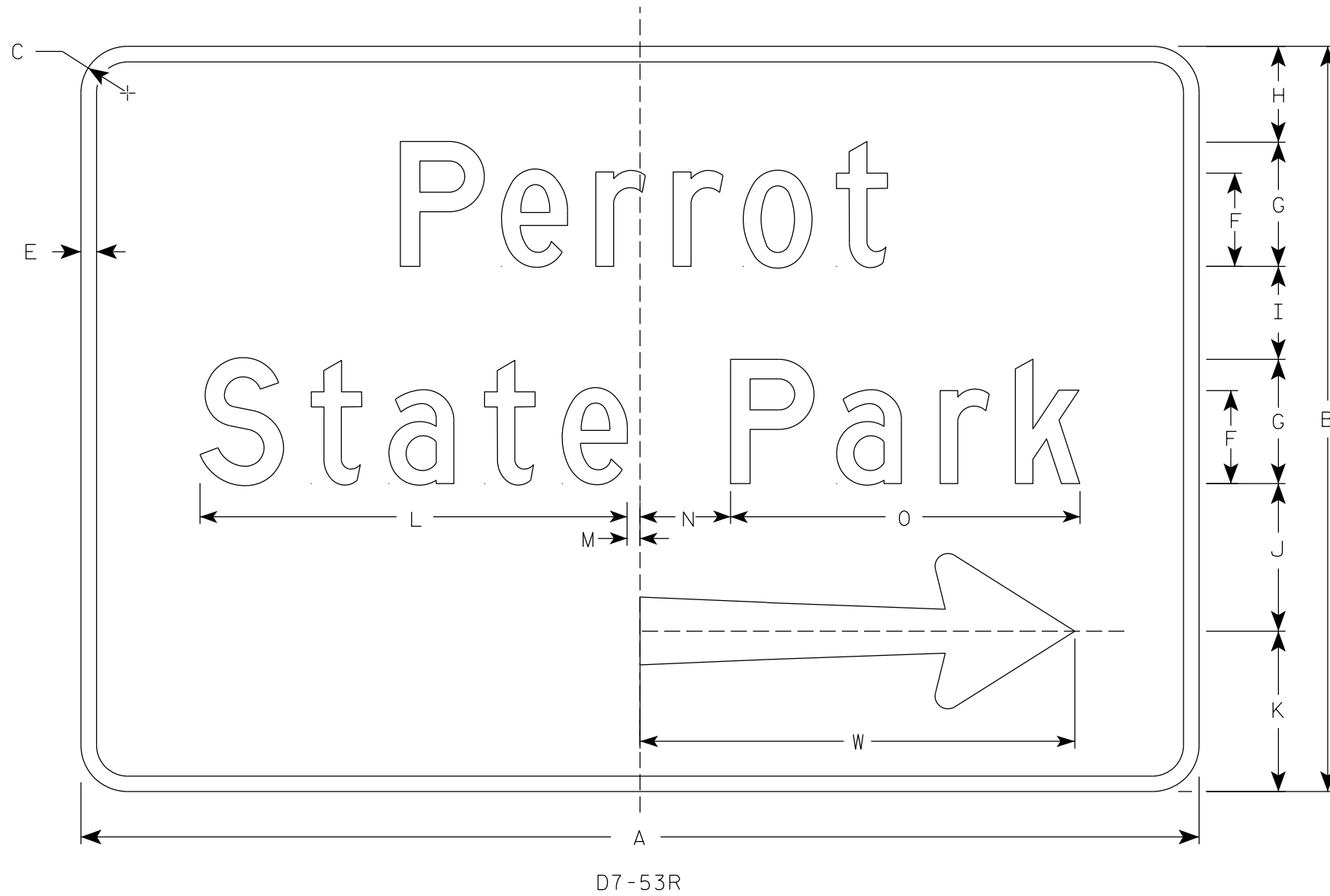
APPROVED *Matthew R. Rauch*  
For State Traffic Engineer

DATE 3/19/19 PLATE NO. D7-51.6



NOTES

1. Sign is Type II - Type H Reflective
2. Color:  
Background - Brown  
Message - White
3. Message Series - D
4. Substitute appropriate name and optically adjust spacing to achieve proper balance. When necessary to accommodate name, lengthen board by 6" increments. Minimum sign width is 54".
5. D7-53L is the same as D7-53R except the arrow is reversed.



Arrow Details

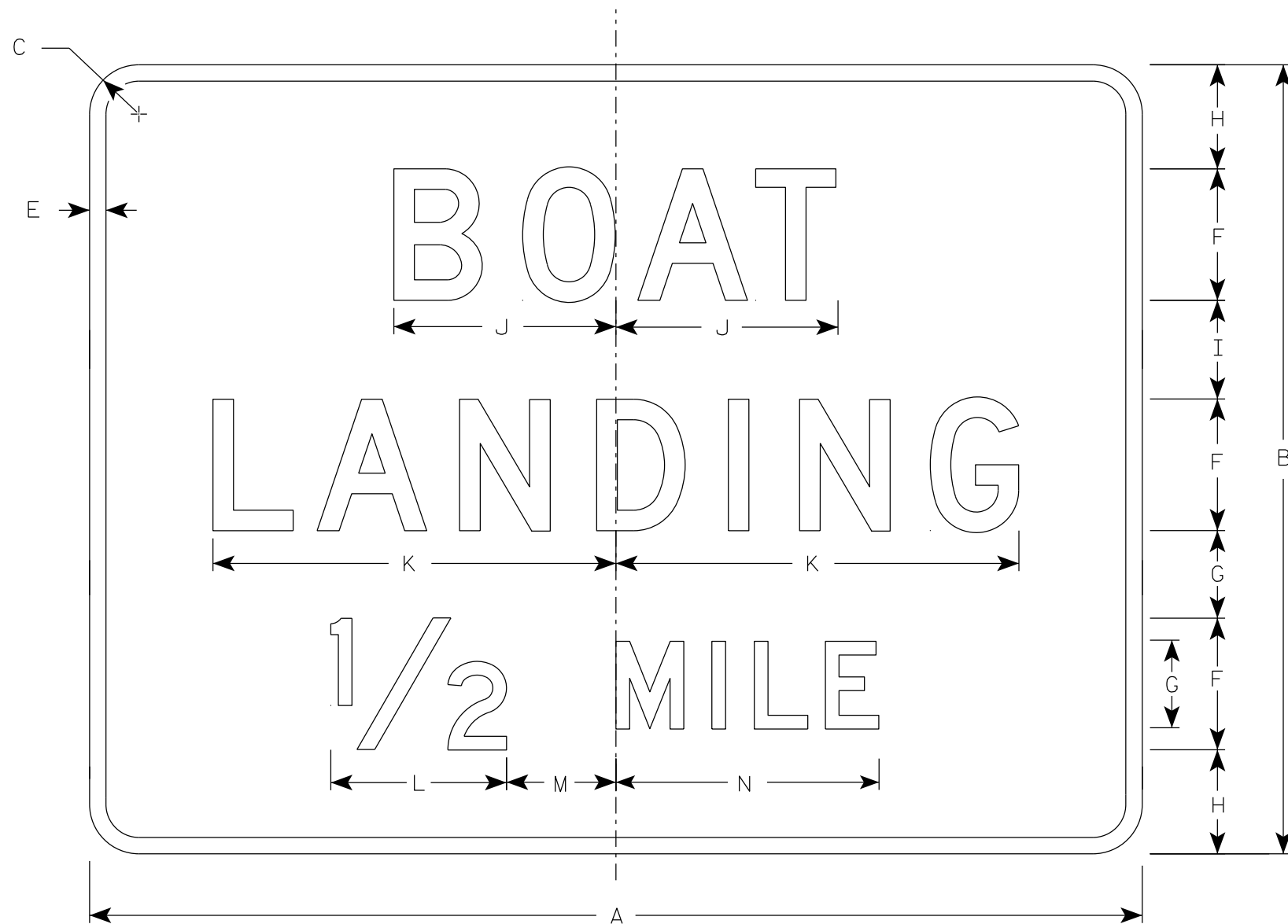
SIZE	A	B	C	D	E	F	G	H	I	J	K	L	M	N	O	P	Q	R	S	T	U	V	W	X	Y	Z	Area sq. ft.
1																											
2	Varies	36	2 1/4		3/4	4 1/2	6	4 5/8	4 1/2	7 1/8	7 3/4	20 5/8	5/8	4 3/8	16 7/8	3 1/4			1/8	2 1/8	5/8	6 1/8	21		3 1/8		Varies
3	Varies	48	3		1	6	8	6	6	10	10	27 1/2	1	6	22 1/2	4 1/4			1/4	2 3/4	3/4	7 7/8	27		4		Varies
4																											
5																											

STANDARD SIGN  
D7-53

WISCONSIN DEPT OF TRANSPORTATION

APPROVED *Matthew R. Rauch*  
For State Traffic Engineer

DATE 5/21/19 PLATE NO. D7-53.9



D7-54

NOTES

1. Sign is Type II - Type H Reflective
2. Color:  
Background - Brown  
Message - White
3. Message Series - D

7

7

SIZE	A	B	C	D	E	F	G	H	I	J	K	L	M	N	O	P	Q	R	S	T	U	V	W	X	Y	Z	Area sq. ft.
1																											
2	48	36	2 1/4		3/4	6	4	4 3/4	4 1/2	10 1/8	18 3/8	8	4	12													12.0
3	60	48	3		1	8	6	6	6	13 1/2	23 3/8	10 5/8	6	18 7/8													20.0
4																											
5																											

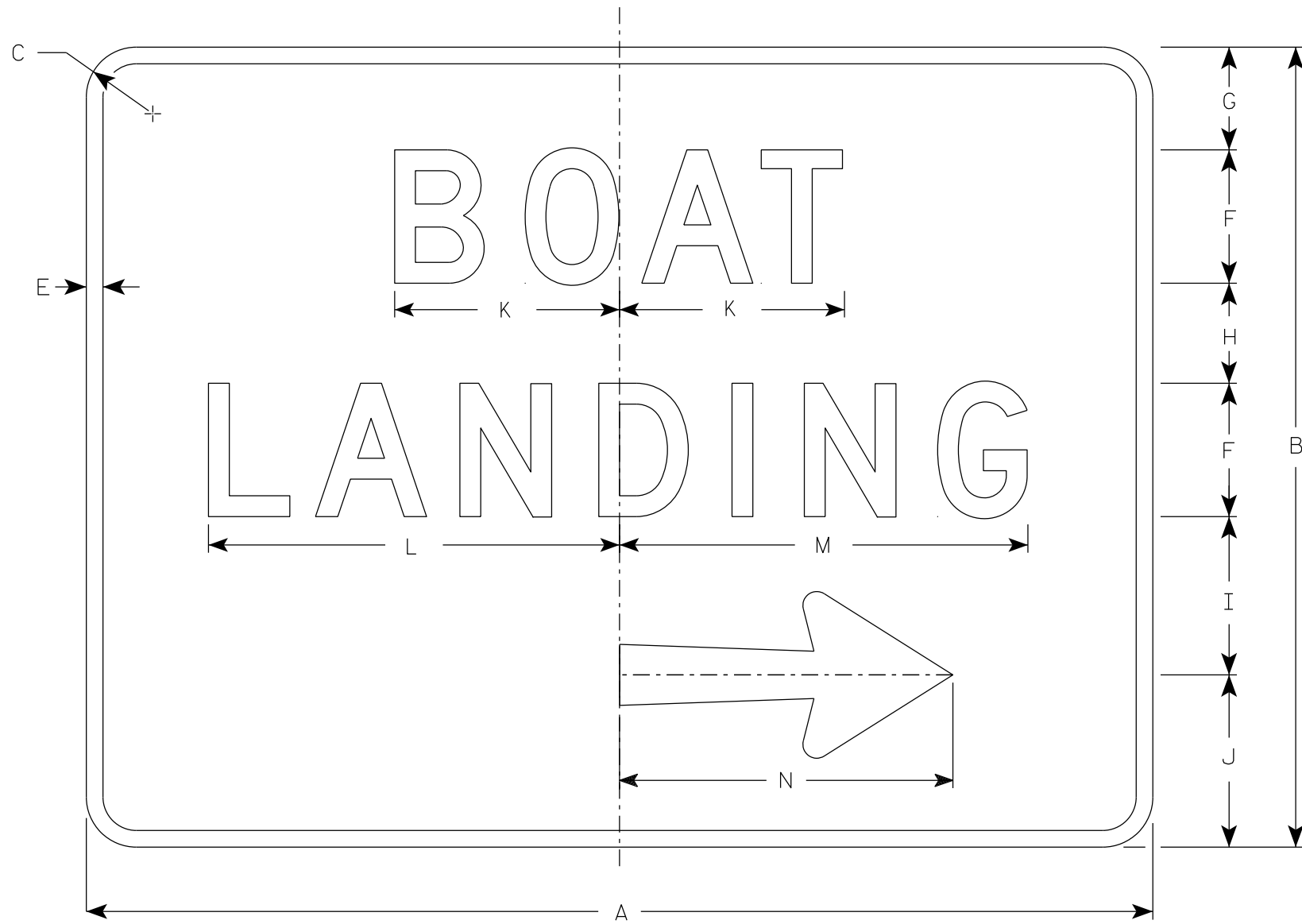
STANDARD SIGN  
D7-54

WISCONSIN DEPT OF TRANSPORTATION

APPROVED *Matthew R. Rauch*  
for State Traffic Engineer

DATE 5/2/19 PLATE NO. D7-54.7

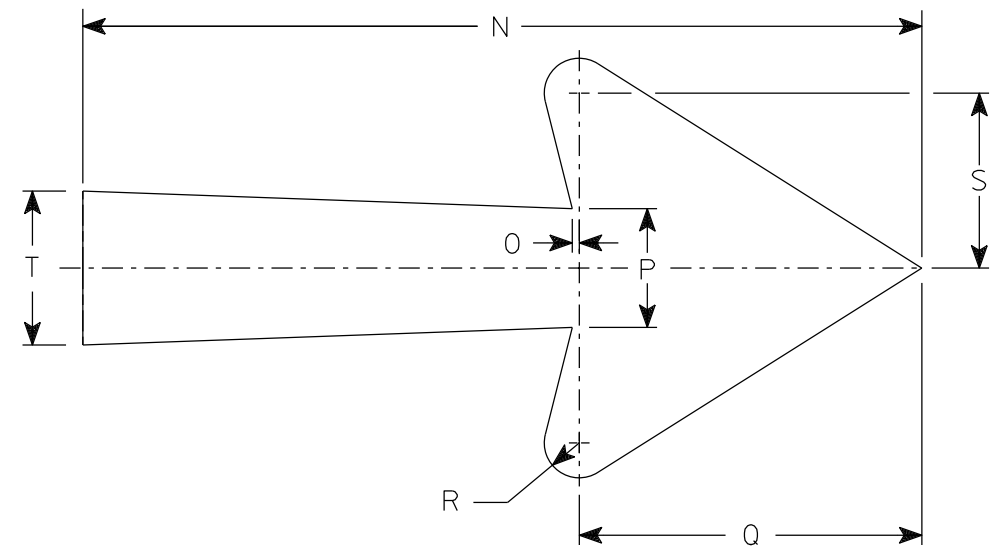
PROJECT NO: \_\_\_\_\_ SHEET NO: **E**



D7-56R

NOTES

1. Sign is Type II - Type H Reflective
2. Color:  
Background - Brown  
Message - White
3. Message Series - D
4. D7-56L is the same as D7-56R except the arrow is reversed.



Arrow Detail

7

7

SIZE	A	B	C	D	E	F	G	H	I	J	K	L	M	N	O	P	Q	R	S	T	U	V	W	X	Y	Z	Area sq. ft.
1																											
2	48	36	2 1/4		3/4	6	4 5/8	4 1/2	7 1/8	7 3/4	10 1/8	18 1/2	18 3/8	15	1/8	2 1/8	6 1/8	5/8	3 1/8	2 3/4							12.0
3	60	48	3		1	8	6	6	10	10	13 1/2	23 3/8	23 3/8	21	1/4	2 3/4	7 7/8	3/4	4	4 1/4							20.0
4																											
5																											

STANDARD SIGN  
D7-56

WISCONSIN DEPT OF TRANSPORTATION

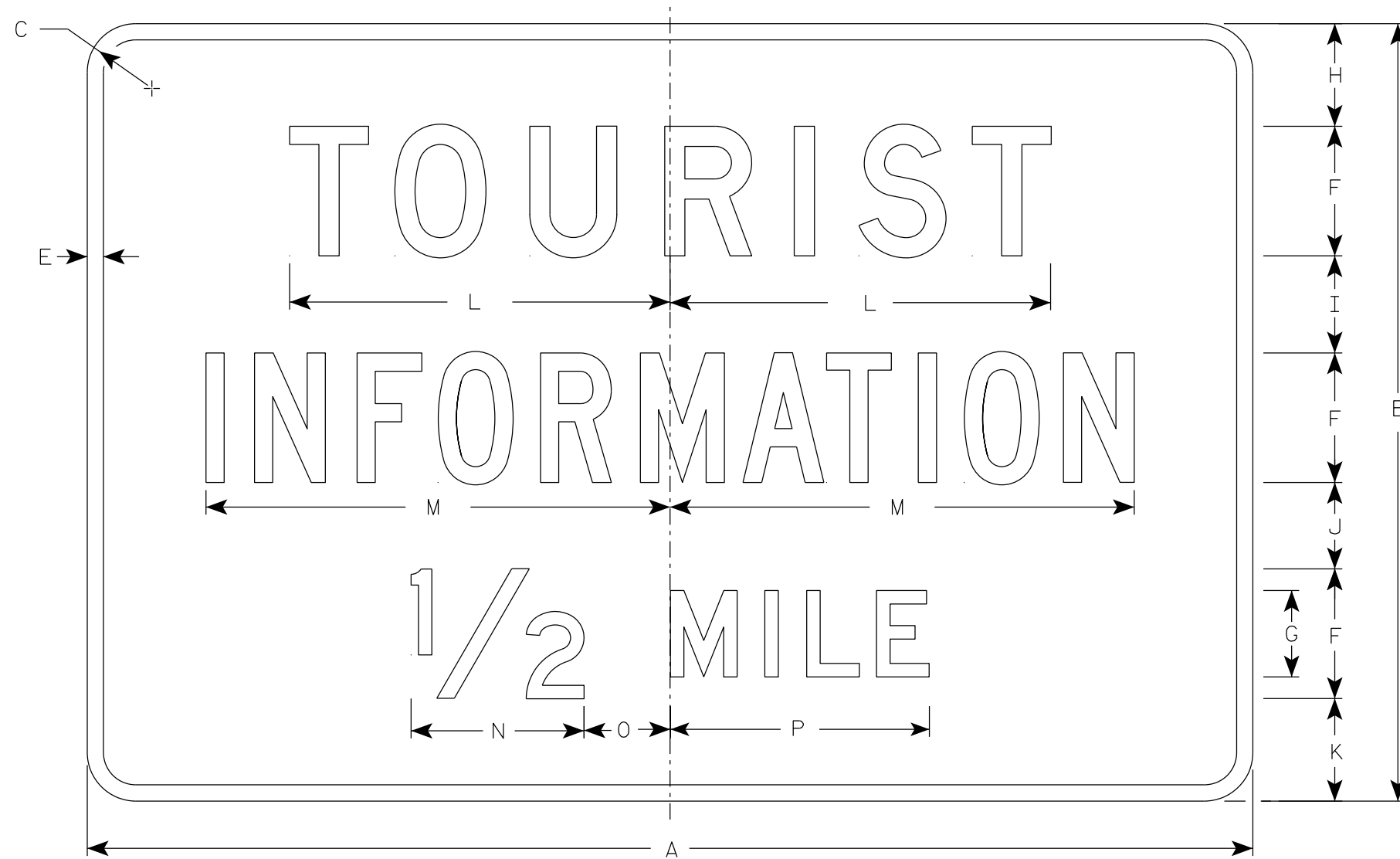
APPROVED *Matthew R. Rauch*  
for State Traffic Engineer

DATE 4/9/19 PLATE NO. D7-56.9

PROJECT NO: \_\_\_\_\_ HWY: \_\_\_\_\_ COUNTY: \_\_\_\_\_ SHEET NO: **E**

NOTES

1. Sign is Type II - Type H Reflective
2. Color:  
Background - Blue  
Message - White
3. Message Series - See note 5
4. Lines 1 & 3 are series D  
Line 2 is series C.



D7-57

7

7

SIZE	A	B	C	D	E	F	G	H	I	J	K	L	M	N	O	P	Q	R	S	T	U	V	W	X	Y	Z	Area sq. ft.
1																											
2	54	36	2 1/4		3/4	6	4	4 3/4	4 1/2	4	4 3/4	17 5/8	21 1/2	8	4	12											13.5
3	72	48	3		1	8	6	6	6	6	6	23 1/4	27 7/8	10 5/8	6	18 7/8											24.0
4																											
5																											

STANDARD SIGN  
D7-57

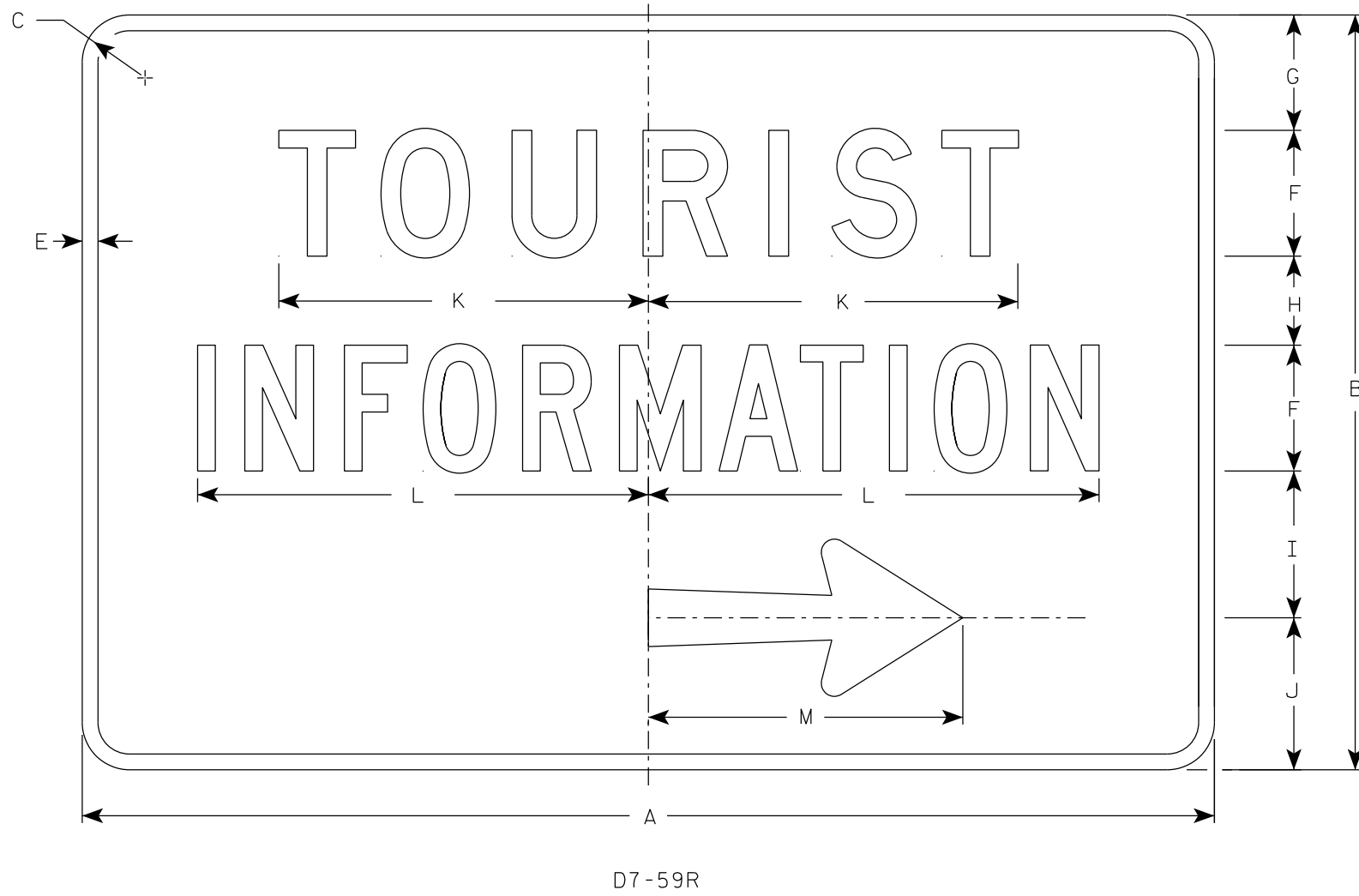
WISCONSIN DEPT OF TRANSPORTATION

APPROVED *Matthew R. Rauch*  
for State Traffic Engineer

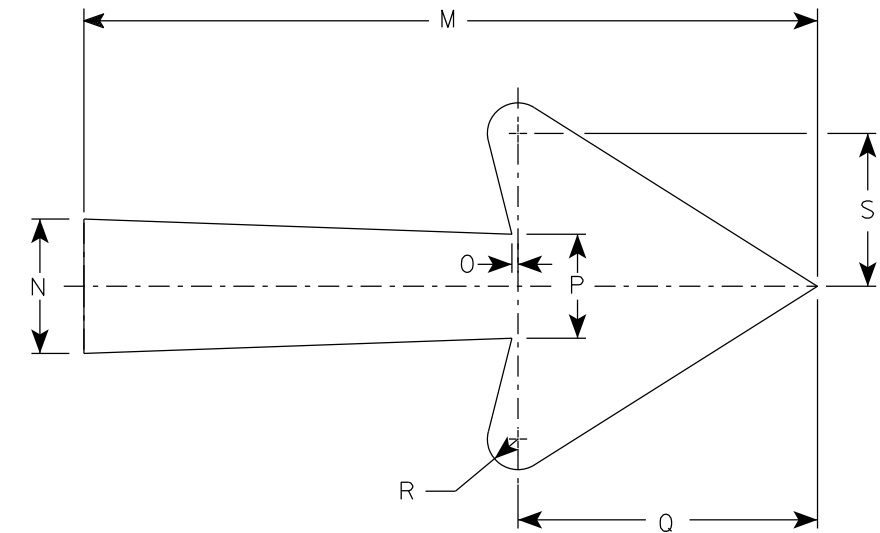
DATE 5/2/19 PLATE NO. D7-57.6

NOTES

1. Sign is Type II - Type H Reflective
2. Color:  
Background - Blue  
Message - White
3. Message Series - Line 1 is series D  
Line 2 is series C
4. D7-59L is same as D7-59R except the arrow is reversed.



D7-59R



Arrow Detail

SIZE	A	B	C	D	E	F	G	H	I	J	K	L	M	N	O	P	Q	R	S	T	U	V	W	X	Y	Z	Area sq. ft.
1																											
2	54	36	2 1/4		3/4	6	4 5/8	4 1/2	7 1/8	7 3/4	17 5/8	21 1/2	15	2 3/4	1/8	2 1/8	6 1/8	5/8	3 1/8								13.5
3	72	48	3		1	8	6	6	10	10	23 1/4	27 7/8	21	4 1/4	1/4	2 3/4	7 7/8	3/4	4								24.0
4																											
5																											

STANDARD SIGN  
D7-59

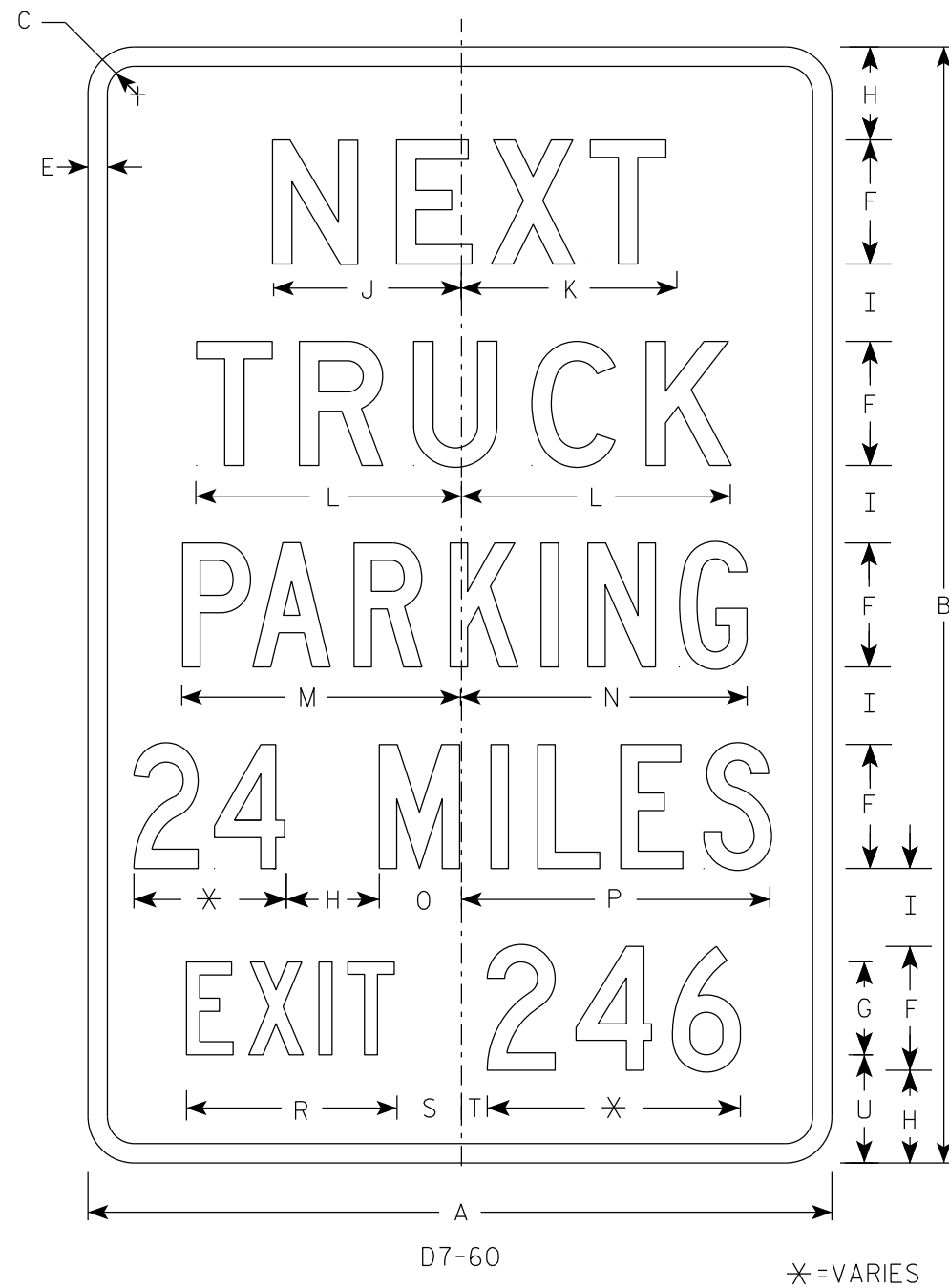
WISCONSIN DEPT OF TRANSPORTATION

APPROVED *Matthew R. Rauch*  
For State Traffic Engineer

DATE 4/9/19 PLATE NO. D7-59.7

NOTES

1. Sign is Type II - Type H Reflective
2. Color:  
Background - Blue  
Message - White - Type H Reflective
3. Message Series - See Note 5
4. Lines 1 & 2 Series D, lines 3, 4, & 5 Series C
5. Line 4 - Apply proper Mileage Number(s) and optically adjust spacing to achieve proper balance
6. Line 5 - Apply proper Exit Numbers and Letters, optically adjust spacing to achieve proper balance



D7-60

\* = VARIES

SIZE	A	B	C	D	E	F	G	H	I	J	K	L	M	N	O	P	Q	R	S	T	U	V	W	X	Y	Z	Area sq. ft.
1																											
2	24	36	1 1/8		5/8	4	3	3	2 1/2	6	6 1/2	8 1/2	9	9 1/4	2 5/8	10		6 3/4	2	1	3 1/2						6.0
3																											
4																											
5																											

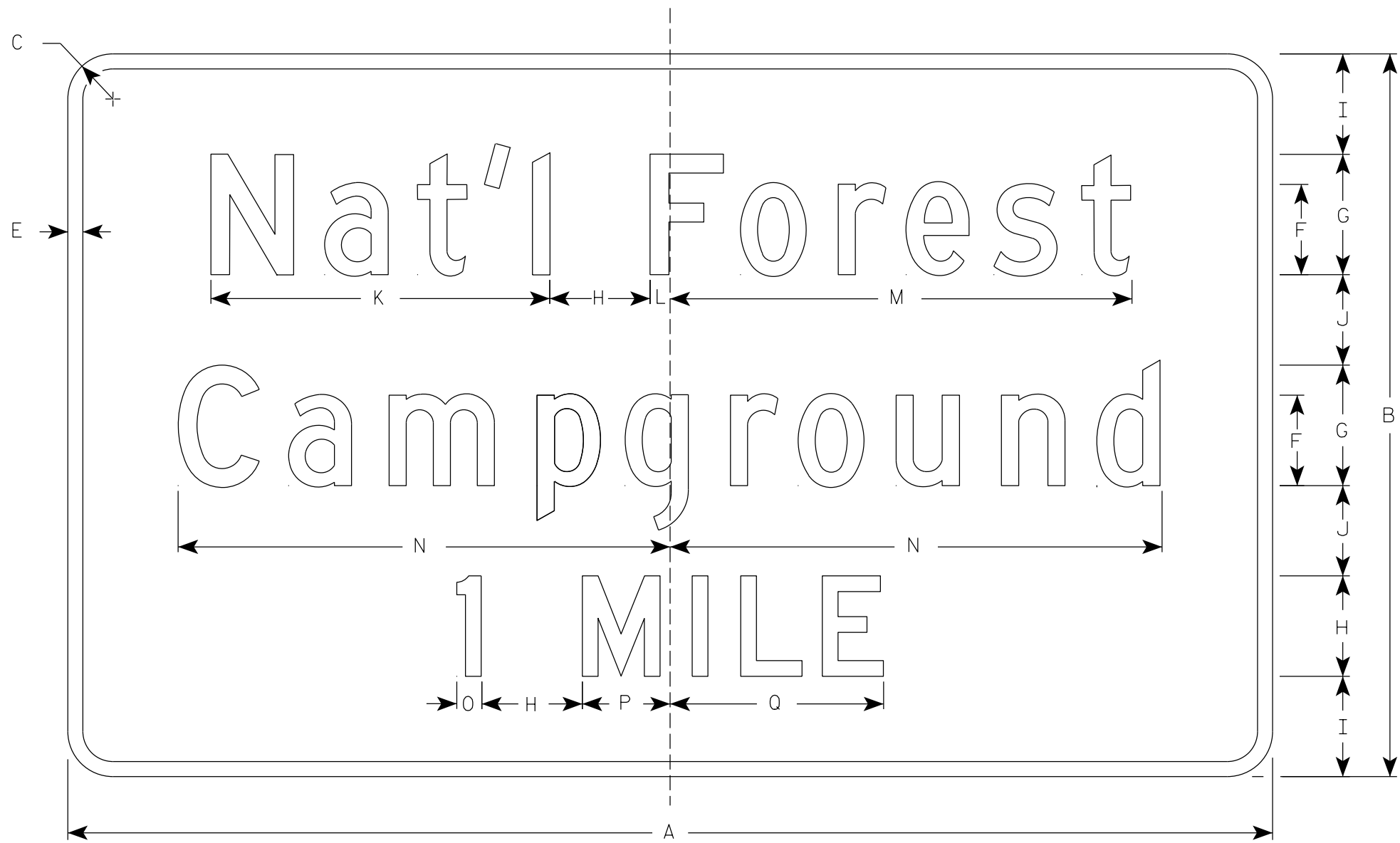
STANDARD SIGN  
D7-60

WISCONSIN DEPT OF TRANSPORTATION

APPROVED *Matthew R. Rauch*  
For State Traffic Engineer

DATE 4/4/19 PLATE NO. D7-60.4

PROJECT NO: \_\_\_\_\_ SHEET NO: **E**



NOTES

1. Sign is Type II - Type H Reflective
2. Color:  
Background - Brown  
Message - White
3. Message Series - D

D7-61

SIZE	A	B	C	D	E	F	G	H	I	J	K	L	M	N	O	P	Q	R	S	T	U	V	W	X	Y	Z	Area sq. ft.
1																											
2	60	36	2 1/4		3/4	4 1/2	6	5	5	4 1/2	16 7/8	1	23	24 1/2	1 1/4	4 3/8	10 5/8									15.0	
3	78	48	3		1	6	8	7	6 1/2	6	23	1 1/2	31 1/2	32 3/4	1 3/4	6 1/2	15 1/4									26.0	
4																											
5																											

STANDARD SIGN  
D7-61

WISCONSIN DEPT OF TRANSPORTATION

APPROVED *Matthew R. Rauch*  
For State Traffic Engineer

DATE 3/19/19 PLATE NO. D7-61.6

7

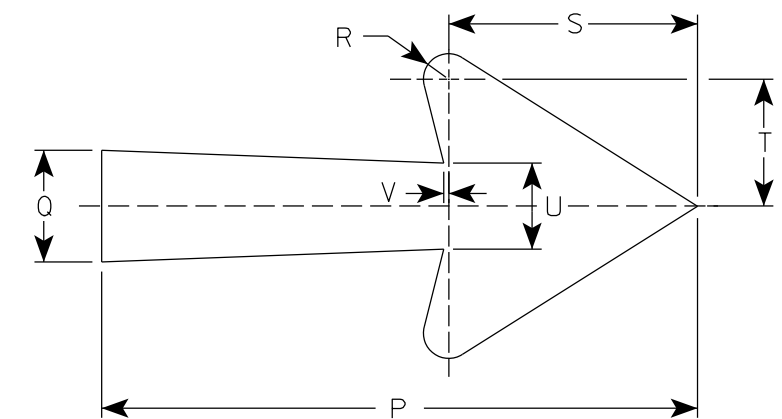
7



D7-63R

NOTES

1. Sign is Type II - Type H Reflective
2. Color:  
Background - Brown  
Message - White
3. Message Series - D
4. D7-63L is the same as D7-63R except that the arrow is reversed.



Arrow Detail

SIZE	A	B	C	D	E	F	G	H	I	J	K	L	M	N	O	P	Q	R	S	T	U	V	W	X	Y	Z	Area sq. ft.
1																											
2	60	36	2 1/4		3/4	4 1/2	6	4 5/8	4 1/2	7 1/8	7 3/4	16 7/8	1	23	24 1/2	21	3 1/4	5/8	6 1/8	3 1/8	2 1/8	1/8	5				15.0
3	78	48	3		1	6	8	6	6	10	10	23	1 1/2	31 1/2	32 3/4	27	4 1/4	3/4	7 7/8	4	2 3/4	1/4	7				26.0
4																											
5																											

STANDARD SIGN  
D7-63

WISCONSIN DEPT OF TRANSPORTATION

APPROVED *Matthew R. Rauch*  
For State Traffic Engineer

DATE 4/3/19 PLATE NO. D7-63.5





NOTES

1. Sign is Type II - Type H Reflective
2. Color:  
     Background - Brown  
     Message - White
3. Message Series - D

D7-64

7

7

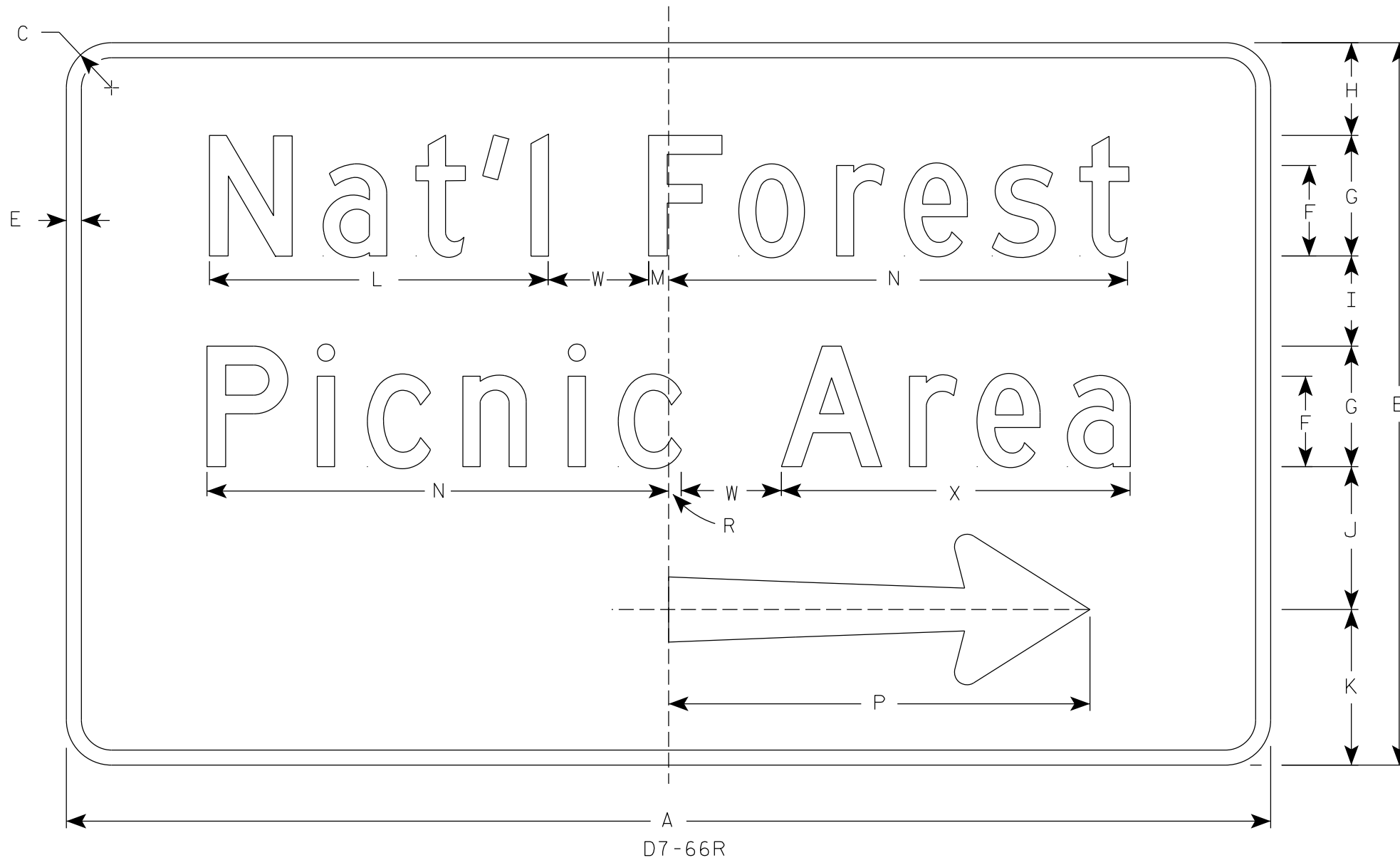
SIZE	A	B	C	D	E	F	G	H	I	J	K	L	M	N	O	P	Q	R	S	T	U	V	W	X	Y	Z	Area sq. ft.
1																											
2	60	36	2 1/4		3/4	4 1/2	6	5	5	4 1/2	16 7/8	1	23	5/8	17 3/8	1 1/4	4 3/8	10 5/8									15.0
3	78	48	3		1	6	8	7	6 1/2	6	23	1 1/2	31	1/8	23 7/8	1 3/4	6 1/2	15 1/4									26.0
4																											
5																											

STANDARD SIGN  
D7-64

WISCONSIN DEPT OF TRANSPORTATION

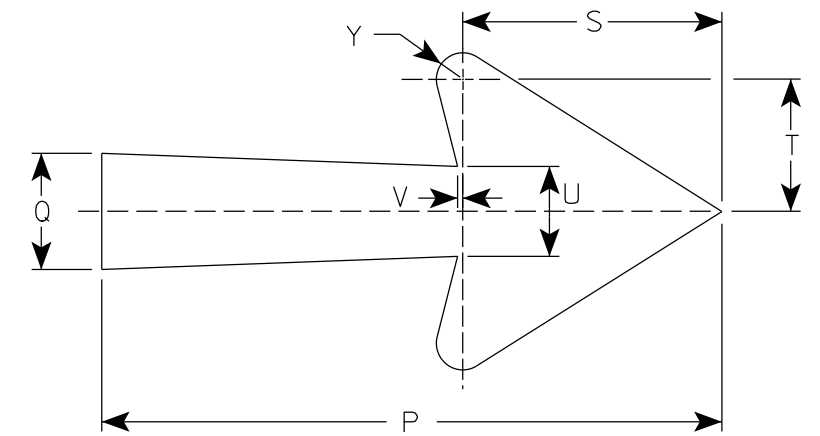
APPROVED *Matthew R. Rauch*  
for State Traffic Engineer

DATE 3/19/19 PLATE NO. D7-64.6



NOTES

1. Sign is Type II - Type H Reflective
2. Color:  
Background - Brown  
Message - White
3. Message Series - D
4. D7-66L is the same as D7-66R except that the arrow is reversed.



Arrow Detail

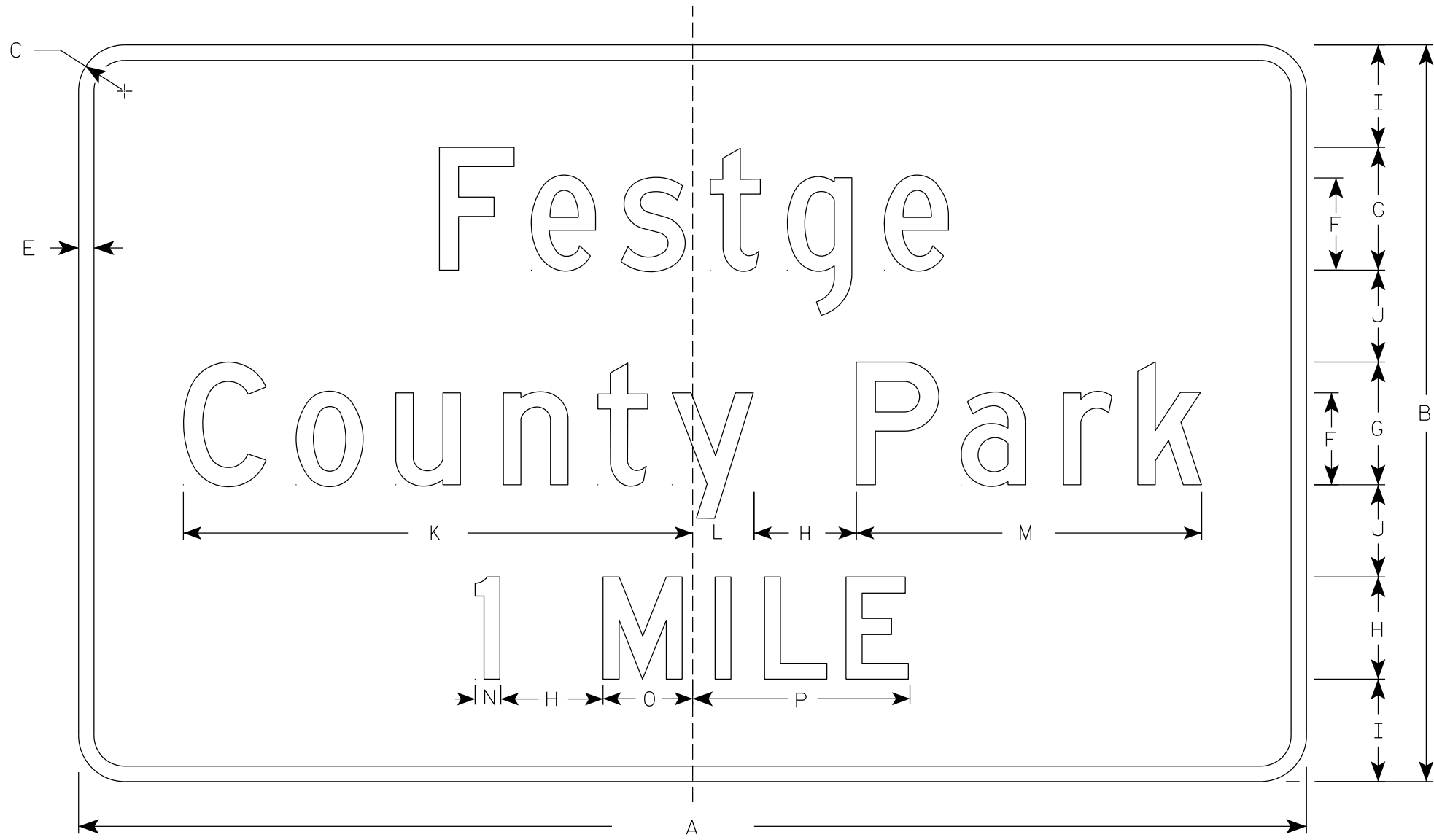
SIZE	A	B	C	D	E	F	G	H	I	J	K	L	M	N	O	P	Q	R	S	T	U	V	W	X	Y	Z	Area sq. ft.
1																											
2	60	36	2 1/4		3/4	4 1/2	6	4 5/8	4 1/2	7 1/8	7 3/4	16 7/8	1	23		21	3 1/4	5/8	6 1/8	3 1/8	2 1/8	1/8	5	17 3/8	5/8		15.0
3	78	48	3		1	6	8	6	6	10	10	23	1 1/2	31		27	4 1/4	1/8	7 7/8	4	2 3/4	1/4	7	23 7/8	3/4		26.0
4																											
5																											

STANDARD SIGN  
D7-66

WISCONSIN DEPT OF TRANSPORTATION

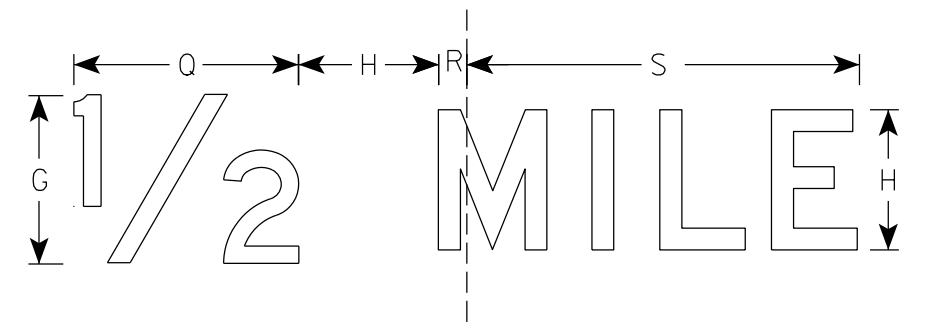
APPROVED *Matthew R. Rauch*  
for State Traffic Engineer

DATE 4/3/19 PLATE NO. D7-66.7



D7-67

- NOTES
1. Sign is Type II - Type H Reflective
  2. Color:  
Background - Brown  
Message - White
  3. Message Series - D
  4. Substitute appropriate name and optically adjust spacing as required to achieve proper balance. When necessary to accommodate name lengthen board by 6" increments. Minimum board width is 60".



D7-67A

SIZE	A	B	C	D	E	F	G	H	I	J	K	L	M	N	O	P	Q	R	S	T	U	V	W	X	Y	Z	Area sq. ft.
1																											
2	Varies	36	2 1/4		3/4	4 1/2	6	5	5	4 1/2	24 7/8	3	16 7/8	1 1/4	4 3/8	10 5/8	8	1	14								Varies
3	Varies	48	3		1	6	8	7	6 1/2	6	33 3/8	3 7/8	22 1/2	1 3/4	6 1/2	15 1/4	9 1/4	2 3/4	19								Varies
4																											
5																											

STANDARD SIGN  
D7-67

WISCONSIN DEPT OF TRANSPORTATION

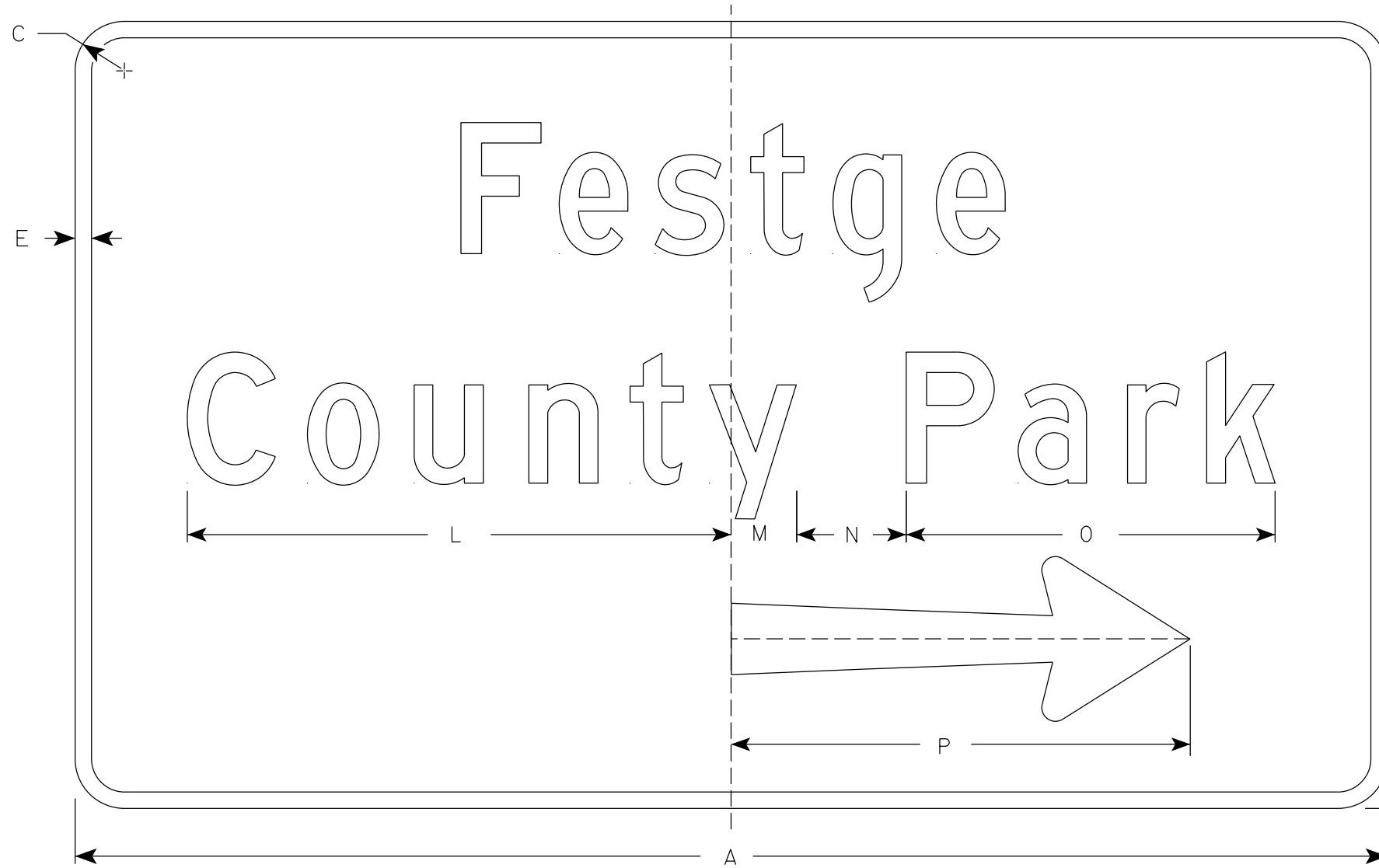
APPROVED *Matthew R. Raub*  
For State Traffic Engineer

DATE 3/19/19 PLATE NO. D7-67.8

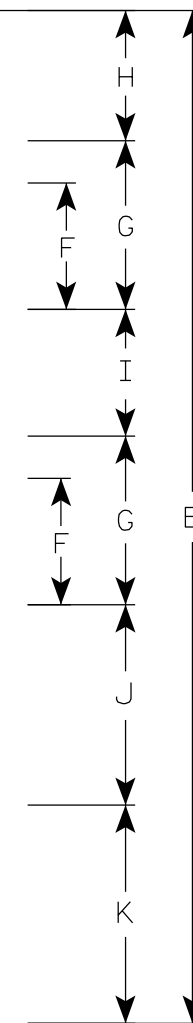
PROJECT NO: \_\_\_\_\_ HWY: \_\_\_\_\_ COUNTY: \_\_\_\_\_ SHEET NO: **E**

7

7

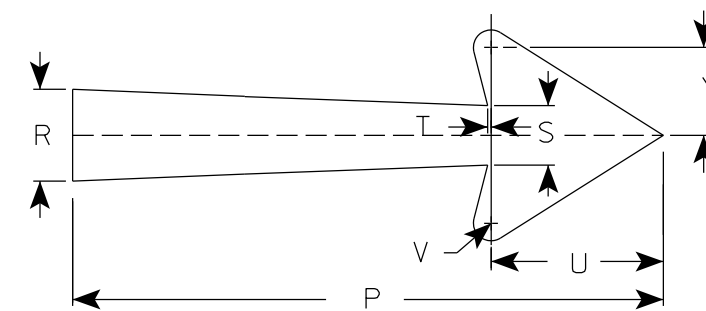


D7-68R



NOTES

1. Sign is Type II - Type H Reflective
2. Color:  
Background - Brown  
Message - White
3. Message Series - D
4. Substitute appropriate name and optically adjust spacing to achieve proper balance. When necessary to accommodate name, lengthen board by 6" increments. Minimum sign width is 60".
5. D7-68L is same as D7-68R except that the arrow is reversed.



Arrow Detail

SIZE	A	B	C	D	E	F	G	H	I	J	K	L	M	N	O	P	Q	R	S	T	U	V	W	X	Y	Z	Area sq. ft.
1																											
2	Varies	36	2 1/4		3/4	4 1/2	6	4 5/8	4 1/2	7 1/8	7 3/4	24 7/8	3	5	16 7/8	21		3 1/4	2 1/8	1/8	6 1/8	5/8			3 1/8		Varies
3	Varies	48	3		1	6	8	6	6	10	10	33 3/8	3 7/8	7	22 1/2	27		4 1/4	2 3/4	1/4	7 7/8	3/4			4		Varies
4																											
5																											

STANDARD SIGN  
D7-68R & L

WISCONSIN DEPT OF TRANSPORTATION

APPROVED *Matthew R. Rauch*  
State Traffic Engineer

DATE 4/18/19 PLATE NO. D7-68R.8

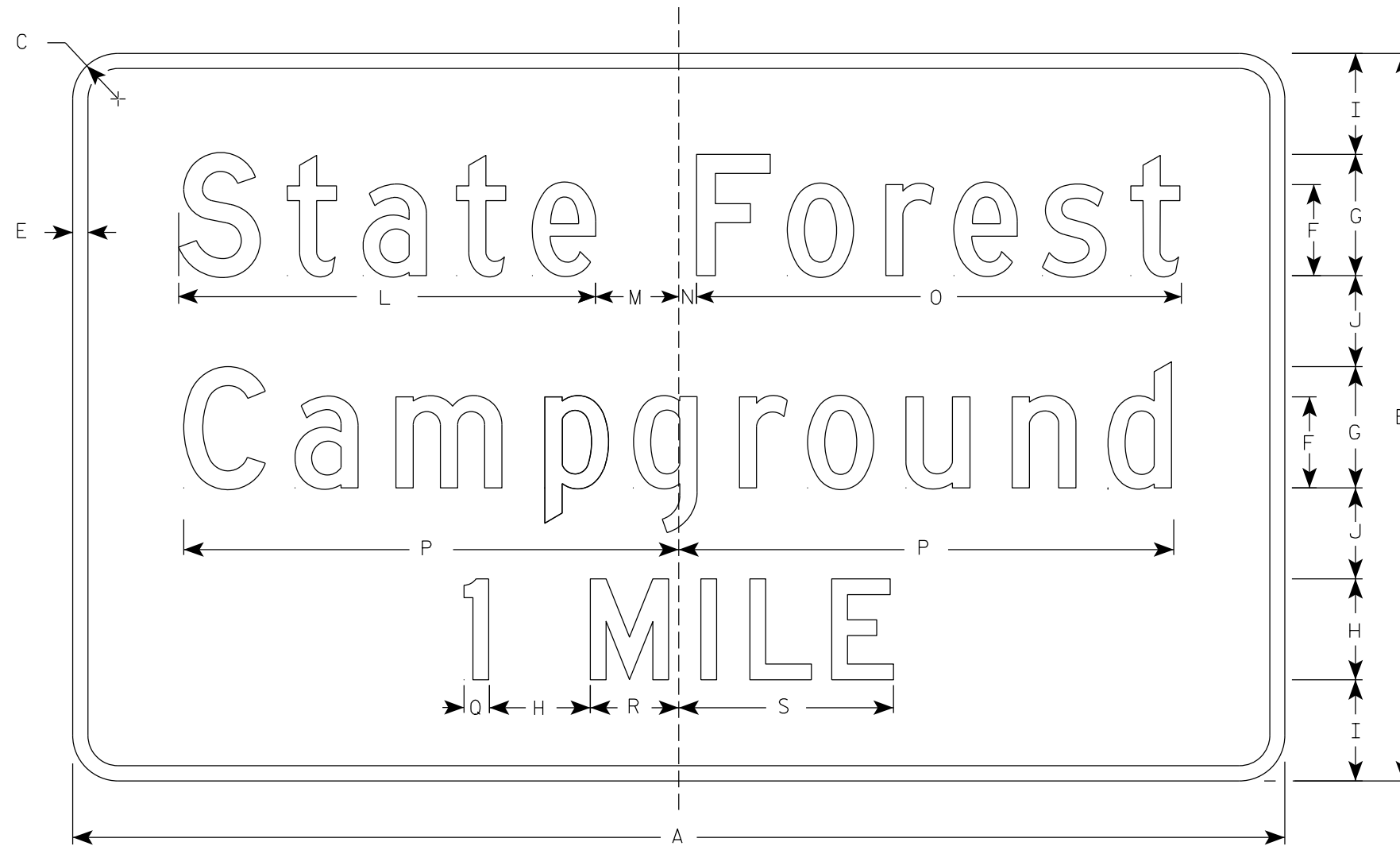
PROJECT NO:

SHEET NO:

E

NOTES

1. Sign is Type II - Type H Reflective
2. Color:  
Background - Brown  
Message - White - Type H Reflective
3. Message Series - D



D7-69

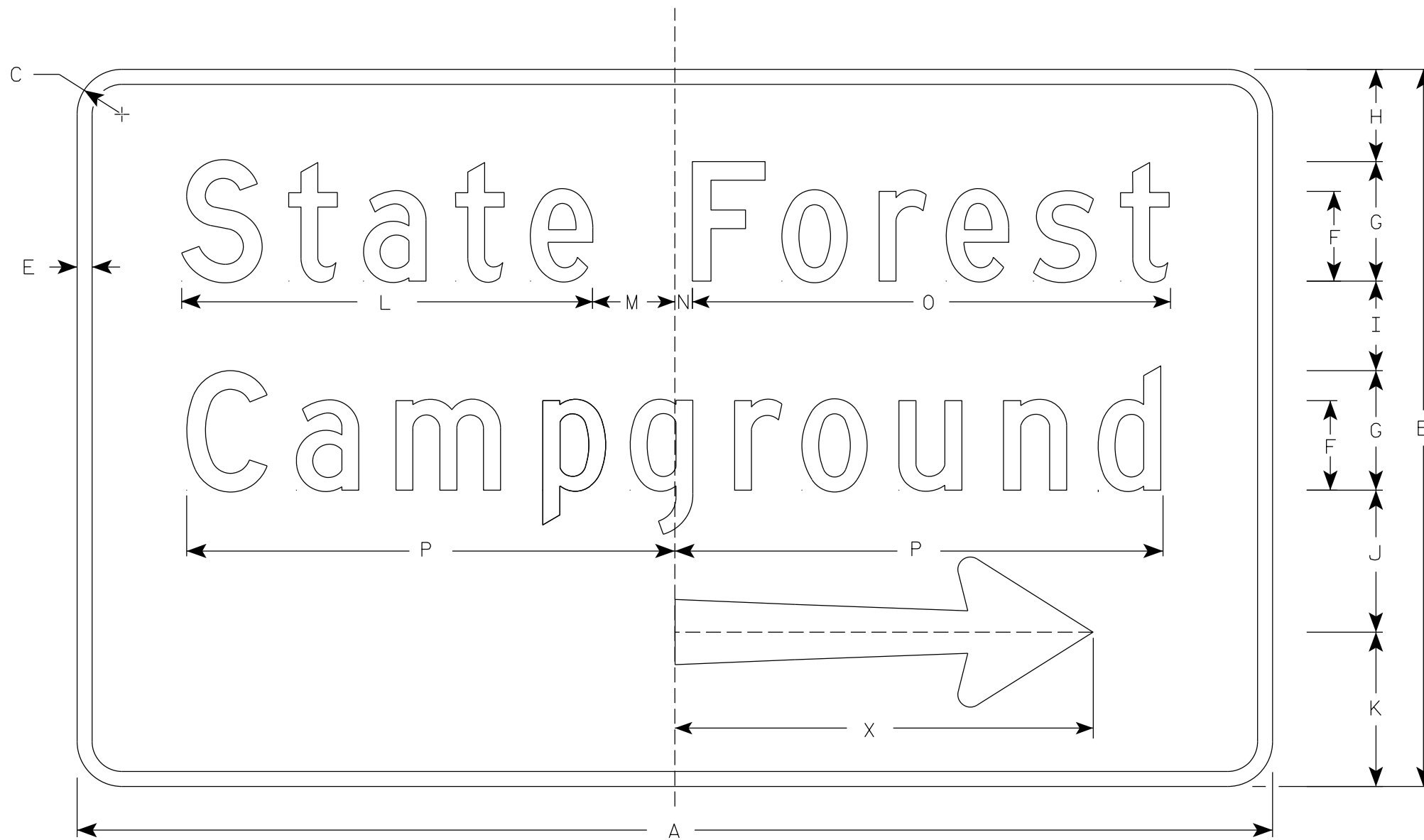
SIZE	A	B	C	D	E	F	G	H	I	J	K	L	M	N	O	P	Q	R	S	T	U	V	W	X	Y	Z	Area sq. ft.
1																											
2	60	36	2 1/4		3/4	4 1/2	6	5	5	4 1/2		20 5/8	4 1/8	7/8	24	24 1/2	1 1/4	4 3/8	10 5/8								15.0
3	84	48	3		1	6	8	7	6 1/2	6		28 1/4	5 7/8	1 1/8	33	32 3/4	1 3/4	6 1/2	15 1/4								28.0
4																											
5																											

STANDARD SIGN  
D7-69

WISCONSIN DEPT OF TRANSPORTATION

APPROVED *Matthew R. Rauch*  
For State Traffic Engineer

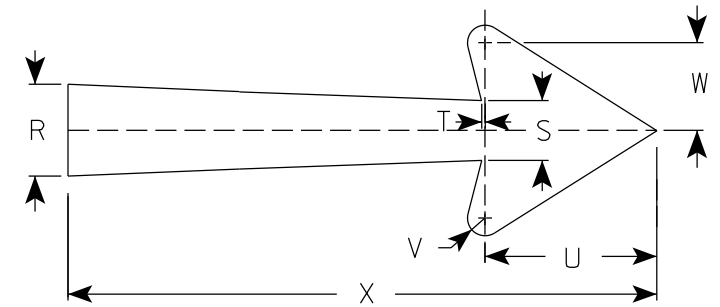
DATE 3/19/19 PLATE NO. D7-69.6



D7-71R

NOTES

1. Sign is Type II - Type H Reflective
2. Color:  
Background - Brown  
Message - White
3. Message Series - D
4. D7-71L is same as D7-71R except that the arrow is reversed.



Arrow Detail

SIZE	A	B	C	D	E	F	G	H	I	J	K	L	M	N	O	P	Q	R	S	T	U	V	W	X	Y	Z	Area sq. ft.
1																											
2	60	36	2 1/4		3/4	4 1/2	6	4 5/8	4 1/2	7 1/8	7 3/4	20 5/8	4 1/8	7/8	24	24 1/2		3 1/4	2 1/8	1/8	6 1/8	5/8	3 1/8	21			15.0
3	84	48	3		1	6	8	6	6	10	10	28 1/4	5 7/8	1 1/8	33	32 3/4		4 1/4	2 3/4	1/4	7 7/8	3/4	4	27			28.0
4																											
5																											

STANDARD SIGN  
D7-71

WISCONSIN DEPT OF TRANSPORTATION

APPROVED *Matthew R Rauch*  
For State Traffic Engineer

DATE 4/4/19 PLATE NO. D7-71.7

NOTES

1. Sign is Type II - Type H Reflective
2. Color:  
Background - Brown  
Message - White
3. Message Series - D



D7-72

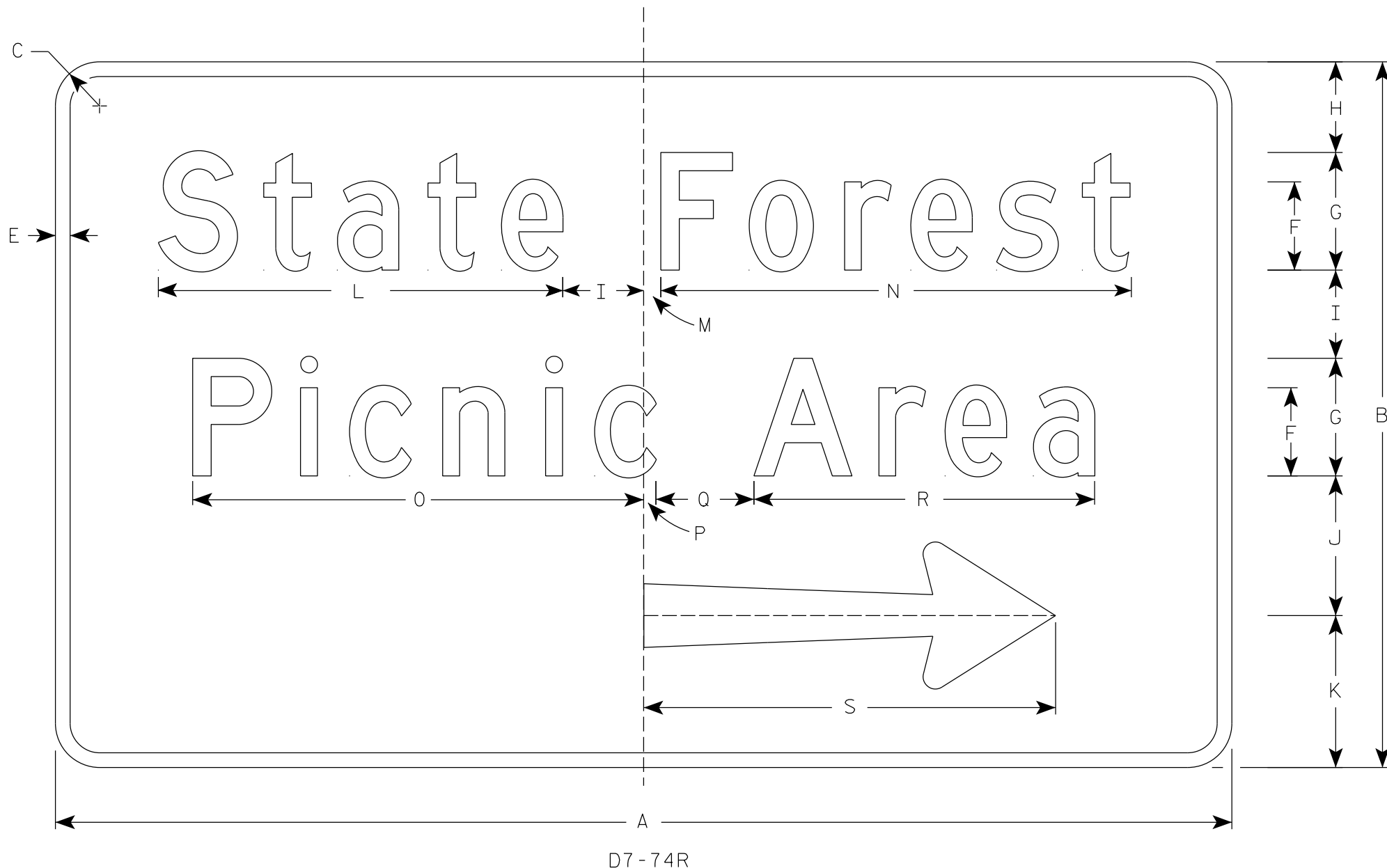
SIZE	A	B	C	D	E	F	G	H	I	J	K	L	M	N	O	P	Q	R	S	T	U	V	W	X	Y	Z	Area sq. ft.
1																											
2	60	36	2 1/4		3/4	4 1/2	6	5	5	4 1/2	20 5/8	4 1/8	7/8	24	23	5/8	17 3/8	1 1/4	4 3/8	10 5/8							15.0
3	84	48	3		1	6	8	7	6 1/2	6	28 1/4	5 7/8	1 1/8	33	31	1/8	23 1/4	1 3/4	6 1/2	15 1/4							28.0
4																											
5																											

STANDARD SIGN  
D7-72

WISCONSIN DEPT OF TRANSPORTATION

APPROVED *Matthew R. Rauch*  
For State Traffic Engineer

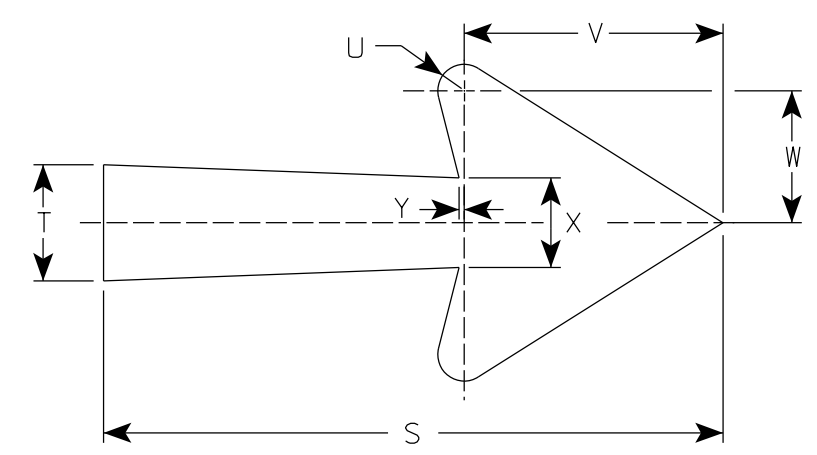
DATE 3/19/19 PLATE NO. D7-72.6



D7-74R

NOTES

1. Sign is Type II - Type H Reflective
2. Color:  
Background - Brown  
Message - White
3. Message Series - D
4. D7-74L is the same as D7-74R except that the arrow is reversed.



Arrow Detail

SIZE	A	B	C	D	E	F	G	H	I	J	K	L	M	N	O	P	Q	R	S	T	U	V	W	X	Y	Z	Area sq. ft.
1																											
2	60	36	2 1/4		3/4	4 1/2	6	4 5/8	4 1/2	7 1/8	7 3/4	20 5/8	7/8	24	23	5/8	5	17 3/8	21	3 1/4	5/8	6 1/8	3 1/8	2 1/8	1/8		15.0
3	84	48	3		1	6	8	6	6	10	10	28 1/4	1 1/8	33	31	1/8	7	23 1/4	27	4 1/4	3/4	7 7/8	4	2 3/4	1/4		28.0
4																											
5																											

STANDARD SIGN  
D7-74

WISCONSIN DEPT OF TRANSPORTATION

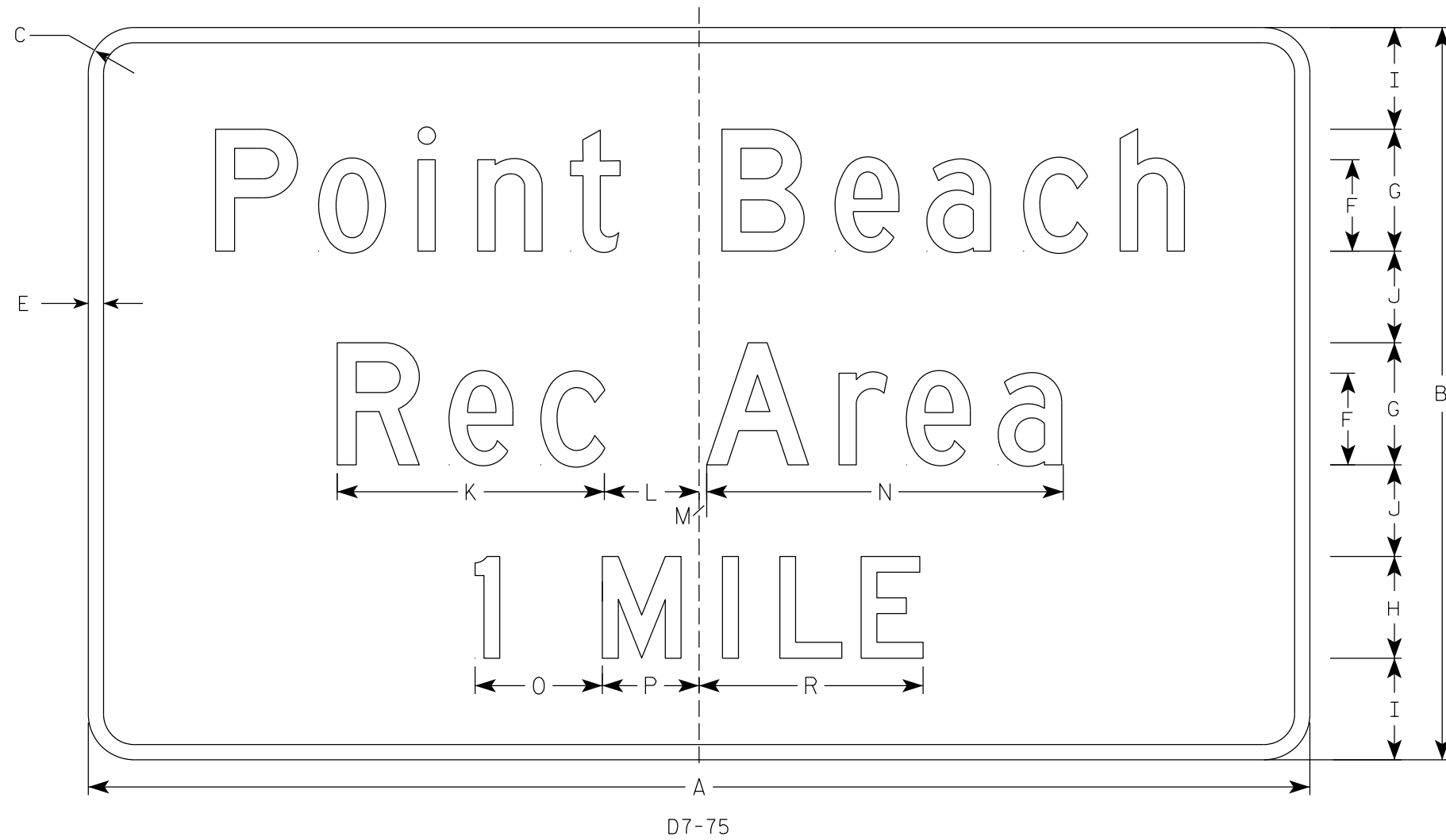
APPROVED: *Matthew R. Rauch*  
For State Traffic Engineer

DATE 4/4/19 PLATE NO. D7-74.6



NOTES

1. Sign is Type II - Type H Reflective - reference
2. Color:  
Background - Brown  
Message - White
3. Message Series - D
4. Substitute appropriate name and adjust spacing as required to achieve proper balance. When necessary to accommodate name, lengthen board by 6" increments. Minimum sign length is 48".



7

7

SIZE	A	B	C	D	E	F	G	H	I	J	K	L	M	N	O	P	Q	R	S	T	U	V	W	X	Y	Z	Area sq. ft.
1																											
2	Varies	36	2 1/4		3/4	4 1/2	6	5	5	4 1/2	13 1/8	4 5/8	3/8	17 1/2	6 1/4	4 3/4		11									Varies
3	Varies	48	3		1	6	8	7	6 1/2	6	18	6 3/8	5/8	23 3/4	8 3/4	6 1/2		15 1/4									Varies
4																											
5																											

STANDARD SIGN  
D7-75

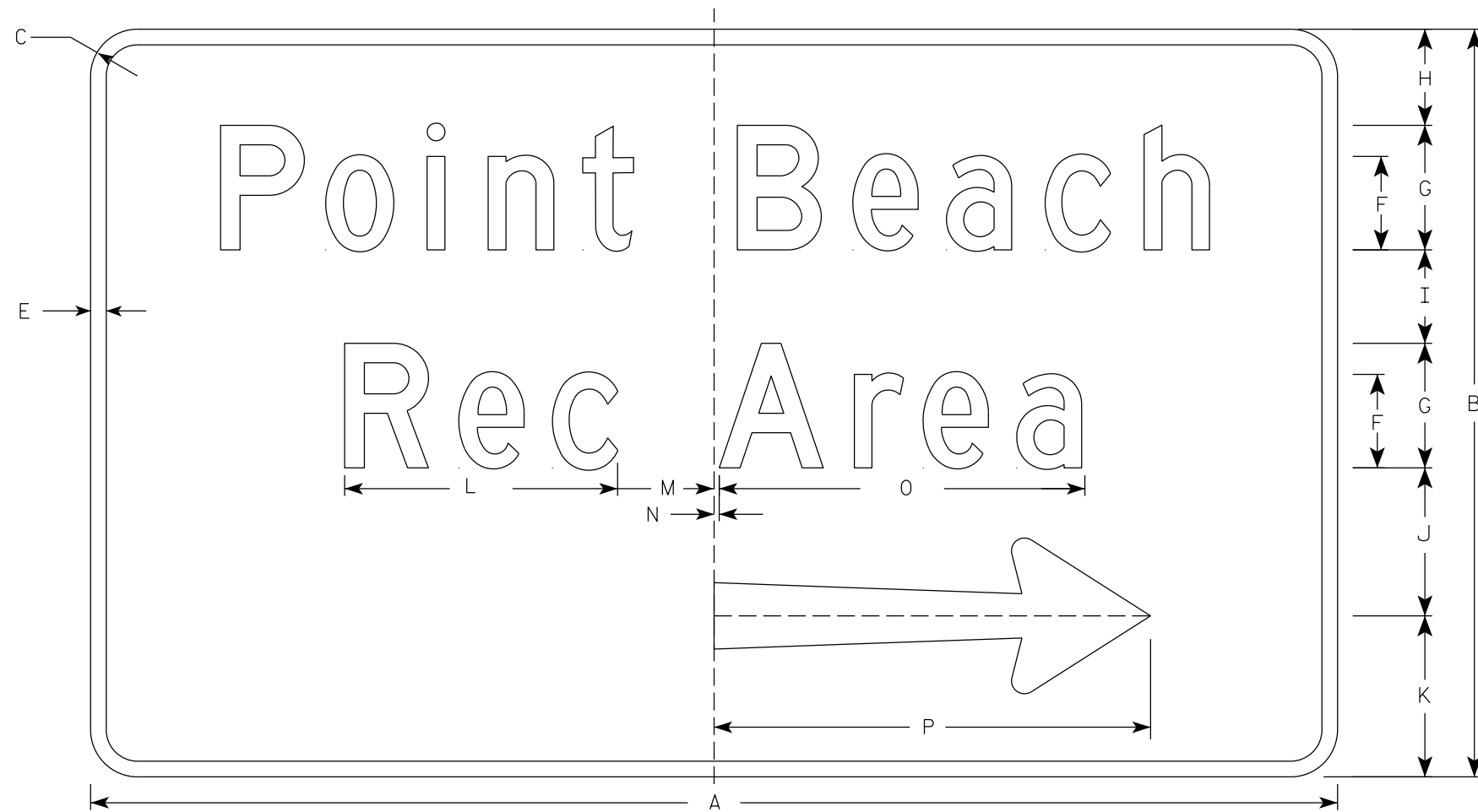
WISCONSIN DEPT OF TRANSPORTATION

APPROVED *Matthew R. Rauch*  
For State Traffic Engineer

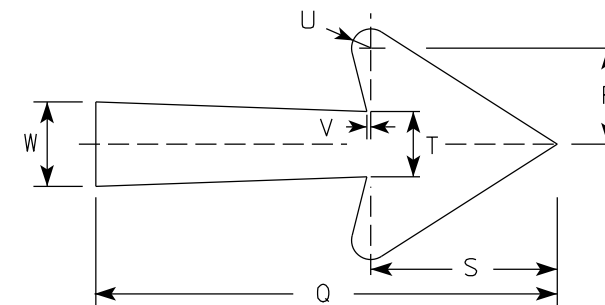
DATE 3/19/19 PLATE NO. D7-75.6

NOTES

1. Sign is Type II - Type H Reflective
2. Color:  
Background - Brown  
Message - White
3. Message Series - D
4. D7-77L is same as D7-77R except the arrow is reversed.
5. Substitute appropriate name and adjust spacing as required to achieve proper balance. When necessary to accommodate name, lengthen board by 6" increments. Minimum sign length is 48".
6. Use 15" arrow for sign lengths up to 54" and use 21" arrow for sign lengths of 60" or larger for size 2 signs. Use 21" arrow for sign lengths up to 60 and use 27" arrow for sign lengths of 66" or larger for size 3 signs.



D7-77R



Arrow Detail

SIZE	A	B	C	D	E	F	G	H	I	J	K	L	M	N	O	P	Q	R	S	T	U	V	W	X	Y	Z	Area sq. ft.
2	Varies	36	2 1/4		3/4	4 1/2	6	4 5/8	4 1/2	7 1/8	7 3/4	13 1/8	4 5/8	3/8	17 1/2	21	15	3 1/8	6 1/8	2 1/8	5/8	1/8	3 1/4				Varies
3	Varies	48	3		1	6	8	6	6	10	10	18	6 3/8	5/8	23 3/4	27	21	4	7 7/8	2 3/4	3/4	1/4	4 1/4				Varies
4																											
5																											

STANDARD SIGN  
D7-77

WISCONSIN DEPT OF TRANSPORTATION

APPROVED *Matthew R. Rauch*  
For State Traffic Engineer

DATE 4/18/19 PLATE NO. D7-77.6

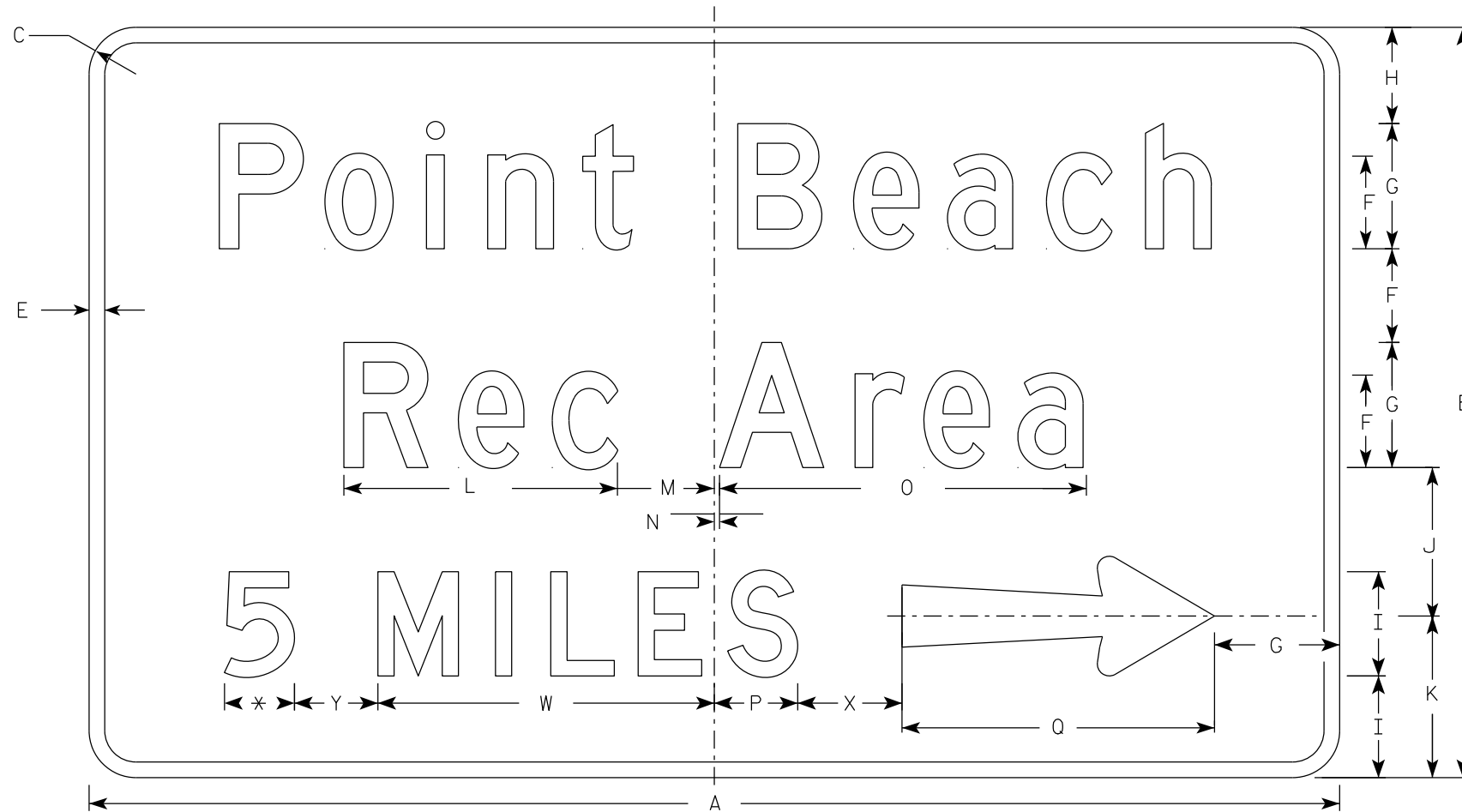
7

7

D7-77 is to be used with no mileage shown, unless the mileage is 5 or more miles

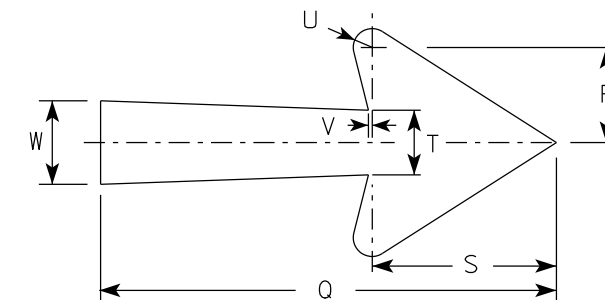
NOTES

1. Sign is Type II - Type H Reflective
2. Color:  
Background - Brown  
Message - White
3. Message Series - D
4. D7-77LA is same as D7-77RA except the arrow and miles are reversed.
5. Substitute appropriate name and numerals and adjust spacing as required to achieve proper balance. When necessary to accommodate name, lengthen board by 6" increments.



D7-77AR

\* = VARIES



Arrow Detail

SIZE	A	B	C	D	E	F	G	H	I	J	K	L	M	N	O	P	Q	R	S	T	U	V	W	X	Y	Z	Area sq. ft.
2	Varies	36	2 1/4		3/4	4 1/2	6	4 5/8	5	7 1/8	7 3/4	13 1/8	4 5/8	3/8	17 1/2	4	15	3 1/8	6 1/8	2 1/8	5/8	1/8	16 1/8	5	4		Varies
3	Varies	48	3		1	6	8	6	6 3/4	10	10	18	6 3/8	5/8	23 3/4	7	21	4	7 7/8	2 3/4	3/4	1/4	21 1/4	5	6		Varies
4																											
5																											

STANDARD SIGN  
D7-77A

WISCONSIN DEPT OF TRANSPORTATION

APPROVED *Matthew R. Rauch*  
for State Traffic Engineer

DATE 4/10/19 PLATE NO. D7-77A.2

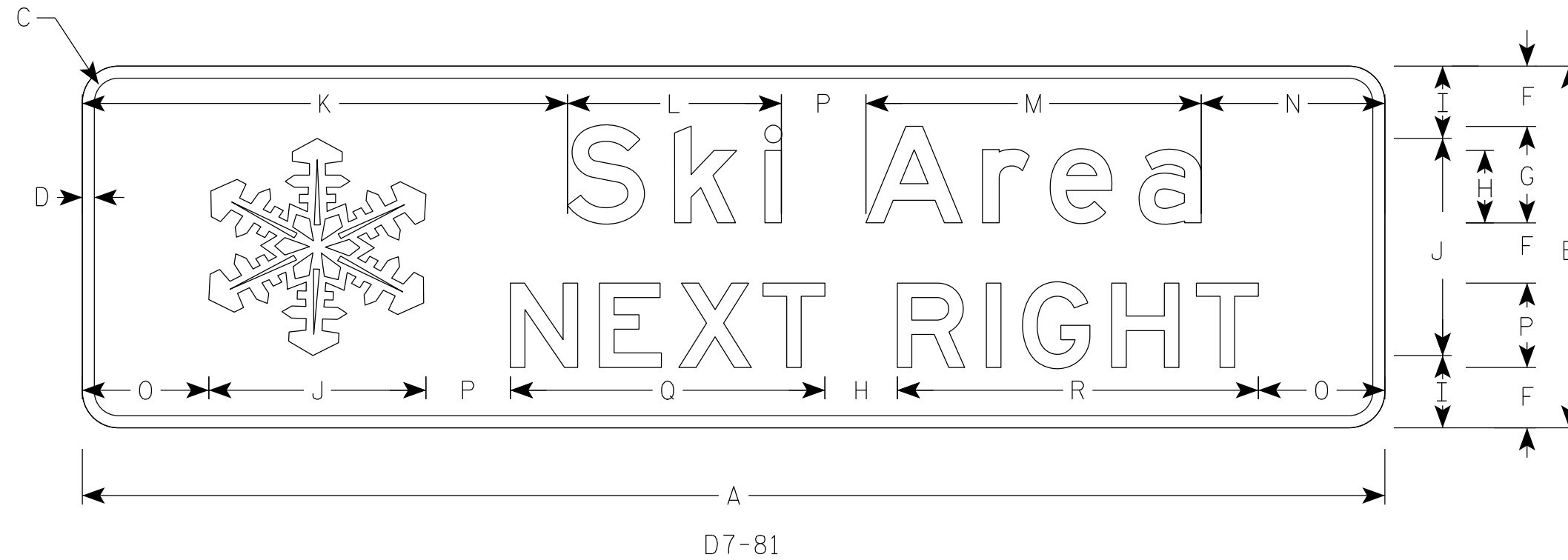
PROJECT NO: \_\_\_\_\_ SHEET NO: **E**

7

7

NOTES

1. Sign is Type II - Type H Reflective
2. Color:  
Background - Brown  
Message - White
3. Message Series - E



7

7

SIZE	A	B	C	D	E	F	G	H	I	J	K	L	M	N	O	P	Q	R	S	T	U	V	W	X	Y	Z	Area sq. ft.
1																											
2	108	30	3	1		5	8	6	6	18	40 1/4	17 3/4	27 3/4	15 1/4	10 1/2	7	26 1/8	29 7/8									22.5
3																											
4																											
5																											

STANDARD SIGN  
D7-81

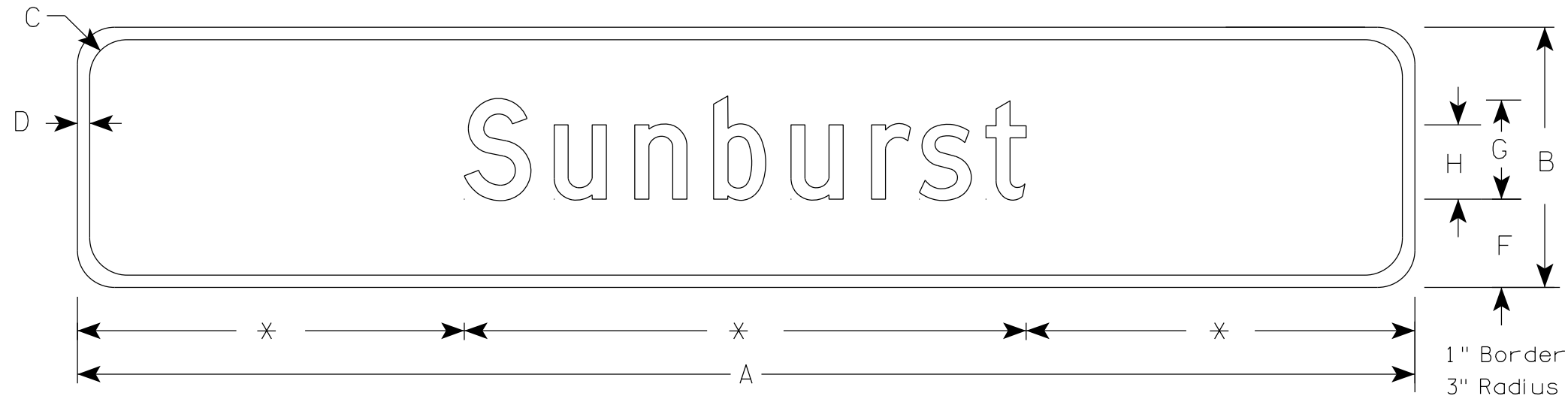
WISCONSIN DEPT OF TRANSPORTATION

APPROVED *Matthew R. Rauch*  
for State Traffic Engineer

DATE 4/4/19 PLATE NO. D7-81.2

NOTES

1. Sign is Type II - Type H Reflective
2. Color:  
Background - BROWN  
Message - WHITE
3. Message Series - D or C if sign over 108"



D7-81A

\* VARIES

SIZE	A	B	C	D	E	F	G	H	I	J	K	L	M	N	O	P	Q	R	S	T	U	V	W	X	Y	Z	Area sq. ft.
1																											
2	108	21	3	1		7	8	6																			15.75
3																											
4																											
5																											

STANDARD SIGN  
D7-81A

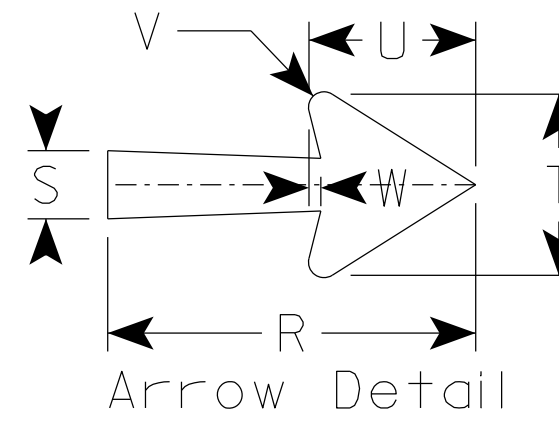
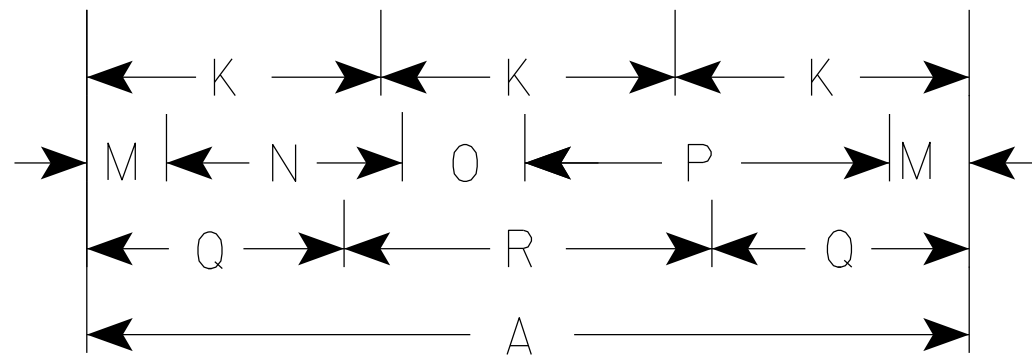
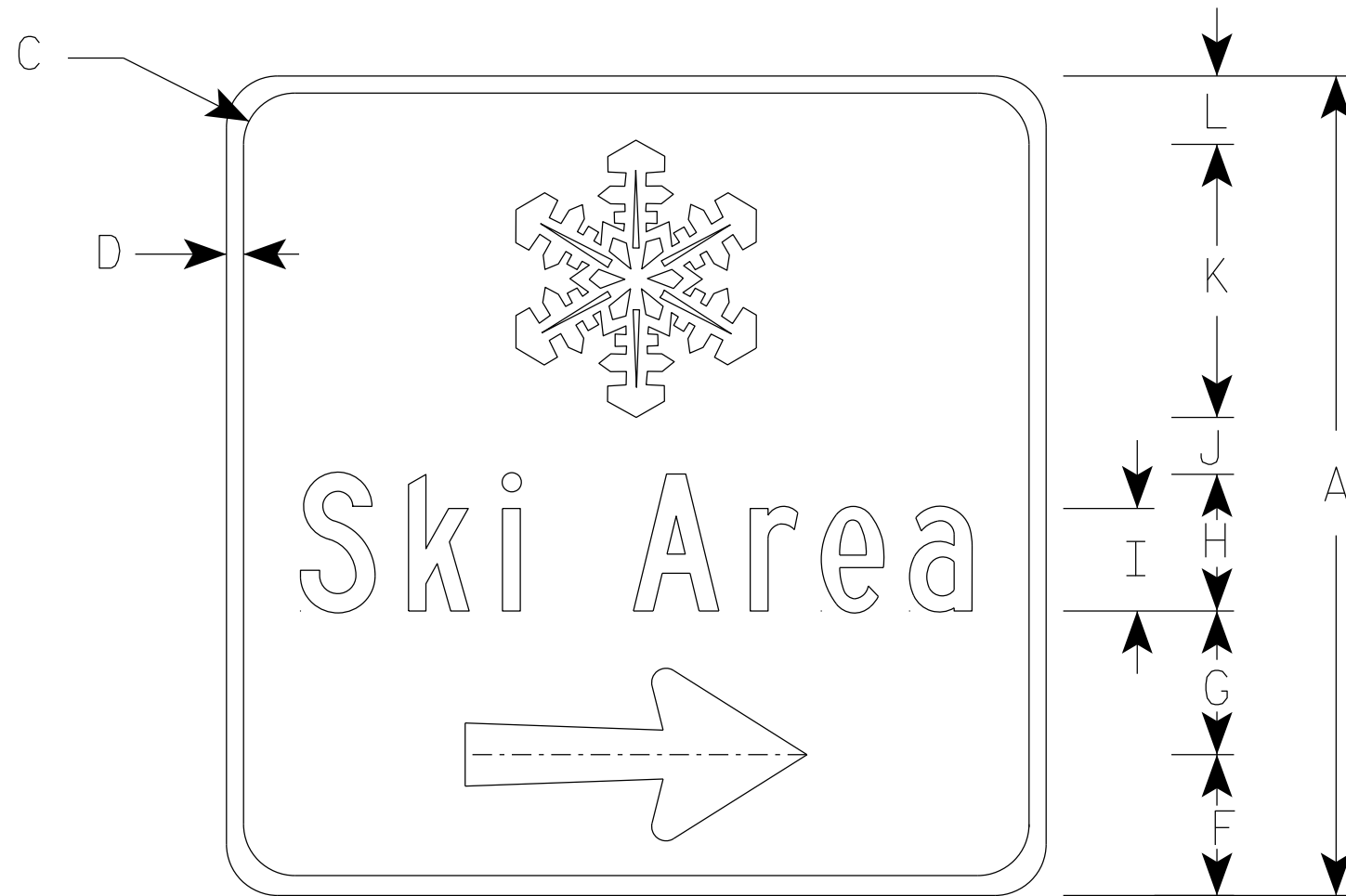
WISCONSIN DEPT OF TRANSPORTATION

APPROVED *Matthew R. Rauch*  
for State Traffic Engineer

DATE 3/20/19 PLATE NO. D7-81A.2

NOTES

1. Sign is Type II - Type H Reflective
2. Color:  
Background - Brown  
Message - White
3. Message Series - C
4. D7-82L is the same as D7-82R except the arrow is reversed



D7-82R

SIZE	A	B	C	D	E	F	G	H	I	J	K	L	M	N	O	P	Q	R	S	T	U	V	W	X	Y	Z	Area sq. ft.
1																											
2	36		2 1/4	3/4		6 1/4	6 3/8	6	4 1/2	2 1/2	12	3	3 1/4	9 5/8	5	14 7/8	10 1/2	15	2 3/4	7 3/8	6 3/4	5/8	1/2			9.0	
3																											
4																											
5																											

STANDARD SIGN  
D7-82

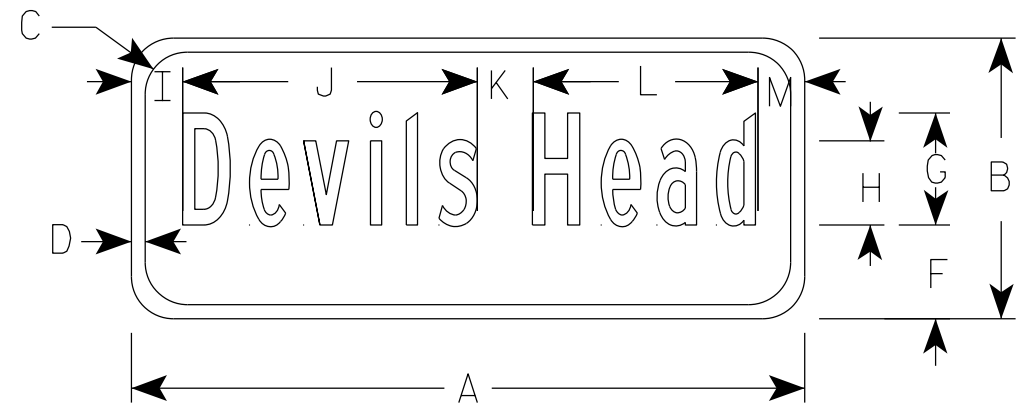
WISCONSIN DEPT OF TRANSPORTATION

APPROVED *Matthew R Rauch*  
For State Traffic Engineer

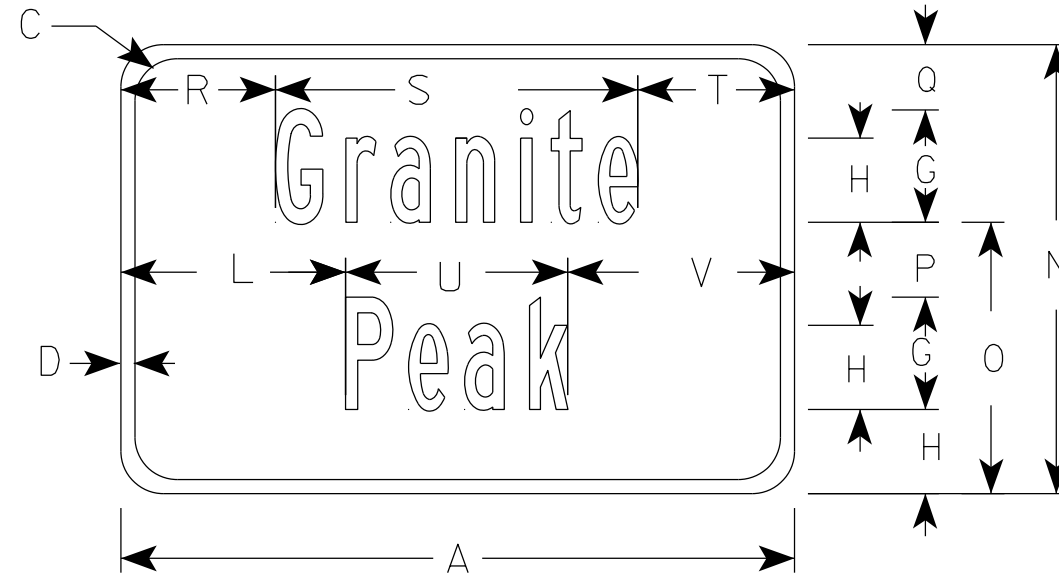
DATE 7/3/19 PLATE NO. D7-82.2

7

7



D7-82A



D7-82B

NOTES

1. Sign is Type II - Type H Reflective
2. Color:  
Background - BROWN  
Message - WHITE
3. Message Series - B

7

7

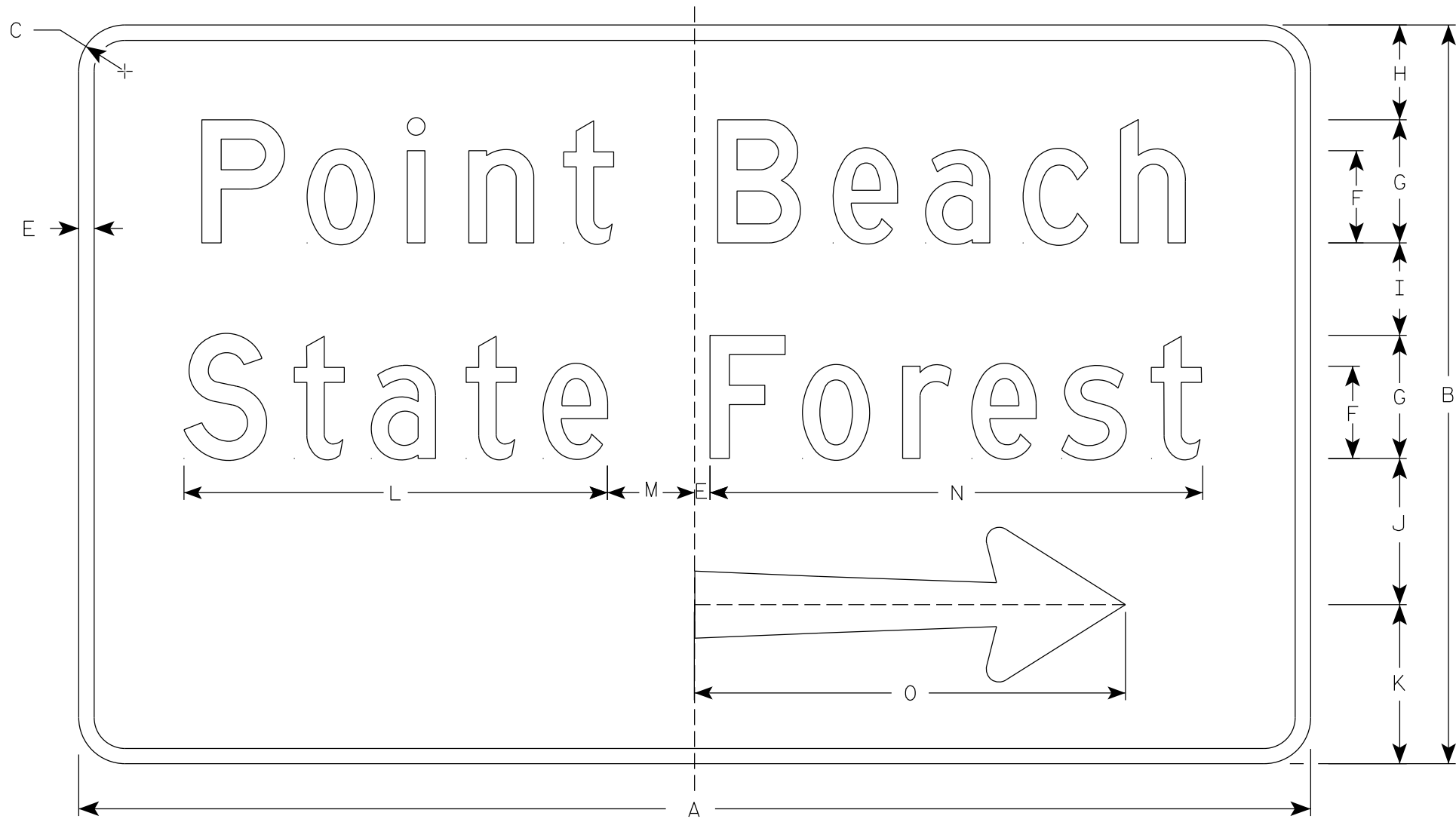
SIZE	A	B	C	D	E	F	G	H	I	J	K	L	M	N	O	P	Q	R	S	T	U	V	W	X	Y	Z	D7-82A Area sq. ft.	D7-82B Area sq. ft.
1																												
2	36	15	2 1/4	3/4		5	6	4 1/2	2 3/4	15 3/4	3	12	2 1/2	24	14 1/2	4	3 1/2	8 1/4	19 3/8	8 3/8	11 7/8	12 1/8				3.75	6.0	
3																												
4																												
5																												

STANDARD SIGN  
D7-82A&B

WISCONSIN DEPT OF TRANSPORTATION

APPROVED *Matthew R. Rauch*  
for  
State Traffic Engineer

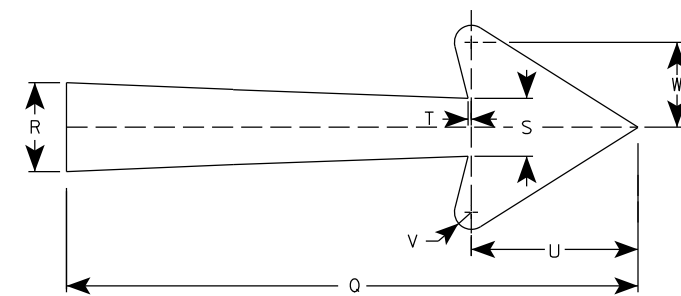
DATE 3/20/19 PLATE NO. D7-82AB.2



NOTES

1. Sign is Type II - Type H Reflective
2. Color:  
Background - Brown  
Message - White
3. Message Series - D
4. D7-91L is same as D7-91R except that the arrow is reversed.
5. Substitute appropriate name and adjust spacing as required to achieve proper balance. When necessary to accommodate name, minimum sign length is 60".

D7-91R



Arrow Detail

SIZE	A	B	C	D	E	F	G	H	I	J	K	L	M	N	O	P	Q	R	S	T	U	V	W	X	Y	Z	Area sq. ft.
1																											
2	Varies	36	2 1/4		3/4	4 1/2	6	4 5/8	4 1/2	7 1/8	7 3/4	20 5/8	4 1/4	24	21			3 1/4	2 1/8	1/8	6 1/8	5/8	3 1/8				Varies
3	Varies	48	3		1	6	8	6	6	10	10	28 1/4	6	33	27			4 1/4	2 3/4	1/4	7 7/8	3/4	4				Varies
4																											
5																											

STANDARD SIGN  
D7-91

WISCONSIN DEPT OF TRANSPORTATION

APPROVED *Matthew R. Rauch*  
State Traffic Engineer

DATE 4/18/19 PLATE NO. D7-91.2





D7-92

NOTES

1. Sign is Type II - Type H Reflective
2. Color:  
Background - Brown  
Message - White
3. Message Series - D
4. Substitute appropriate name and adjust spacing as required to achieve proper balance. When necessary to accommodate name, lengthen board by 6" increments. Minimum sign length is 60".

7

7

SIZE	A	B	C	D	E	F	G	H	I	J	K	L	M	N	O	P	Q	R	S	T	U	V	W	X	Y	Z	Area sq. ft.
1																											
2	Varies	36	2 1/4		3/4	4 1/2	6	5	5	20 5/8	4 1/2	24	1 1/4	4 3/8	10 5/8												Varies
3	Varies	48	3		1	6	8	7	6 1/2	28 1/4	6	33	1 3/4	6 1/2	15 1/4												Varies
4																											
5																											

STANDARD SIGN  
D7-92

WISCONSIN DEPT OF TRANSPORTATION

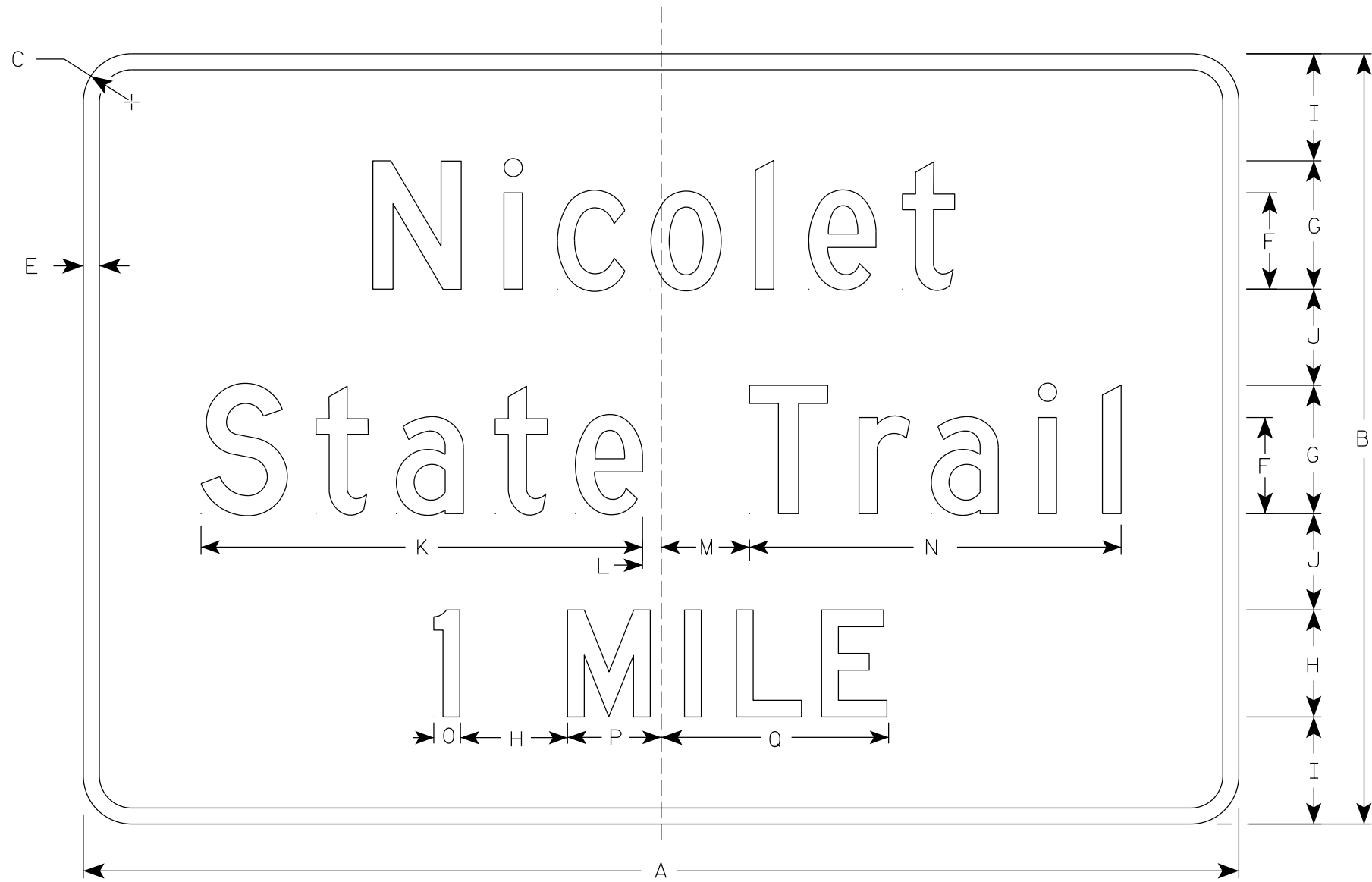
APPROVED *Matthew R. Rauch*  
For State Traffic Engineer

DATE 3/20/19 PLATE NO. D7-92.2

PROJECT NO: \_\_\_\_\_ SHEET NO: **E**

NOTES

1. Sign is Type II - Type H Reflective
2. Color:  
Background - Brown  
Message - White  
Message Series - D
3. Substitute appropriate name and optically adjust spacing as required to achieve proper balance. When necessary to accommodate name, lengthen board by 6" increments. Minimum board width is 54".



D7-93

SIZE	A	B	C	D	E	F	G	H	I	J	K	L	M	N	O	P	Q	R	S	T	U	V	W	X	Y	Z	Area sq. ft.
1																											
2	Varies	36	2 1/4		3/4	4 1/2	6	5	5	4 1/2	20 5/8	7/8	4 1/8	17 3/8	1 1/4	4 3/8	10 5/8										Varies
3	Varies	48	3		1	6	8	7	6 1/2	6	27 1/2	1 5/8	5 3/8	23 3/4	1 3/4	6 1/2	13 1/4										Varies
4																											
5																											

STANDARD SIGN  
D7-93

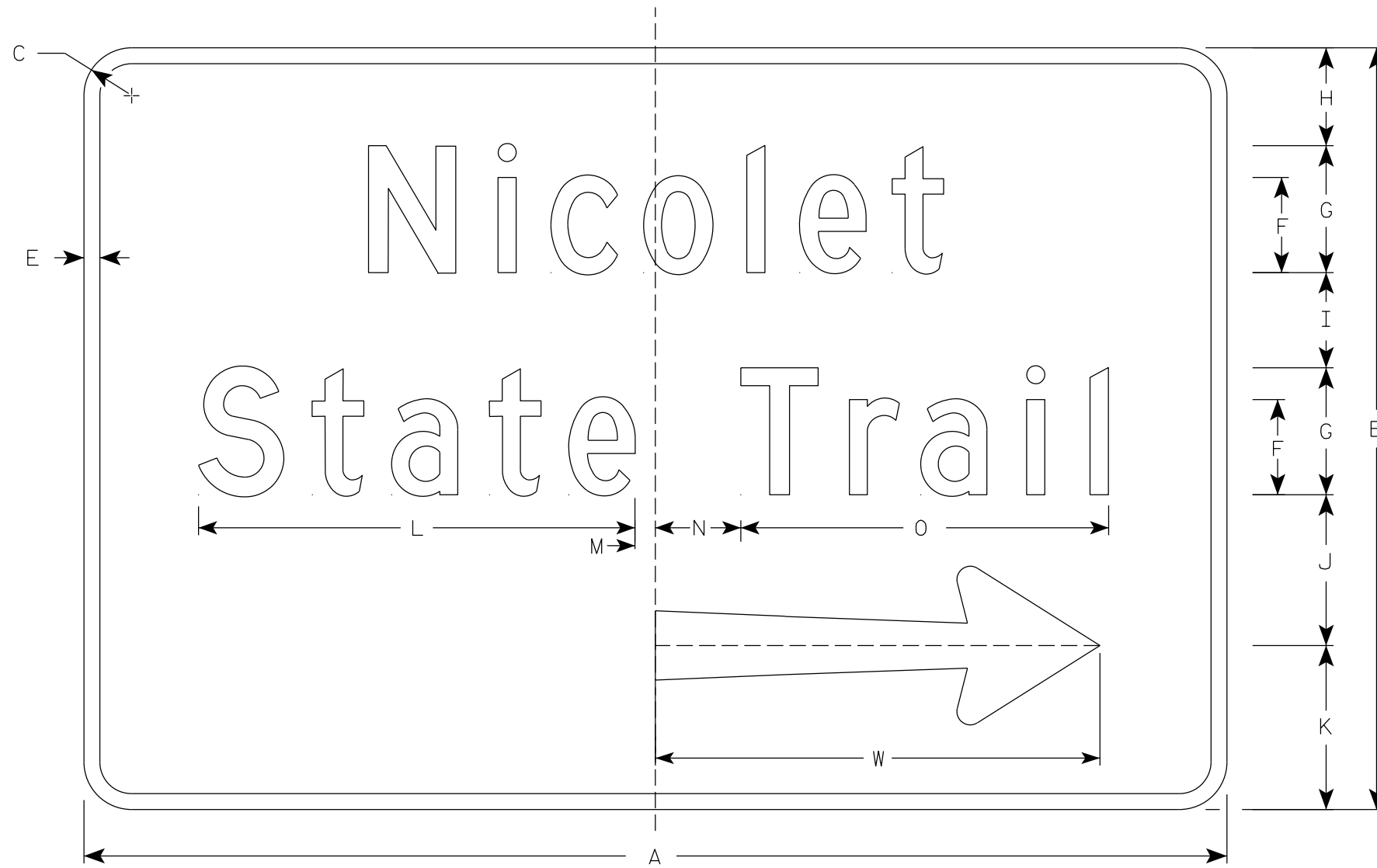
WISCONSIN DEPT OF TRANSPORTATION

APPROVED *Matthew R. Rauch*  
for State Traffic Engineer

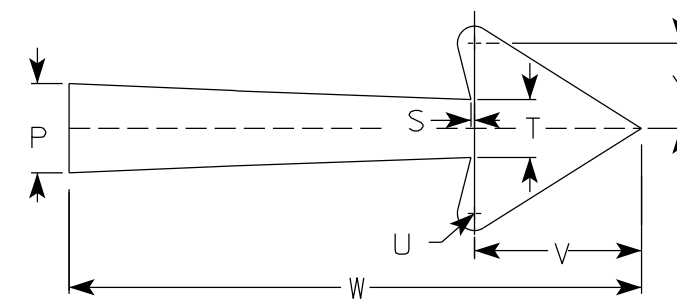
DATE 3/20/19 PLATE NO. D7-93.2

NOTES

1. Sign is Type II - Type H Reflective
2. Color:  
Background - Brown  
Message - White
3. Message Series - D
4. Substitute appropriate name and optically adjust spacing to achieve proper balance. When necessary to accommodate name, lengthen board by 6" increments. Minimum sign width is 54".
5. D7-95L is the same as D7-95R except the arrow is reversed.



D7-95R



Arrow Detail

SIZE	A	B	C	D	E	F	G	H	I	J	K	L	M	N	O	P	Q	R	S	T	U	V	W	X	Y	Z	Area sq. ft.
1																											
2	Varies	36	2 1/4		3/4	4 1/2	6	4 5/8	4 1/2	7 1/8	7 3/4	20 5/8	7/8	4 1/8	17 3/8	3 1/4			1/8	2 1/8	5/8	6 1/8	21		3 1/8		Varies
3	Varies	48	3		1	6	8	6	6	10	10	27 1/2	1 5/8	5 3/8	23 3/4	4 1/4			1/4	2 3/4	3/4	7 7/8	27		4		Varies
4																											
5																											

STANDARD SIGN  
D7-95

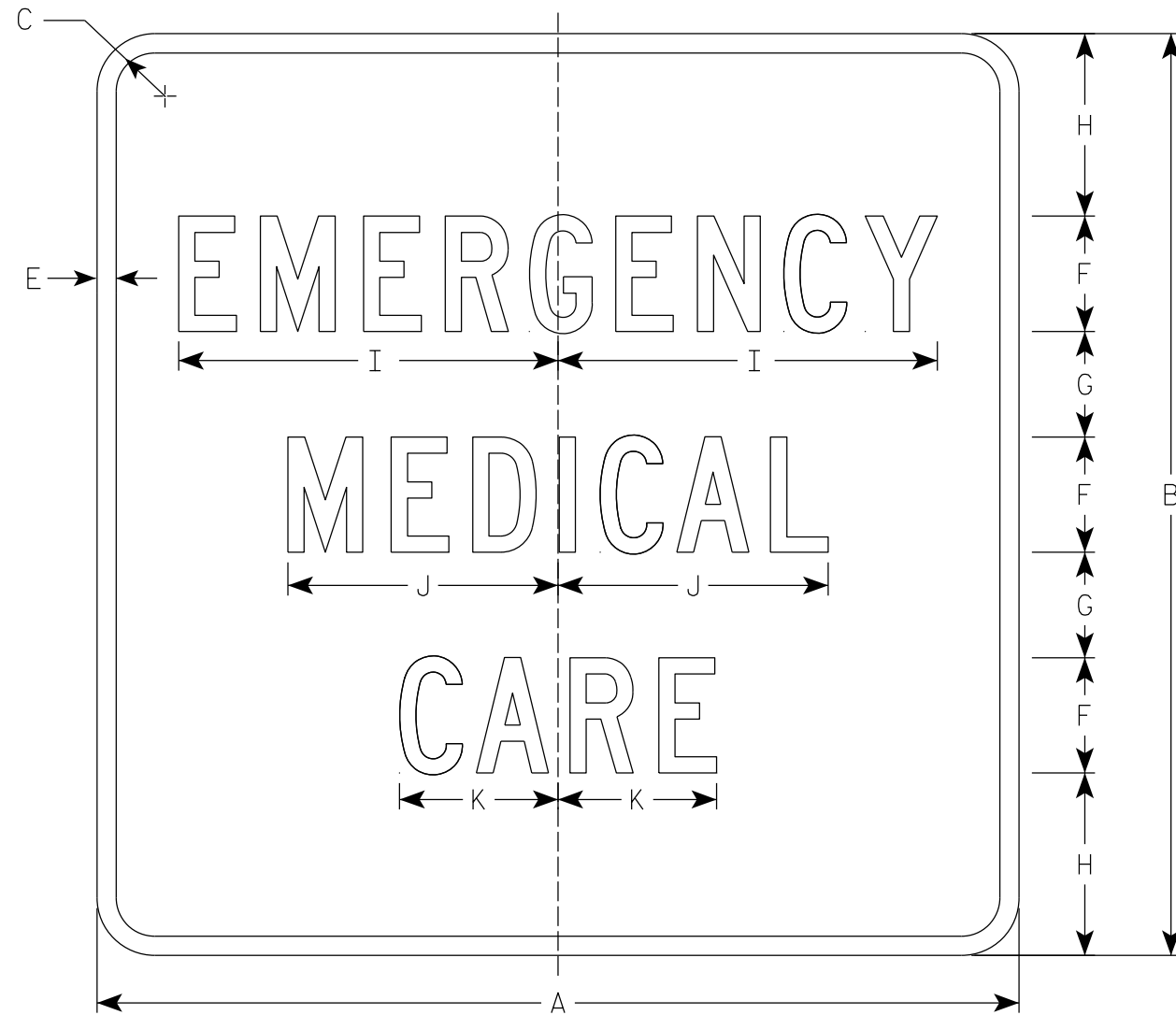
WISCONSIN DEPT OF TRANSPORTATION

APPROVED *Matthew R. Rauch*  
For State Traffic Engineer

DATE 4/8/19 PLATE NO. D7-95.2

NOTES

1. Sign is Type II - Type H Reflective
2. Color:  
Background - Blue  
Message - White
3. Message Series - C



D9-13C

SIZE	A	B	C	D	E	F	G	H	I	J	K	L	M	N	O	P	Q	R	S	T	U	V	W	X	Y	Z	Area sq. ft.
1																											
2	24	24	1 1/8		1/2	3	2 3/4	4 3/4	9 7/8	7	4 1/8																4.0
3	36	36	1 5/8		3/4	5	4	6 1/2	16 1/2	11 3/4	6 7/8																9.0
4																											
5																											

STANDARD SIGN  
D9-13C

WISCONSIN DEPT OF TRANSPORTATION

APPROVED *Matthew R. Rauch*  
for State Traffic Engineer

DATE 3/25/19 PLATE NO. D9-13C.3

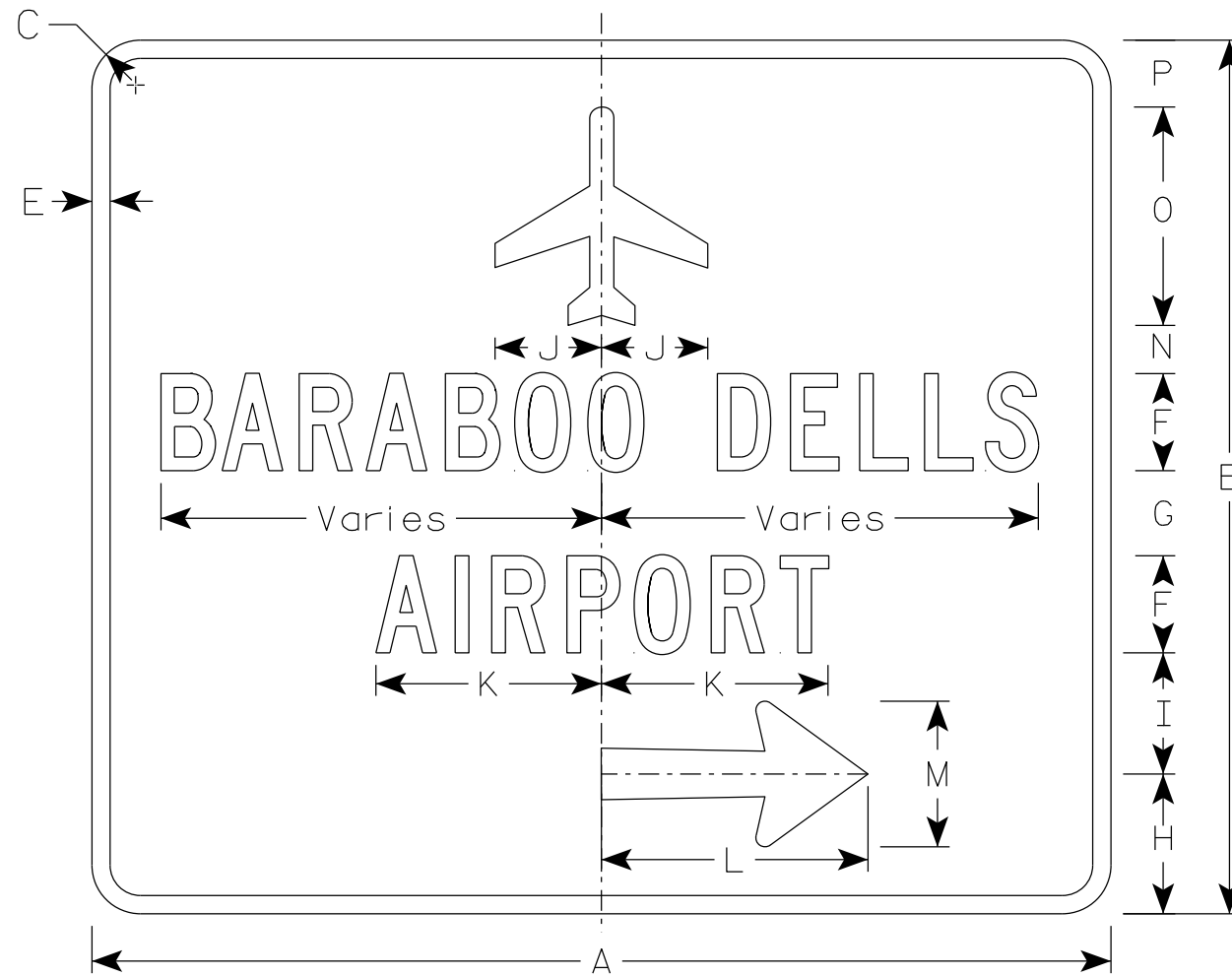
PROJECT NO: \_\_\_\_\_ HWY: \_\_\_\_\_ COUNTY: \_\_\_\_\_ SHEET NO: **E**

7

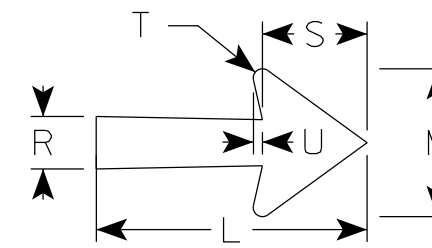
7

NOTES

1. Sign is Type II - Type H Reflective
2. Color:  
Background - Green  
Message - White
3. Message Series - C
4. D9-52L is the same as D9-52R except the arrow is reversed.
5. Substitute appropriate site name and optically adjust spacing as required to achieve proper balance. When necessary to accommodate name, lengthen board by 6" increments. Minimum board width is 36".



D9-52R



Arrow Detail

SIZE	A	B	C	D	E	F	G	H	I	J	K	L	M	N	O	P	Q	R	S	T	U	V	W	X	Y	Z	Area sq. ft.
1																											
2	Varies	36	2 1/4		3/4	4	3 1/2	5 3/4	5	4 3/8	9 1/4	11	6	2	9	2 3/4		2	4 1/4	3/8	3/8						Varies
3	Varies	48	3		1	6	4	7	7	5 7/8	13 7/8	15	8	3	12	3		3	5 3/4	1/2	1/2						Varies
4																											
5																											

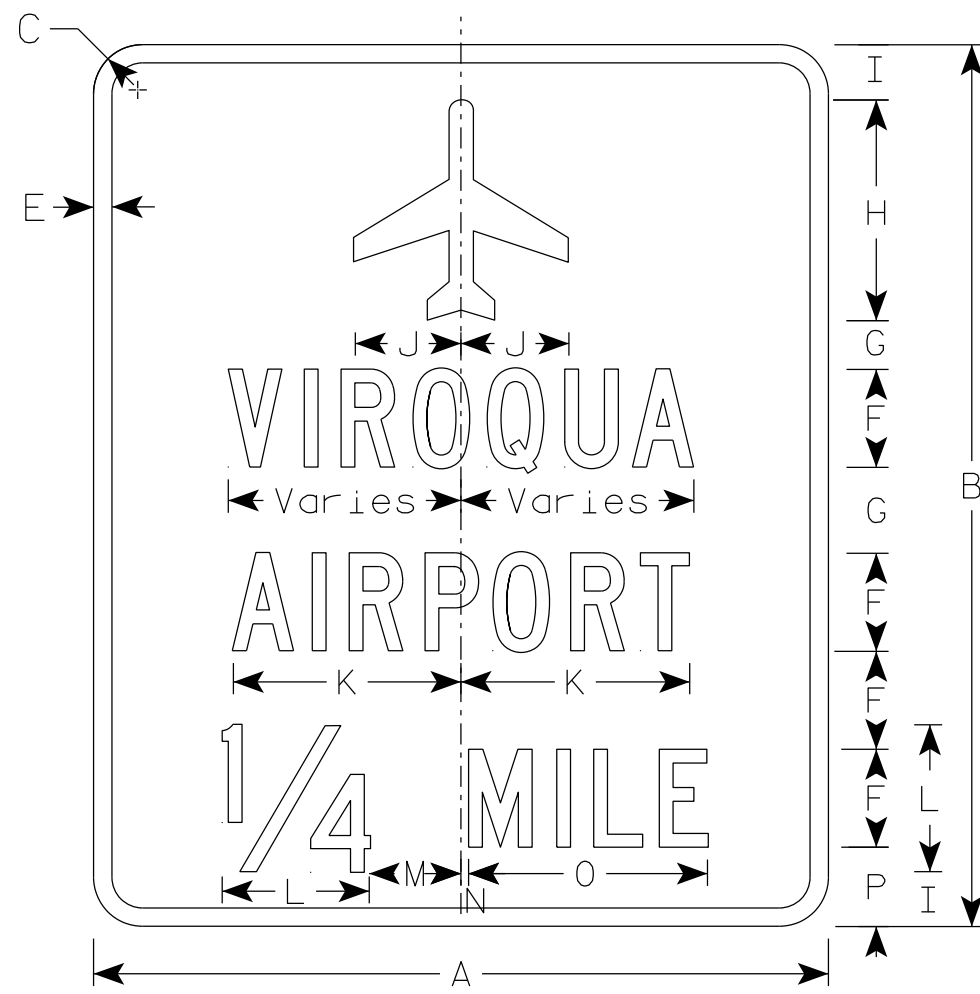
PROJECT NO: \_\_\_\_\_ SHEET NO: **E**

7

7

NOTES

1. Sign is Type II - Type H Reflective
2. Color:  
Background - Green  
Message - White
3. Message Series - C
4. Substitute appropriate site name and optically adjust spacing as required to achieve proper balance. When necessary to accommodate name, lengthen board by 6" increments. Minimum board width is 36".
5. Substitute appropriate numerals and optically adjust spacing as required to achieve proper balance.



7

7

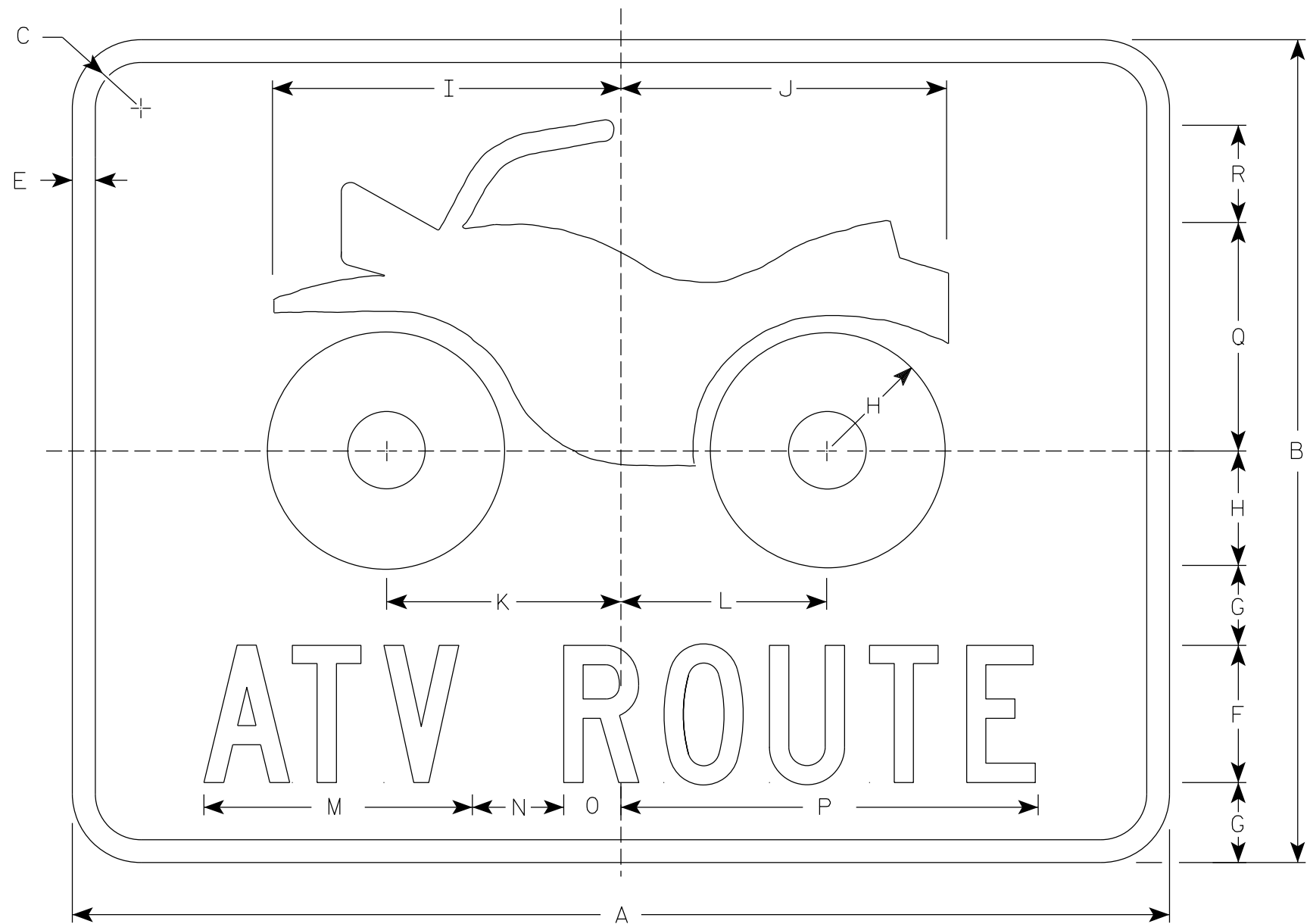
SIZE	A	B	C	D	E	F	G	H	I	J	K	L	M	N	O	P	Q	R	S	T	U	V	W	X	Y	Z	Area sq. ft.
1																											
2	Varies	36	2 1/4		3/4	4	3 1/2	9	2 1/4	4 3/8	9 1/4	6	3 3/4	1/4	9 3/4	3 1/4											Varies
3	Varies	48	3		1	6	4	12	3 1/4	5 7/8	13 7/8	6 3/8	4 1/2	1/2	12 1/8	4 1/4											Varies
4																											
5																											

STANDARD SIGN  
D9-52A

WISCONSIN DEPT OF TRANSPORTATION

APPROVED *Matthew R. Raub*  
For State Traffic Engineer

DATE 7/2/19 PLATE NO. D9-52A.2



- NOTES
1. Sign is Type II - Type H Reflective
  2. Color:  
     Background - Green  
     Message - White
  3. Message Series - C

D11-10

7

7

SIZE	A	B	C	D	E	F	G	H	I	J	K	L	M	N	O	P	Q	R	S	T	U	V	W	X	Y	Z	Area sq. ft.
1																											
2	24	18	1 1/8		1/2	3	1 3/4	2 1/2	7 5/8	7 1/8	5 1/8	5 1/2	5 7/8	2	1 1/4	9 1/8	5	2 1/8									3.0
3																											
4																											
5																											

STANDARD SIGN  
D11-10

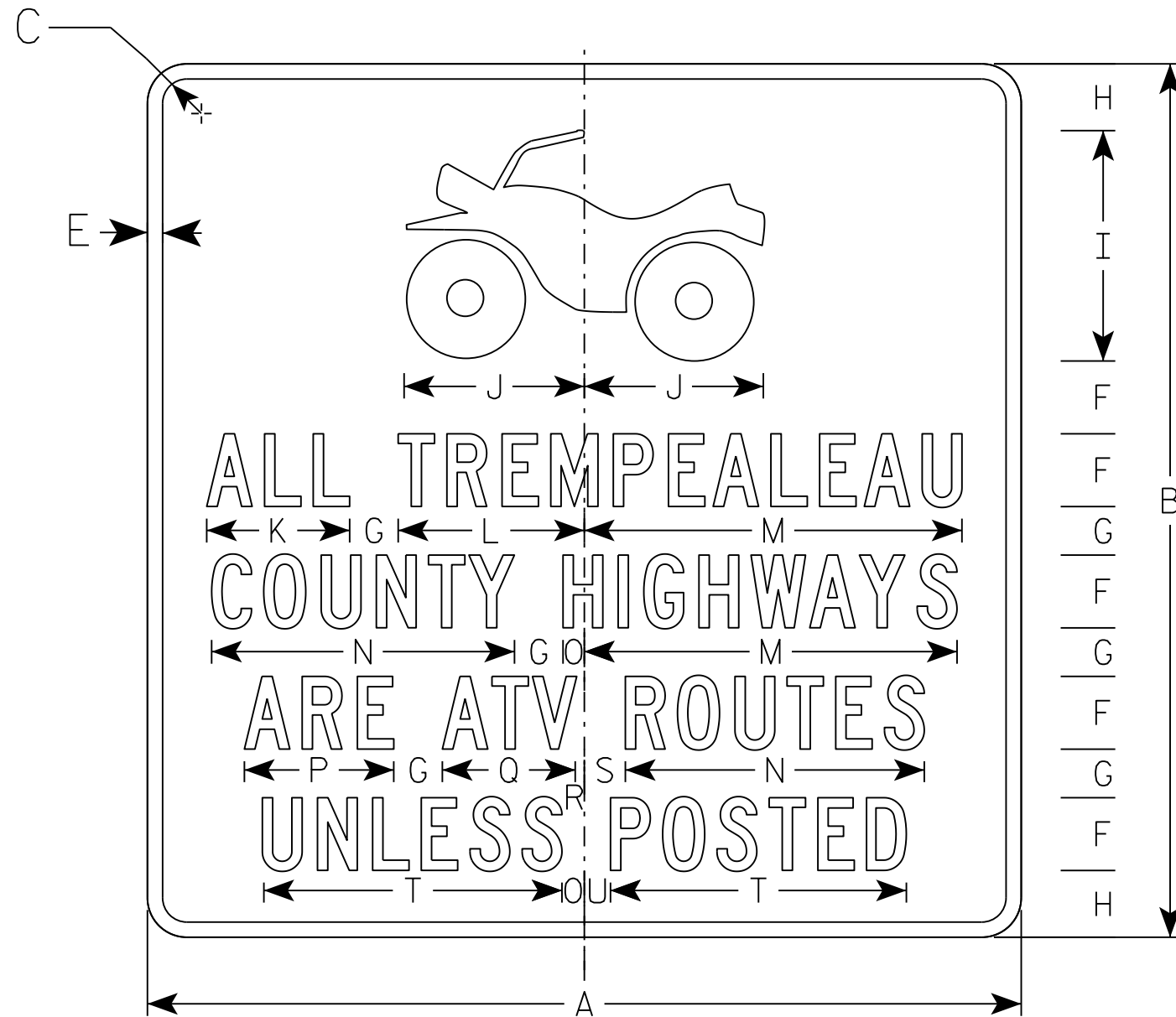
WISCONSIN DEPT OF TRANSPORTATION

APPROVED *Matthew R Rauch*  
for State Traffic Engineer

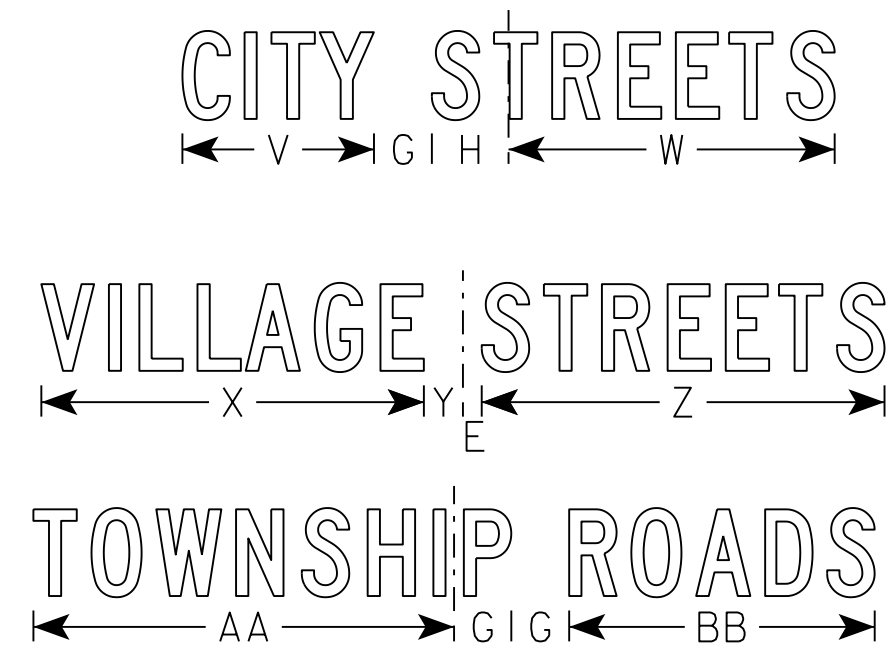
DATE 3/25/19 PLATE NO. D11-10.5

NOTES

1. Sign is Type II - Type H Reflective
2. Color: Background - Green  
Message - White
3. Message Series - C
4. Substitute appropriate county or municipal name and second line message and optically center message



D11-10A



SIZE	A	B	C	D	E	F	G	H	I	J	K	L	M	N	O	P	Q	R	S	T	U	V	W	X	Y	Z	AA	BB	Area sq. ft.
1																													
2S	36	36	1 5/8		5/8	3	2	2 3/4	9 1/2	7 3/8	5 7/8	7 5/8	15 1/2	12 1/2	7/8	6 1/8	5 1/2	1/4	1 3/4	12 1/4	1 1/8	6 5/8	11 1/4	13 1/4	1 3/8	13 7/8	14 1/2	10 1/2	9.0
2M	36	36	1 5/8		5/8	3	2	2 3/4	9 1/2	7 3/8	5 7/8	7 5/8	15 1/2	12 1/2	7/8	6 1/8	5 1/2	1/4	1 3/4	12 1/4	1 1/8	6 5/8	11 1/4	13 1/4	1 3/8	13 7/8	14 1/2	10 1/2	9.0
3																													
4																													
5																													

STANDARD SIGN  
D11-10A

WISCONSIN DEPT OF TRANSPORTATION

APPROVED *Matthew R. Rauch*  
for State Traffic Engineer

DATE 5/16/18 PLATE NO. D11-10A.1

PROJECT NO: \_\_\_\_\_ HWY: \_\_\_\_\_ COUNTY: \_\_\_\_\_ SHEET NO: **E**



NOTES

1. Sign is Type II - Type H Reflective
2. Color:
  - Background - Green
  - Message - White
3. Message Series - B



D11-10P

7

7

SIZE	A	B	C	D	E	F	G	H	I	J	K	L	M	N	O	P	Q	R	S	T	U	V	W	X	Y	Z	Area sq. ft.
1																											
2	24	9	1 1/2		3/8	4	2 1/2	9 7/8																			1.5
3																											
4																											
5																											

STANDARD SIGN  
D11-10P

WISCONSIN DEPT OF TRANSPORTATION

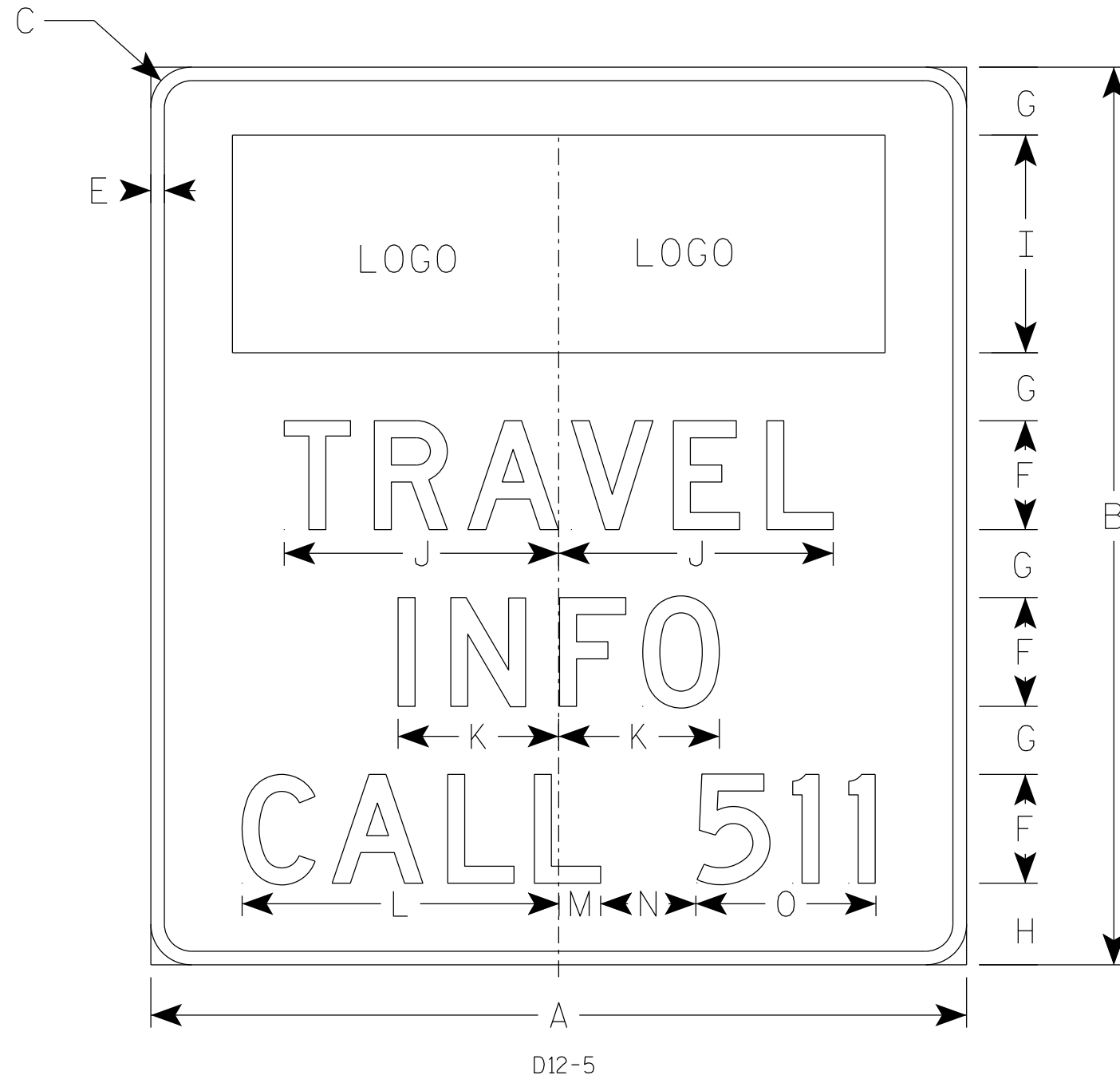
APPROVED *Matthew R. Rauch*  
for State Traffic Engineer

DATE 4/5/18 PLATE NO. D11-10P.1

PROJECT NO: \_\_\_\_\_ HWY: \_\_\_\_\_ COUNTY: \_\_\_\_\_ SHEET NO: **E**

NOTES

1. Sign is Type II - Type H Reflective
2. Color:  
Background - Blue  
Message - White
3. Message Series - D



D12-5

7

7

SIZE	A	B	C	D	E	F	G	H	I	J	K	L	M	N	O	P	Q	R	S	T	U	V	W	X	Y	Z	Area sq. ft.
1																											
2	60	66	2 1/4		1	8	5	6	16	20 1/4	11 7/8	23 3/8	3 1/8	7	13 1/4												27.5
3																											
4																											
5																											

STANDARD SIGN  
D12-5

WISCONSIN DEPT OF TRANSPORTATION

APPROVED *Matthew R. Rauch*  
for State Traffic Engineer

DATE 7/2/19 PLATE NO. D12-5.3

NOTES

1. Sign is Type II - Type H Reflective
2. Color:  
Background - Blue  
Message - White
3. Message Series - B for Line 1  
Series C for Lines 2 & 3
4. Substitute appropriate LOGO which may not exceed 12 inches by 12 inches, see TGM policy 2-4-48.1 for acceptable logos.



D12-50

7

7

SIZE	A	B	C	D	E	F	G	H	I	J	K	L	M	N	O	P	Q	R	S	T	U	V	W	X	Y	Z	Area sq. ft.
1																											
2	36		1 3/8		1/2	4	12	13 1/4	12	2	1 1/4	13 5/8	13														9.0
3																											
4																											
5																											

STANDARD SIGN  
D12-50

WISCONSIN DEPT OF TRANSPORTATION

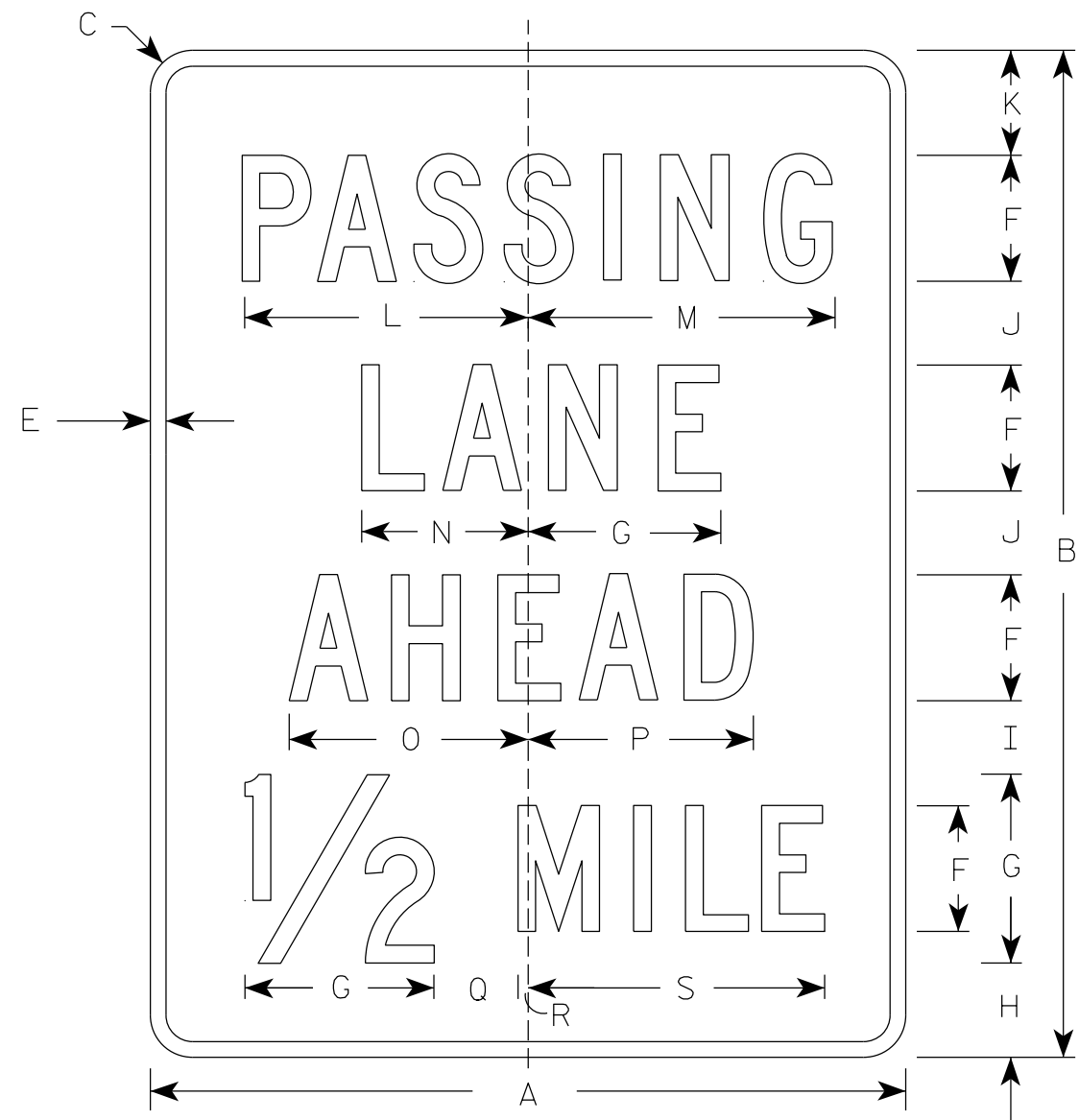
APPROVED *Matthew R. Rauch*  
for State Traffic Engineer

DATE 3/25/19 PLATE NO. D12-50.3

PROJECT NO: \_\_\_\_\_ HWY: \_\_\_\_\_ COUNTY: \_\_\_\_\_ SHEET NO: **E**

NOTES

1. Sign is Type II - Type H Reflective
2. Color:  
Background - Green  
Message - White
3. Message Series - C



D17-2

SIZE	A	B	C	D	E	F	G	H	I	J	K	L	M	N	O	P	Q	R	S	T	U	V	W	X	Y	Z	Area sq. ft.
1																											
2S	36	48	2 1/4		3/4	6	9	4 1/2	3 1/2	4	5	13 5/8	14 1/2	8	11 3/8	10 3/4	4	1/2	14 1/8								12.0
2M	36	48	2 1/4		3/4	6	9	4 1/2	3 1/2	4	5	13 5/8	14 1/2	8	11 3/8	10 3/4	4	1/2	14 1/8								12.0
3																											
4																											
5																											

STANDARD SIGN  
D17-2

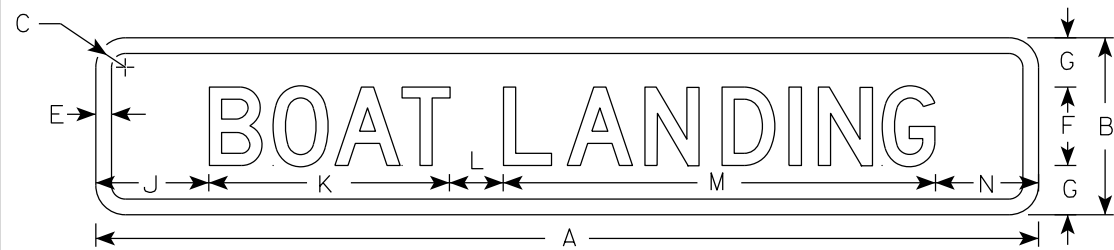
WISCONSIN DEPT OF TRANSPORTATION

APPROVED *Matthew R. Rauch*  
For State Traffic Engineer

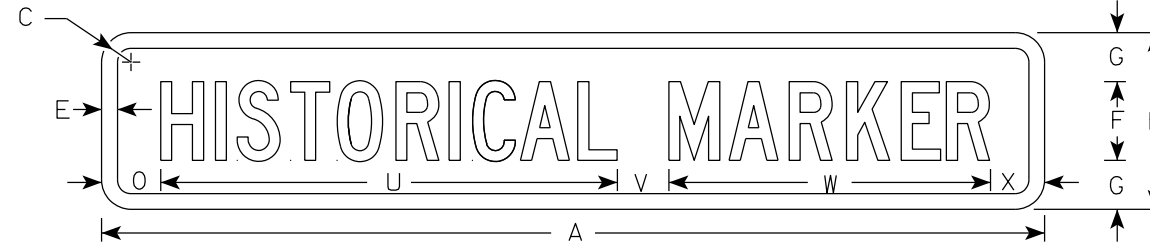
DATE 4/18/2019 PLATE NO. D17-2.1

NOTES

- Signs are Type II - Type H Reflective
- Color:
  - Background - See Note 4
  - Message - White - Type H Reflective
- |         |                    |
|---------|--------------------|
| DB5-69B | } Background BLUE  |
| DB5-69E |                    |
| DB5-69F |                    |
| DB5-69G | } Background GREEN |
| DG5-69B |                    |
| DG5-69G | } Background BROWN |
| DN5-69B |                    |
| DN5-69G |                    |
- Message Series - All signs are Series D except for DB5-69E & DB5-69F which are Series C.



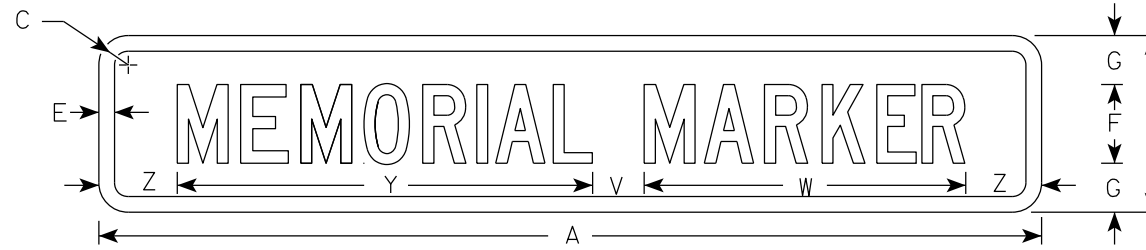
DB5-69B  
DG5-69B  
DN5-69B



DB5-69E



DB5-69G  
DG5-69G  
DN5-69G



DB5-69F

7

7

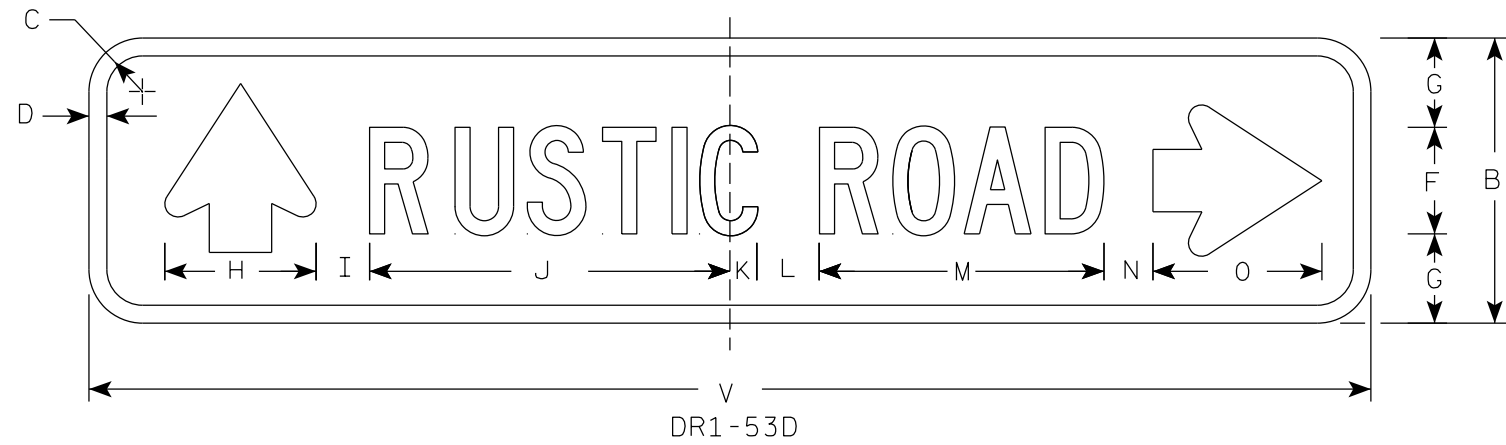
SIZE	A	B	C	D	E	F	G	H	I	J	K	L	M	N	O	P	Q	R	S	T	U	V	W	X	Y	Z	Area sq. ft.
1	48	9	1 1/8		1/2	4	2 1/2	12	24	5 3/4	12 1/4	2 3/4	22	5 1/4	3			4 1/2	19 1/2	4 1/4	23 1/4	2 5/8	16 3/8	2 7/8	21	2	3.0
2	48	9	1 1/8		1/2	4	2 1/2	12	24	5 3/4	12 1/4	2 3/4	22	5 1/4	3			4 1/2	19 1/2	4 1/4	23 1/4	2 5/8	16 3/8	2 7/8	21	2	3.0
3																											
4																											
5																											

STANDARD SIGN  
DB5-69 & DG5-69  
& DN5-69 Series

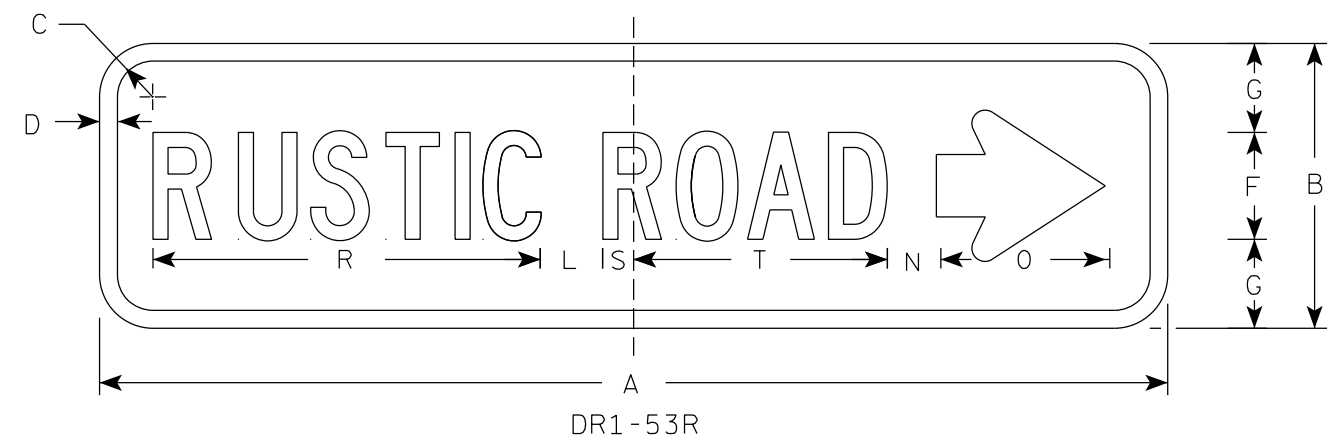
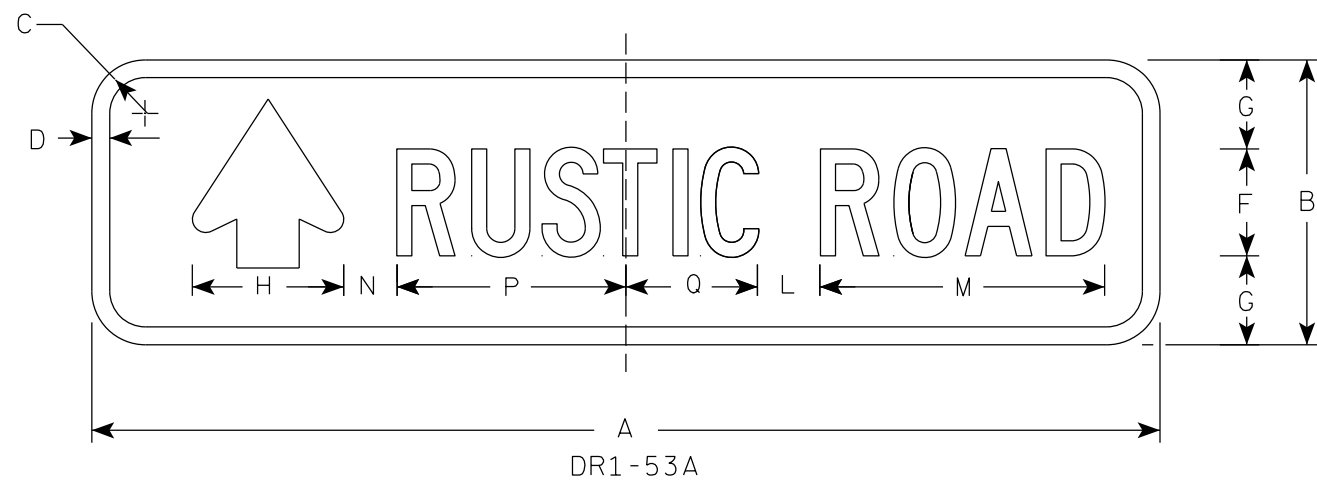
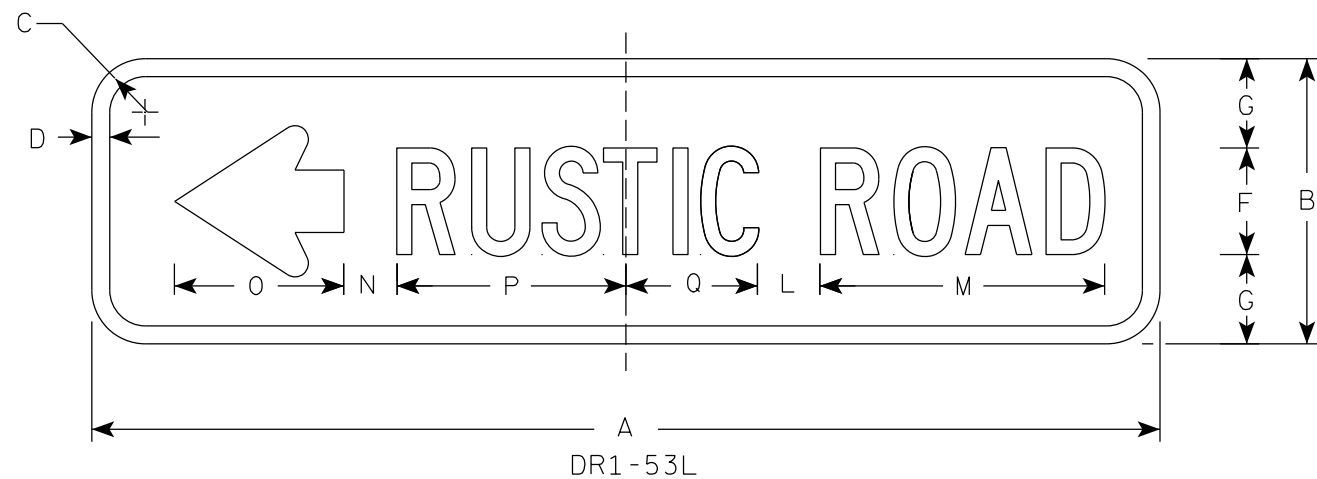
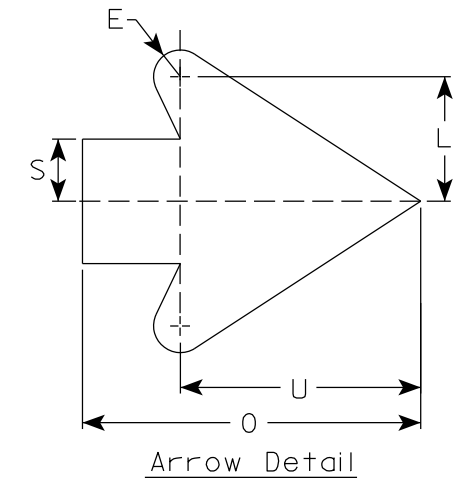
WISCONSIN DEPT OF TRANSPORTATION

APPROVED *Matthew R. Rauch*  
For State Traffic Engineer

DATE 4/18/19 PLATE NO. DB5-69.6



- NOTES
1. Sign is Type II - Type H Reflective
  2. Color:  
Background - Brown  
Message - Yellow
  3. Message Series - C



SIZE	A	B	C	D	E	F	G	H	I	J	K	L	M	N	O	P	Q	R	S	T	U	V	W	X	Y	Z	DR1-53A	DR1-53D	
																											DR1-53L	DR1-53R	Area sq. ft.
1																													
2	30	8	1 1/8	1/2		3	2 1/2	4 1/4	1 1/2	10 1/8	3/4	1 3/4	8	1 3/8	4 3/4	6 3/8	3 3/4	10 7/8	7/8	7 1/8	3 3/8	36					1.67	2.00	
3																													
4																													
5																													

STANDARD SIGN  
DR1-53

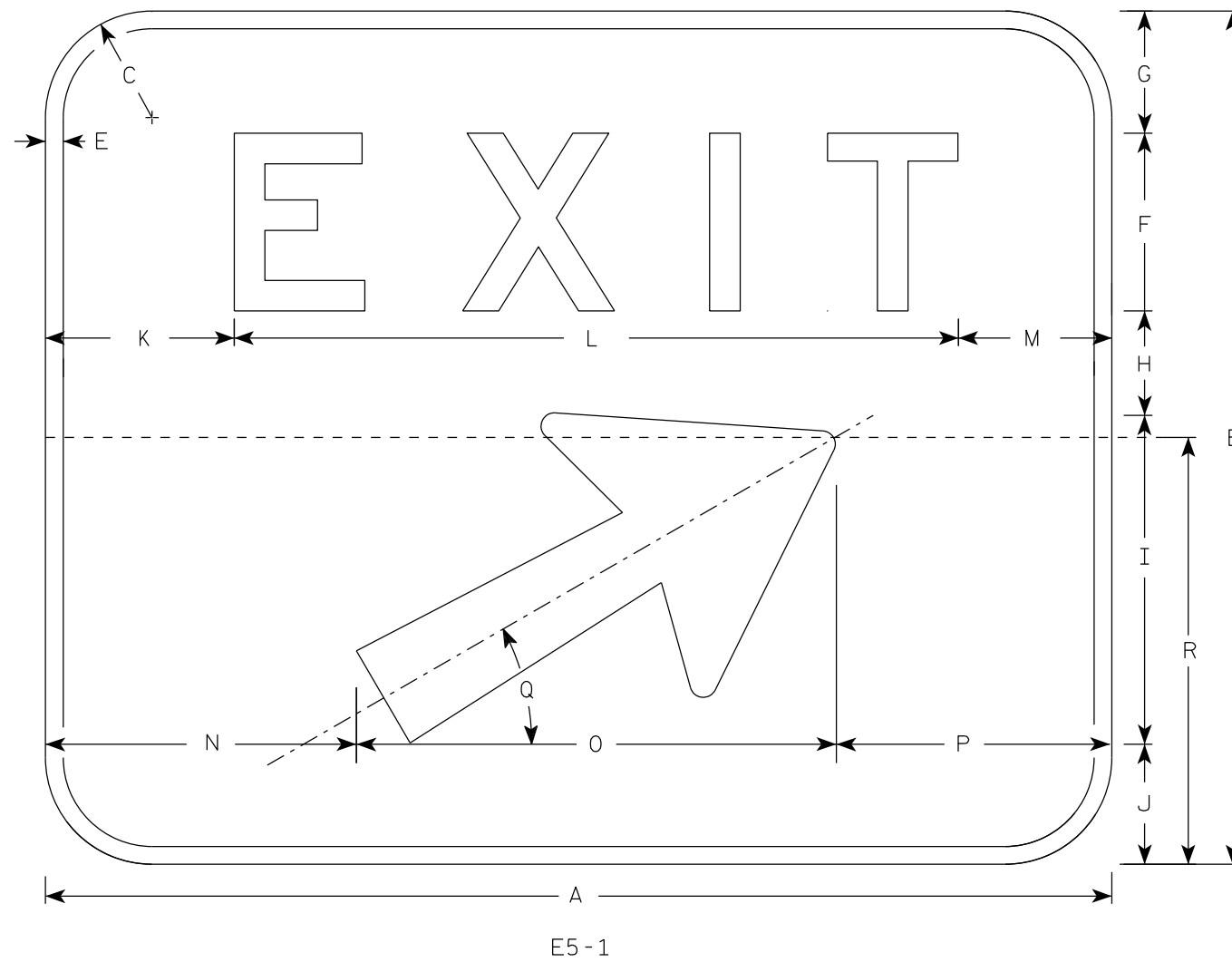
WISCONSIN DEPT OF TRANSPORTATION

APPROVED *Matthew R Rauch*  
For State Traffic Engineer

DATE 4/18/19 PLATE NO. DR1-53.6

NOTES

1. Sign is Type II - Type H reflective
2. Color:  
Background - Green  
Message - White
3. Message Series - E
4. Corners may be square or rounded when base material is plywood but borders shall be rounded as shown. When base material is metal, the corners and borders shall be rounded.
5. When Base material for this sign is plywood sign shall be split into two separate pieces for the 72 x 60 size as shown on the detail by the dashed line (-----).
6. Arrow is Type "A" from sign plate A1-1.
7. As per the Standard Spec's, this sign shall not have a vertical joint.
8. Size 3 E5-1 shall only be used in a Work Zone application with a Temporary Sign Support



7

7

SIZE	A	B	C	D	E	F	G	H	I	J	K	L	M	N	O	P	Q	R	S	T	U	V	W	X	Y	Z	Area sq. ft.
1																											
2																											
3	48	48	6		1	10	6 7/8	5 7/8	18 1/2	6 3/4	8 1/2	31 1/8	8 3/8	11 1/2	27	9 1/2	30°	30									16.0
4	60	48	6		1	10	6 7/8	5 7/8	18 1/2	6 3/4	10 5/8	40 3/4	8 5/8	17 1/2	27	15 1/2	30°	30									20.0
5	72	60	6		1	12	9 3/4	10	18 1/2	9 3/4	13 1/4	48 1/2	10 1/4	23 1/2	27	21 1/2	30°	30									30.0

STANDARD SIGN  
E5-1

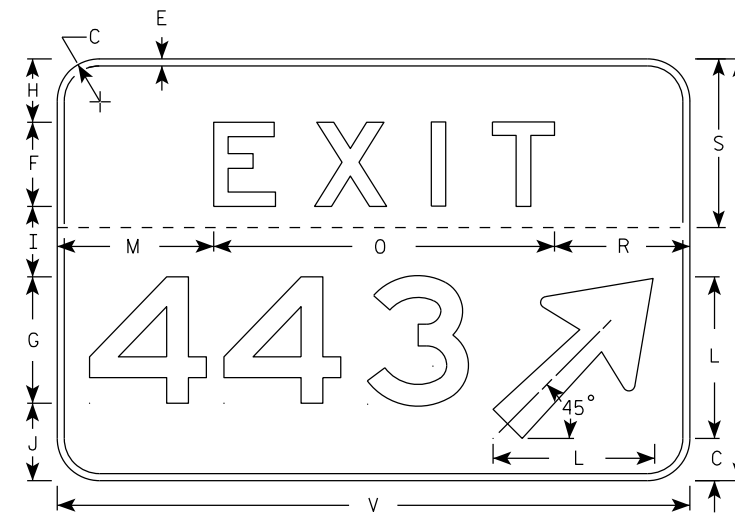
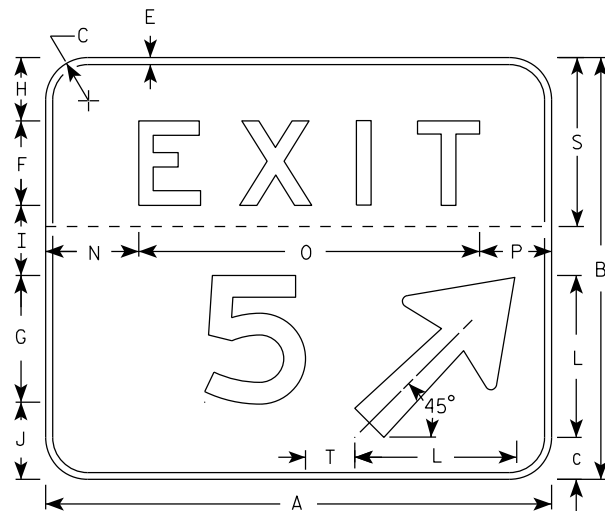
WISCONSIN DEPT OF TRANSPORTATION

APPROVED *Matthew R. Rauch*  
For State Traffic Engineer

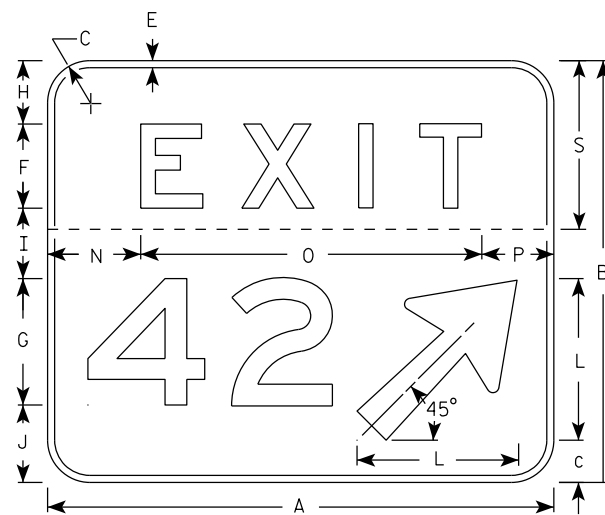
DATE 7/26/18 PLATE NO. E5-1.10

NOTES

1. Sign is Type II - Type H reflective
2. Color:  
Background - Green  
Message - White
3. Message Series - E
4. Corners may be square or rounded but the corners shall be rounded when base material is metal.
5. Sign shall be split into two separate pieces as shown on each detail by the dashed line (-----).
6. Arrow is Type "A" from sign plate A1-1.
7. Substitute appropriate message, space per the table and adjust placement on sign to achieve proper balance.
8. As per the Standard Spec's, these signs shall not have a vertical joint.



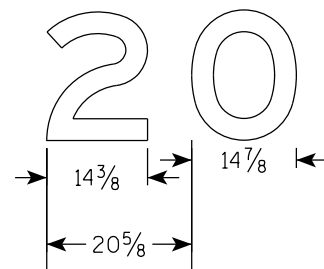
NOTE: T dimension shall be measured from the back of the number to the front of the arrow



SPACING CHART FOR 18" NUMERALS

NUMBERS	WIDTH	0	1	2	3	4	5	6	7	8	9	A	B	C
0	14 7/8	21 5/8	21 5/8	21 1/4	20 3/8	21 1/4	21 1/4	21 5/8	19 7/8	22 1/8	21 5/8			
1	5 7/8	14	14	14	13 1/8	12 1/8	14	14	12 1/4	14	14			
2	14 3/8	20 5/8	21 1/8	20 5/8	19 3/4	20 1/4	20 5/8	20 5/8	18 7/8	21 1/8	20 5/8			
3	14 3/8	20 3/4	21 1/8	20 3/4	20 1/4	19 3/4	20 3/4	20 3/4	19 3/8	21 1/8	20 3/4			
4	16 5/8	22 7/8	22	22 1/2	21 5/8	21 5/8	22 7/8	22 7/8	20 5/8	23 3/8	22 7/8			
5	14 1/4	20 5/8	20 5/8	20 1/8	18 3/4	18 3/4	20 5/8	20 5/8	18 3/8	20 5/8	20 5/8			
6	14 1/2	21 1/4	20 3/4	20 3/4	19 7/8	19 1/2	20 3/8	20 3/4	19	20 3/4	20 3/8			
7	14 3/8	19 3/4	19 3/4	20 1/4	19 3/4	17	19 3/4	20 5/8	18 7/8	20 5/8	19 3/4			
8	14 1/4	21 1/2	21 1/2	20 5/8	19 1/4	19 3/4	20 5/8	21 1/2	19 5/8	21 1/2	20 5/8			
9	14 1/2	21 1/4	21 1/4	20 7/8	20	20 7/8	20 7/8	21 1/4	19 1/2	21 3/4	21 1/4			
A	18	19 3/4	19 3/4	20 1/4	19 3/4	17	19 3/4	20 5/8	18 7/8	20 5/8	19 3/4	21 5/8	23 7/8	23
B	14 1/4	21 1/2	21 1/2	20 5/8	19 1/4	19 3/4	20 5/8	21 1/2	19 5/8	21 1/2	20 5/8	19 1/2	22 3/8	21 1/2
C	14 1/4	21 1/4	21 1/4	20 7/8	20	20 7/8	20 7/8	21 1/4	19 1/2	21 3/4	21 1/4	18 3/8	21	19 3/4

EXAMPLE FOR USING SPACING CHART



SIZE	A	B	C	D	E	F	G	H	I	J	K	L	M	N	O	P	Q	R	S	T	U	V	W	X	Y	Z
2																										
3																										
4																										
5	72	60	6		1	12	18	9	10	11	8 7/8	23	22 1/4	13 1/4	48 1/2	10 1/4		19 1/4	24	7		90		96	7 1/2	

1-2 Digit Bid Area	3 Digit Bid Area
Sq. Ft.	
30	37.5

STANDARD SIGN  
E5-1A

WISCONSIN DEPT OF TRANSPORTATION

APPROVED *Matthew R. Rauch*  
For, State Traffic Engineer

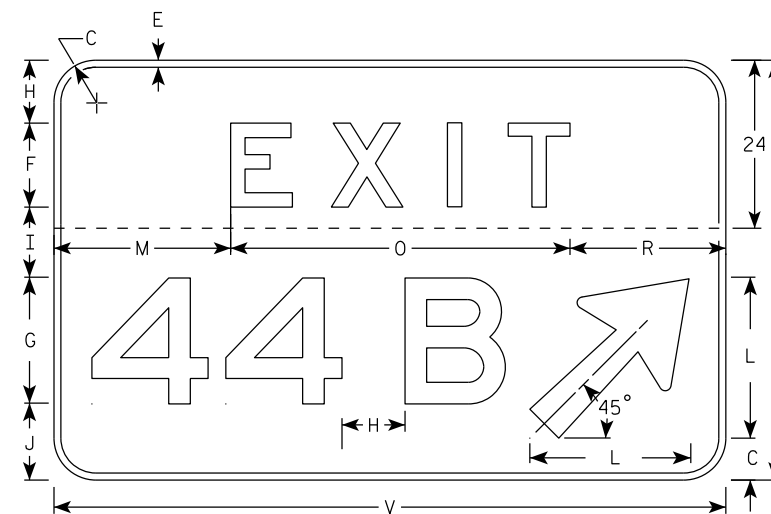
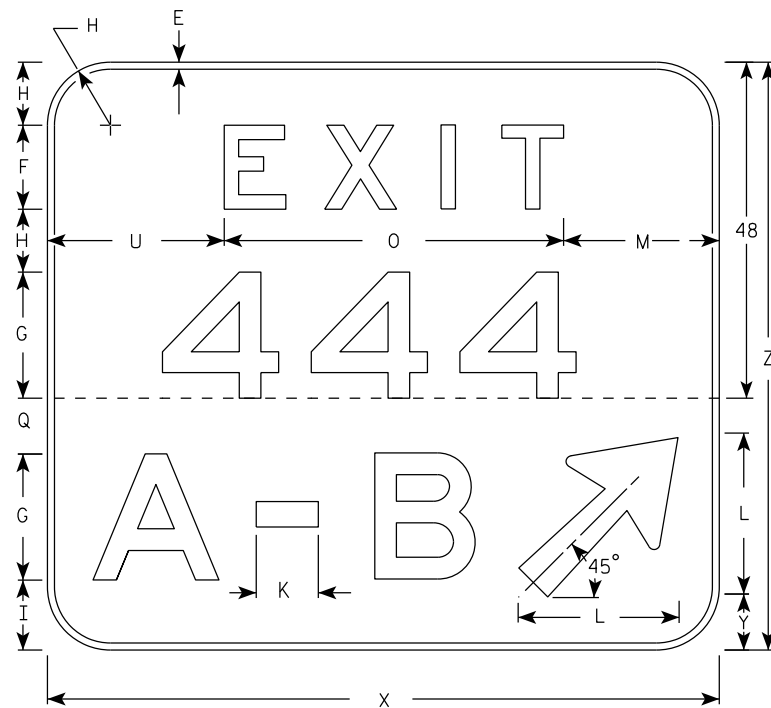
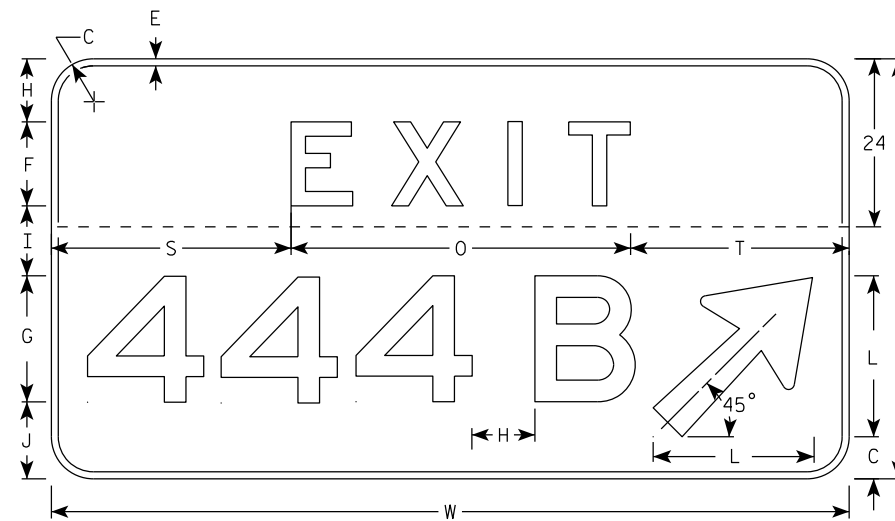
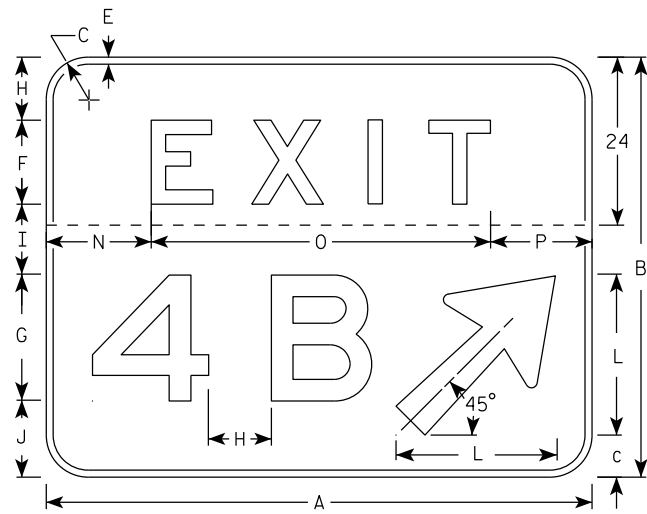
DATE 5/21/19 PLATE NO. E5-1A.13

PROJECT NO: \_\_\_\_\_ HWY: \_\_\_\_\_ COUNTY: \_\_\_\_\_ SHEET NO: **E**



NOTES

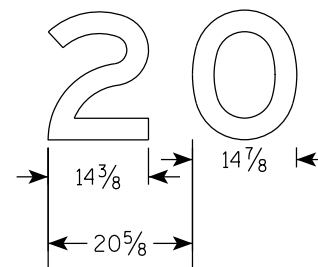
1. Sign is Type II - Type H reflective
2. Color:  
Background - Green  
Message - White
3. Message Series - E
4. Corners may be square or rounded but the corners shall be rounded when base material is metal.
5. Sign shall be split into two separate pieces as shown on each detail by the dashed line (-----).
6. Arrow is Type "A" from sign plate A1-1.
7. Substitute appropriate message, space per the table and adjust placement on sign to achieve proper balance.
8. When two letters are hyphenated, the distance between them should be equal to two letter heights and the hyphen is spaced optically between them.
9. As per the Standard Spec's, these signs shall not have a vertical joint.



SPACING CHART FOR 18" NUMERALS

NUMBERS	WIDTH	0	1	2	3	4	5	6	7	8	9	A	B	C
0	14 7/8	21 5/8	21 5/8	21 1/4	20 3/8	21 1/4	21 1/4	21 5/8	19 7/8	22 1/8	21 5/8	19 7/8	22 1/8	22 1/8
1	5 7/8	14	14	14	13 1/8	12 1/8	14	14	12 1/4	14	14	9 7/8	14	14
2	14 3/8	20 5/8	21 1/8	20 5/8	19 3/4	20 1/4	20 5/8	20 5/8	18 7/8	21 1/8	20 5/8	20 1/4	21 1/8	21 1/8
3	14 3/8	20 3/4	21 1/8	20 3/4	20 1/4	19 3/4	20 3/4	20 3/4	19 3/8	21 1/8	20 3/4	20 1/4	21 1/8	21 1/8
4	16 5/8	22 7/8	22	22 1/2	21 5/8	21 5/8	22 7/8	22 7/8	20 5/8	23 3/8	22 7/8	22 1/2	25 1/2	23 3/8
5	14 1/4	20 5/8	20 5/8	20 1/8	18 3/4	18 3/4	20 5/8	20 5/8	18 3/8	20 5/8	20 5/8	19 1/4	20 5/8	20 5/8
6	14 1/2	21 1/4	20 3/4	20 3/4	19 7/8	19 1/2	20 3/8	20 3/4	19	20 3/4	20 3/8	18	20 3/4	20 3/4
7	14 3/8	19 3/4	19 3/4	20 1/4	19 3/4	17	19 3/4	20 5/8	18 7/8	20 5/8	19 3/4	20 1/4	20 5/8	20 5/8
8	14 1/4	21 1/2	21 1/2	20 5/8	19 1/4	19 3/4	20 5/8	21 1/2	19 5/8	21 1/2	20 5/8	19 1/4	21 1/2	21 1/2
9	14 1/2	21 1/4	21 1/4	20 7/8	20	20 7/8	20 7/8	21 1/4	19 1/2	21 3/4	21 1/4	18	21 3/4	21 3/4
A	18	19 3/4	19 3/4	20 1/4	19 3/4	17	19 3/4	20 5/8	18 7/8	20 5/8	19 3/4	21 5/8	23 7/8	23
B	14 1/4	21 1/2	21 1/2	20 5/8	19 1/4	19 3/4	20 5/8	21 1/2	19 5/8	21 1/2	20 5/8	19 1/2	22 3/8	21 1/2
C	14 1/4	21 1/4	21 1/4	20 7/8	20	20 7/8	20 7/8	21 1/4	19 1/2	21 3/4	21 1/4	18 3/8	21	19 3/4

EXAMPLE FOR USING SPACING CHART



SIZE	A	B	C	D	E	F	G	H	I	J	K	L	M	N	O	P	Q	R	S	T	U	V	W	X	Y	Z
2																										
3																										
4																										
5	78	60	6		1	12	18	9	10	11	8 7/8	23	25 1/4	15	48 1/2	14 1/2	8	22 1/4	34 1/4	31 1/4	25 1/4	96	114	96	7 1/2	84

2 Digit Bid Area	3 Digit Bid Area	4 Digit Bid Area	5 Digit Bid Area
Sq. Ft.			
32.5	40.0	47.5	56.0

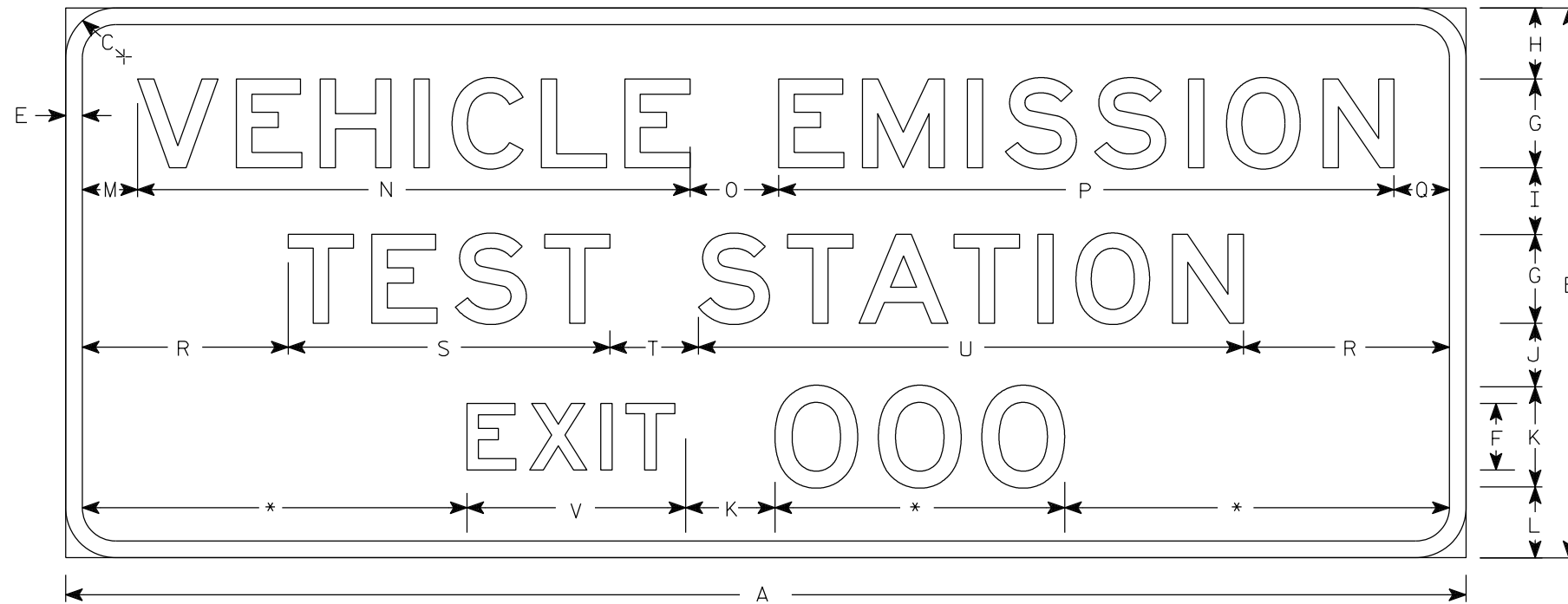
STANDARD SIGN E5-1B

WISCONSIN DEPT OF TRANSPORTATION  
 APPROVED *Matthew R. Rauch*  
 For State Traffic Engineer  
 DATE 7/12/18 PLATE NO. E5-1B.13

PROJECT NO: \_\_\_\_\_ HWY: \_\_\_\_\_ COUNTY: \_\_\_\_\_ SHEET NO: **E**

NOTES

1. Sign is Type I - Type SH Reflective
2. Color:  
Background - Green  
Message - White
3. Message Series - E
4. Substitute appropriate numerals and optically balance the bottom line of copy.



E5-61

\* See note 4

7

7

SIZE	A	B	C	D	E	F	G	H	I	J	K	L	M	N	O	P	Q	R	S	T	U	V	W	X	Y	Z	Area sq. ft.
1																											
2																											
3																											
4	168	66	6		2	8	10 5/8	8 1/2	8	7 5/8	12	8 1/2	8 5/8	66 1/4	10 5/8	73 7/8	8 5/8	26 3/4	38 1/2	10 5/8	65 3/8	25					77.0
5	216	78	9		2	10	13 3/8	9 7/8	10	10	15	9 7/8	13 3/4	82 7/8	13 3/8	92 1/4	13 3/4	36 3/8	48 1/4	13 1/4	81 3/4	31 1/8					117.0

STANDARD SIGN  
E5-61

WISCONSIN DEPT OF TRANSPORTATION

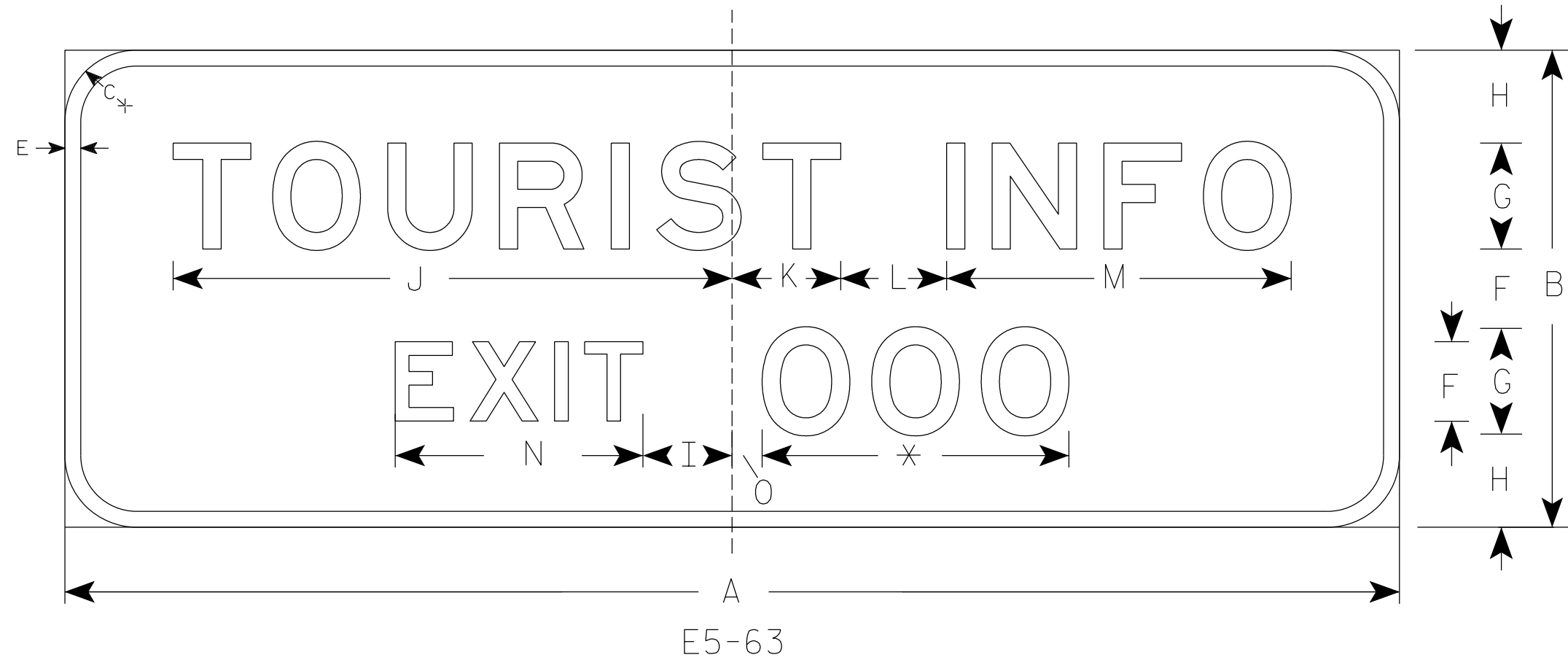
APPROVED  
*Matthew R. Rauch*  
for State Traffic Engineer

DATE 4/25/19 PLATE NO. E5-61.4

PROJECT NO: \_\_\_\_\_ HWY: \_\_\_\_\_ COUNTY: \_\_\_\_\_ SHEET NO: **E**

NOTES

1. Sign is Type I - Type SH Reflective
2. Color:  
Background - Blue  
Message - White
3. Message Series - E



\*Varies

SIZE	A	B	C	D	E	F	G	H	I	J	K	L	M	N	O	P	Q	R	S	T	U	V	W	X	Y	Z	Area sq. ft.
1																											
2																											
3																											
4	168	60	9		2	10	13 3/8	11 5/8	11 1/4	70 3/8	13 5/8	13 3/8	43 3/8	31 1/8	3 3/4												70
5																											

STANDARD SIGN  
E5-63

WISCONSIN DEPT OF TRANSPORTATION

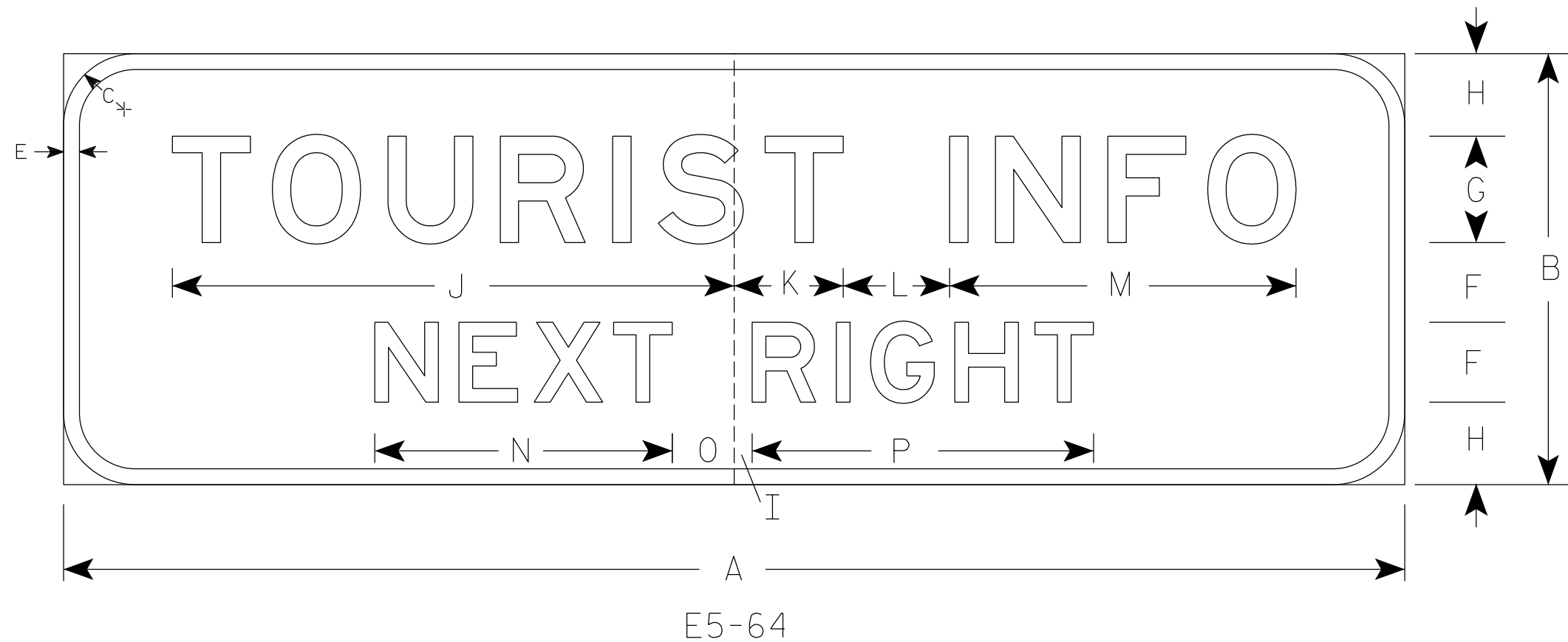
APPROVED *Matthew R. Rauch*  
State Traffic Engineer

DATE 5/21/19 PLATE NO. E5-63.3

PROJECT NO: \_\_\_\_\_ HWY: \_\_\_\_\_ COUNTY: \_\_\_\_\_ SHEET NO: **E**

NOTES

1. Sign is Type I - Type SH Reflective
2. Color:  
Background - Blue  
Message - White
3. Message Series - E Modified Line 1 & Series E for Line 2



7

7

SIZE	A	B	C	D	E	F	G	H	I	J	K	L	M	N	O	P	Q	R	S	T	U	V	W	X	Y	Z	Area sq. ft.
1																											
2																											
3																											
4	168	54	9		2	10	13 1/4	10 3/8	2 1/4	70 3/8	13 5/8	13 3/8	43 3/8	37 1/4	7 3/4	42 3/4											63
5																											

STANDARD SIGN  
E5-64

WISCONSIN DEPT OF TRANSPORTATION

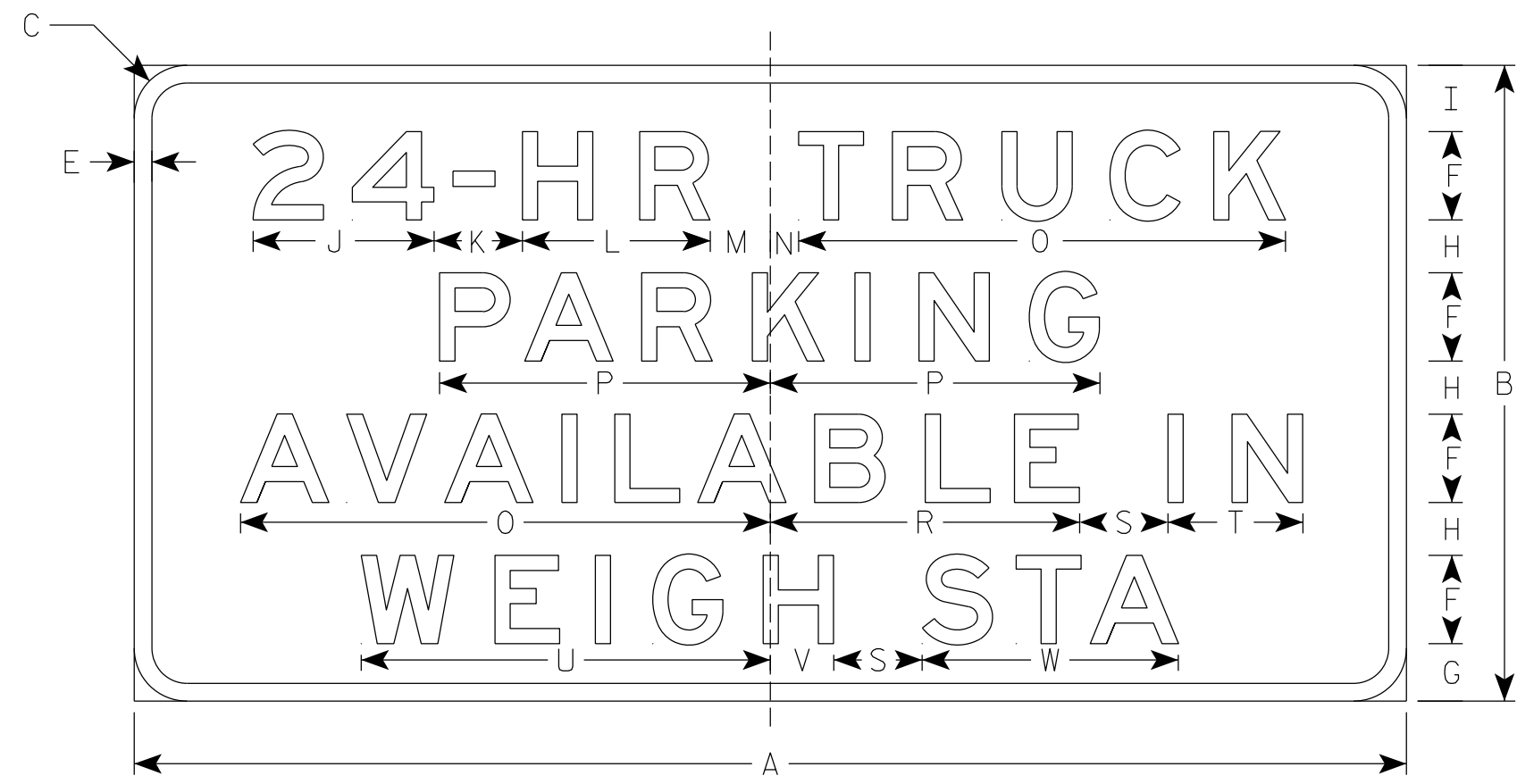
APPROVED *Matthew R Rauch*  
For State Traffic Engineer

DATE 4/29/19 PLATE NO. E5-64.4

PROJECT NO: \_\_\_\_\_ HWY: \_\_\_\_\_ COUNTY: \_\_\_\_\_ SHEET NO: **E**

NOTES

1. All Signs are Type I - Type SH Reflective
2. Color:  
Background - Blue  
Message - White
3. Message Series - E



7

7

SIZE	A	B	C	D	E	F	G	H	I	J	K	L	M	N	O	P	Q	R	S	T	U	V	W	X	Y	Z	Area sq. ft.
1																											
2																											
3																											
4	144	72	6		2	10	6 1/2	6	7 1/2	20 1/2	10	21 1/4	6 3/4	3 1/4	55 1/8	37 3/8	60	35	10	15 1/4	46 1/4	7 1/4	29				72.0
5																											

STANDARD SIGN  
E5-65

WISCONSIN DEPT OF TRANSPORTATION

APPROVED *Matthew R. Rauch*  
for State Traffic Engineer

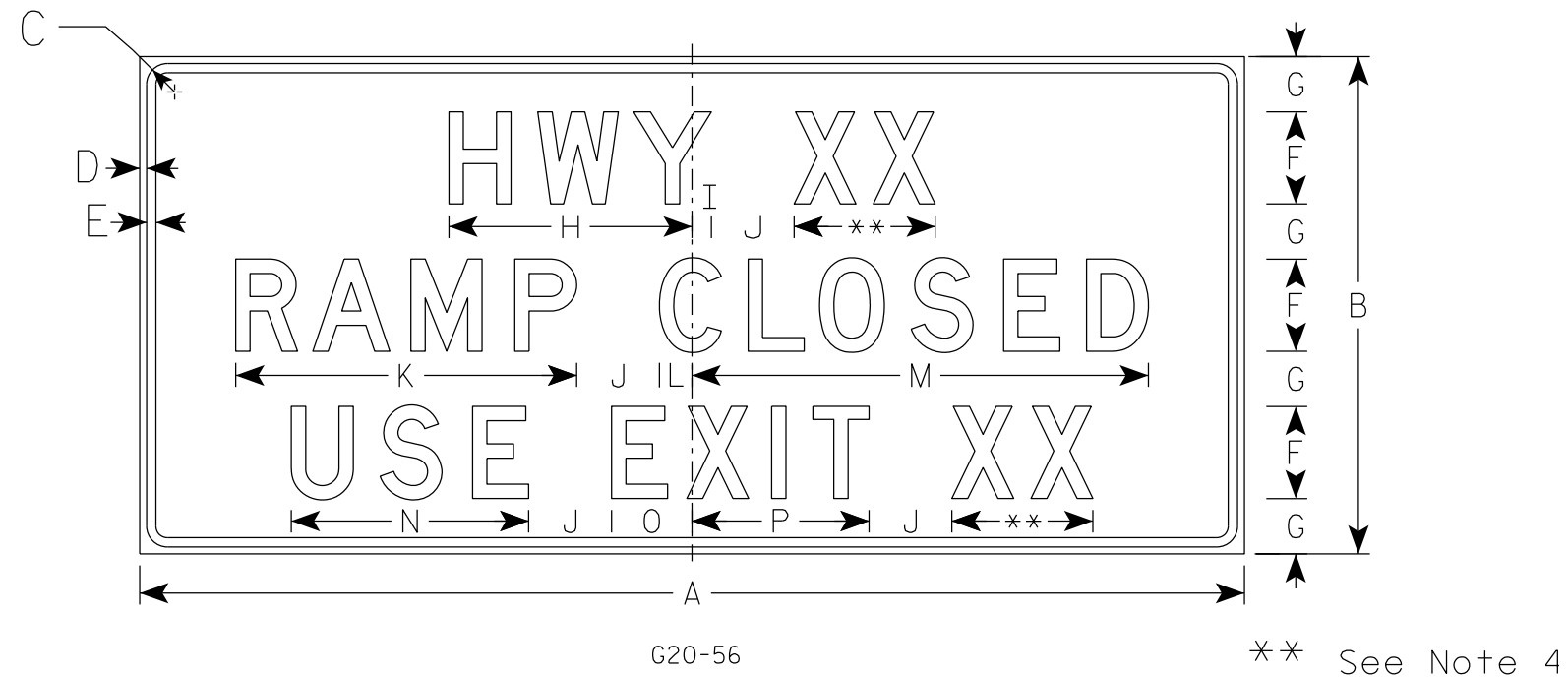
DATE 3/7/19 PLATE NO. E5-65.4

PROJECT NO: \_\_\_\_\_ HWY: \_\_\_\_\_ COUNTY: \_\_\_\_\_ SHEET NO: **E**

FILE NAME : C:\CAEFiles\Projects\tr\_stdplate\E565.DGN PLOT DATE : 07-MAR-2019 PLOT BY : dotc4c PLOT NAME : PLOT SCALE : \$\$. . . . . \$\$. . . . . \$\$. . . . . WISDOT/CADD SHEET 42

NOTES

1. Sign is Type II- Type F Reflective
2. Color:  
Background - Orange  
Message - Black
3. Message Series - D
4. Substitute appropriate Highway Number and Exit Number and optically center message



SIZE	A	B	C	D	E	F	G	H	I	J	K	L	M	N	O	P	Q	R	S	T	U	V	W	X	Y	Z	Area sq. ft.
1																											
2																											
3																											
4	120	54	3	3/4	1	10	6	26 3/8	2 1/8	9	37	3 1/2	49 5/8	25 3/4	8 3/4	19 1/4											45.0
5	120	54	3	3/4	1	10	6	26 3/8	2 1/8	9	37	3 1/2	49 5/8	25 3/4	8 3/4	19 1/4											45.0

STANDARD SIGN  
G20-56

WISCONSIN DEPT OF TRANSPORTATION

APPROVED *Matthew R. Rauch*  
for State Traffic Engineer

DATE 6/19/18 PLATE NO. G20-56.1

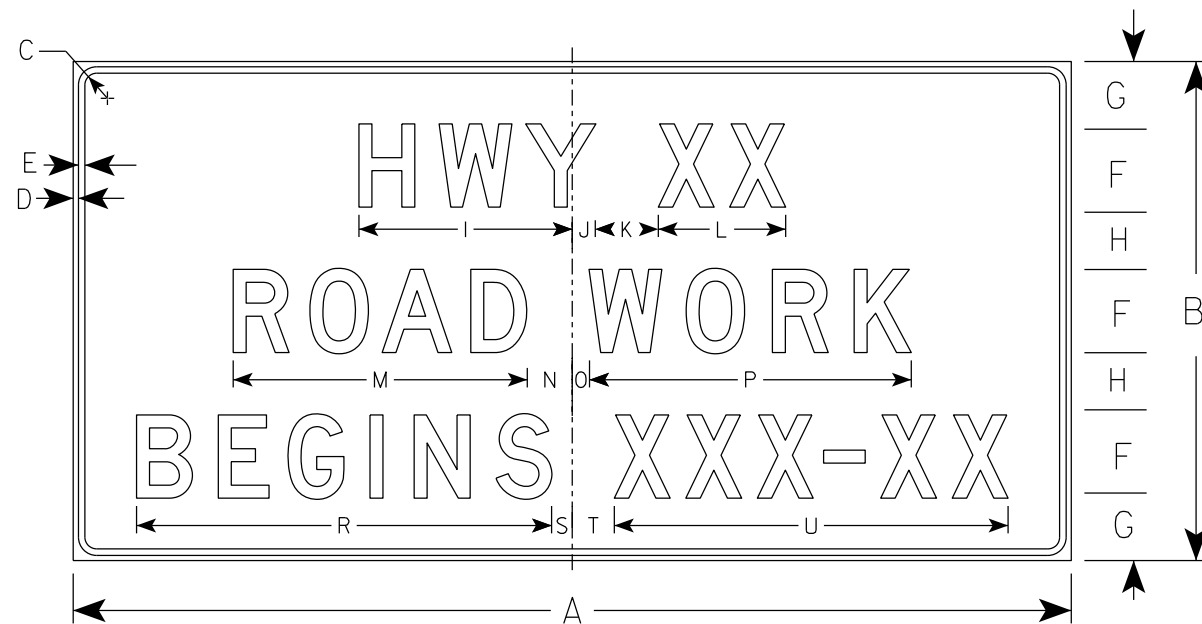
PROJECT NO: \_\_\_\_\_ HWY: \_\_\_\_\_ COUNTY: \_\_\_\_\_ SHEET NO: **E**

7

7

NOTES

1. Sign is Type II - Type F Reflective
2. Color:  
Background - Orange  
Message - Black
3. Message Series - D
4. Substitute appropriate numeral and adjust spacing to achieve proper balance.



G20-57

7

7

SIZE	A	B	C	D	E	F	G	H	I	J	K	L	M	N	O	P	Q	R	S	T	U	V	W	X	Y	Z	Area sq. ft.
1																											
2																											
3	72	36	1 1/8	1/2	5/8	6	5	4	15 5/8	1 5/8	5	9 1/4	21 1/4	3 1/2	1 1/2	23 1/4		29 7/8	1 3/4	3 1/4	28 1/2						18.0
4	96	48	2 1/4	3/4	1	8	6 1/2	5 1/2	20 5/8	2 1/4	6	12 1/4	28 1/4	4 3/8	1 5/8	31		39 1/4	2	4	37 7/8						32.0
5																											

STANDARD SIGN  
G20-57

WISCONSIN DEPT OF TRANSPORTATION

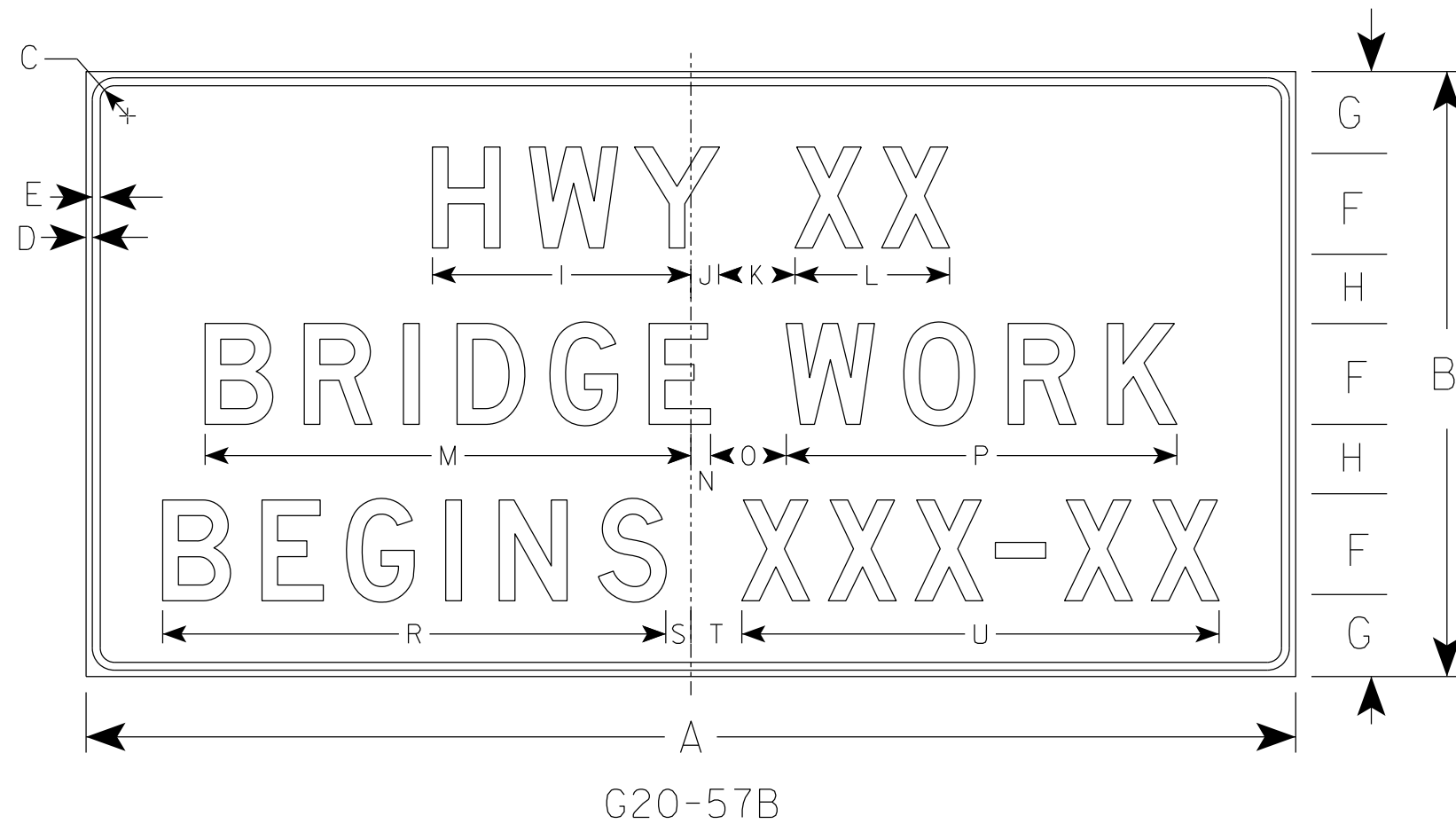
APPROVED *Matthew R Rauch*  
For State Traffic Engineer

DATE 1/22/19 PLATE NO. G20-57.3

PROJECT NO: \_\_\_\_\_ HWY: \_\_\_\_\_ COUNTY: \_\_\_\_\_ SHEET NO: **E**

NOTES

1. Sign is Type II - Type F Reflective
2. Color:  
Background - Orange  
Message - Black
3. Message Series - D
4. Substitute appropriate numeral and adjust spacing to achieve proper balance.



7

7

SIZE	A	B	C	D	E	F	G	H	I	J	K	L	M	N	O	P	Q	R	S	T	U	V	W	X	Y	Z	Area sq. ft.
1																											
2																											
3	72	36	1 1/8	1/2	5/8	6	5	4	15 5/8	1 5/8	5	9 1/4	29 1/8	7/8	5	23 1/4		29 7/8	1 3/4	3 1/4	28 1/2						18.0
4	96	48	2 1/4	3/4	1	8	6 1/2	5 1/2	20 5/8	2 1/4	6	12 1/4	38 1/2	1 1/2	6	31		39 1/4	2	4	37 7/8						32.0
5																											

STANDARD SIGN  
G20-57B

WISCONSIN DEPT OF TRANSPORTATION

APPROVED *Matthew R. Raub*  
for State Traffic Engineer

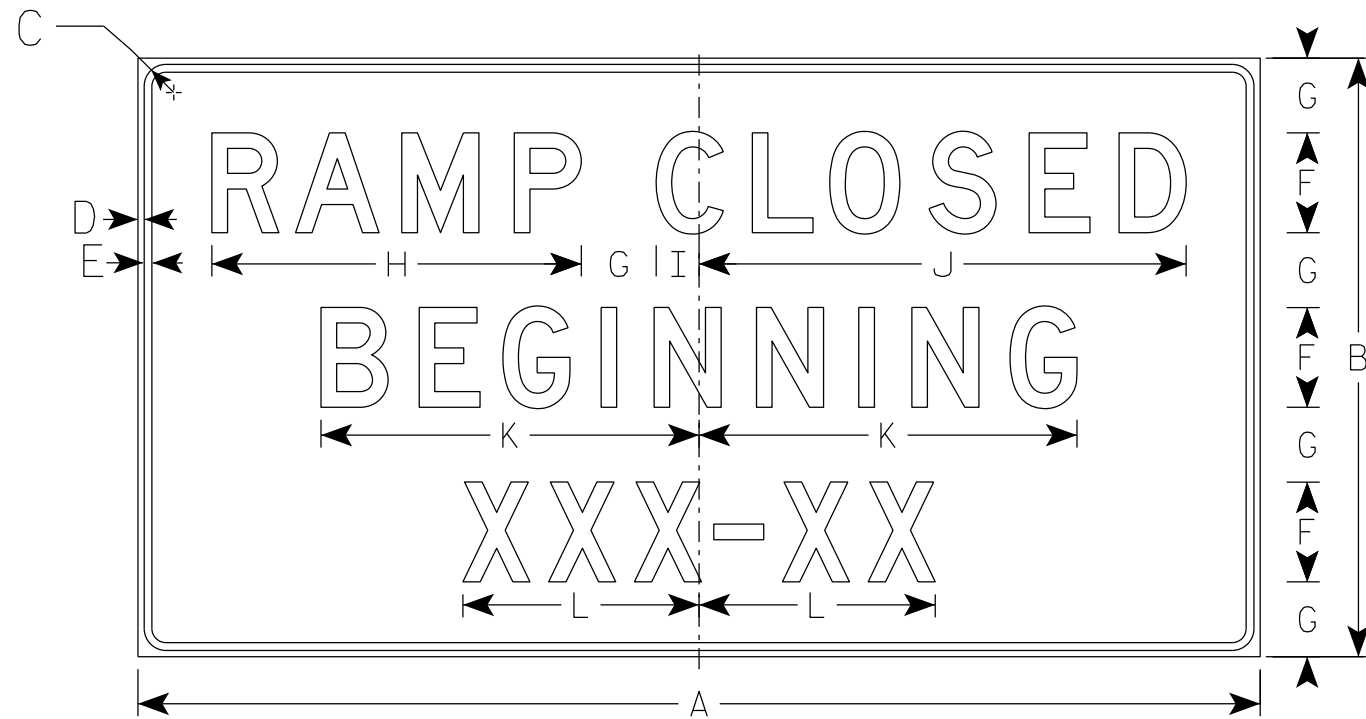
DATE 1/22/19 PLATE NO. G20-57B.1

PROJECT NO: \_\_\_\_\_ HWY: \_\_\_\_\_ COUNTY: \_\_\_\_\_ SHEET NO: **E**



NOTES

1. Sign is Type II- Type F Reflective
2. Color:  
Background - Orange  
Message - Black
3. Message Series - D



G20-58

SIZE	A	B	C	D	E	F	G	H	I	J	K	L	M	N	O	P	Q	R	S	T	U	V	W	X	Y	Z	Area sq. ft.
1																											
2	72	36	3	1 5/8	5/8	6	5	22 1/4	2 3/8	29 1/2	22 3/4	14 1/4															18.0
3	90	48	3	1 5/8	5/8	8	6	29 5/8	3 3/8	39	30 3/8	19															30.0
4																											
5																											

STANDARD SIGN

G20-58

WISCONSIN DEPT OF TRANSPORTATION

APPROVED

*Matthew R. Rauch*  
for State Traffic Engineer

DATE 6/19/18

PLATE NO. G20-58.1

PROJECT NO:

HWY:

COUNTY:

SHEET NO:

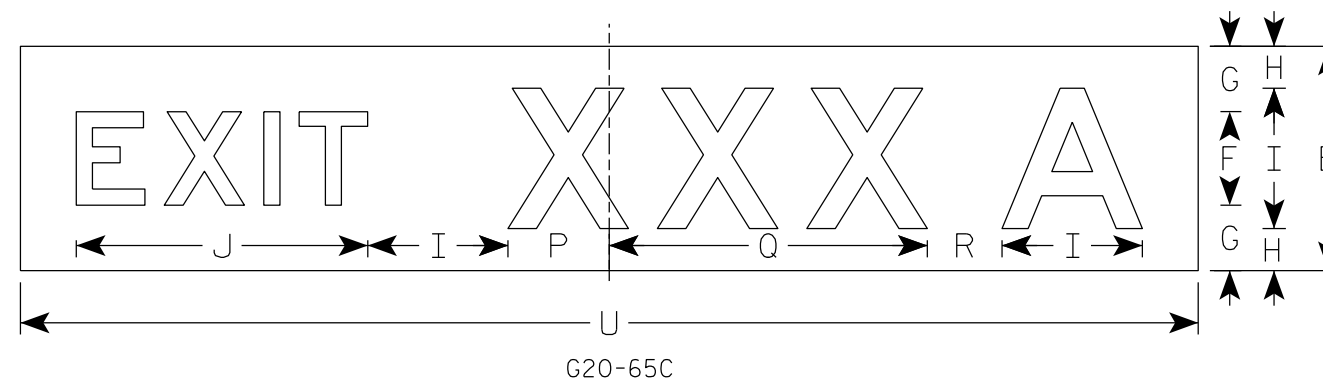
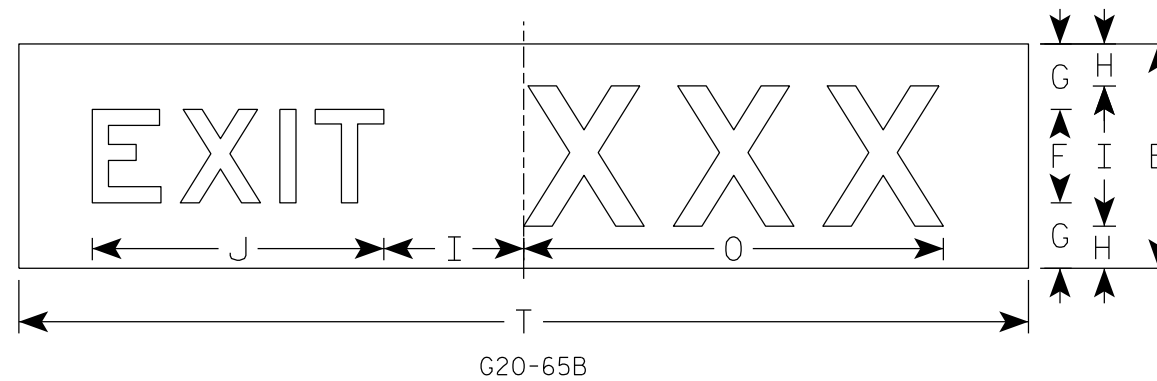
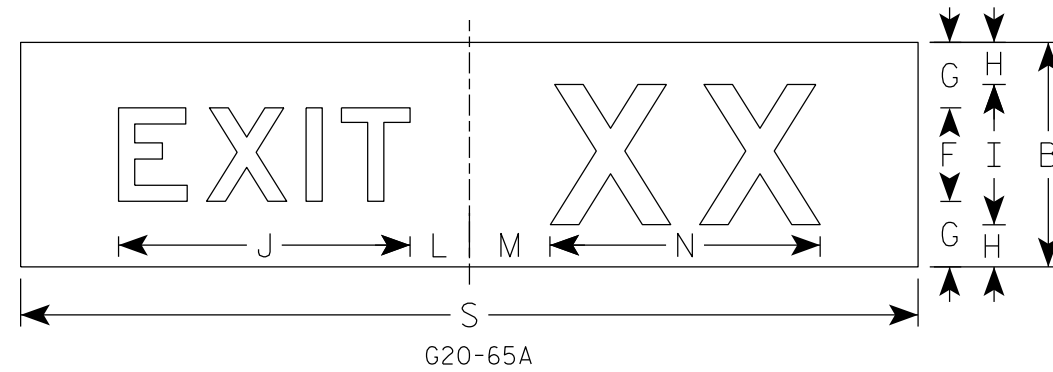
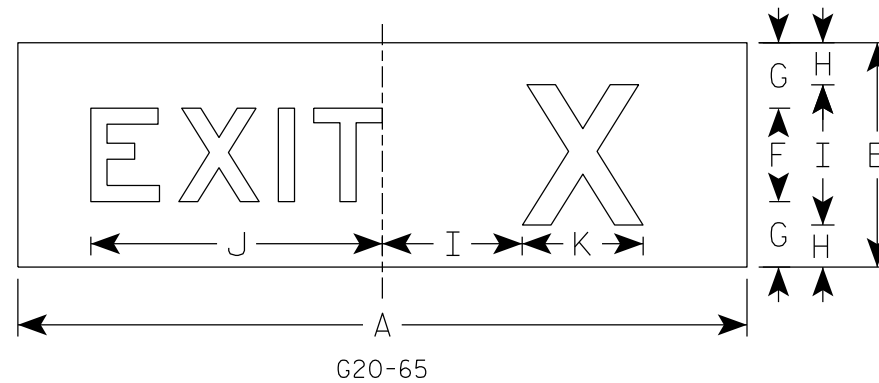
E

7

7

NOTES

1. Sign is Type II- Type F Reflective
2. Color:  
Background - Orange  
Message - Black
3. Message Series - E
4. Material shall be .040" aluminum
5. Substitute appropriate numeral or letter and optically center message



SIZE	A	B	C	D	E	F	G	H	I	J	K	L	M	N	O	P	Q	R	S	T	U	V	W	G20-65 Area sq. ft.	G20-65A Area sq. ft.	G20-65B Area sq. ft.	G20-65C Area sq. ft.		
1																													
2																													
3																													
4	78	24				10	7	4 1/2	15	31 1/8	12 7/8	6 3/8	8 5/8	28 7/8	44 7/8	10 7/8	34	8	96	108	126					13.0	16.0	18.0	21.0
5	78	24				10	7	4 1/2	15	31 1/8	12 7/8	6 3/8	8 5/8	28 7/8	44 7/8	10 7/8	34	8	96	108	126					13.0	16.0	18.0	21.0

STANDARD SIGN  
G20-65

WISCONSIN DEPT OF TRANSPORTATION

APPROVED *Matthew R. Rauch*  
for State Traffic Engineer

DATE 10/30/18 PLATE NO. G20-65.1

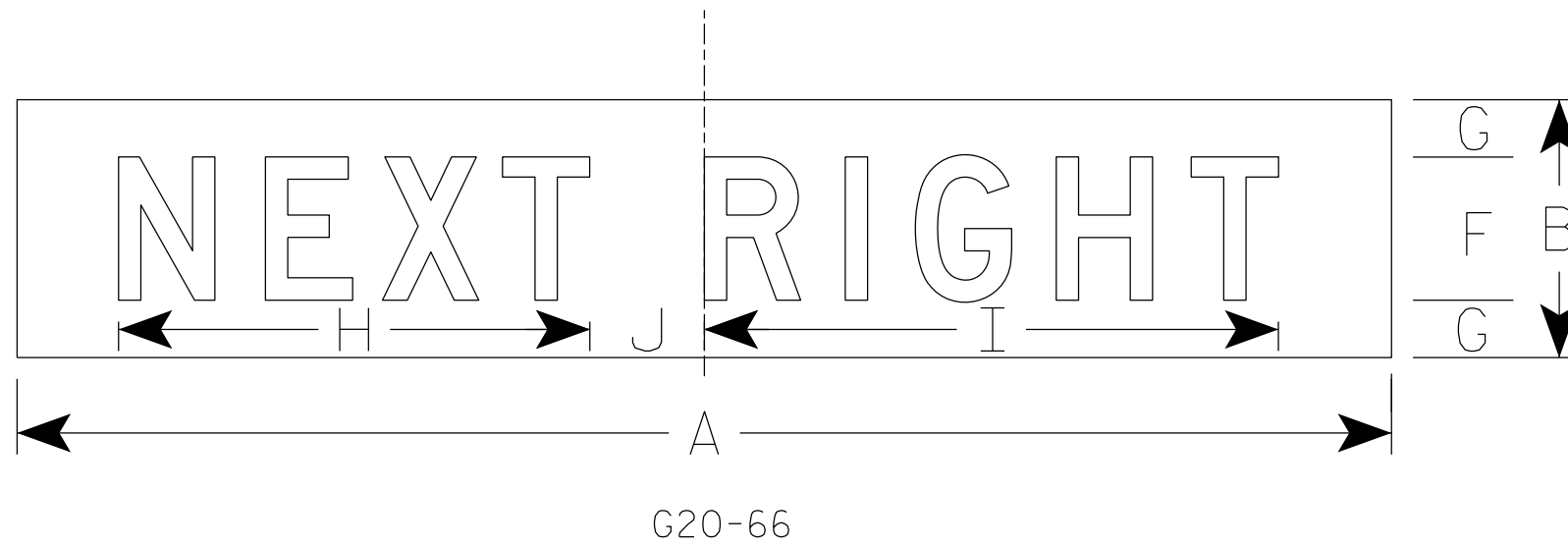
PROJECT NO: \_\_\_\_\_ HWY: \_\_\_\_\_ COUNTY: \_\_\_\_\_ SHEET NO: **E**

7

7

NOTES

1. Sign is Type II- Type F Reflective
2. Color:  
Background - Orange  
Message - Black
3. Message Series - D
4. Material shall be .040 aluminum



7

7

SIZE	A	B	C	D	E	F	G	H	I	J	K	L	M	N	O	P	Q	R	S	T	U	V	W	X	Y	Z	Area sq. ft.
1																											
2																											
3																											
4	96	18				10	4	32 7/8	40 1/8	8																	12.0
5																											

STANDARD SIGN  
G20-66

WISCONSIN DEPT OF TRANSPORTATION

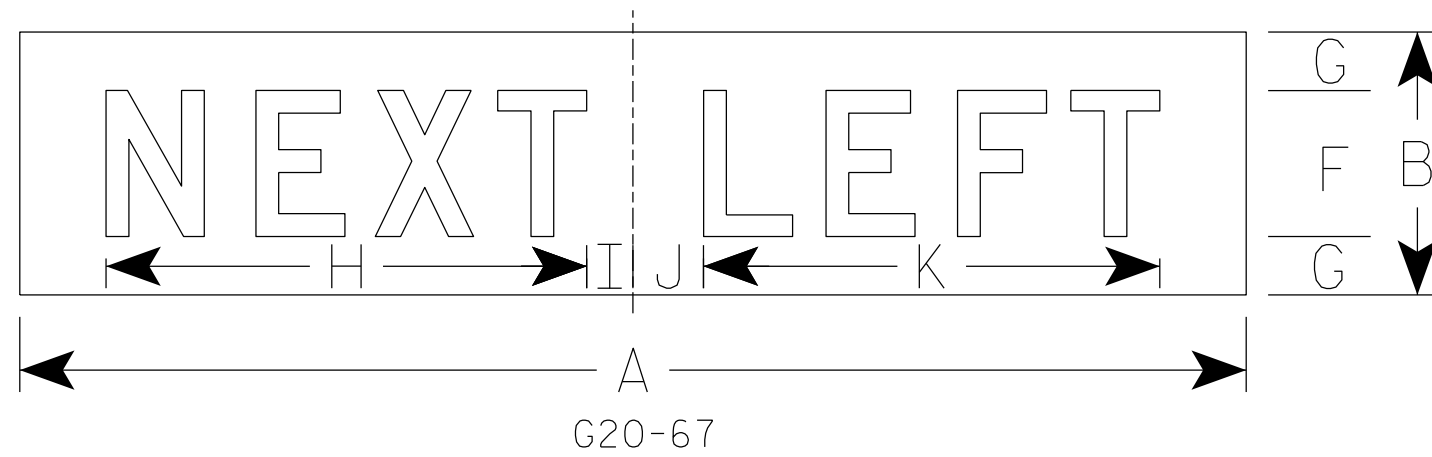
APPROVED *Matthew R. Rauch*  
for State Traffic Engineer

DATE 10/30/18 PLATE NO. G20-66.1

PROJECT NO: \_\_\_\_\_ HWY: \_\_\_\_\_ COUNTY: \_\_\_\_\_ SHEET NO: **E**

NOTES

1. Sign is Type II- Type F Reflective
2. Color:  
Background - Orange  
Message - Black
3. Message Series - D
4. Material shall be .040 aluminum



7

7

SIZE	A	B	C	D	E	F	G	H	I	J	K	L	M	N	O	P	Q	R	S	T	U	V	W	X	Y	Z	Area sq. ft.
1																											
2																											
3																											
4	84	18				10	4	32 7/8	3 1/8	4 7/8	31 1/4																10.5
5																											

STANDARD SIGN

G20-67

WISCONSIN DEPT OF TRANSPORTATION

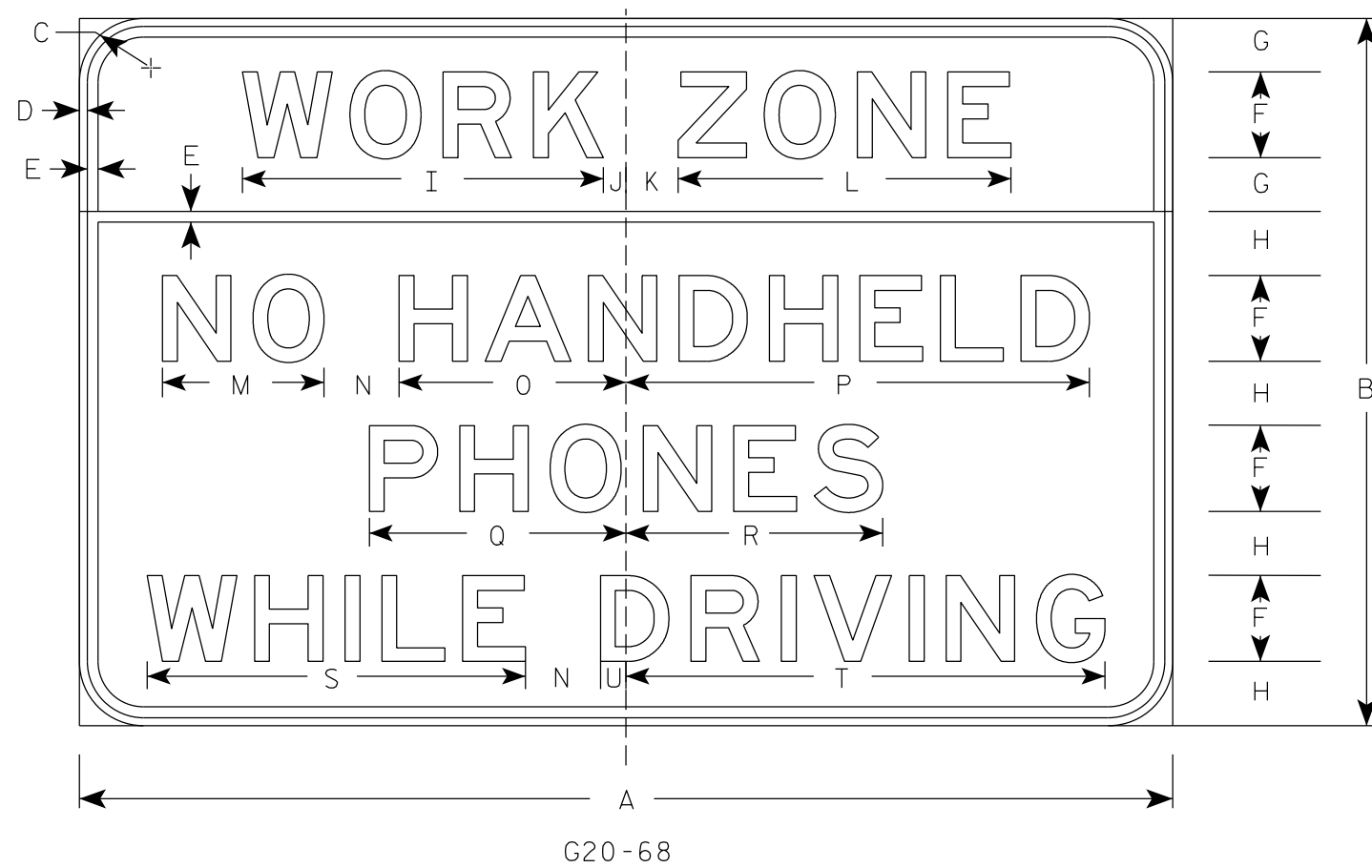
APPROVED *Matthew R. Rauch*  
for State Traffic Engineer

DATE 4/4/19 PLATE NO. G20-67.1

PROJECT NO: \_\_\_\_\_ HWY: \_\_\_\_\_ COUNTY: \_\_\_\_\_ SHEET NO: **E**

NOTES

1. Sign is Type II- Type H Reflective except as noted.
2. Color:  
 Background - White except Work Zone panel is Fluorescent Orange  
 Type F Reflective  
 Message - Black
3. Message Series - E
4. Traffic mitigation contract required for signs to be included on project.
5. Corners may be square or rounded when base material is plywood but borders shall be rounded as shown. When base material is metal, the corners and borders shall be rounded.



7

7

SIZE	A	B	C	D	E	F	G	H	I	J	K	L	M	N	O	P	Q	R	S	T	U	V	W	X	Y	Z	Area sq. ft.
1																											
2S	78	48	3	5/8	3/4	6	3	4 1/2	24 7/8	2 3/8	4 1/4	23	11 1/4	6	15 1/2	32 3/4	18	18	26 1/2	33 7/8	1 3/8					26.0	
2M	78	48	3	5/8	3/4	6	3	4 1/2	24 7/8	2 3/8	4 1/4	23	11 1/4	6	15 1/2	32 3/4	18	18	26 1/2	33 7/8	1 3/8					26.0	
3	102	66	6	3/4	1	8	5	6	33 5/8	2 1/8	4 7/8	31	15	7	21 1/8	43 1/4	24	24	35 1/4	44 5/8	2 3/8					46.75	
4	102	66	6	3/4	1	8	5	6	33 5/8	2 1/8	4 7/8	31	15	7	21 1/8	43 1/4	24	24	35 1/4	44 5/8	2 3/8					46.75	
5	102	66	6	3/4	1	8	5	6	33 5/8	2 1/8	4 7/8	31	15	7	21 1/8	43 1/4	24	24	35 1/4	44 5/8	2 3/8					46.75	

STANDARD SIGN  
G20-68

WISCONSIN DEPT OF TRANSPORTATION

APPROVED *Matthew R. Rauch*  
For State Traffic Engineer

DATE 6/10/19 PLATE NO. G20-68.1

NOTES

1. Sign is Type II - Type H Reflective
2. Color:  
Background - WHITE  
Message - BLACK
3. Message Series - B
4. USE CORRECT PHONE NUMBER ACCORDING TO REGION,  
OPTICALLY CENTER CORRECT PHONE NUMBER



\* Varies

SIZE	A	B	C	D	E	F	G	H	I	J	K	L	M	N	O	P	Q	R	S	T	U	V	W	X	Y	Z	Area sq. ft.
1																											
2	48		2 1/4	3/4	1	8	4	3 1/2	6	7	12 1/2	17 1/2	19 1/4	2 1/4	3/4	8 5/8		3	9	21							16.0
3																											
4																											
5																											

STANDARD SIGN  
I57-10

WISCONSIN DEPT OF TRANSPORTATION

APPROVED *Matthew R. Rauch*  
State Traffic Engineer

DATE 4/18/19 PLATE NO. I57-10.2

PROJECT NO: \_\_\_\_\_ HWY: \_\_\_\_\_ COUNTY: \_\_\_\_\_ SHEET NO: **E**

NOTES

1. Sign is Type II - Type H Reflective
2. Color:  
Background - Green  
Message - White
3. Message Series - D for Size 1 except when over 108" than Series C  
C for Size 2 except when over 108" use Series B
4. Base material shall be 0.125 aluminum
5. Width may be no more than 108"

Typical for Overhead Street Name



M1-94H

\*Minimum dimension is 6 inch for Size 2 and 4 inch for Size 1

SIZE	A	B	C	D	E	F	G	H	I	J	K	L	M	N	O	P	Q	R	S	T	U	V	W	X	Y	Z	Area sq. ft.
1	Varies	18	3			6	8	5 5/8	4	3	6 5/8																Varies
2	Varies	18	3			9	12	4	6	4 1/2	5 1/2																Varies
3																											
4																											
5																											

STANDARD SIGN  
M1-94H

WISCONSIN DEPT OF TRANSPORTATION

APPROVED *Matthew R. Rauch*  
for State Traffic Engineer

DATE 5/2/19 PLATE NO. M1-94H.5

PROJECT NO: \_\_\_\_\_ HWY: \_\_\_\_\_ COUNTY: \_\_\_\_\_ SHEET NO: **E**

7

7

NOTES

1. Sign is Type II - Type H Reflective
2. Color:  
Background - Green  
Message - White
3. Message Series - D for Size 1 except when over 108" use Series C  
C for Size 2 except when over 108" use Series B
4. Base material shall be 0.125 aluminum
5. Width may be no more than 108"

Typical for Overhead Street Name with Shield



M1-94S

\* Minimum dimension is 6 inches for Size 2 and 4 inches for Size 1.

SIZE	A	B	C	D	E	F	G	H	I	J	K	L	M	N	O	P	Q	R	S	T	U	V	W	X	Y	Z	Area sq. ft.
1	Varies	18	3			6	8	5 5/8	4	3	6 5/8																Varies
2	Varies	18	3			9	12	4	6	4 1/2	5 1/2																Varies
3																											
4																											
5																											

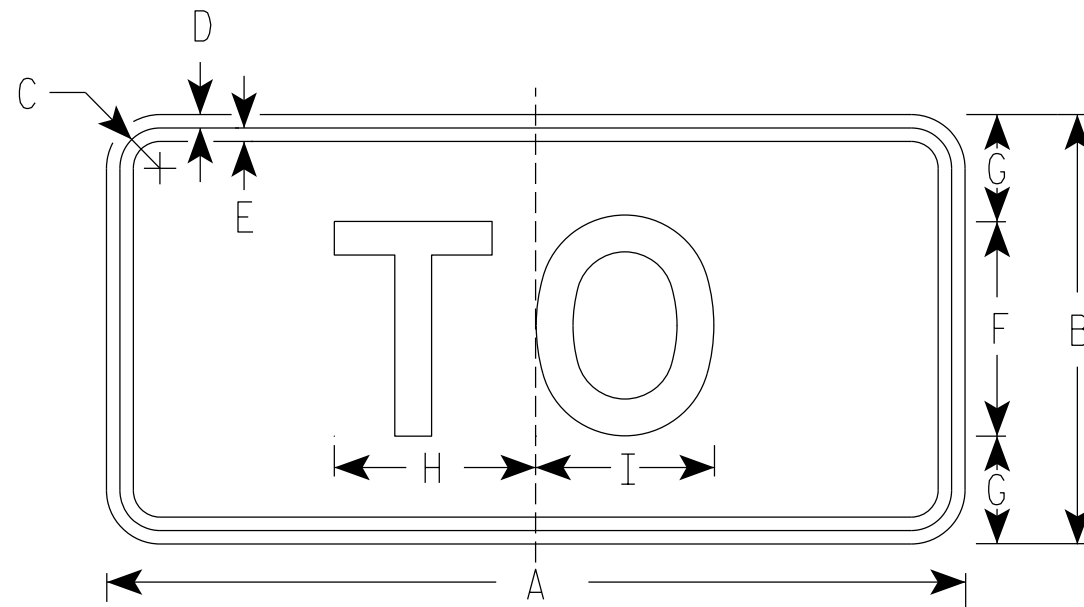
STANDARD SIGN  
M1-94S

WISCONSIN DEPT OF TRANSPORTATION

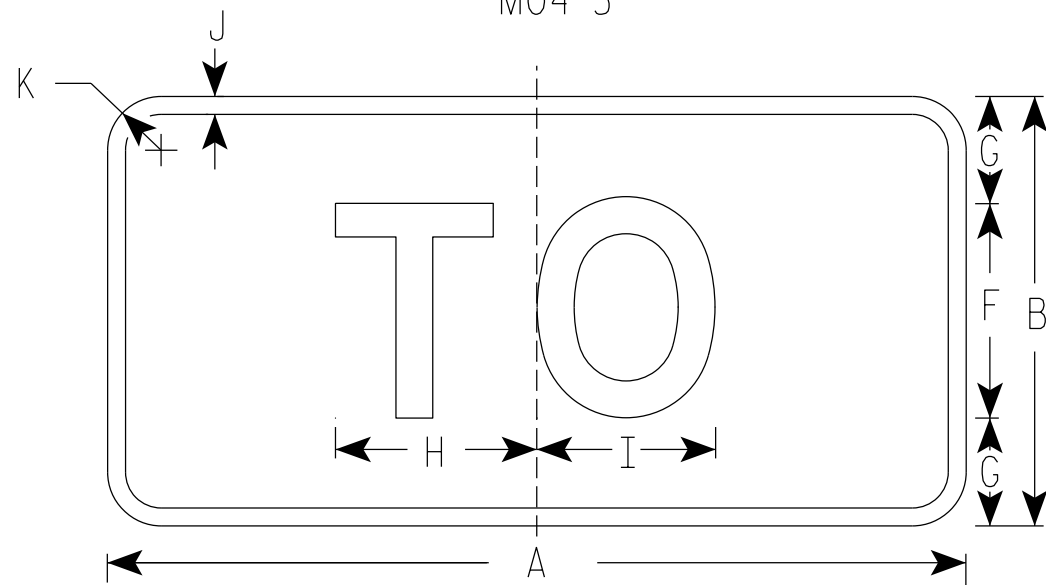
APPROVED *Matthew R. Rauch*  
for State Traffic Engineer

DATE 5/2/19 PLATE NO. M1-94S.5





M4-5  
MM4-5  
MP4-5  
M04-5



MB4-5  
MK4-5  
MN4-5

NOTES

1. Sign is Type II - Type H Reflective
2. Color:  
Background - See note 5  
Message - See note 5
3. Message Series - E
4. Corners may be square or rounded when base material is plywood but borders shall be rounded as shown. When base material is metal, the corners and borders shall be rounded.
5. M4-5 Background - White  
Message - Black  
MB4-5 Background - Blue  
Message - White  
MK4-5 Background - Green  
Message - White  
MM4-5 Background - White  
Message - Green  
MN4-5 Background - Brown  
Message - White  
MP4-5 Background - White  
Message - Blue  
M04-5 Background - Orange Type F Reflective  
Message - Black

7

7

SIZE	A	B	C	D	E	F	G	H	I	J	K	L	M	N	O	P	Q	R	S	T	U	V	W	X	Y	Z	Area sq. ft.
1																											
2	24	12	1 1/8	3/8	3/8	6	3	5 3/8	5 1/4	1/2	1 1/2																2.00
3	36	18	1 3/8	3/8	1/2	9	4 1/2	8 1/4	8 3/8	1/2	1 1/2																4.5
4	36	18	1 3/8	3/8	1/2	9	4 1/2	8 1/4	8 3/8	1/2	1 1/2																4.5
5	36	18	1 3/8	3/8	1/2	9	4 1/2	8 1/4	8 3/8	1/2	1 1/2																4.5

STANDARD SIGN  
M4-5

WISCONSIN DEPT OF TRANSPORTATION

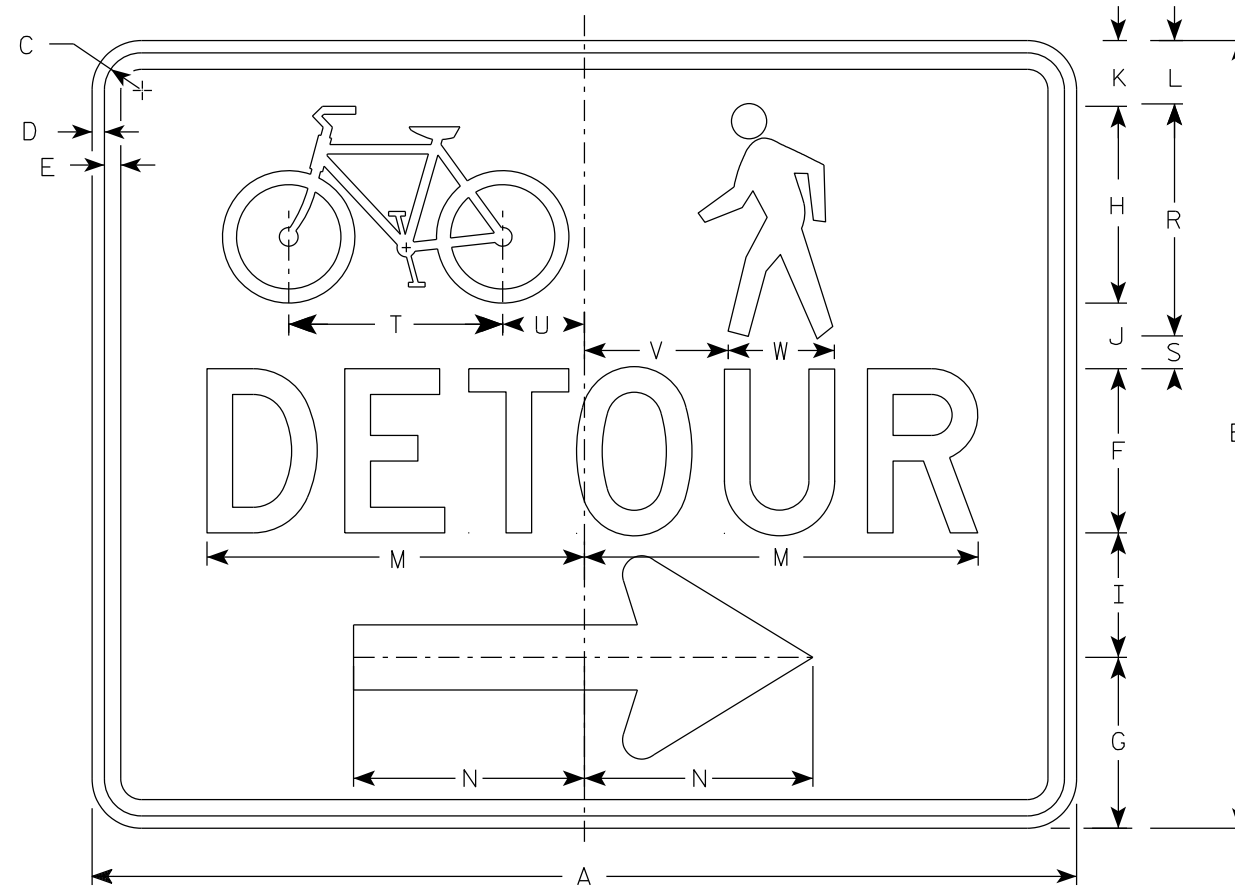
APPROVED *Matthew R. Rauch*  
State Traffic Engineer

DATE 03/7/19 PLATE NO. M4-5.9

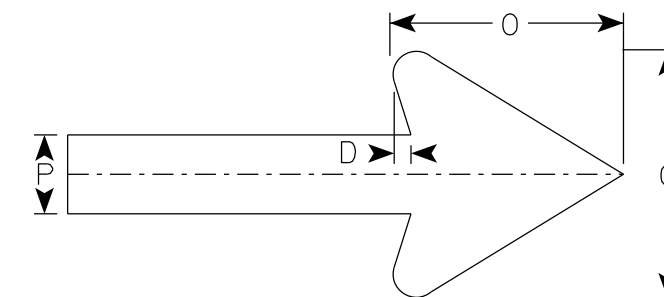
PROJECT NO: \_\_\_\_\_ HWY: \_\_\_\_\_ COUNTY: \_\_\_\_\_ SHEET NO: **E**

NOTES

1. Sign is Type II-Type F Reflective
2. Color:  
Background - Orange  
Message - Black
3. Message Series - D
4. Corners may be square or rounded when base material is plywood but borders shall be rounded as shown. When base material is metal, the corners and borders shall be rounded.
5. M4-9AL is the same as M4-9AR except the arrow is reversed.



M4-9AR



Arrow Detail

SIZE	A	B	C	D	E	F	G	H	I	J	K	L	M	N	O	P	Q	R	S	T	U	V	W	X	Y	Z	Area sq. ft.
1																											
2	30	24	1 1/8	3/8	1/2	5	5 1/4	6	3 3/4	2	2	1 7/8	11 3/4	7	6	2		7 1/8	1	6 1/2	2 1/2	4 3/8	3 1/4				5.00
3																											
4																											
5																											

STANDARD SIGN  
M4-9A L&R

WISCONSIN DEPT OF TRANSPORTATION

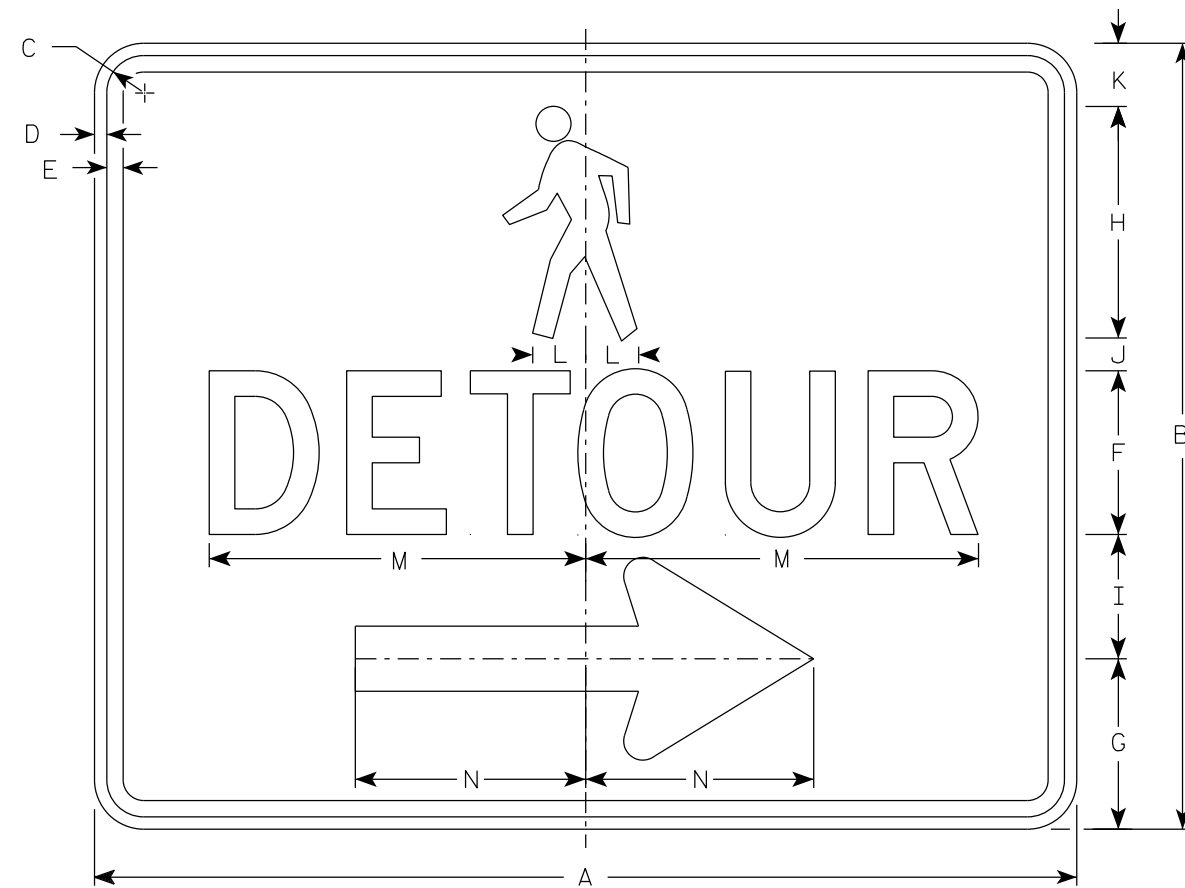
APPROVED *Matthew R Rauch*  
For State Traffic Engineer

DATE 7/2/19 PLATE NO. M4-9A.1

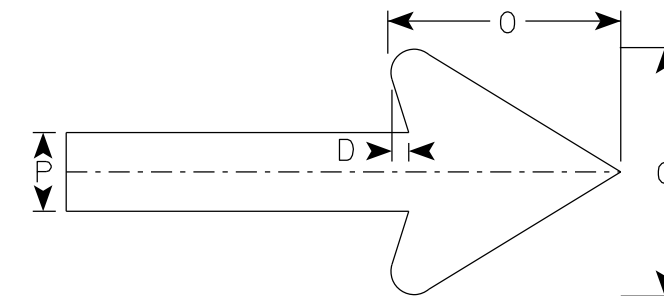
PROJECT NO: HWY: COUNTY: SHEET NO: **E**

NOTES

1. Sign is Type II-Type F Reflective
2. Color:  
Background - Orange  
Message - Black
3. Message Series - D
4. Corners may be square or rounded when base material is plywood but borders shall be rounded as shown. When base material is metal, the corners and borders shall be rounded.
5. M4-9BL is the same as M4-9BR except the arrow is reversed.



M4 - 9BR



Arrow Detail

SIZE	A	B	C	D	E	F	G	H	I	J	K	L	M	N	O	P	Q	R	S	T	U	V	W	X	Y	Z	Area sq. ft.
1																											
2	30	24	1 1/8	3/8	1/2	5	5 1/4	7 1/8	3 3/4	1	1 1/8	1 5/8	11 3/4	7	6	2											5.00
3																											
4																											
5																											

STANDARD SIGN  
M4-9B L&R

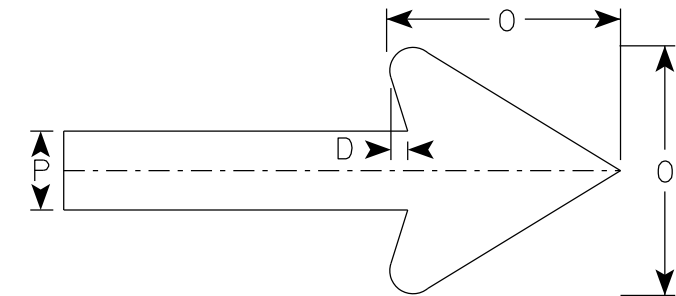
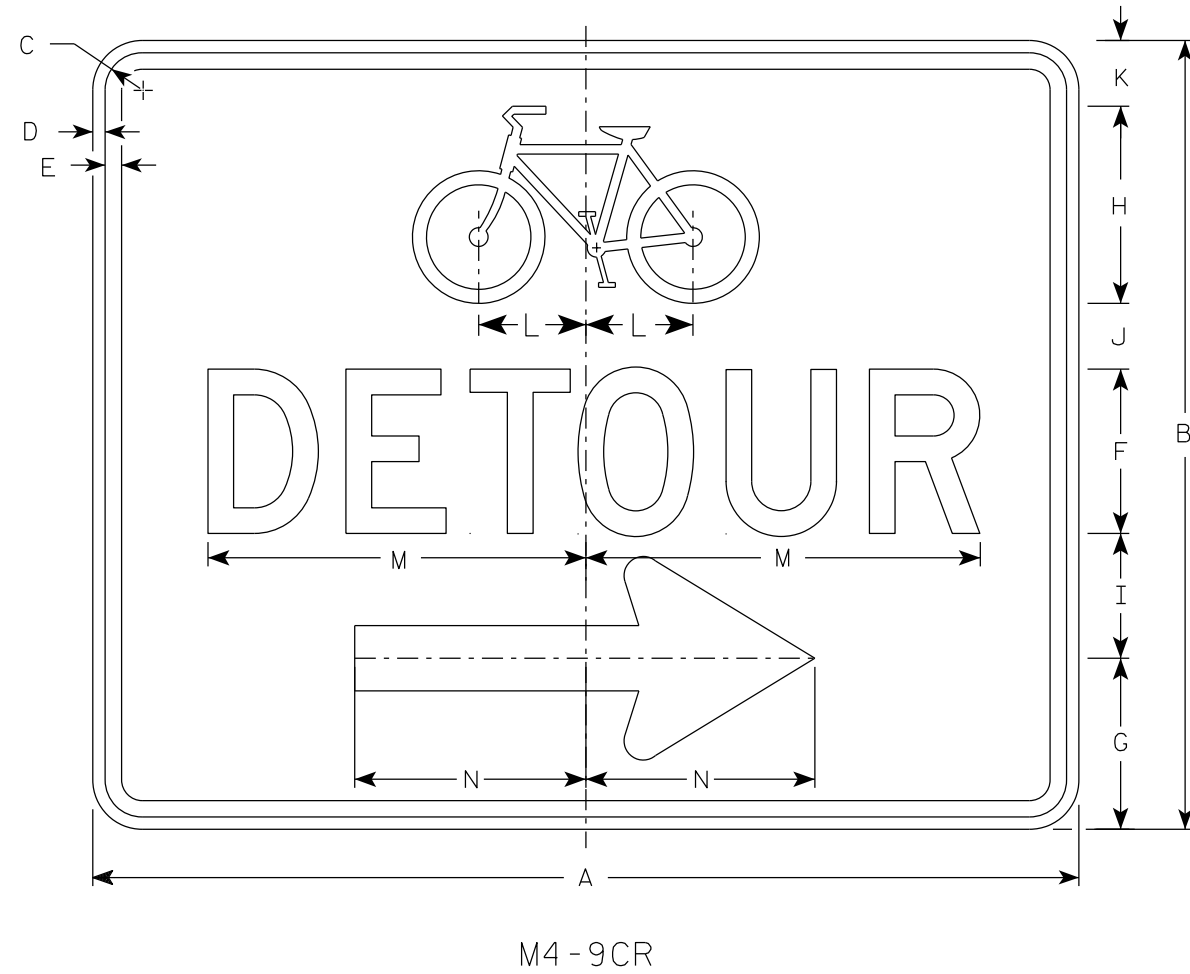
WISCONSIN DEPT OF TRANSPORTATION

APPROVED *Matthew R. Rauch*  
For State Traffic Engineer

DATE 7/1/19 PLATE NO. M4-9B.2

NOTES

1. Sign is Type II-Type F Reflective
2. Color:  
Background - Orange  
Message - Black
3. Message Series - D
4. Corners may be square or rounded when base material is plywood but borders shall be rounded as shown. When base material is metal, the corners and borders shall be rounded.
5. M4-9CL is the same as M4-9CR except the arrow is reversed.



Arrow Detail

SIZE	A	B	C	D	E	F	G	H	I	J	K	L	M	N	O	P	Q	R	S	T	U	V	W	X	Y	Z	Area sq. ft.
1																											
2	30	24	1 1/8	3/8	1/2	5	5 1/4	6	3 3/4	2	2	3 1/4	11 3/4	7	6	2										5.00	
3																											
4																											
5																											

STANDARD SIGN  
M4-9C L&R

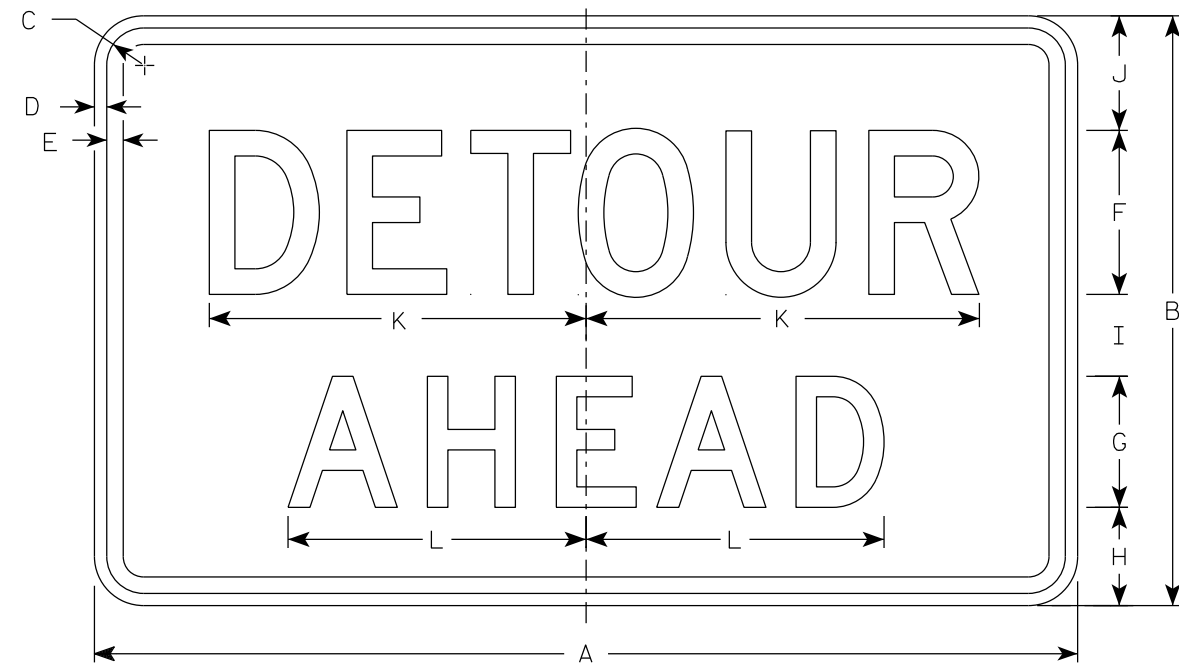
WISCONSIN DEPT OF TRANSPORTATION

APPROVED *Matthew R Rauch*  
For State Traffic Engineer

DATE 7/2/19 PLATE NO. M4-9C.1

NOTES

1. Sign is Type II - Type F Reflective
2. Color:  
Background - Orange  
Message - Black
3. Message Series - D
4. Corners may be square or rounded when base material is plywood but borders shall be rounded as shown. When base material is metal, the corners and borders shall be rounded.



M4-59A

7

7

SIZE	A	B	C	D	E	F	G	H	I	J	K	L	M	N	O	P	Q	R	S	T	U	V	W	X	Y	Z	Area sq. ft.
1																											
2	30	18	1 1/8	3/8	1/2	5	4	3	2 1/2	3 1/2	11 3/4	9 1/8															3.75
3																											
4																											
5																											

STANDARD SIGN  
M4-59A

WISCONSIN DEPT OF TRANSPORTATION

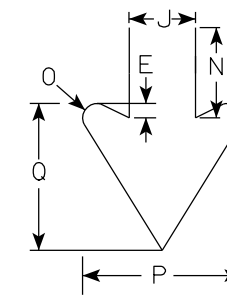
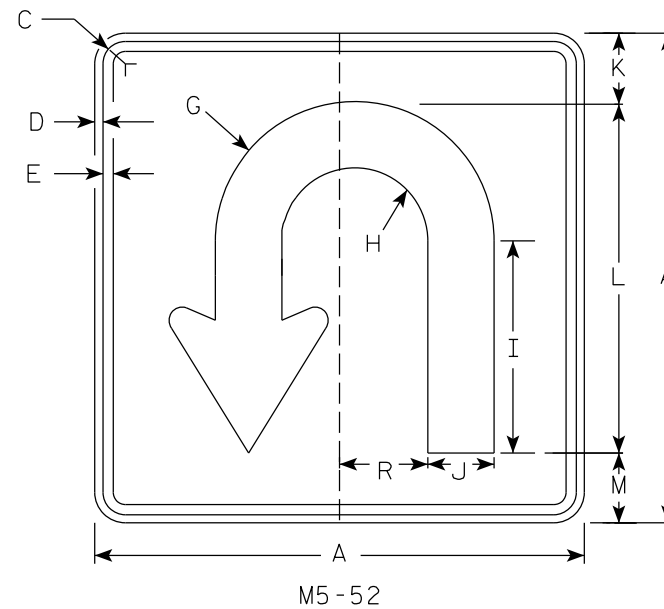
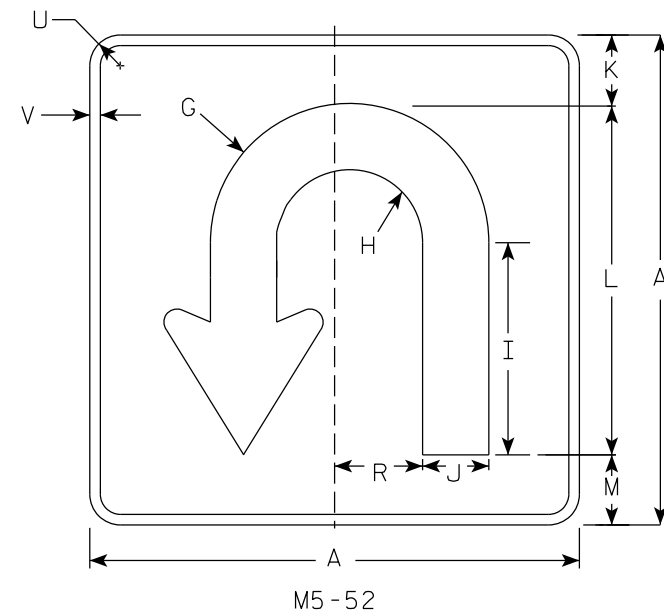
APPROVED *Matthew R. Rauch*  
for State Traffic Engineer

DATE 7/1/19 PLATE NO. M4-59A.1

PROJECT NO: \_\_\_\_\_ HWY: \_\_\_\_\_ COUNTY: \_\_\_\_\_ SHEET NO: **E**

NOTES

1. Signs are Type II - Type H except as Shown
2. Color:
  - Background - See Note 4
  - Message - See note 4
3. M5-52 Background - White  
Message - Black
- MB5-52 Background - Blue  
Message - White
- MK5-52 Background - Green  
Message - White
- MM5-52 Background - White  
Message - Green
- MN5-52 Background - Brown  
Message - White
- M05-52 Background - Orange - Type F Reflective  
Message - Black
- MP5-52 Background - White  
Message - Blue
- MR5-52 Background - Brown  
Message - Yellow



Arrow Detail

SIZE	A	B	C	D	E	F	G	H	I	J	K	L	M	N	O	P	Q	R	S	T	U	V	W	X	Y	Z	Area sq. ft.
1																											
2	21		1 1/8	3/8	3/8		6	3 1/8	9 1/8	2 7/8	3	15	3	3 7/8	5/8	6 7/8	6 3/4	3 3/4			1 1/2	1/2					3.06
3	30		1 3/8	1/2	5/8		8 1/2	4 1/2	13	4 1/8	4 3/8	21 3/8	4 1/4	5 1/2	7/8	9 3/4	8 1/8	5 1/4			2 1/2	5/8					6.25
4																											
5																											

STANDARD SIGN  
M5-52  
SERIES

WISCONSIN DEPT OF TRANSPORTATION

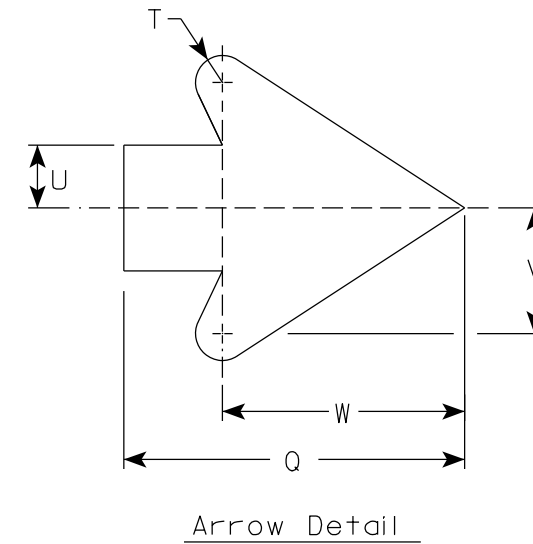
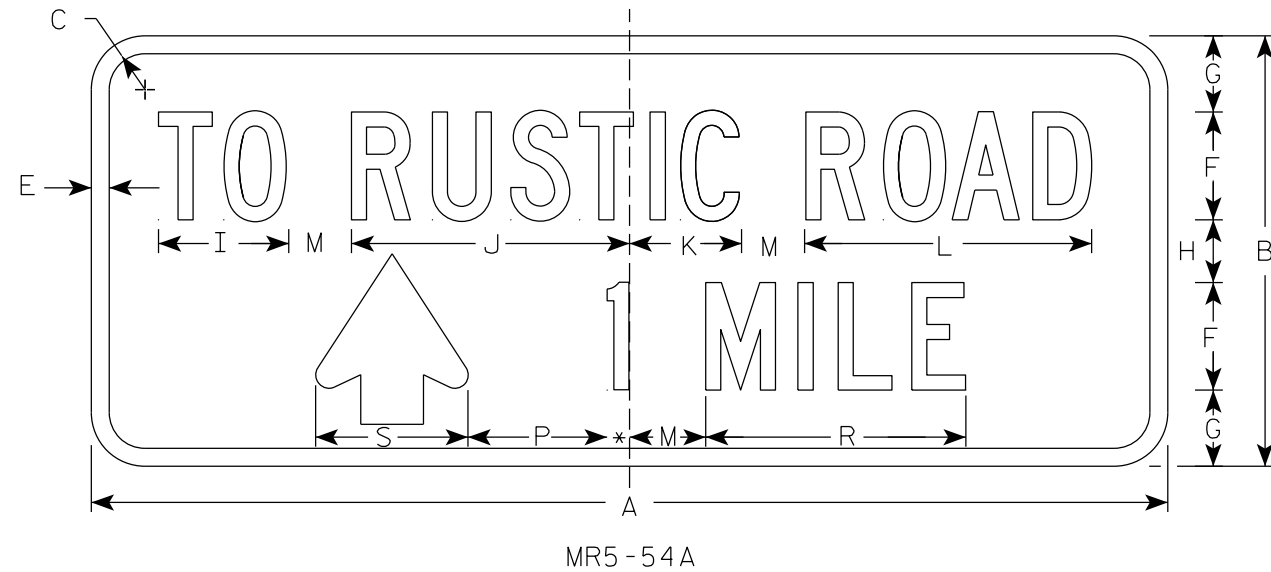
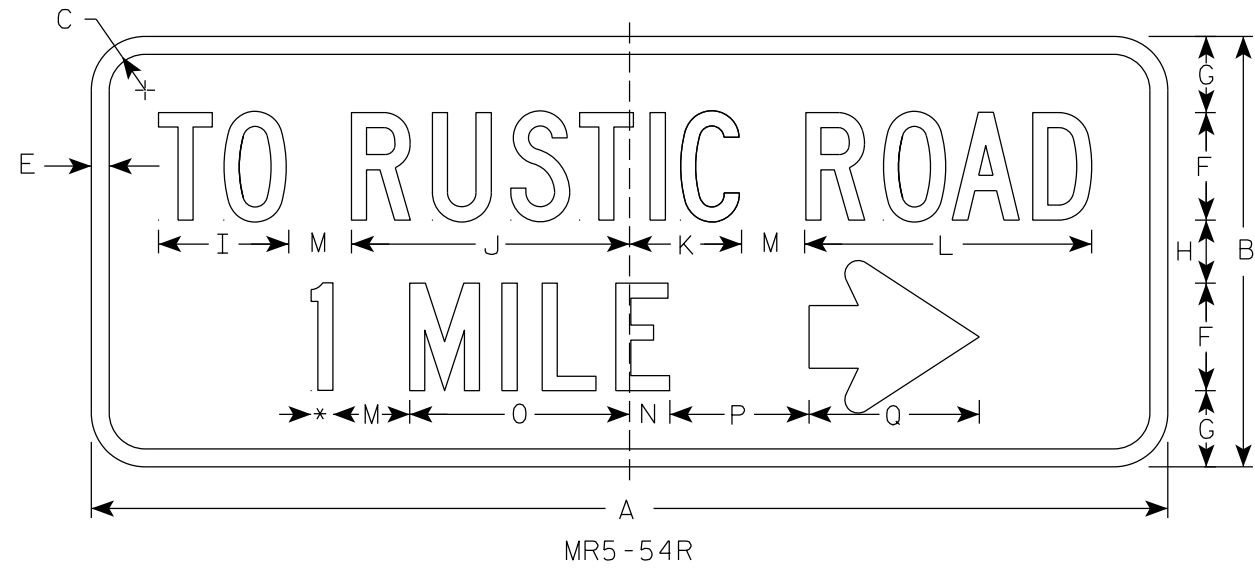
APPROVED *Matthew R. Rauch*  
State Traffic Engineer

DATE 5/21/19 PLATE NO. M5-52.1

PROJECT NO: HWY: COUNTY: SHEET NO: **E**

NOTES

1. Sign is Type II - Type H Reflective
2. Color:  
Background - Brown  
Message - Yellow
3. Message Series - C
4. Mileage is variable but shall be in whole miles, no fractions are allowed, add an S when more than one mile. Adjust spacing to achieve proper balance.
5. MR5-54R (Right arrow)  
MR5-54L (Left arrow)  
MR5-54A (Ahead arrow)



\* (See Note 4)

MILES

SIZE	A	B	C	D	E	F	G	H	I	J	K	L	M	N	O	P	Q	R	S	T	U	V	W	X	Y	Z	Area sq. ft.
1																											
2	30	12	1 1/8		1/2	3	2 1/8	1 3/4	3 5/8	7 3/4	3 1/8	8	1 3/4	1 1/8	6 1/8	3 7/8	4 3/4	7 3/4	4 1/4	3/8	7/8	1 3/4	3 3/8	9 1/8		2.5	
3	48	18	1 1/8		1/2	5	2 1/4	3 1/2	6 1/8	12 7/8	5 1/4	13 1/4	4	7 7/8	4 1/4	5	7	12	6	1	1 3/8	2 3/4	5	15 5/8		6.0	
4																											
5																											

STANDARD SIGN  
MR5-54 & MR5-54A

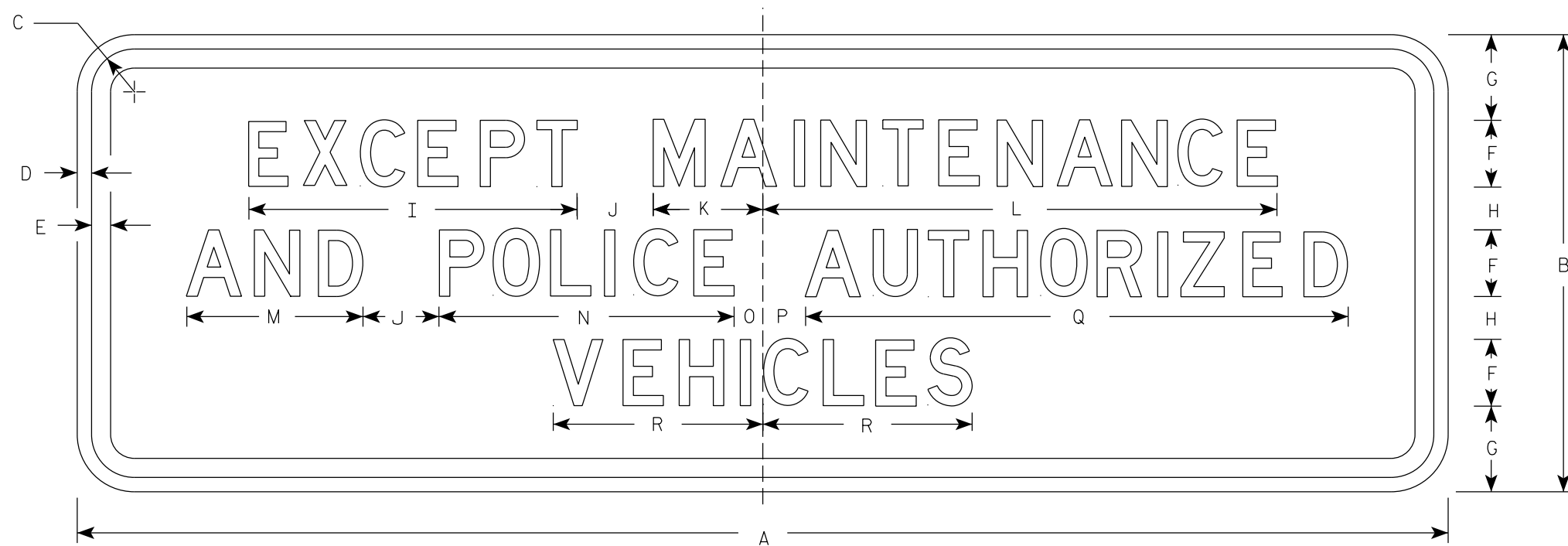
WISCONSIN DEPT OF TRANSPORTATION

APPROVED: *Matthew R. Rauch*  
For State Traffic Engineer

DATE 4/18/19 PLATE NO. MR5-54.7

NOTES

1. Sign is Type II - Type H Reflective
2. Color:  
Background - White  
Message - Black
3. Message Series - D



R3-4A

SIZE	A	B	C	D	E	F	G	H	I	J	K	L	M	N	O	P	Q	R	S	T	U	V	W	X	Y	Z	Area sq. ft.
1																											
2S																											
2M	36	12	1 3/8	1/2	3/8	1 3/4	2 1/4	1 1/8	8 5/8	2	2 7/8	13 1/2	4 5/8	7 3/4	3/4	1 1/8	14 1/4	5 1/2									3.0
3	36	12	1 3/8	1/2	3/8	1 3/4	2 1/4	1 1/8	8 5/8	2	2 7/8	13 1/2	4 5/8	7 3/4	3/4	1 1/8	14 1/4	5 1/2									3.0
4	36	12	1 3/8	1/2	3/8	1 3/4	2 1/4	1 1/8	8 5/8	2	2 7/8	13 1/2	4 5/8	7 3/4	3/4	1 1/8	14 1/4	5 1/2									3.0
5	36	12	1 3/8	1/2	3/8	1 3/4	2 1/4	1 1/8	8 5/8	2	2 7/8	13 1/2	4 5/8	7 3/4	3/4	1 1/8	14 1/4	5 1/2									3.0

STANDARD SIGN  
R3-4A

WISCONSIN DEPT OF TRANSPORTATION

APPROVED *Matthew R. Rauch*  
For State Traffic Engineer

DATE 4/18/19 PLATE NO. R3-4A.10

PROJECT NO: \_\_\_\_\_ HWY: \_\_\_\_\_ COUNTY: \_\_\_\_\_ SHEET NO: **E**



NOTES

1. Sigs are Type II - Type H Reflective
2. Color:  
Background - White  
Message - Black
3. Message Series - D
4. Use appropriate Letter for Sign Code  
Each letter added makes sign wider. Example R3-8EAR
5. Square footage of sign varies by letters

1 Letter = 3.75 sq ft for Size 2  
6.0 sq ft for Size 3  
10.0 sq ft for Size 4 or 5

2 Letters = 7.5 sq ft for Size 2  
12.0 sq ft for Size 3  
20.0 sq ft for Size 4 or 5

3 Letters = 11.25 sq ft for Size 2  
18.0 sq ft for Size 3  
30.0 sq ft for Size 4 or 5

4 Letters = 15.0 sq ft for Size 2  
24.0 sq ft for Size 3  
40.0 sq ft for Size 4 or 5

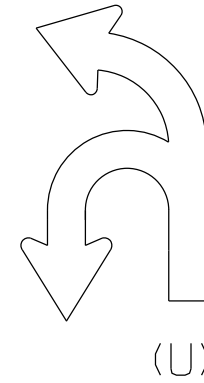
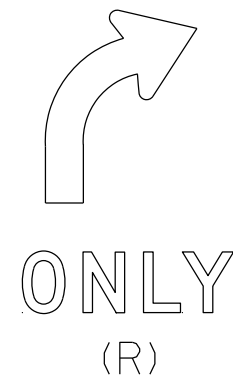
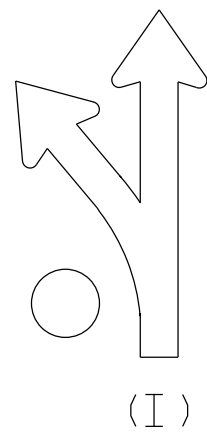
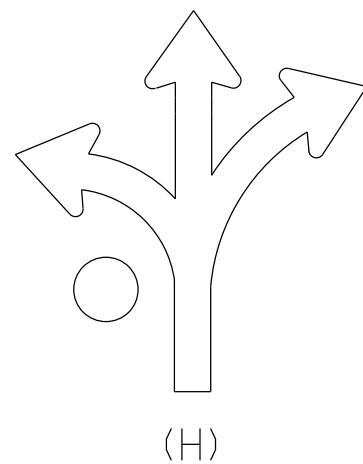
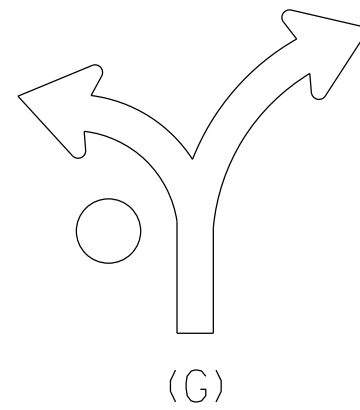
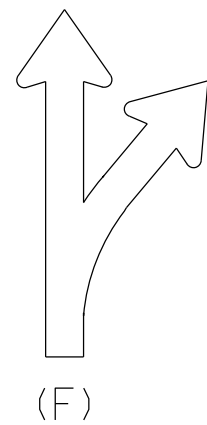
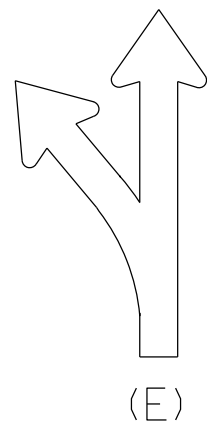
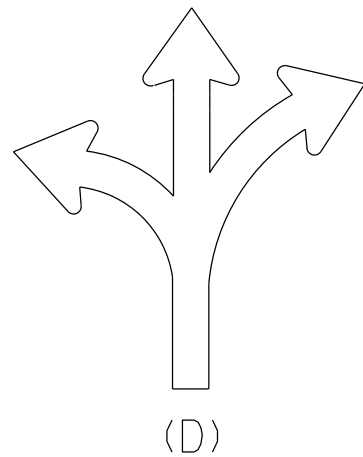
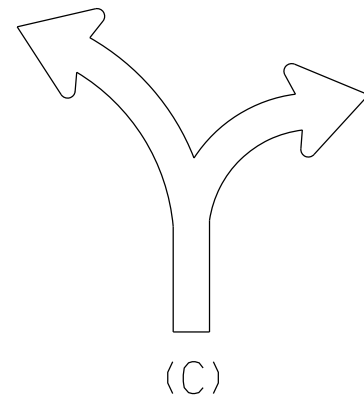
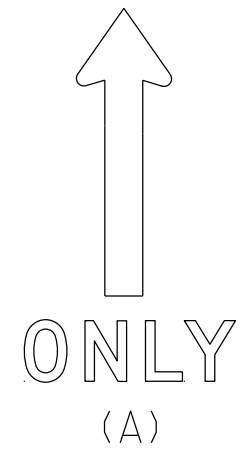
5 Letters = 18.75 sq ft for Size 2  
30.0 sq ft for Size 3  
50.0 sq ft for Size 4 or 5

6 Letters = 22.5 sq ft for Size 2  
36.0 sq ft for Size 3  
60.0 sq ft for Size 4 or 5

6. When letters C,D,G,H are used on the Left or Right end of the sign the Sq.Ft. changes.

Add the amounts when these letters are used:

1.25 sq ft for Size 2  
1.5 sq ft for Size 3  
2.0 sq ft for Size 4 or 5



STANDARD SIGN  
R3-8 Series

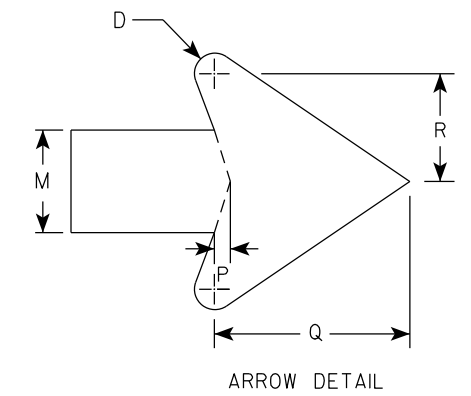
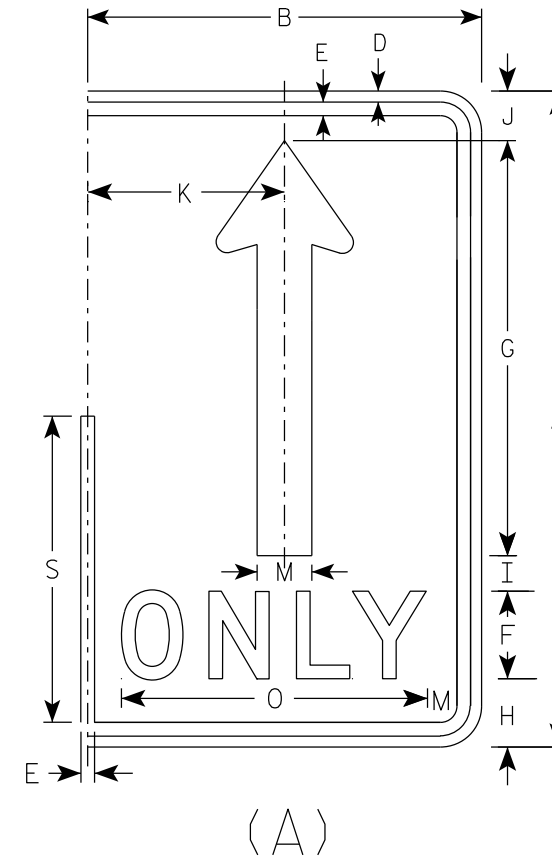
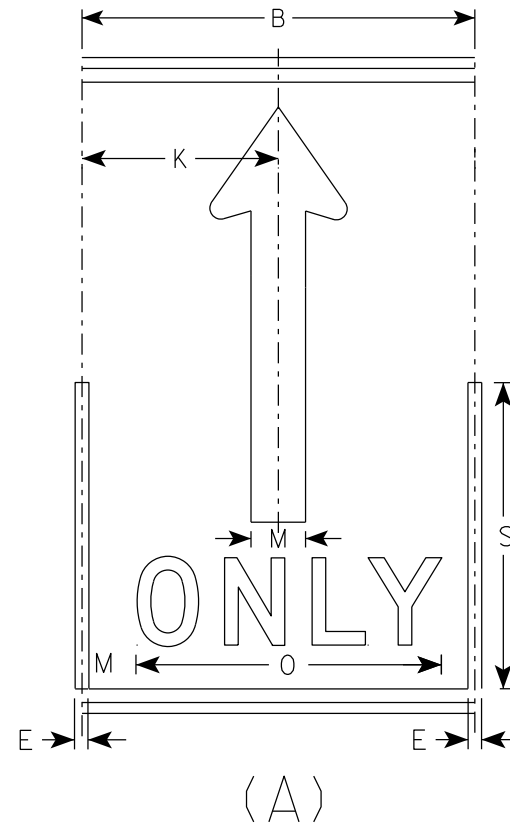
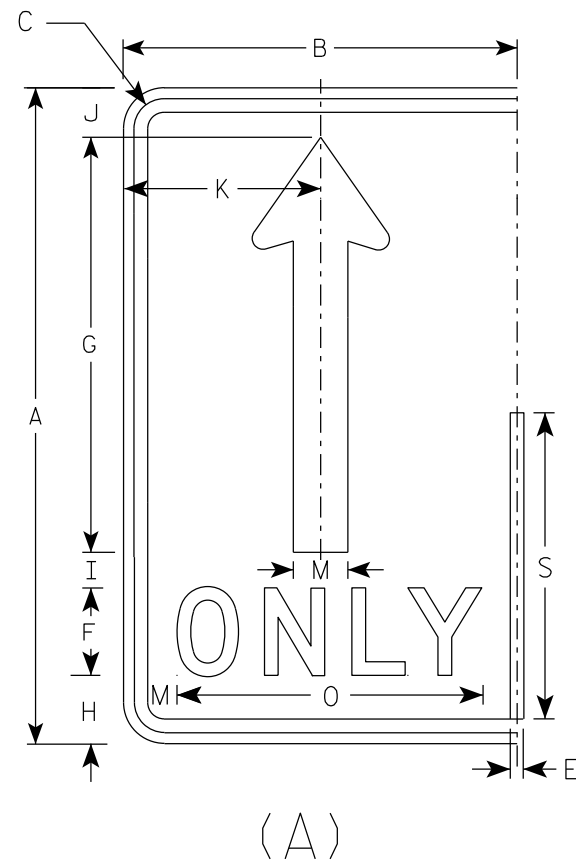
WISCONSIN DEPT OF TRANSPORTATION

APPROVED *Matthew R. Rauch*  
for State Traffic Engineer

DATE 5/21/19 PLATE NO. R3-8.1

NOTES

1. Sign is Type II - Type H Reflective
2. Color:  
Background - White  
Message - Black
3. Message Series - D



SIZE	A	B	C	D	E	F	G	H	I	J	K	L	M	N	O	P	Q	R	S	T	U	V	W	X	Y	Z	Area sq. ft.
1																											
2S	30	18	1 3/8	1/2	5/8	4	19	3 1/8	1 5/8	2 1/4	9		2 1/2		14	3/8	4 3/4	2 5/8	14								3.75
2M	30	18	1 3/8	1/2	5/8	4	19	3 1/8	1 5/8	2 1/4	9		2 1/2		14	3/8	4 3/4	2 5/8	14								3.75
3	36	24	1 3/8	1/2	5/8	5	22 3/4	3 3/4	1 3/4	2 3/4	12		3		17 5/8	1/2	5 3/4	3 1/8	16 3/4								6.0
4	48	30	2 1/4	3/4	1	6	30 3/8	5 1/8	2 7/8	3 5/8	15		4		21 3/4	5/8	7 5/8	4 1/4	22 3/8								10.0
5	48	30	2 1/4	3/4	1	6	30 3/8	5 1/8	2 7/8	3 5/8	15		4		21 3/4	5/8	7 5/8	4 1/4	22 3/8								10.0

STANDARD SIGN  
R3-8 (A) Arrow

WISCONSIN DEPT OF TRANSPORTATION

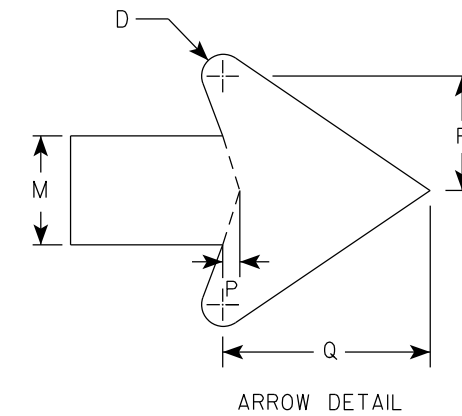
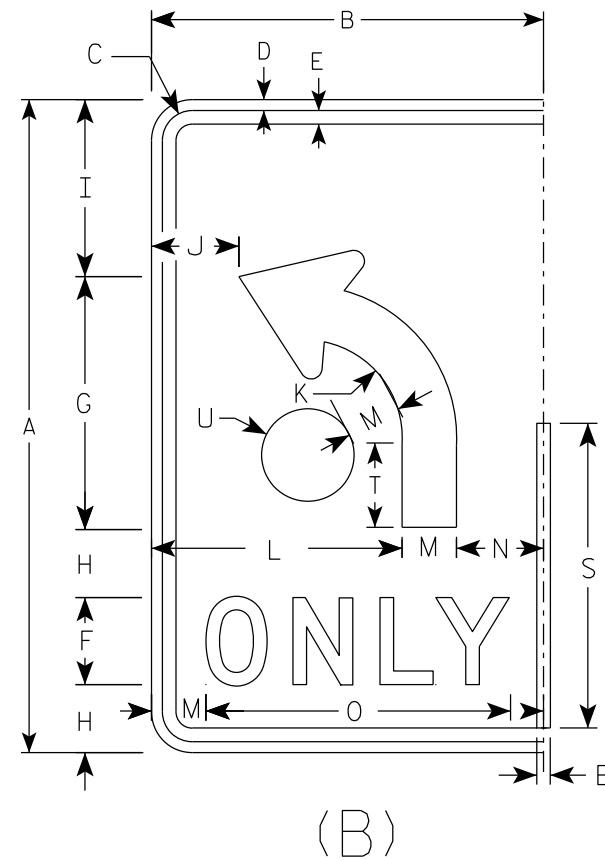
APPROVED *Matthew R Rauch*  
for State Traffic Engineer

DATE 5/21/19 PLATE NO. R3-8.1

PROJECT NO: \_\_\_\_\_ HWY: \_\_\_\_\_ COUNTY: \_\_\_\_\_ SHEET NO: **E**

NOTES

1. Sign is Type II - Type H Reflective
2. Color:
  - Background - White
  - Message - Black
  - Message Series - D



SIZE	A	B	C	D	E	F	G	H	I	J	K	L	M	N	O	P	Q	R	S	T	U	V	W	X	Y	Z	Area sq. ft.
1																											
2S	30	18	1 3/8	1/2	5/8	4	11 5/8	3 1/8	8 1/8	4	4 1/2	11 1/2	2 1/2	4	14	3/8	4 3/4	2 5/8	14	3 7/8	2 1/8						3.75
2M	30	18	1 3/8	1/2	5/8	4	11 5/8	3 1/8	8 1/8	4	4 1/2	11 1/2	2 1/2	4	14	3/8	4 3/4	2 5/8	14	3 7/8	2 1/8						3.75
3	36	24	1 3/8	1/2	5/8	5	14	3 1/2	9 3/4	6	5 3/8	15	3	6	17 5/8	1/2	5 3/4	3 1/8	16 3/4	4 5/8	2 1/2						6.0
4	48	30	2 1/4	3/4	1	6	18 5/8	5 1/8	13 1/8	6 1/8	7 1/4	18	4	8	21 3/4	5/8	7 5/8	4 1/4	22 3/8	6 1/4	3 3/8						10.0
5	48	30	2 1/4	3/4	1	6	18 5/8	5 1/8	13 1/8	6 1/8	7 1/4	18	4	8	21 3/4	5/8	7 5/8	4 1/4	22 3/8	6 1/4	3 3/8						10.0

STANDARD SIGN  
R3-8 (B) Arrow

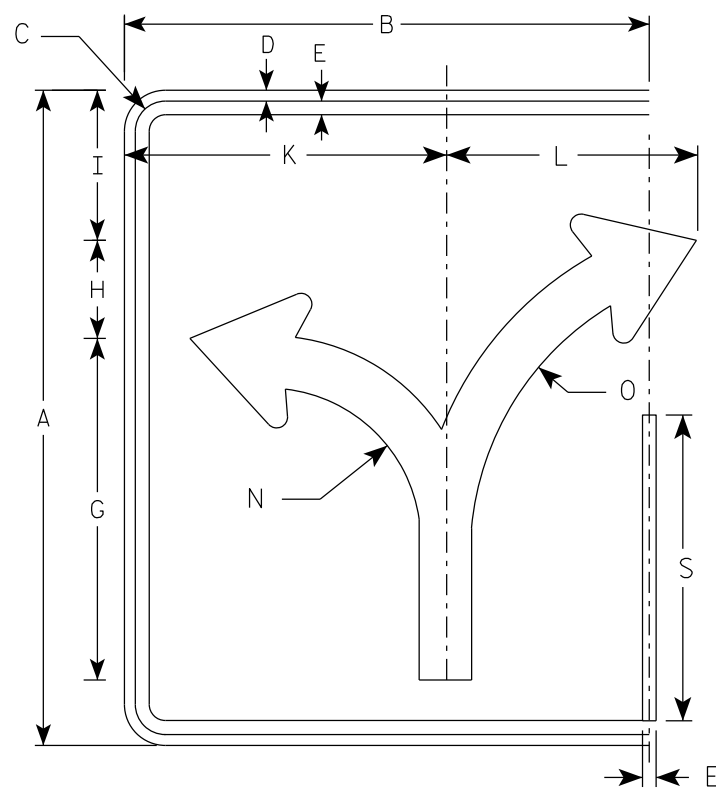
WISCONSIN DEPT OF TRANSPORTATION

APPROVED *Matthew R. Rauch*  
for State Traffic Engineer

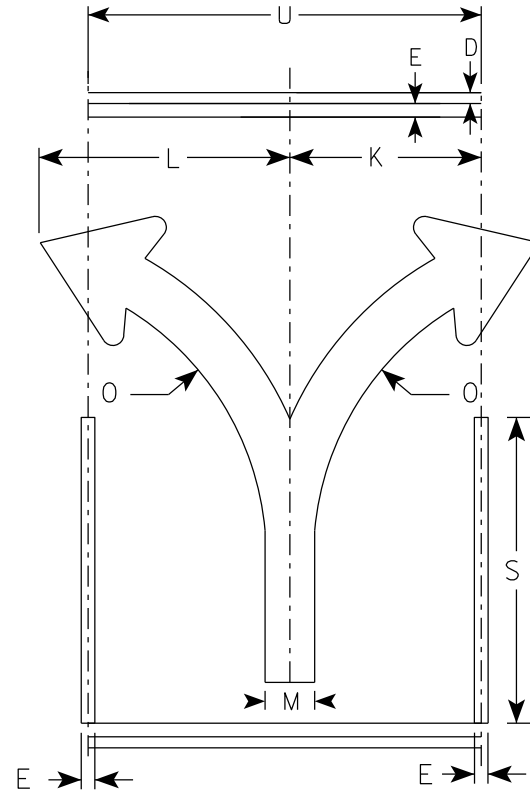
DATE 5/21/19 PLATE NO. R3-8.1

NOTES

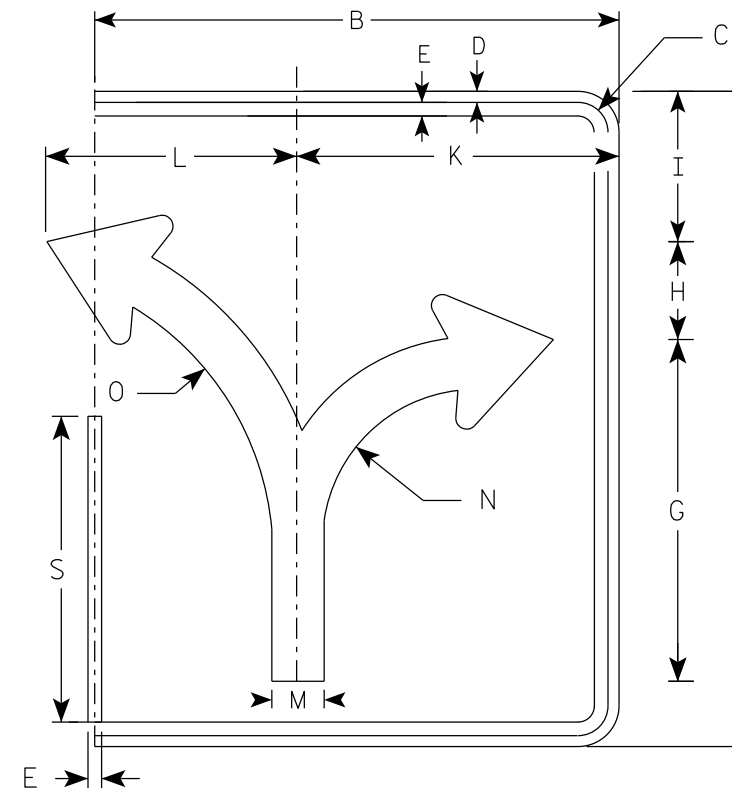
1. Sign is Type II - Type H Reflective
2. Color:  
Background - White  
Message - Black
3. Message Series - None



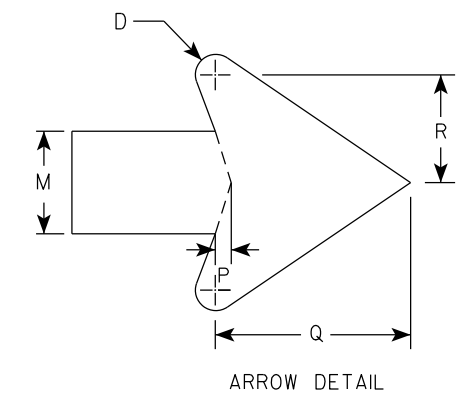
(C)



(C)



(C)



7

7

SIZE	A	B	C	D	E	F	G	H	I	J	K	L	M	N	O	P	Q	R	S	T	U	V	W	X	Y	Z	ENDS	MIDDLE
																											Area sq. ft.	Area sq. ft.
1																												
2S	30	24	1 3/8	1/2	5/8		15 5/8	4 1/2	6 7/8		14 3/4	11 1/2	2 3/8	7	13 1/4	3/8	4 1/2	2 1/2	14		18						5.0	3.75
2M	30	24	1 3/8	1/2	5/8		15 5/8	4 1/2	6 7/8		14 3/4	11 1/2	2 3/8	7	13 1/4	3/8	4 1/2	2 1/2	14		18						5.0	3.75
3	36	30	1 3/8	1/2	5/8		18 3/4	5 1/2	8 1/4		17 1/4	17 1/4	2 7/8	8 3/8	16	1/2	5 1/2	3	16 3/4		24						7.5	6.0
4	48	36	2 1/4	3/4	1		24 7/8	7 1/4	11		23 1/8	18	3 3/4	11 1/8	21 1/4	5/8	7 1/8	4	22 3/8		30						12.0	10.0
5	48	36	2 1/4	3/4	1		24 7/8	7 1/4	11		23 1/8	18	3 3/4	11 1/8	21 1/4	5/8	7 1/8	4	22 3/8		30						12.0	10.0

STANDARD SIGN  
R3-8 (C) Arrow

WISCONSIN DEPT OF TRANSPORTATION

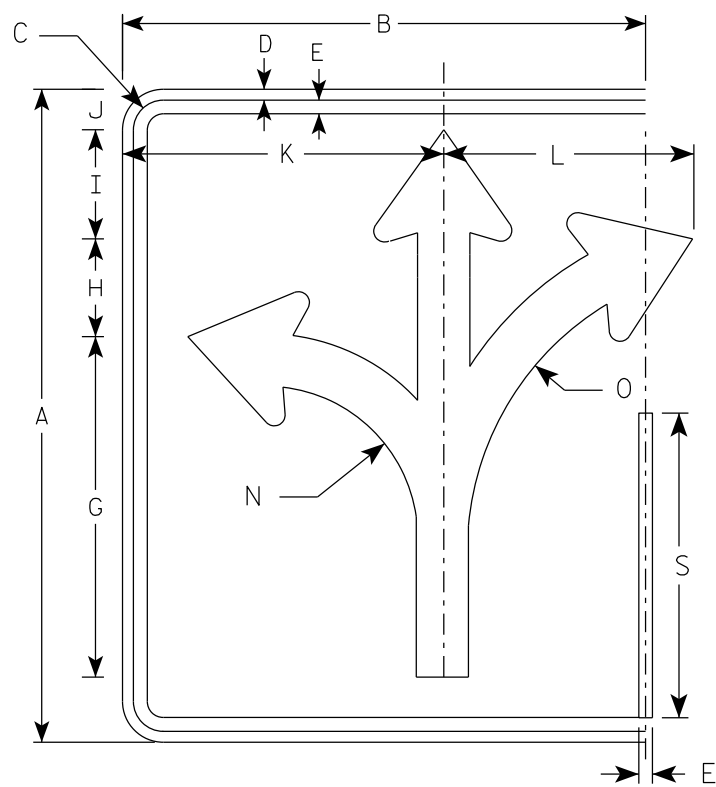
APPROVED *Matthew R Rauch*  
for State Traffic Engineer

DATE 5/21/19 PLATE NO. R3-8.1

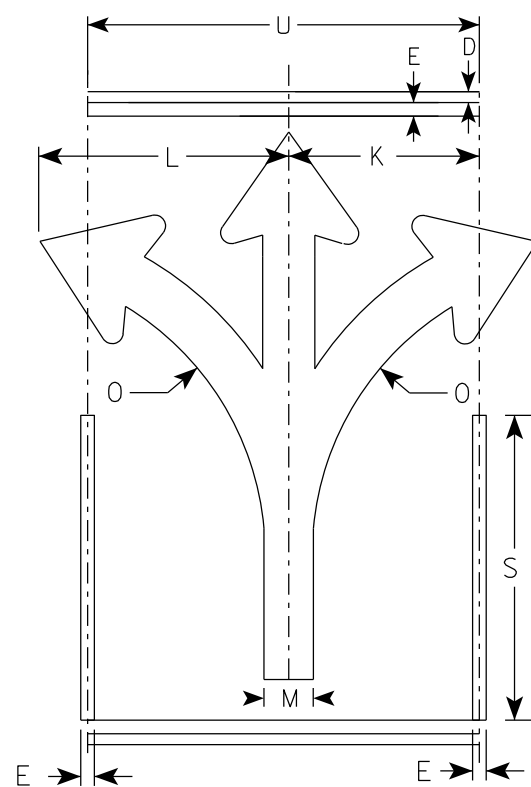
PROJECT NO: \_\_\_\_\_ HWY: \_\_\_\_\_ COUNTY: \_\_\_\_\_ SHEET NO: **E**

NOTES

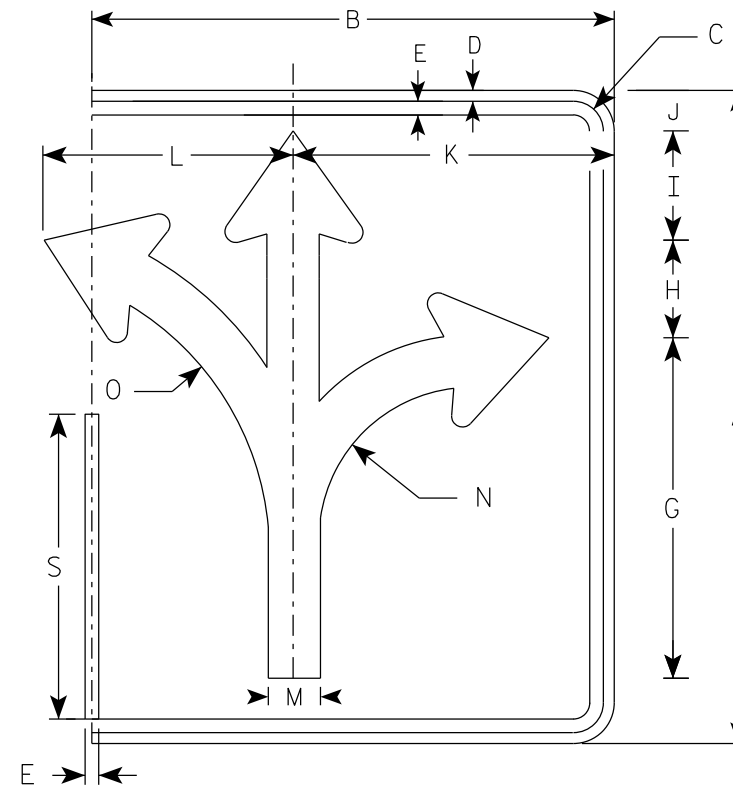
1. Sign is Type II - Type H Reflective
2. Color:  
Background - White  
Message - Black
3. Message Series - None



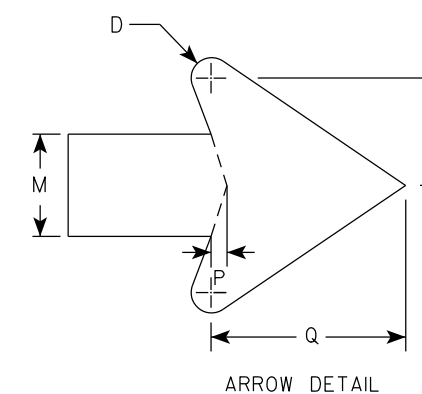
(D)



(D)



(D)



ARROW DETAIL

7

7

SIZE	A	B	C	D	E	F	G	H	I	J	K	L	M	N	O	P	Q	R	S	T	U	V	W	X	Y	Z	ENDS	MIDDLE
																											Area sq. ft.	Area sq. ft.
1																												
2S	30	24	1 3/8	1/2	5/8		15 5/8	4 1/2	5	1 7/8	14 3/4	11 1/2	2 3/8	7	13 1/4	3/8	4 1/2	2 1/2	14		18						5.0	3.75
2M	30	24	1 3/8	1/2	5/8		15 5/8	4 1/2	5	1 7/8	14 3/4	11 1/2	2 3/8	7	13 1/4	3/8	4 1/2	2 1/2	14		18					5.0	3.75	
3	36	30	1 3/8	1/2	5/8		18 3/4	5 1/2	6	2 1/4	17 1/4	17 1/4	2 7/8	8 3/8	16	1/2	5 1/2	3	16 3/4		24					7.5	6.0	
4	48	36	2 1/4	3/4	1		24 7/8	7 1/4	7 7/8	3 1/8	23 1/8	18	3 3/4	11 1/8	21 1/4	5/8	7 1/8	4	22 3/8		30					12.0	10.0	
5	48	36	2 1/4	3/4	1		24 7/8	7 1/4	7 7/8	3 1/8	23 1/8	18	3 3/4	11 1/8	21 1/4	5/8	7 1/8	4	22 3/8		30					12.0	10.0	

STANDARD SIGN  
R3-8 (D) Arrow

WISCONSIN DEPT OF TRANSPORTATION

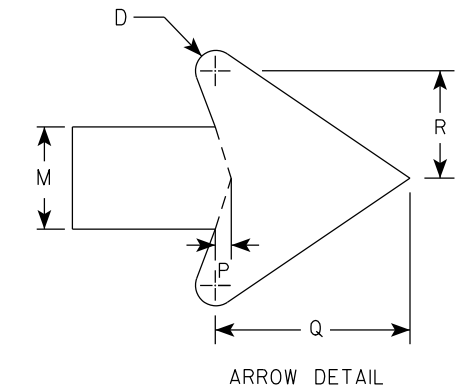
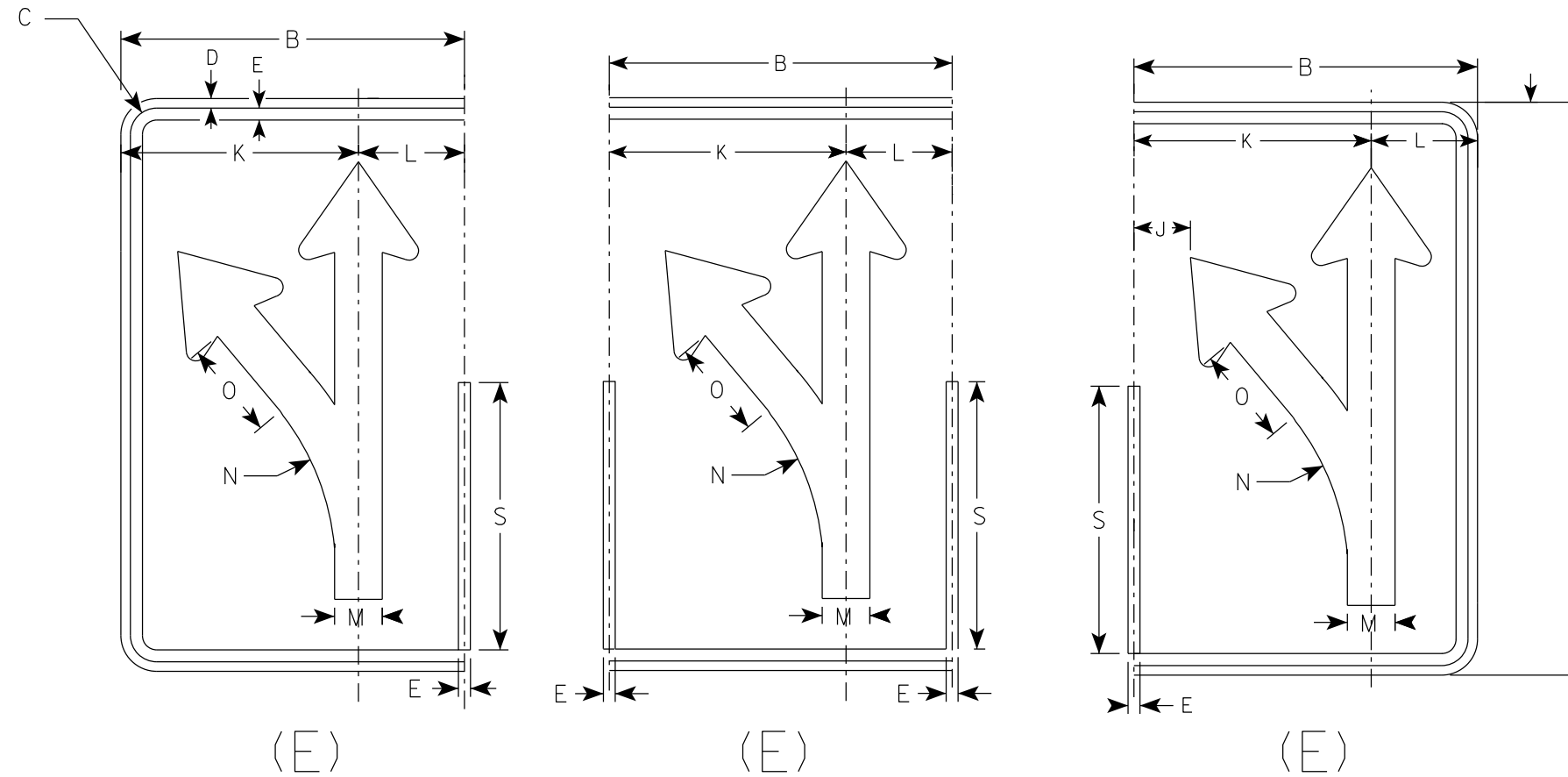
APPROVED *Matthew R. Rauch*  
for State Traffic Engineer

DATE 5/21/19 PLATE NO. R3-8.1

PROJECT NO: \_\_\_\_\_ HWY: \_\_\_\_\_ COUNTY: \_\_\_\_\_ SHEET NO: **E**

NOTES

1. Sign is Type II - Type H Reflective
2. Color:  
Background - White  
Message - Black
3. Message Series - None



7

7

SIZE	A	B	C	D	E	F	G	H	I	J	K	L	M	N	O	P	Q	R	S	T	U	V	W	X	Y	Z	Area sq. ft.
1																											
2S	30	18	1 3/8	1/2	5/8		18 1/4	4 3/4	3 1/4	3	12 1/2	5 1/2	2 1/2	13 1/4	5 1/8	3/8	4 3/4	2 5/8	14								3.75
2M	30	18	1 3/8	1/2	5/8		18 1/4	4 3/4	3 1/4	3	12 1/2	5 1/2	2 1/2	13 1/4	5 1/8	3/8	4 3/4	2 5/8	14								3.75
3	36	24	1 3/8	1/2	5/8		21 7/8	5 5/8	4	4 7/8	16 1/8	7 3/4	3	15 7/8	6 1/8	1/2	5 3/4	3 1/8	16 3/4								6.0
4	48	30	2 1/4	3/4	1		29 1/8	7 1/2	5 1/4	5 3/8	20 1/2	9 1/2	4	21 1/4	8 1/4	5/8	7 5/8	4 1/4	22 3/8								10.0
5	48	30	2 1/4	3/4	1		29 1/8	7 1/2	5 1/4	5 3/8	20 1/2	9 1/2	4	21 1/4	8 1/4	5/8	7 5/8	4 1/4	22 3/8								10.0

STANDARD SIGN  
R3-8 (E) Arrow

WISCONSIN DEPT OF TRANSPORTATION

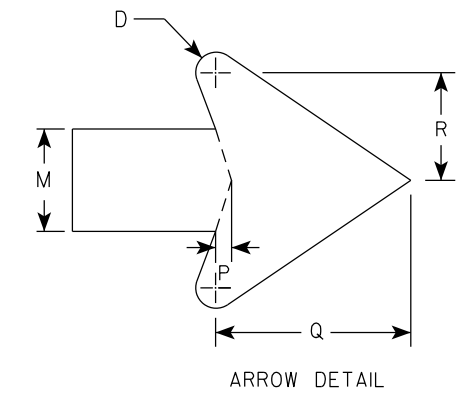
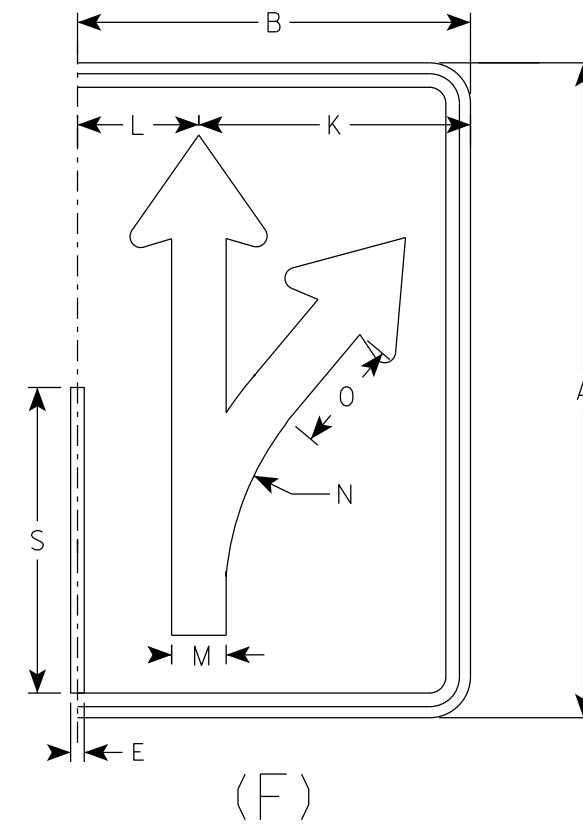
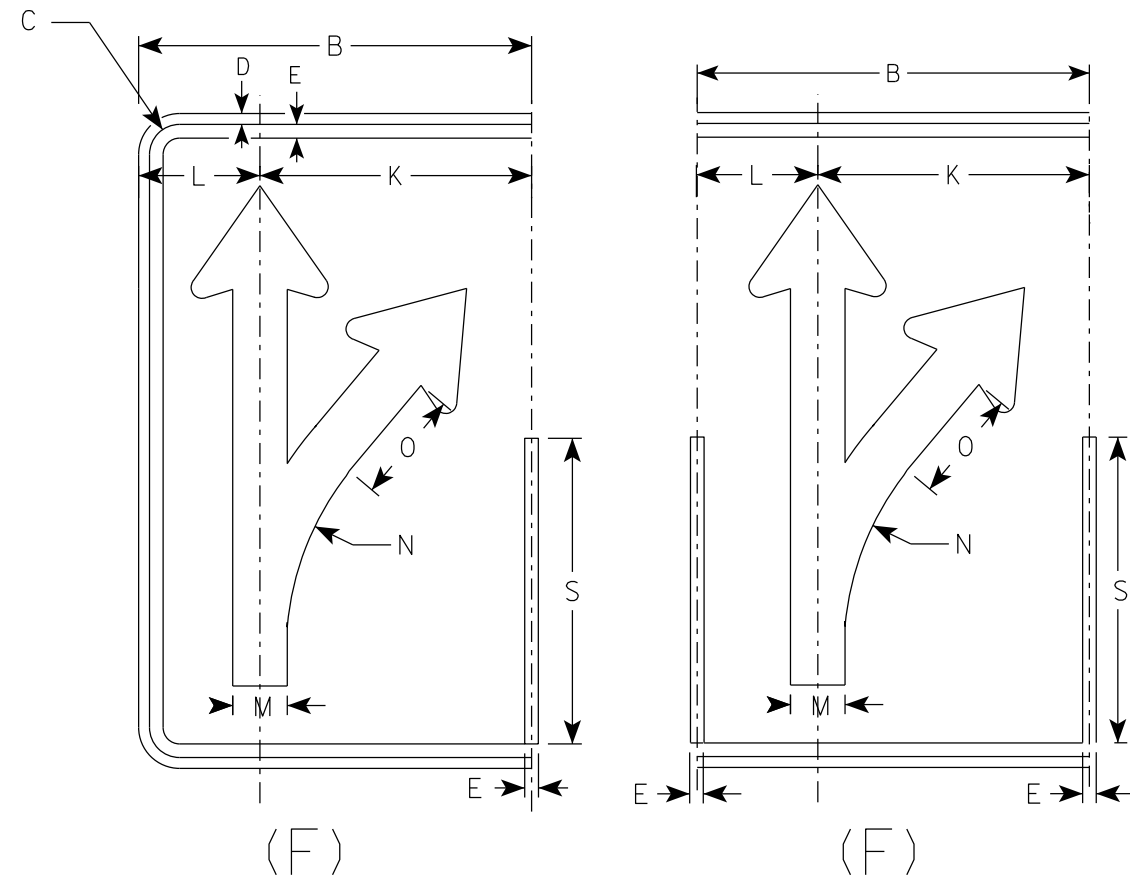
APPROVED *Matthew R. Rauch*  
for State Traffic Engineer

DATE 5/21/19 PLATE NO. R3-8.1

PROJECT NO: \_\_\_\_\_ HWY: \_\_\_\_\_ COUNTY: \_\_\_\_\_ SHEET NO: **E**

NOTES

1. Sign is Type II - Type H Reflective
2. Color:  
Background - White  
Message - Black
3. Message Series - None



7

7

SIZE	A	B	C	D	E	F	G	H	I	J	K	L	M	N	O	P	Q	R	S	T	U	V	W	X	Y	Z	Area sq. ft.
1																											
2S	30	18	1 3/8	1/2	5/8		18 1/4	4 3/4	3 1/4	3	12 1/2	5 1/2	2 1/2	13 1/4	5 1/8	3/8	4 3/4	2 5/8	14								3.75
2M	30	18	1 3/8	1/2	5/8		18 1/4	4 3/4	3 1/4	3	12 1/2	5 1/2	2 1/2	13 1/4	5 1/8	3/8	4 3/4	2 5/8	14								3.75
3	36	24	1 3/8	1/2	5/8		21 7/8	5 5/8	4	4 7/8	16 1/8	7 3/4	3	15 7/8	6 1/8	1/2	5 3/4	3 1/8	16 3/4								6.0
4	48	30	2 1/4	3/4	1		29 1/8	7 1/2	5 1/4	5 3/8	20 1/2	9 1/2	4	21 1/4	8 1/4	5/8	7 5/8	4 1/4	22 3/8								10.0
5	48	30	2 1/4	3/4	1		29 1/8	7 1/2	5 1/4	5 3/8	20 1/2	9 1/2	4	21 1/4	8 1/4	5/8	7 5/8	4 1/4	22 3/8								10.0

STANDARD SIGN  
R3-8 (F) Arrow

WISCONSIN DEPT OF TRANSPORTATION

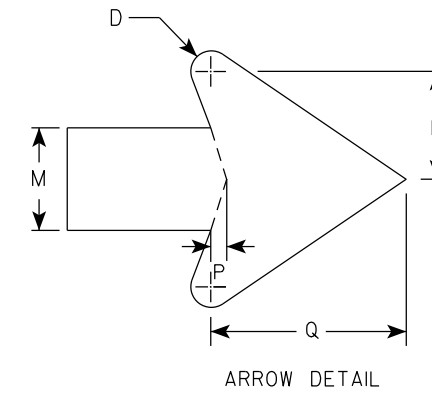
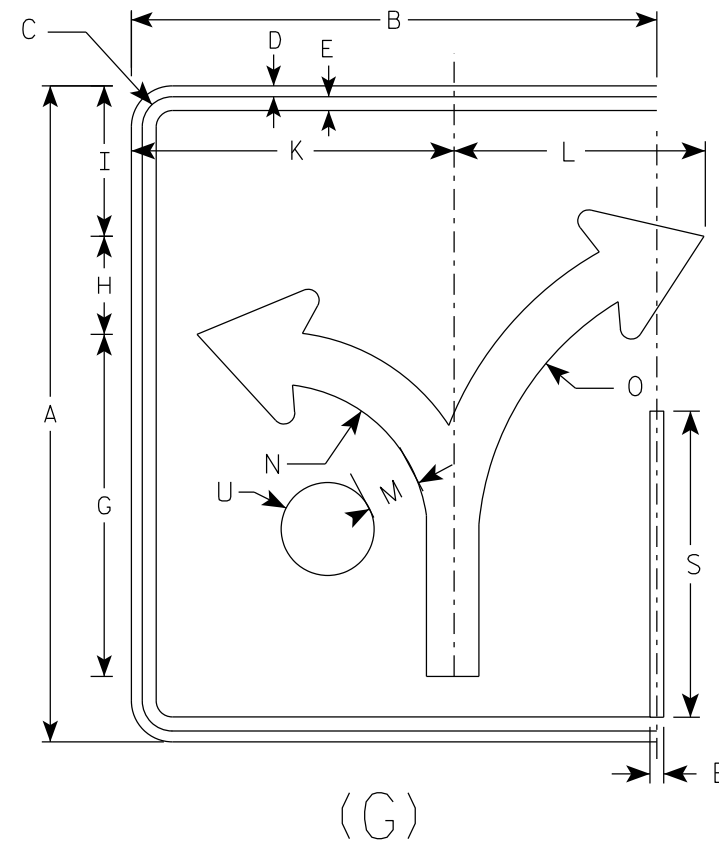
APPROVED *Matthew R. Rauch*  
for State Traffic Engineer

DATE 5/21/19 PLATE NO. R3-8.1

PROJECT NO: \_\_\_\_\_ HWY: \_\_\_\_\_ COUNTY: \_\_\_\_\_ SHEET NO: **E**

NOTES

1. Sign is Type II - Type H Reflective
2. Color:  
Background - White  
Message - Black
3. Message Series - None



7

7

SIZE	A	B	C	D	E	F	G	H	I	J	K	L	M	N	O	P	Q	R	S	T	U	V	W	X	Y	Z	Area sq. ft.
1																											
2S	30	24	1 3/8	1/2	5/8		15 5/8	4 1/2	6 7/8		14 3/4	11 1/2	2 3/8	7	13 1/4	3/8	4 1/2	2 1/2	14		2 1/8						5.0
2M	30	24	1 3/8	1/2	5/8		15 5/8	4 1/2	6 7/8		14 3/4	11 1/2	2 3/8	7	13 1/4	3/8	4 1/2	2 1/2	14		2 1/8						5.0
3	36	30	1 3/8	1/2	5/8		18 3/4	5 1/2	8 1/4		17 1/4	17 1/4	2 7/8	8 3/8	16	1/2	5 1/2	3	16 3/4		2 1/2						7.5
4	48	36	2 1/4	3/4	1		24 7/8	7 1/4	11		23 1/8	18	3 3/4	11 1/8	21 1/4	5/8	7 1/8	4	22 3/8		3 3/8						12.0
5	48	36	2 1/4	3/4	1		24 7/8	7 1/4	11		23 1/8	18	3 3/4	11 1/8	21 1/4	5/8	7 1/8	4	22 3/8		3 3/8						12.0

STANDARD SIGN  
R3-8 (G) Arrow

WISCONSIN DEPT OF TRANSPORTATION

APPROVED *Matthew R Rauch*  
For State Traffic Engineer

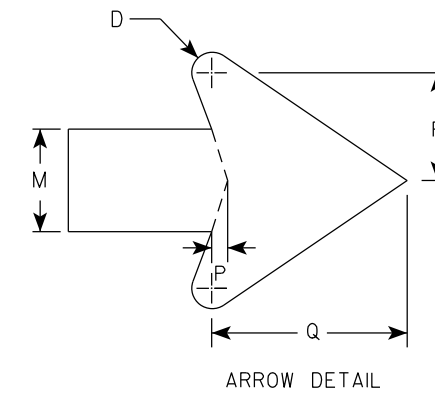
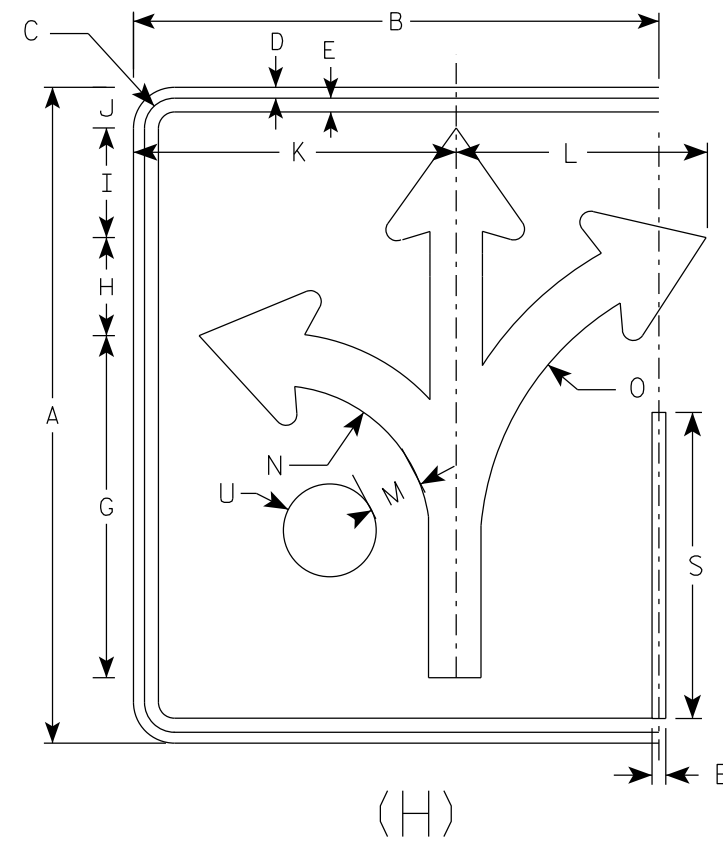
DATE 5/21/19 PLATE NO. R3-8.1

PROJECT NO: \_\_\_\_\_ HWY: \_\_\_\_\_ COUNTY: \_\_\_\_\_ SHEET NO: **E**



NOTES

1. Sign is Type II - Type H Reflective
2. Color:  
Background - White  
Message - Black
3. Message Series - None



7

7

SIZE	A	B	C	D	E	F	G	H	I	J	K	L	M	N	O	P	Q	R	S	T	U	V	W	X	Y	Z	Area sq. ft.
1																											
2S	30	24	1 3/8	1/2	5/8		15 5/8	4 1/2	5	1 7/8	14 3/4	11 1/2	2 3/8	7	13 1/4	3/8	4 1/2	2 1/2	14		2 1/8						5.0
2M	30	24	1 3/8	1/2	5/8		15 5/8	4 1/2	5	1 7/8	14 3/4	11 1/2	2 3/8	7	13 1/4	3/8	4 1/2	2 1/2	14		2 1/8						5.0
3	36	30	1 3/8	1/2	5/8		18 3/4	5 1/2	6	3 1/8	17 1/4	17 1/4	2 7/8	8 3/8	16	1/2	5 1/2	3	16 3/4		2 1/2						7.5
4	48	36	2 1/4	3/4	1		24 7/8	7 1/4	7 7/8	3 1/8	23 1/8	18	3 3/4	11 1/8	21 1/4	5/8	7 1/8	4	22 3/8		3 3/8						12.0
5	48	36	2 1/4	3/4	1		24 7/8	7 1/4	7 7/8	3 1/8	23 1/8	18	3 3/4	11 1/8	21 1/4	5/8	7 1/8	4	22 3/8		3 3/8						12.0

STANDARD SIGN  
R3-8 (H) Arrow

WISCONSIN DEPT OF TRANSPORTATION

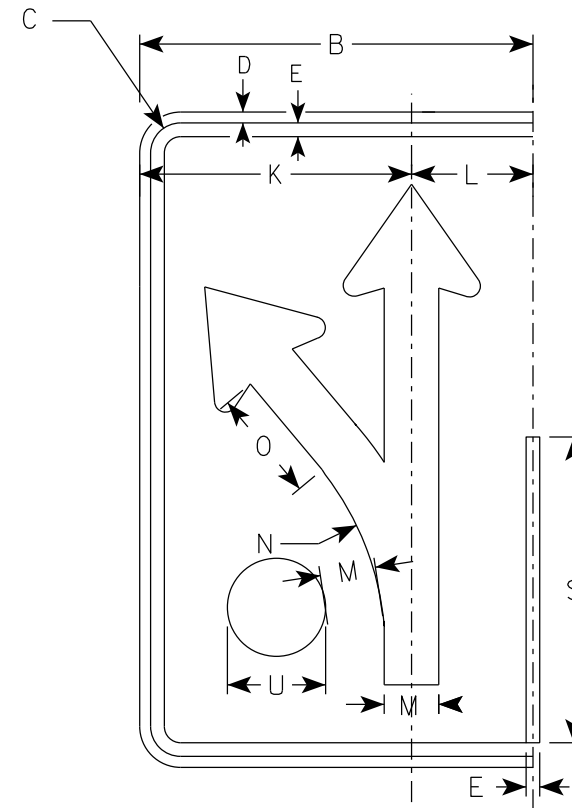
APPROVED *Matthew R Rauch*  
For State Traffic Engineer

DATE 5/21/19 PLATE NO. R3-8.1

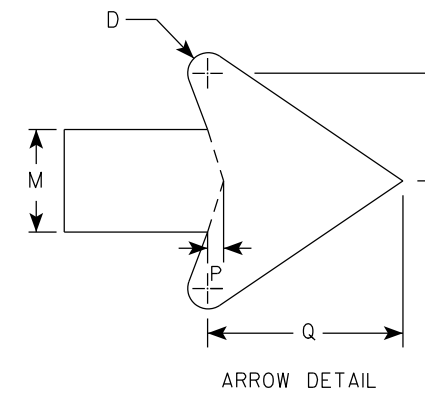
PROJECT NO: \_\_\_\_\_ HWY: \_\_\_\_\_ COUNTY: \_\_\_\_\_ SHEET NO: **E**

NOTES

1. Sign is Type II - Type H Reflective
2. Color:  
Background - White  
Message - Black
3. Message Series - None



( I )



ARROW DETAIL

SIZE	A	B	C	D	E	F	G	H	I	J	K	L	M	N	O	P	Q	R	S	T	U	V	W	X	Y	Z	Area sq. ft.
1																											
2S	30	18	1 3/8	1/2	5/8		18 1/4	4 3/4	3 1/4	3	12 1/2	5 1/2	2 1/2	13 1/4	5 1/8	3/8	4 3/4	2 5/8	14		2 1/8						3.75
2M	30	18	1 3/8	1/2	5/8		18 1/4	4 3/4	3 1/4	3	12 1/2	5 1/2	2 1/2	13 1/4	5 1/8	3/8	4 3/4	2 5/8	14		2 1/8						3.75
3	36	24	1 3/8	1/2	5/8		21 7/8	5 5/8	4	4 7/8	16 1/8	7 3/4	3	15 7/8	6 1/8	1/2	5 3/4	3 1/8	16 3/4		2 1/2						6.0
4	48	30	2 1/4	3/4	1		29 1/8	7 1/2	5 1/4	5 3/8	20 1/2	9 1/2	4	21 1/4	8 1/4	5/8	7 5/8	4 1/4	22 3/8		3 3/8						10.0
5	48	30	2 1/4	3/4	1		29 1/8	7 1/2	5 1/4	5 3/8	20 1/2	9 1/2	4	21 1/4	8 1/4	5/8	7 5/8	4 1/4	22 3/8		3 3/8						10.0

STANDARD SIGN  
R3-8 (I) Arrow

WISCONSIN DEPT OF TRANSPORTATION

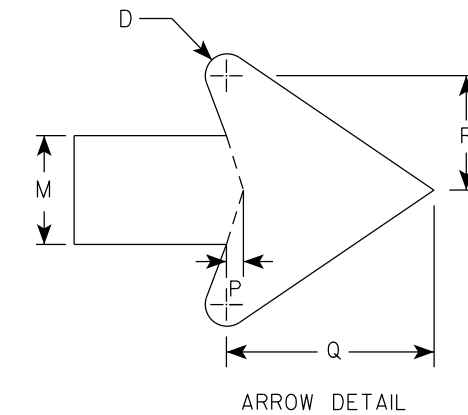
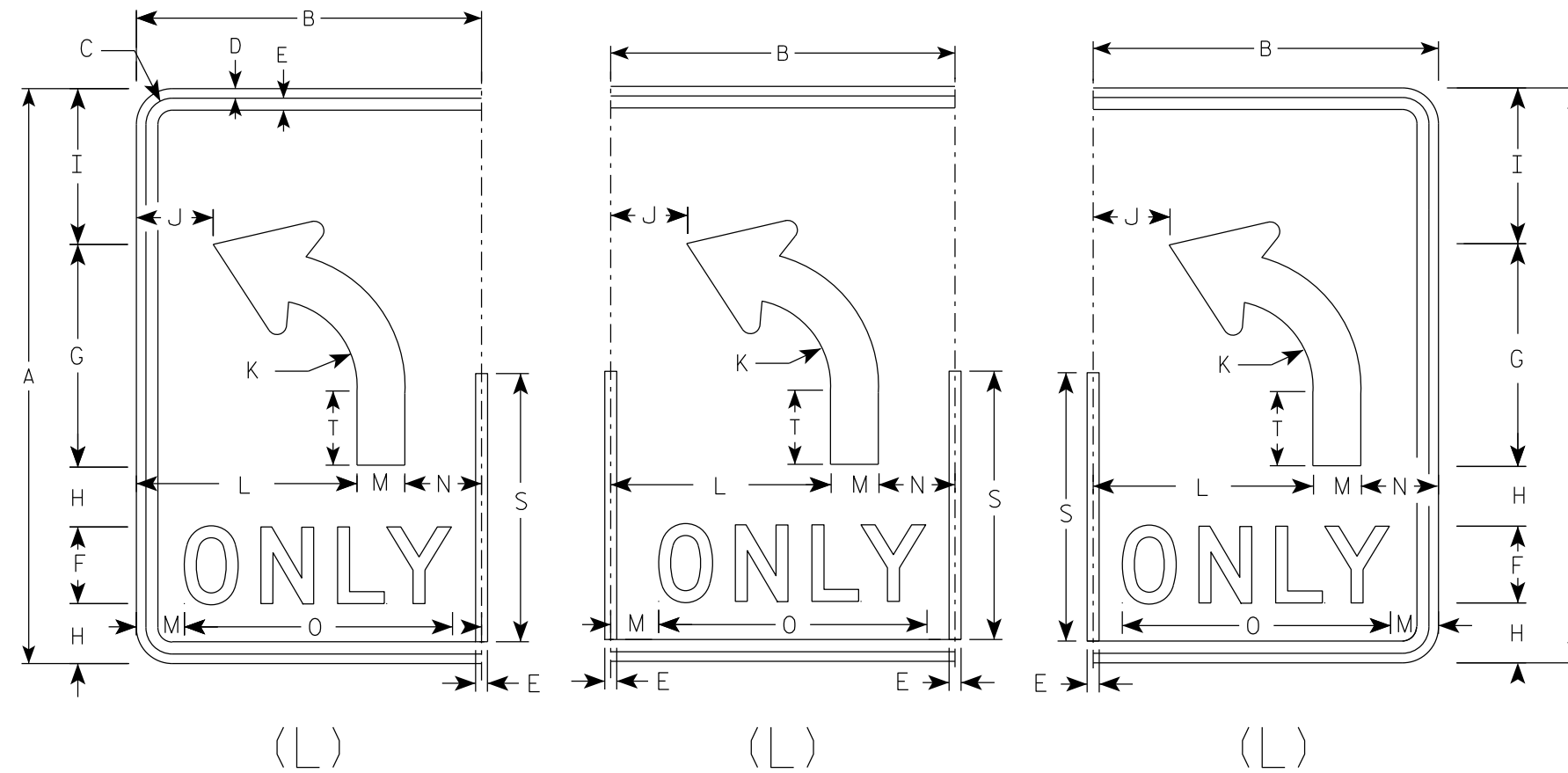
APPROVED *Matthew R. Rauch*  
for State Traffic Engineer

DATE 5/21/19 PLATE NO. R3-8.1

PROJECT NO: \_\_\_\_\_ HWY: \_\_\_\_\_ COUNTY: \_\_\_\_\_ SHEET NO: **E**

NOTES

1. Sign is Type II - Type H Reflective
2. Color:  
Background - White  
Message - Black
3. Message Series - D



7

7

SIZE	A	B	C	D	E	F	G	H	I	J	K	L	M	N	O	P	Q	R	S	T	U	V	W	X	Y	Z	Area sq. ft.
1																											
2S	30	18	1 3/8	1/2	5/8	4	11 5/8	3 1/8	8 1/8	4	4 1/2	11 1/2	2 1/2	4	14	3/8	4 3/4	2 5/8	14	3 7/8							3.75
2M	30	18	1 3/8	1/2	5/8	4	11 5/8	3 1/8	8 1/8	4	4 1/2	11 1/2	2 1/2	4	14	3/8	4 3/4	2 5/8	14	3 7/8							3.75
3	36	24	1 3/8	1/2	5/8	5	14	3 1/2	9 3/4		5 3/8	15	3	6	17 5/8	1/2	5 3/4	3 1/8	16 3/4	4 5/8							6.0
4	48	30	2 1/4	3/4	1	6	18 5/8	5 1/8	13 1/8	6 1/8	7 1/4	18	4	8	21 3/4	5/8	7 5/8	4 1/4	22 3/8	6 1/4							10.0
5	48	30	2 1/4	3/4	1	6	18 5/8	5 1/8	13 1/8	6 1/8	7 1/4	18	4	8	21 3/4	5/8	7 5/8	4 1/4	22 3/8	6 1/4							10.0

STANDARD SIGN  
R3-8 (L) Arrow

WISCONSIN DEPT OF TRANSPORTATION

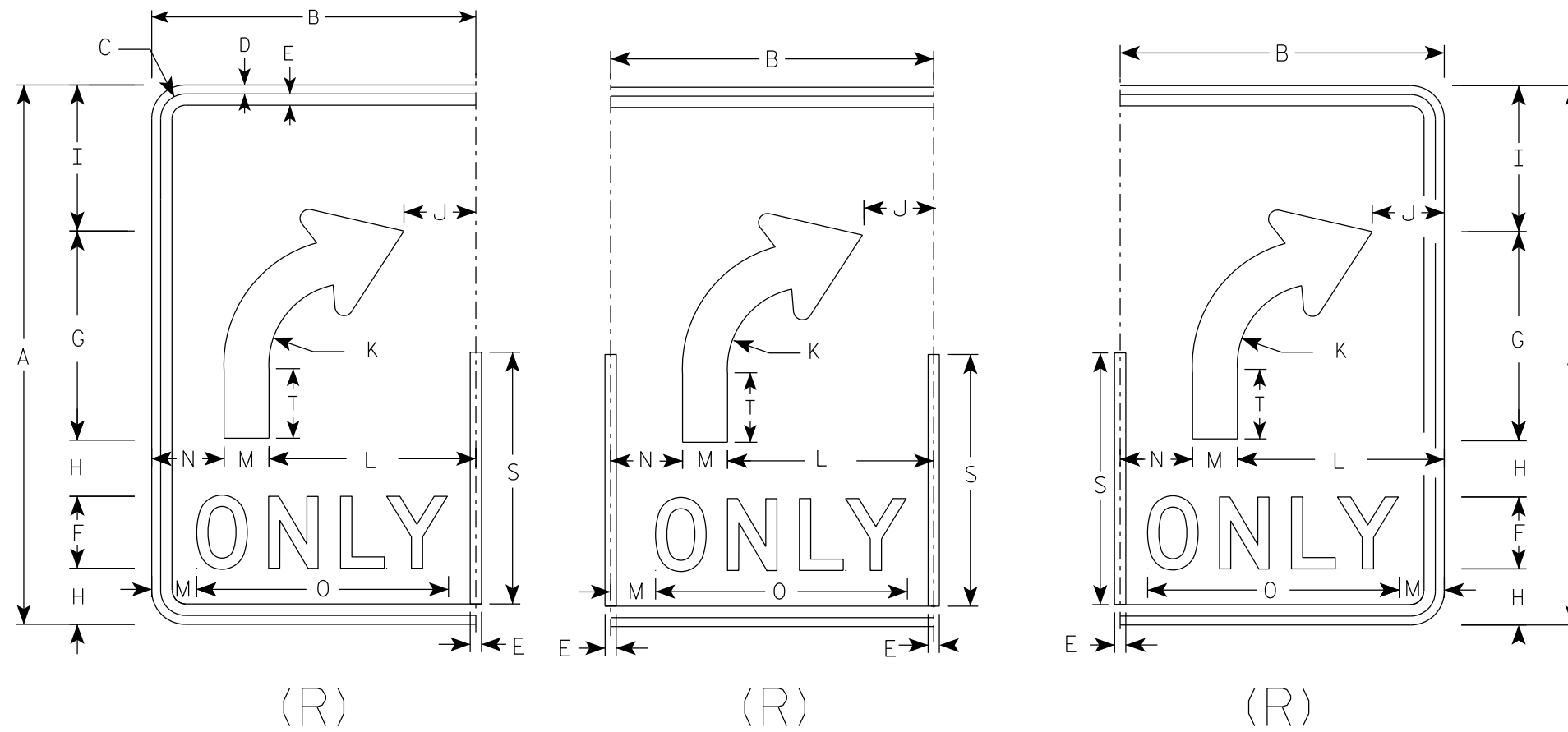
APPROVED *Matthew R. Rauch*  
for State Traffic Engineer

DATE 5/21/19 PLATE NO. R3-8.1

PROJECT NO: SHEET NO: E

NOTES

1. Sign is Type II - Type H Reflective
2. Color:  
Background - White  
Message - Black
3. Message Series - D



7

7

SIZE	A	B	C	D	E	F	G	H	I	J	K	L	M	N	O	P	Q	R	S	T	U	V	W	X	Y	Z	Area sq. ft.
1																											
2S	30	18	1 3/8	1/2	5/8	4	11 5/8	3 1/8	8 1/8	4	4 1/2	11 1/2	2 1/2	4	14	3/8	4 3/4	2 5/8	14	3 7/8							3.75
2M	30	18	1 3/8	1/2	5/8	4	11 5/8	3 1/8	8 1/8	4	4 1/2	11 1/2	2 1/2	4	14	3/8	4 3/4	2 5/8	14	3 7/8							3.75
3	36	24	1 3/8	1/2	5/8	5	14	3 1/2	9 3/4	6	5 3/8	15	3	6	17 5/8	1/2	5 3/4	3 1/8	16 3/4	4 5/8							6.0
4	48	30	2 1/4	3/4	1	6	18 5/8	5 1/8	13 1/8	6 1/8	7 1/4	18	4	8	21 3/4	5/8	7 5/8	4 1/4	22 3/8	6 1/4							10.0
5	48	30	2 1/4	3/4	1	6	18 5/8	5 1/8	13 1/8	6 1/8	7 1/4	18	4	8	21 3/4	5/8	7 5/8	4 1/4	22 3/8	6 1/4							10.0

STANDARD SIGN  
R3-8 (R) Arrow

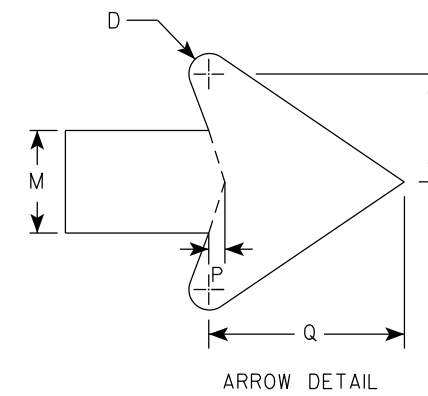
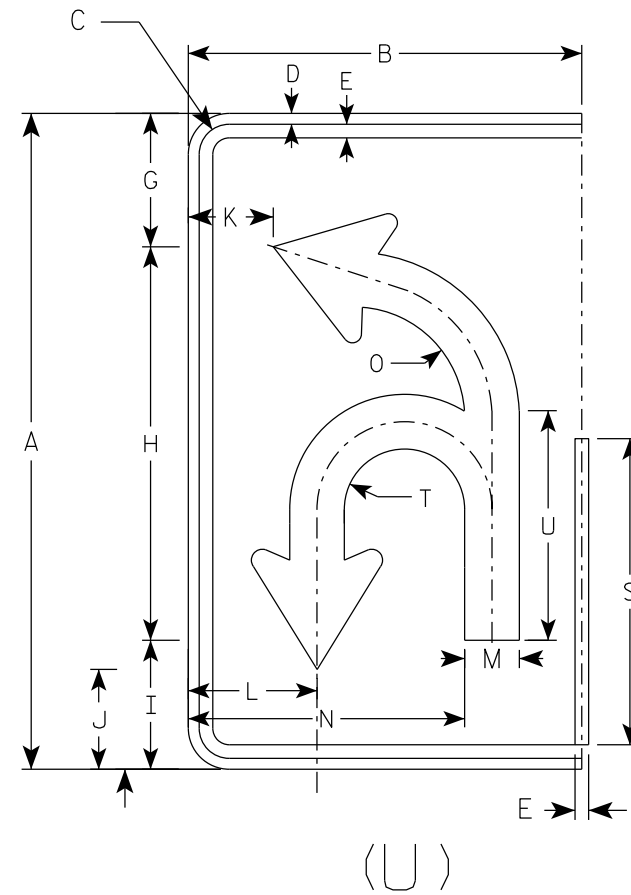
WISCONSIN DEPT OF TRANSPORTATION

APPROVED *Matthew R Rauch*  
for State Traffic Engineer

DATE 5/21/19 PLATE NO. R3-8.1

NOTES

1. Sign is Type II - Type H Reflective
2. Color:  
Background - White  
Message - Black
3. Message Series - None



SIZE	A	B	C	D	E	F	G	H	I	J	K	L	M	N	O	P	Q	R	S	T	U	V	W	X	Y	Z	Area sq. ft.
1																											
2S	30	18	1 3/8	1/2	5/8		6 1/8	18	5 7/8	4 5/8	3 7/8	5 7/8	2 1/2	12 5/8	5 1/8	3/8	4 3/4	2 5/8	14	2 3/4	10 1/2						3.75
2M	30	18	1 3/8	1/2	5/8		6 1/8	18	5 7/8	4 5/8	3 7/8	5 7/8	2 1/2	12 5/8	5 1/8	3/8	4 3/4	2 5/8	14	2 3/4	10 1/2						3.75
3	36	24	1 3/8	1/2	5/8		21 7/8	21 5/8	7 1/8	5 1/2	5 7/8	8 1/4	3	16 3/8	6 1/8	1/2	5 3/4	3 1/8	16 3/4	3 1/4	12 5/8						6.0
4	48	30	2 1/4	3/4	1		29 1/8	28 3/4	9 3/8	7 1/4	6 7/8	10	4	20 7/8	8 1/8	5/8	7 5/8	4 1/4	22 3/8	4 3/8	16 3/4						10.0
5	48	30	2 1/4	3/4	1		29 1/8	28 3/4	9 3/8	7 1/4	6 7/8	10	4	20 7/8	8 1/8	5/8	7 5/8	4 1/4	22 3/8	4 3/8	16 3/4						10.0

STANDARD SIGN  
R3-8 (U) Arrow

WISCONSIN DEPT OF TRANSPORTATION

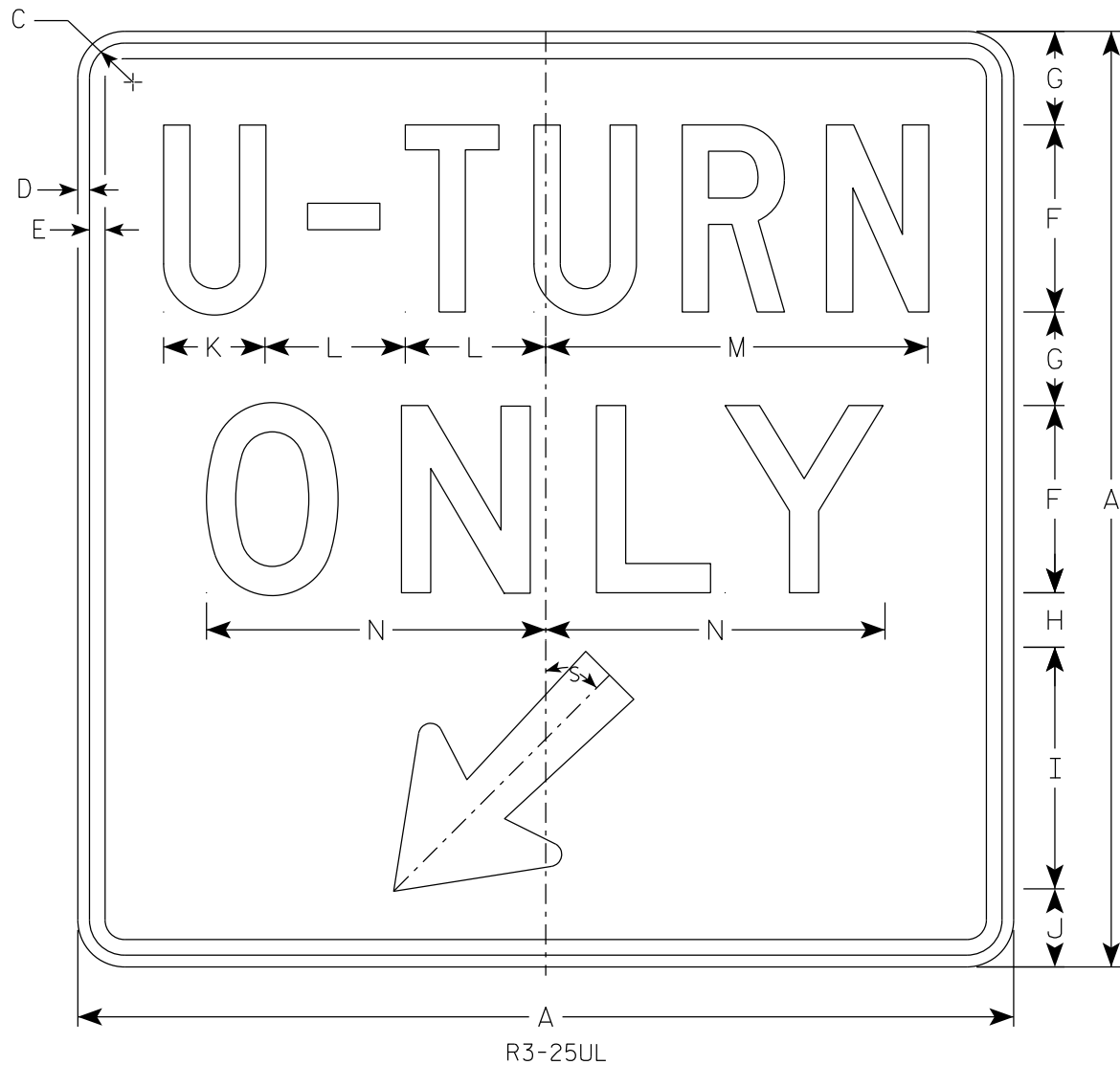
APPROVED *Matthew R Rauch*  
for State Traffic Engineer

DATE 5/21/19 PLATE NO. R3-8.1

PROJECT NO: \_\_\_\_\_ HWY: \_\_\_\_\_ COUNTY: \_\_\_\_\_ SHEET NO: **E**

7

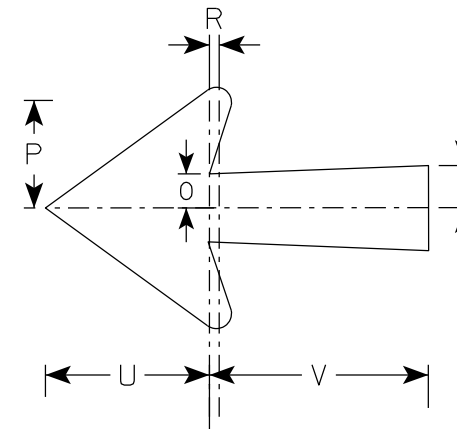
7



R3-25UL

NOTES

1. Sign is Type II - Type H Reflective
2. Color:  
Background - White  
Message - Black
3. Message Series - C Line 1, Series D Line 2
4. R3-25UR is same as R3-25L except the arrow is reversed along vertical centerline.



Arrow Detail

SIZE	A	B	C	D	E	F	G	H	I	J	K	L	M	N	O	P	Q	R	S	T	U	V	W	X	Y	Z	Area sq. ft.
1																											
2S	24		1 1/8	3/8	1/2	4	2 1/4	1 5/8	7 3/4	2 1/8	3	3	8 3/8	7	7/8	2 3/4	5	1/4	45°	1 1/8	4 1/4	5 5/8				4.0	
2M	30		1 1/8	3/8	1/2	6	3	1 3/4	7 3/4	2 1/2	3 1/4	4 1/2	12 1/4	10 7/8	7/8	2 3/4	5	1/4	45°	1 1/8	4 1/4	5 5/8				6.25	
3																											
4																											
5																											

STANDARD SIGN  
R3-25U

WISCONSIN DEPT OF TRANSPORTATION

APPROVED *Matthew R. Rauch*  
for State Traffic Engineer

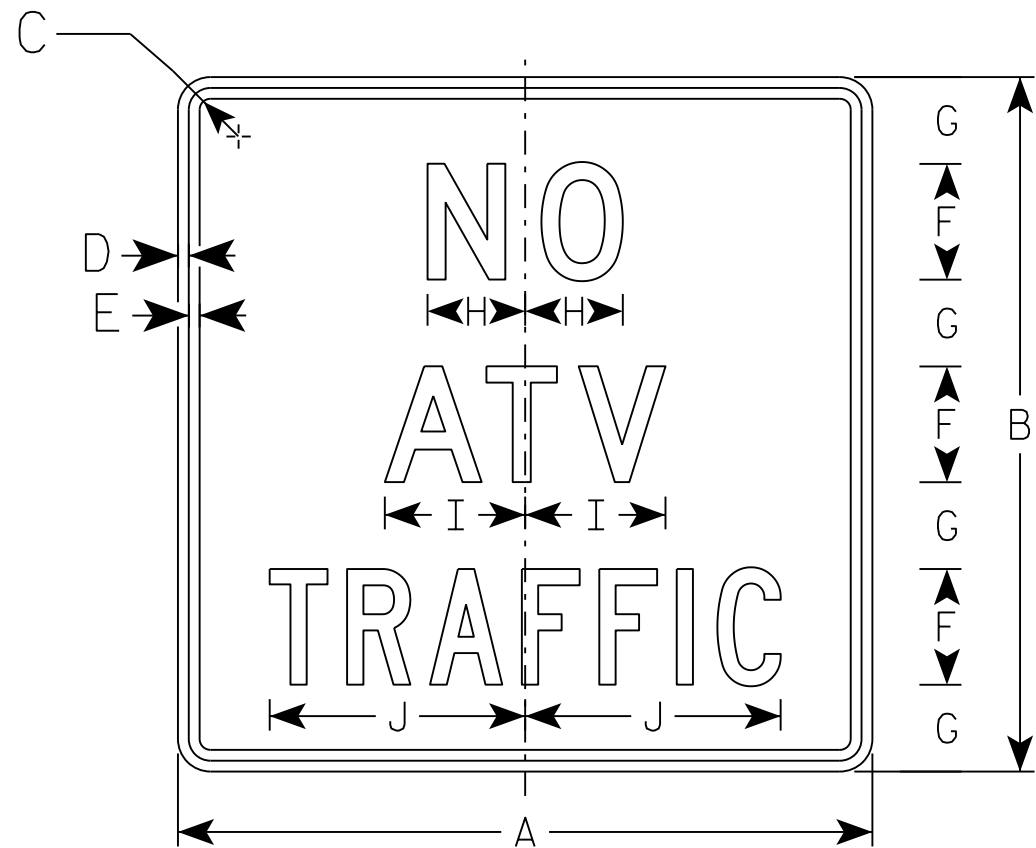
DATE 3/27/19 PLATE NO. R3-25U.2

7

7

NOTES

1. Sign is Type II - Type H Reflective
2. Color: Background - White  
Message - Black
3. Message Series - Line 1 and 2 Series D  
Line 3 Series C



R5-51

7

7

SIZE	A	B	C	D	E	F	G	H	I	J	K	L	M	N	O	P	Q	R	S	T	U	V	W	X	Y	Z	Area sq. ft.
1																											
2S	24	24	1 1/8	3/8	3/8	4	3	3 3/8	4 7/8	8 7/8																	4.0
2M	24	24	1 1/8	3/8	3/8	4	3	3 3/8	4 7/8	8 7/8																	4.0
3																											
4																											
5																											

STANDARD SIGN  
R5-51

---

WISCONSIN DEPT OF TRANSPORTATION

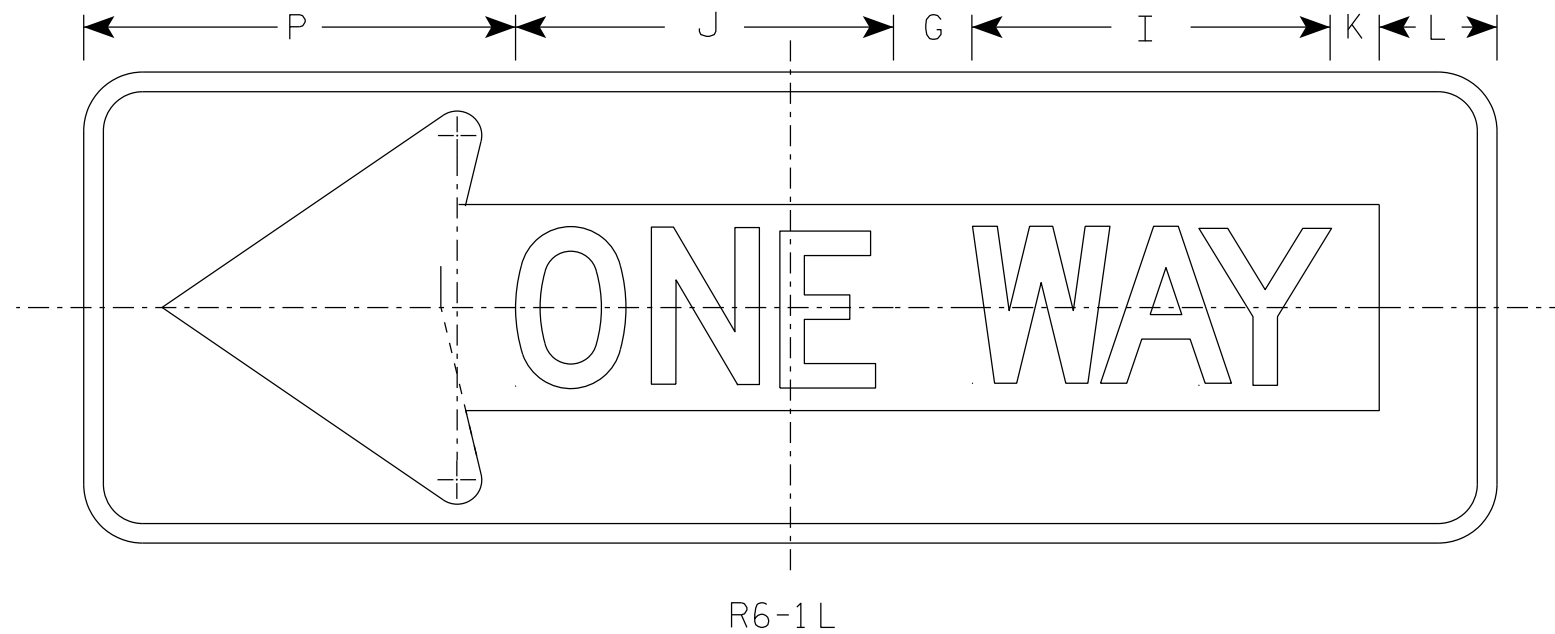
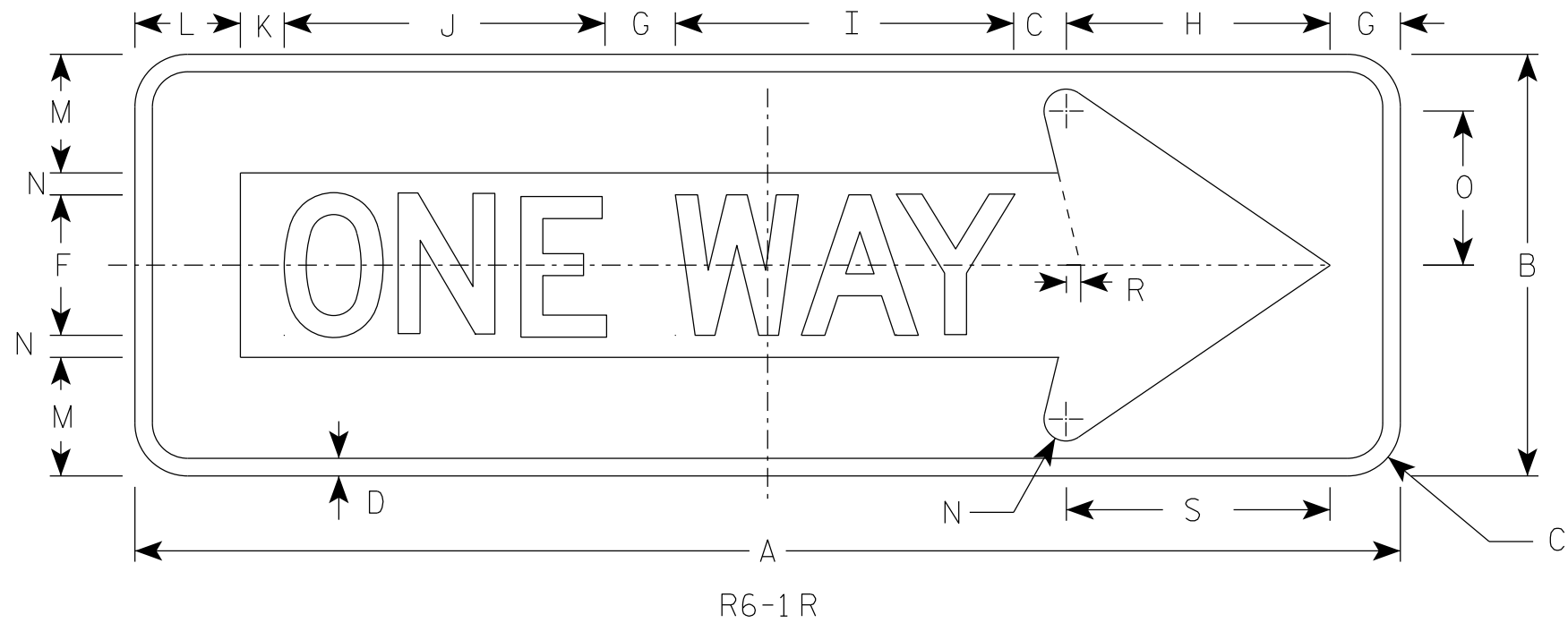
APPROVED *Matthew R Rauch*  
For State Traffic Engineer

DATE 5/16/18 PLATE NO. R5-51.1

PROJECT NO: \_\_\_\_\_ HWY: \_\_\_\_\_ COUNTY: \_\_\_\_\_ SHEET NO: \_\_\_\_\_ **E**

NOTES

1. Sign is Type II - Type H Reflective
2. Color:  
Background - BLACK  
Message - BLACK LEGEND & WHITE ARROW & BORDER
3. Message Series - D



SIZE	A	B	C	D	E	F	G	H	I	J	K	L	M	N	O	P	Q	R	S	T	U	V	W	X	Y	Z	Area sq. ft.
1																											
2S	36	12	1 1/2	1/2		4	2	7 1/2	9 5/8	9 1/8	1 1/4	3	3 3/8	5/8	4 3/8	11		3/8	7 1/2								3.0
2M	54	18	2 1/4	3/4		6	3	11 1/4	13 5/8	14 1/2	1 7/8	4 1/2	5	1	6 1/2	16 1/2		5/8	11 1/4								6.75
3	54	18	2 1/4	3/4		6	3	11 1/4	13 5/8	14 1/2	1 7/8	4 1/2	5	1	6 1/2	16 1/2		5/8	11 1/4								6.75
4	54	18	2 1/4	3/4		6	3	11 1/4	13 5/8	14 1/2	1 7/8	4 1/2	5	1	6 1/2	16 1/2		5/8	11 1/4								6.75
5																											

STANDARD SIGN  
R6-1 L & R

WISCONSIN DEPT OF TRANSPORTATION

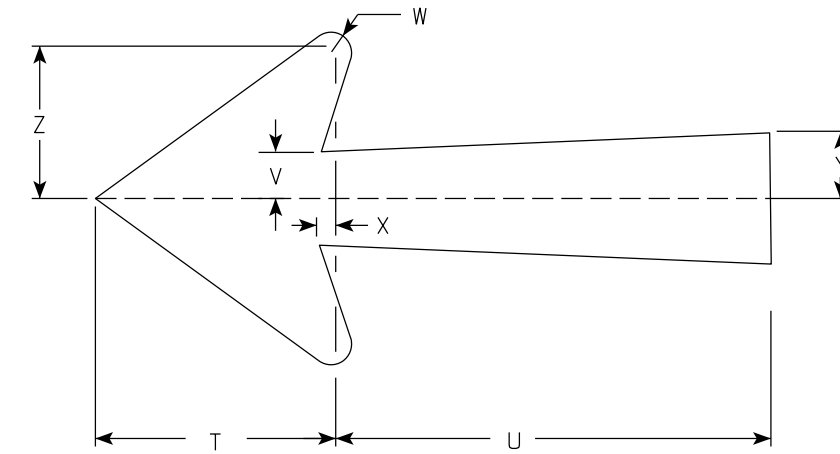
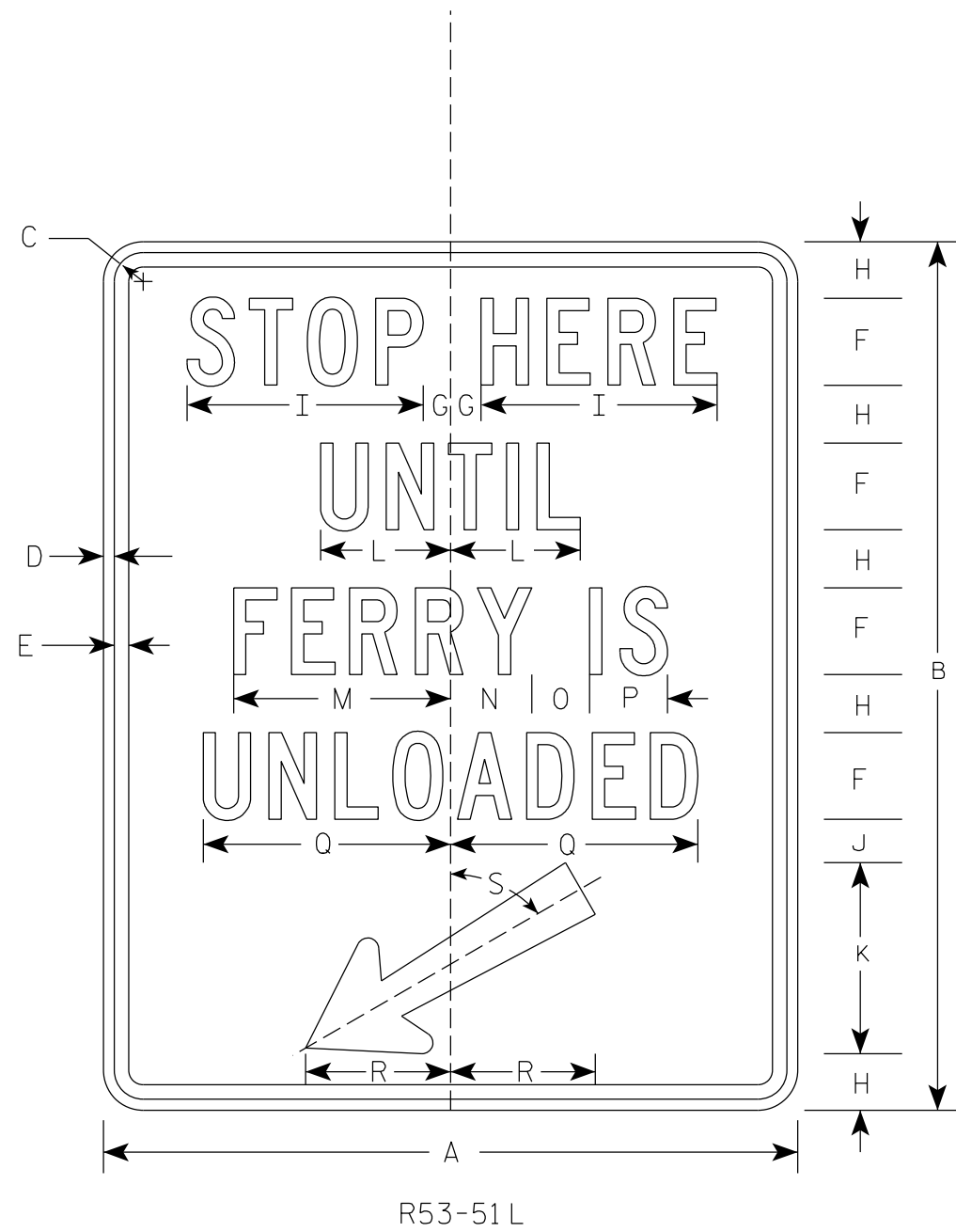
APPROVED *Matthew R. Rauch*  
For State Traffic Engineer

DATE 07/11/18 PLATE NO. R6-1.3



NOTES

1. All Signs Type II - Type H Reflective
2. Color:  
Background - White  
Message - Black
3. Message Series - C
4. R53-51R is same as R53-51L except that the arrow is reversed.



SIZE	A	B	C	D	E	F	G	H	I	J	K	L	M	N	O	P	Q	R	S	T	U	V	W	X	Y	Z	Area sq. ft.
1																											
2S	24	30	1 3/8	3/8	1/2	3	1	2	8 1/2	1 1/2	6 1/2	4 1/2	7 1/2	2 3/4	2	2 3/4	8 1/2	5	60°	5 1/4	9 3/8	1	1/2	3/8	1 3/8	3	5.0
2M	24	30	1 3/8	3/8	1/2	3	1	2	8 1/2	1 1/2	6 1/2	4 1/2	7 1/2	2 3/4	2	2 3/4	8 1/2	5	60°	5 1/4	9 3/8	1	1/2	3/8	1 3/8	3	5.0
3																											
4																											
5																											

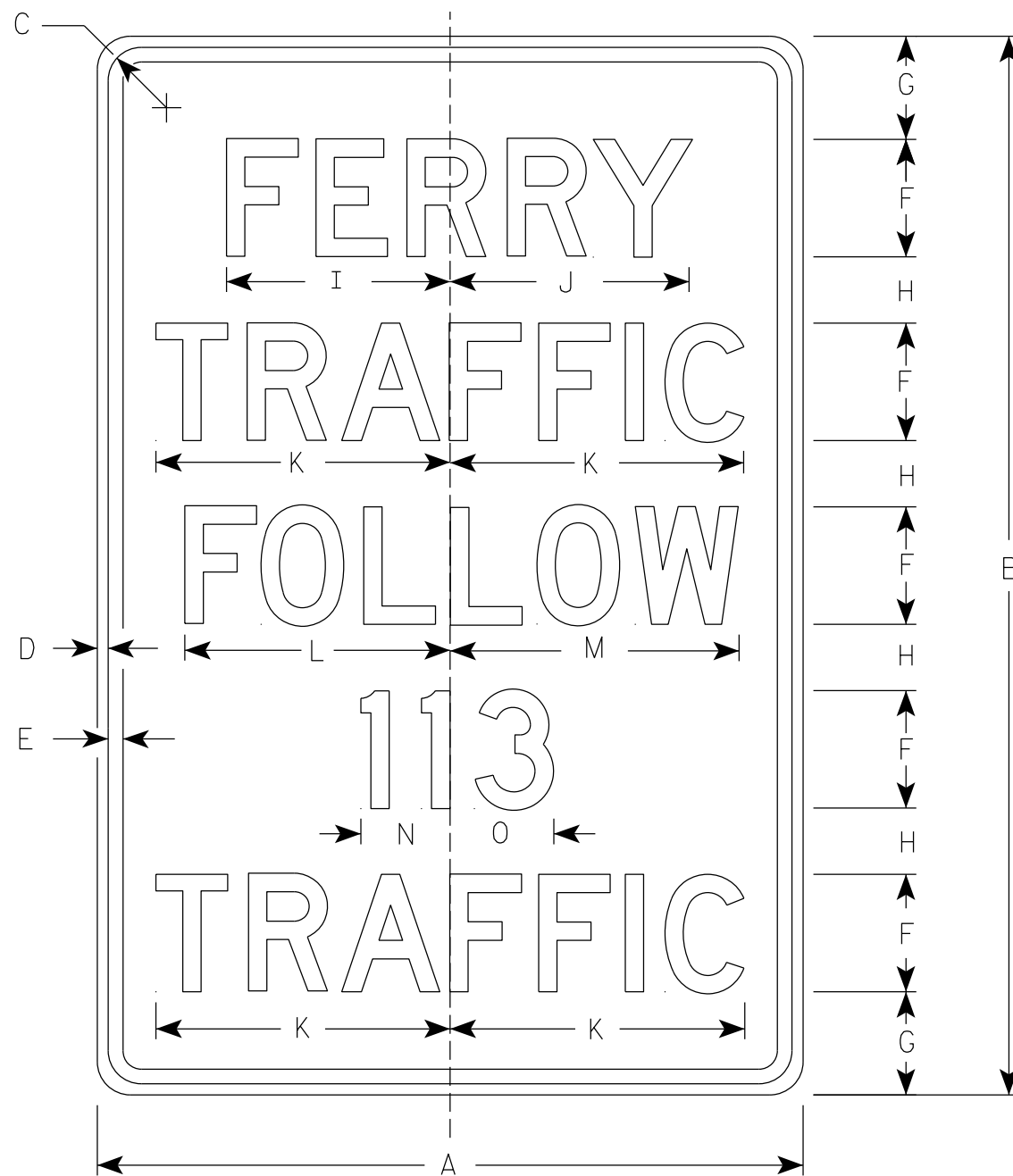
STANDARD SIGN  
R53-51

WISCONSIN DEPT OF TRANSPORTATION

APPROVED *Matthew R Rauch*  
for State Traffic Engineer

DATE 5/23/19 PLATE NO. R53-51.6

PROJECT NO: \_\_\_\_\_ HWY: \_\_\_\_\_ COUNTY: \_\_\_\_\_ SHEET NO: **E**



R53-52

NOTES

1. All Signs Type II - Type H Reflective
2. Color:  
Background - White  
Message - Black
3. Message Series - D

7

7

SIZE	A	B	C	D	E	F	G	H	I	J	K	L	M	N	O	P	Q	R	S	T	U	V	W	X	Y	Z	Area sq. ft.
1																											
2S	24	36	1 1/8	3/8	1/2	4	3 1/2	2 1/4	7 5/8	8 1/8	10	9	9 7/8	3	3 1/2												6.0
2M	24	36	1 1/8	3/8	1/2	4	3 1/2	2 1/4	7 5/8	8 1/8	10	9	9 7/8	3	3 1/2												6.0
3																											
4																											
5																											

STANDARD SIGN  
R53-52

WISCONSIN DEPT OF TRANSPORTATION

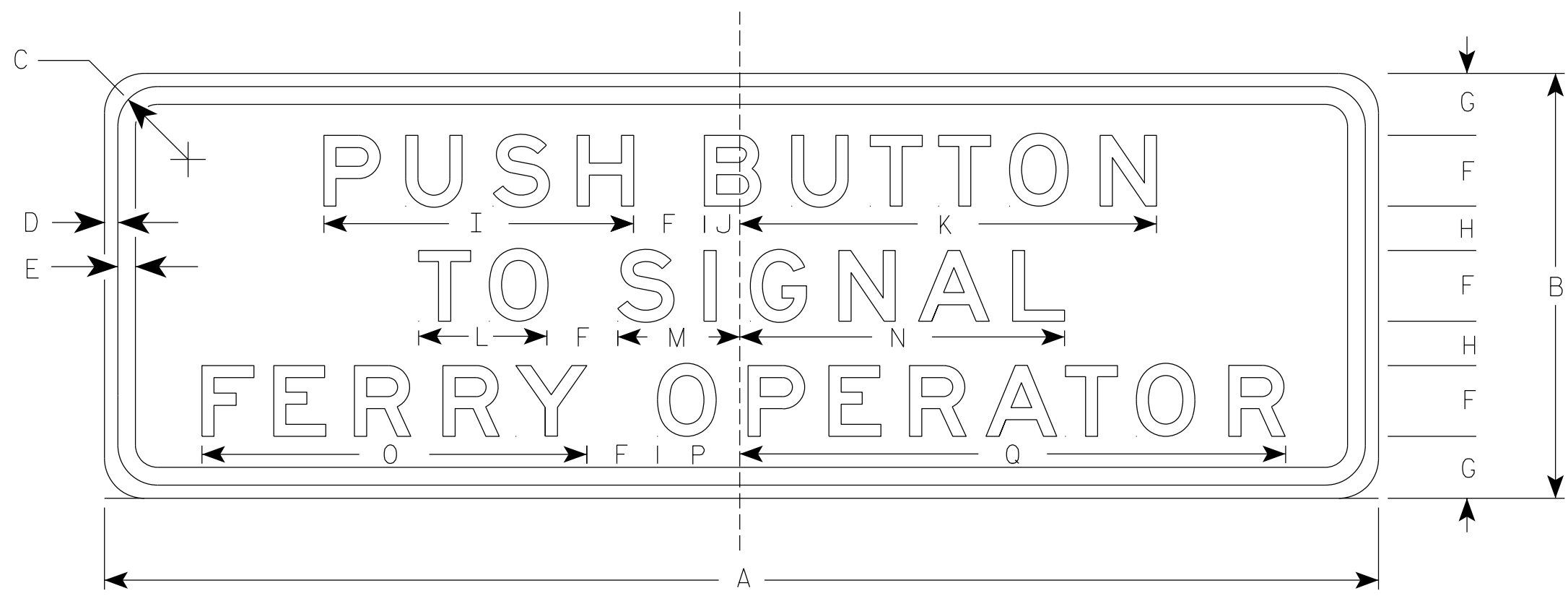
APPROVED *Matthew R. Rauch*  
for State Traffic Engineer

DATE 4/9/19 PLATE NO. R53-52.6

PROJECT NO: \_\_\_\_\_ HWY: \_\_\_\_\_ COUNTY: \_\_\_\_\_ SHEET NO: **E**

NOTES

1. All Signs Type II - Type H Reflective
2. Color:  
Background - White  
Message - Black
3. Message Series - E



R53-53

SIZE	A	B	C	D	E	F	G	H	I	J	K	L	M	N	O	P	Q	R	S	T	U	V	W	X	Y	Z	Area sq. ft.
1																											
2S	30	12	1 1/8	3/8	1/2	2	1 3/4	1 1/4	8 3/4	1	11 3/4	3 5/8	3 1/2	9 1/8	10 7/8	2 3/8	15 3/8										2.50
2M	30	12	1 1/8	3/8	1/2	2	1 3/4	1 1/4	8 3/4	1	11 3/4	3 5/8	3 1/2	9 1/8	10 7/8	2 3/8	15 3/8										2.50
3																											
4																											
5																											

STANDARD SIGN  
R53-53

WISCONSIN DEPT OF TRANSPORTATION

APPROVED *Matthew R Rauch*  
for  
State Traffic Engineer

DATE 4/9/19 PLATE NO. R53-53.6

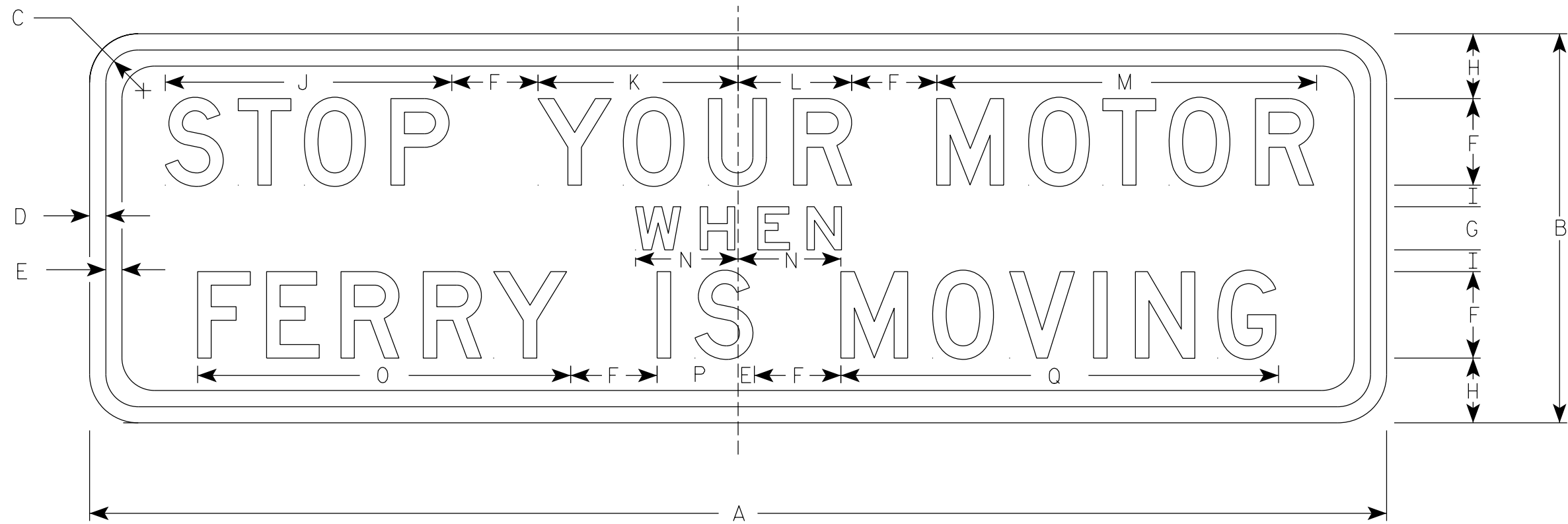
PROJECT NO: \_\_\_\_\_ HWY: \_\_\_\_\_ COUNTY: \_\_\_\_\_ SHEET NO: **E**

7

7

NOTES

1. All Signs Type II - Type H Reflective
2. Color:  
Background - White  
Message - Black
3. Message Series - See Note 4
4. Message Series - Lines 1 & 3 are Series D & Line 2 is Series E.



R53-55

SIZE	A	B	C	D	E	F	G	H	I	J	K	L	M	N	O	P	Q	R	S	T	U	V	W	X	Y	Z	Area sq. ft.
1																											
2S	30	9	1 1/8	3/8	3/8	2	1	1 1/2	1/2	6 5/8	4 5/8	2 5/8	8 3/4	2 3/8	8 5/8	1 7/8	10 1/8										1.88
2M	30	9	1 1/8	3/8	3/8	2	1	1 1/2	1/2	6 5/8	4 5/8	2 5/8	8 3/4	2 3/8	8 5/8	1 7/8	10 1/8										1.88
3																											
4																											
5																											

STANDARD SIGN  
R53-55

WISCONSIN DEPT OF TRANSPORTATION

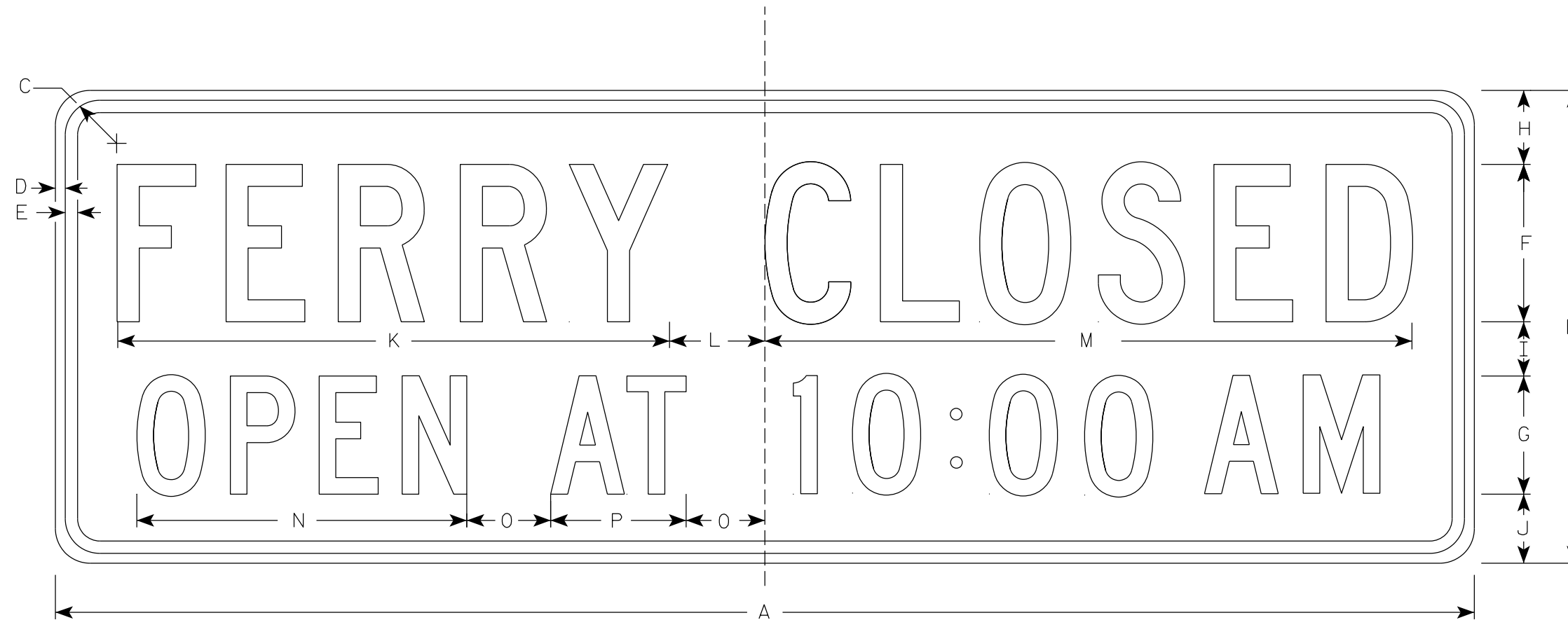
APPROVED *Matthew R Rauch*  
for State Traffic Engineer

DATE 4/9/19 PLATE NO. R53-55.7

PROJECT NO: \_\_\_\_\_ HWY: \_\_\_\_\_ COUNTY: \_\_\_\_\_ SHEET NO: **E**

NOTES

1. Sign is Type II - Type H Reflective
2. Color:  
Background - White  
Message - Black
3. Message Series - C
4. Substitute appropriate numerals for hours and  
and adjust spacing to achieve proper balance.



R53-56

SIZE	A	B	C	D	E	F	G	H	I	J	K	L	M	N	O	P	Q	R	S	T	U	V	W	X	Y	Z	Area sq. ft.
1																											
2S	72	24	1 3/4	1/2	5/8	8	6	3 3/4	2 3/4	3 1/2	24 1/8	3 1/2	29 1/8	15 1/2	6 3/4											12.00	
2M	72	24	1 3/4	1/2	5/8	8	6	3 3/4	2 3/4	3 1/2	24 1/8	3 1/2	29 1/8	15 1/2	6 3/4											12.00	
3																											
4																											
5																											

STANDARD SIGN  
R53-56

WISCONSIN DEPT OF TRANSPORTATION

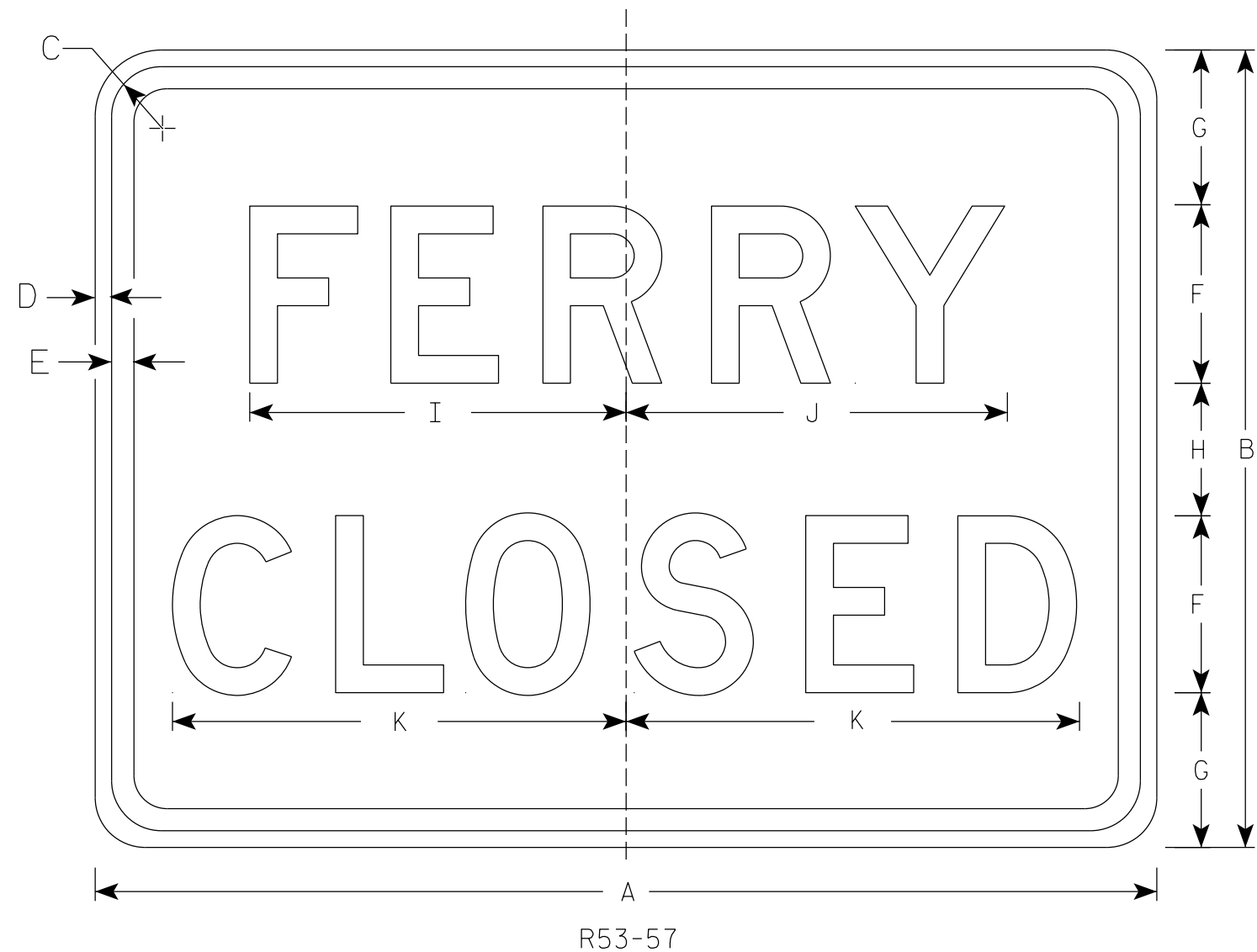
APPROVED *Matthew R. Rauch*  
For State Traffic Engineer

DATE 4/9/19 PLATE NO. R53-56.5

PROJECT NO: \_\_\_\_\_ HWY: \_\_\_\_\_ COUNTY: \_\_\_\_\_ SHEET NO: **E**

NOTES

1. Sign is Type II - Type F Reflective
2. Color:  
Background - Yellow  
Message - Black
3. Message Series - D



SIZE	A	B	C	D	E	F	G	H	I	J	K	L	M	N	O	P	Q	R	S	T	U	V	W	X	Y	Z	Area sq. ft.
1																											
2S	24	18	1 1/8	3/8	1/2	4	3 1/2	3	8 1/2	8 5/8	10 1/4																3.0
2M	24	18	1 1/8	3/8	1/2	4	3 1/2	3	8 1/2	8 5/8	10 1/4																3.0
3																											
4																											
5																											

STANDARD SIGN  
R53-57

WISCONSIN DEPT OF TRANSPORTATION

APPROVED *Matthew R Rauch*  
for  
State Traffic Engineer

DATE 4/18/19 PLATE NO. R53.57.3

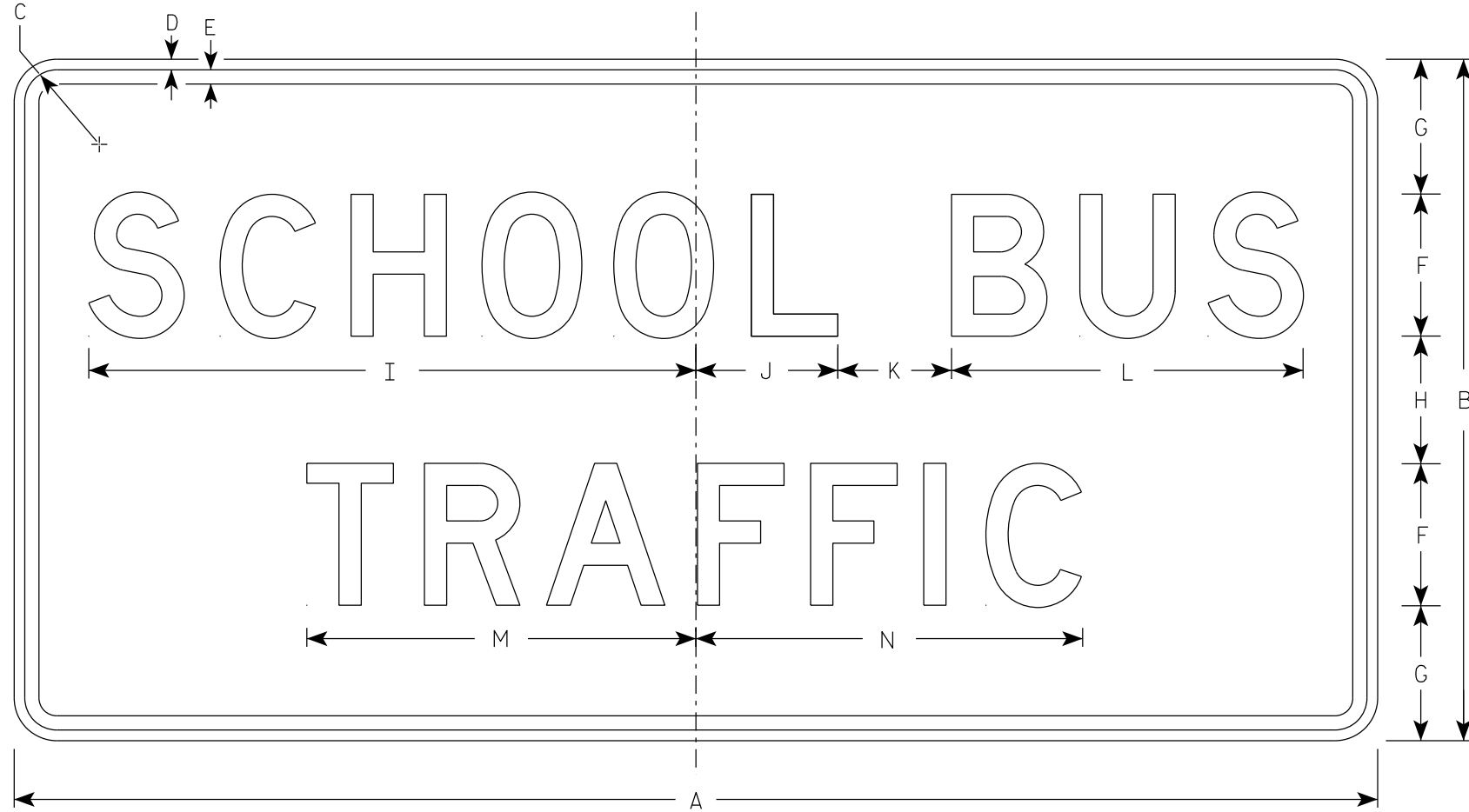
PROJECT NO: \_\_\_\_\_ HWY: \_\_\_\_\_ COUNTY: \_\_\_\_\_ SHEET NO: **E**

7

7

NOTES

1. Sign is Type II - Type F Reflective
2. Color:  
Background - Yellow-Green  
Message - Black
3. Message Series - D



S3-51

7

7

SIZE	A	B	C	D	E	F	G	H	I	J	K	L	M	N	O	P	Q	R	S	T	U	V	W	X	Y	Z	Area sq. ft.
1																											
2S	48	24	1 3/8	1/2	5/8	5	4 3/4	4 1/2	21 3/8	5	4	12 3/8	14	13 5/8													8.0
2M	48	24	1 3/8	1/2	5/8	5	4 3/4	4 1/2	21 3/8	5	4	12 3/8	14	13 5/8													8.0
3	84	36	1 3/8	1/2	5/8	8	7	6	35 7/8	8	7	20 7/8	22 5/8	22 5/8													21.0
4	96	48	2 1/4	3/4	1	10	9 1/2	9	42 3/4	10	8	24 3/4	27 3/8	27 1/8													32.0
5																											

STANDARD SIGN  
S3-51

WISCONSIN DEPT OF TRANSPORTATION

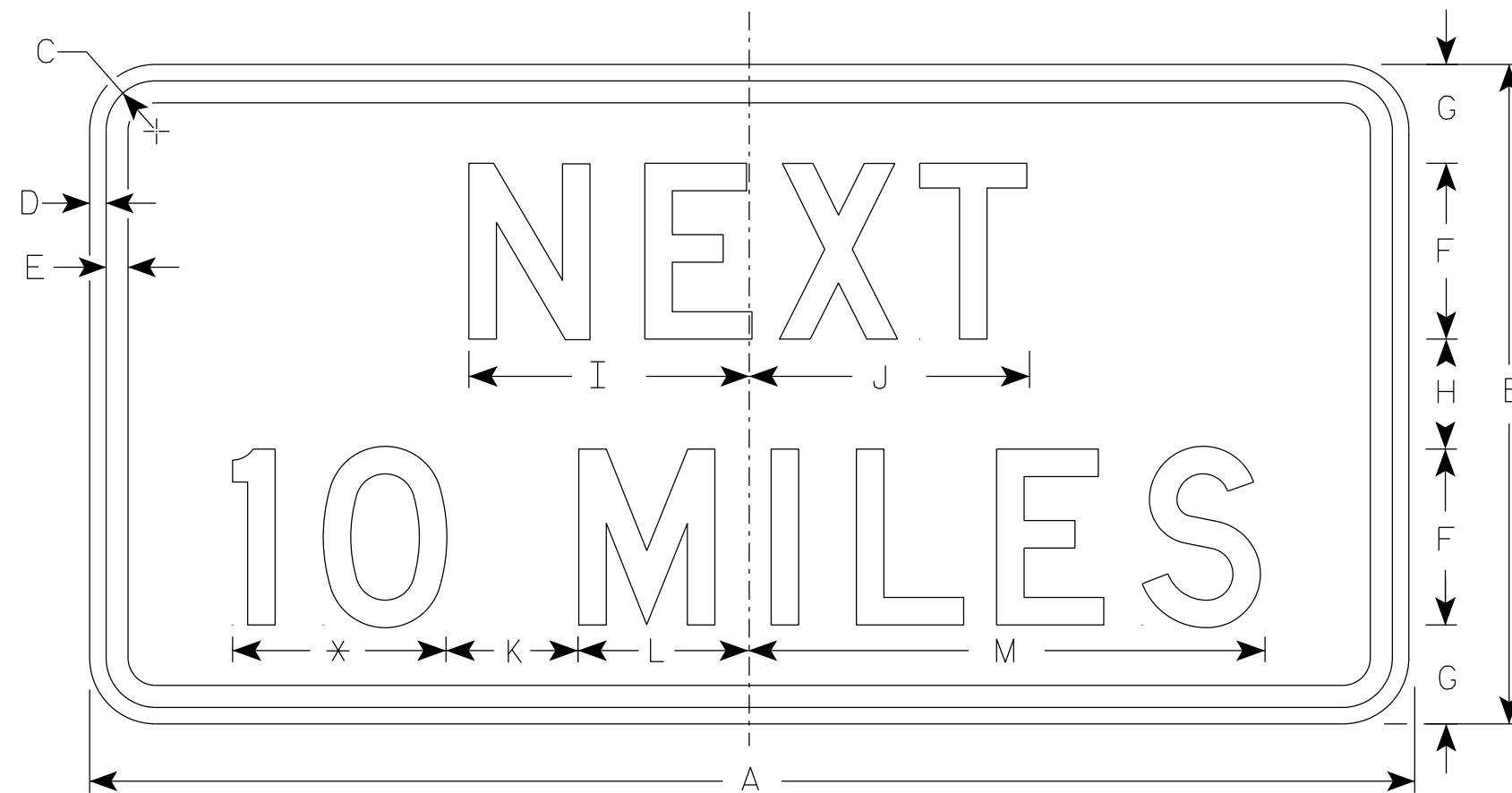
APPROVED *Matthew R. Rauch*  
For State Traffic Engineer

DATE 5/1/19 PLATE NO. S3-51.5

PROJECT NO: \_\_\_\_\_ HWY: \_\_\_\_\_ COUNTY: \_\_\_\_\_ SHEET NO: **E**

NOTES

1. Sign is Type II - Type F Reflective
2. Color:  
Background - Yellow-Green  
Message - Black
3. Message Series - D
4. Corners and borders shall be rounded.
5. Round distance to nearest whole Mile and substitute appropriate numerals and optically adjust spacing to achieve proper balance.



S57-51

\* See note 5

7

7

SIZE	A	B	C	D	E	F	G	H	I	J	K	L	M	N	O	P	Q	R	S	T	U	V	W	X	Y	Z	Area sq. ft.
1																											
2S	36	18	1 1/8	3/8	1/2	5	2 3/4	2 1/2	7 7/8	8	5	4 1/8	15 3/8														4.5
2M	36	18	1 1/8	3/8	1/2	5	2 3/4	2 1/2	7 7/8	8	5	4 1/8	15 3/8														4.5
3	48	24	1 3/8	1/2	5/8	6	4	4	10	10 1/8	6	5 5/8	19														8.0
4	48	24	1 3/8	1/2	5/8	6	4	4	10	10 1/8	6	5 5/8	19														8.0
5																											

STANDARD SIGN  
S57-51

WISCONSIN DEPT OF TRANSPORTATION

APPROVED *Matthew R. Rauch*  
for State Traffic Engineer

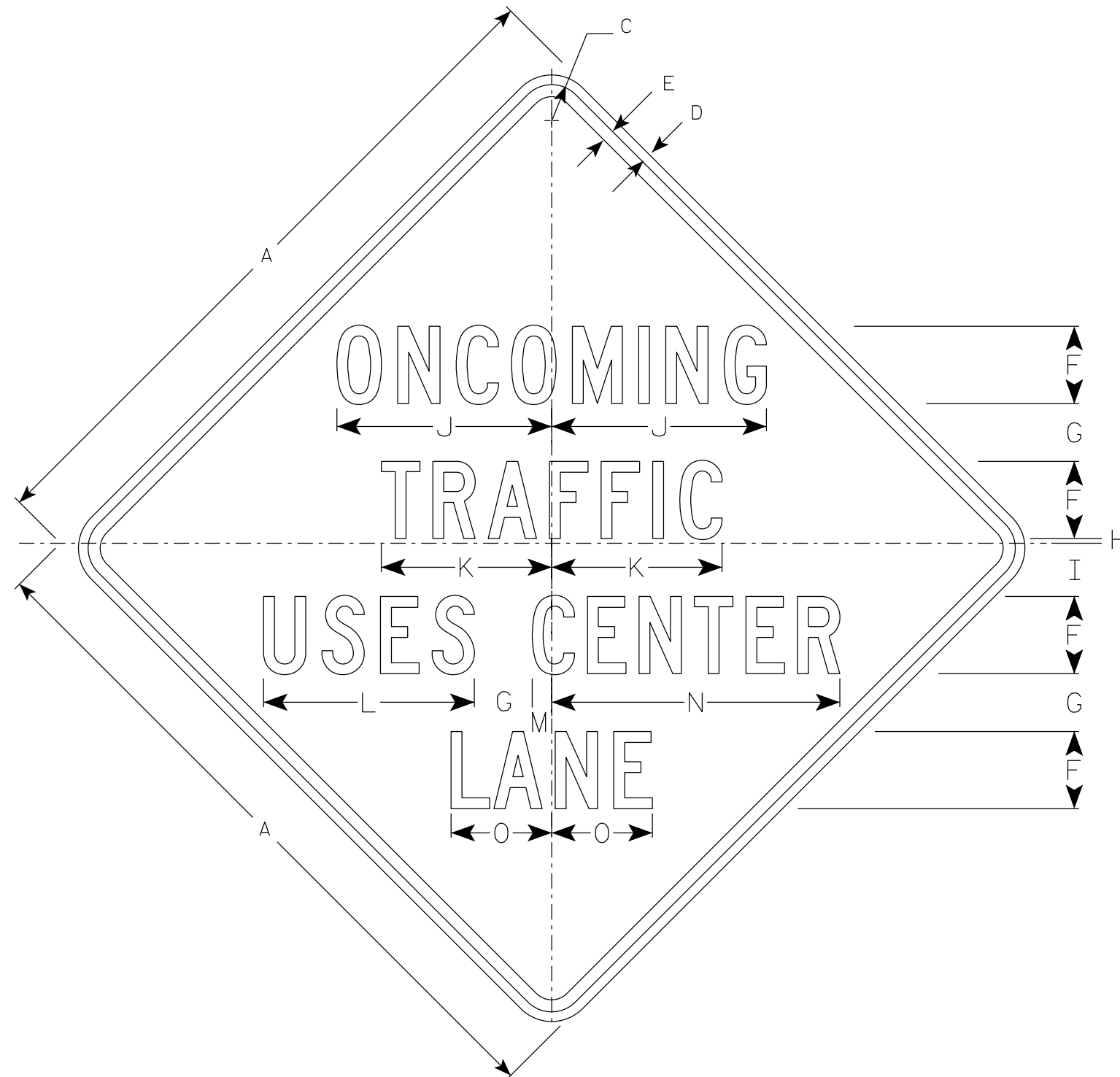
DATE 5/1/19 PLATE NO. S57-51.3

PROJECT NO: \_\_\_\_\_ HWY: \_\_\_\_\_ COUNTY: \_\_\_\_\_ SHEET NO: **E**



NOTES

1. Sign is Type II - Type F Reflective
2. Color:  
Background - Yellow  
Message - Black
3. Message Series - C



W6-60

SIZE	A	B	C	D	E	F	G	H	I	J	K	L	M	N	O	P	Q	R	S	T	U	V	W	X	Y	Z	Area sq. ft.
1																											
2S	36		1 3/8	1/2	5/8	4	3	1/4	2 3/4	11 1/8	8 7/8	10 7/8	1	14 7/8	5 1/4												9.0
2M	36		1 3/8	1/2	5/8	4	3	1/4	2 3/4	11 1/8	8 7/8	10 7/8	1	14 7/8	5 1/4												9.0
3																											
4																											
5																											

STANDARD SIGN  
W6-60

WISCONSIN DEPT OF TRANSPORTATION

APPROVED *Matthew R. Rauch*  
for State Traffic Engineer

DATE 5/16/19 PLATE NO. W6-60.1

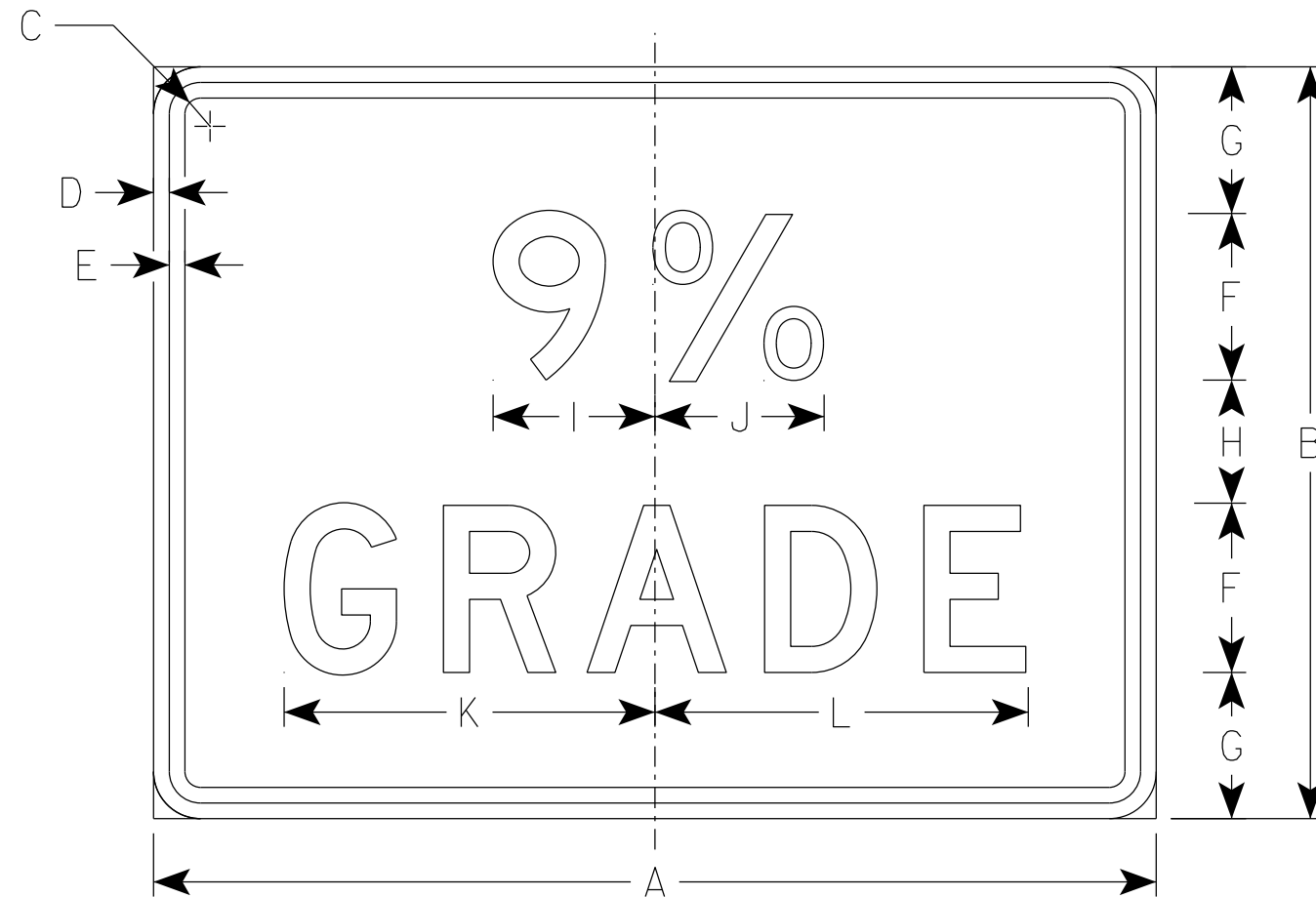
PROJECT NO: \_\_\_\_\_ HWY: \_\_\_\_\_ COUNTY: \_\_\_\_\_ SHEET NO: **E**

7

7

NOTES

1. Sign is Type II - Type F Reflective
2. Color:  
Background - Yellow  
Message - Black
3. Message Series - D
4. Substitute appropriate numeral and optically adjust spacing to achieve proper balance.



W7-3

7

7

SIZE	A	B	C	D	E	F	G	H	I	J	K	L	M	N	O	P	Q	R	S	T	U	V	W	X	Y	Z	Area sq. ft.
1																											
2S	24	18	1 1/8	3/8	3/8	4	3 1/2	3	3 7/8	4	8 7/8	9															3.0
2M	24	18	1 1/8	3/8	3/8	4	3 1/2	3	3 7/8	4	8 7/8	9															3.0
3																											
4																											
5																											

STANDARD SIGN  
W7-3

WISCONSIN DEPT OF TRANSPORTATION

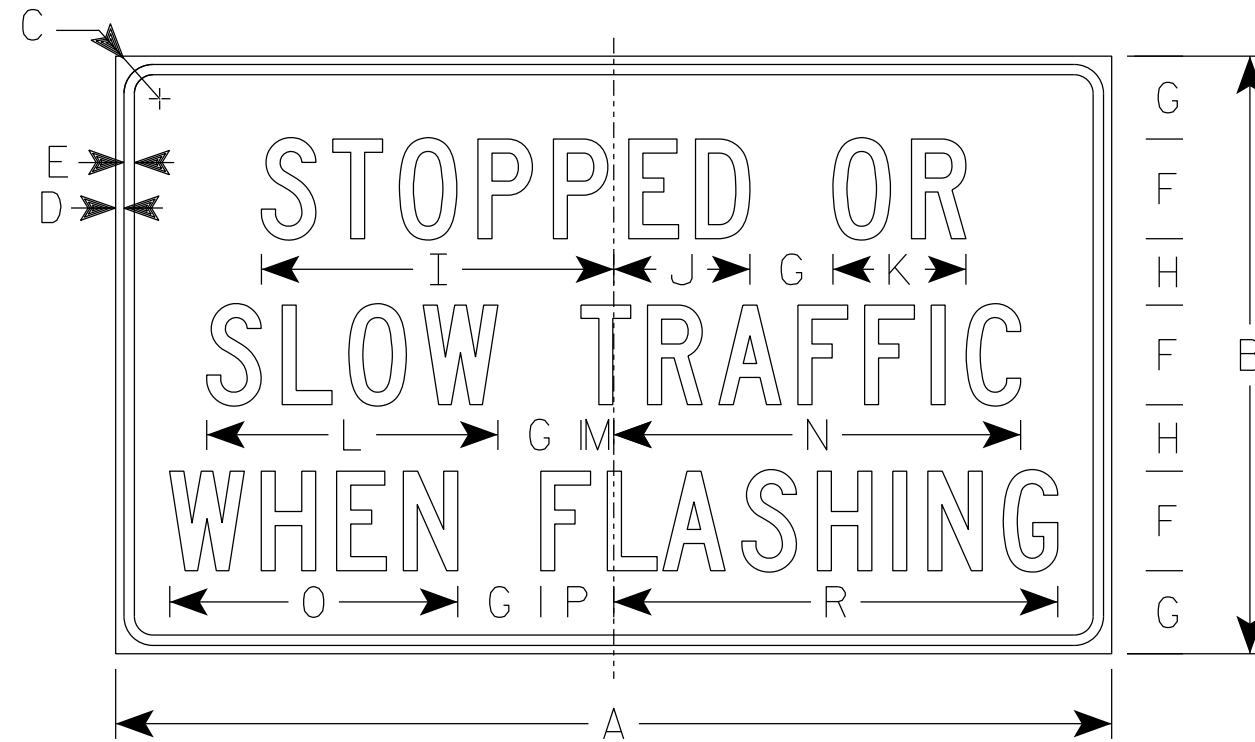
APPROVED *Matthew R. Rauch*  
For State Traffic Engineer

DATE 8/23/18 PLATE NO. W7-3.5

PROJECT NO: \_\_\_\_\_ HWY: \_\_\_\_\_ COUNTY: \_\_\_\_\_ SHEET NO: \_\_\_\_\_ **E**

NOTES

1. Sign is Type II - Type F Reflective
2. Color:  
Background - Orange  
Message - Black
3. Message Series - C
4. Corners may be square if base material is plywood but corners shall be rounded if base material is metal



W8 - 76

7

7

SIZE	A	B	C	D	E	F	G	H	I	J	K	L	M	N	O	P	Q	R	S	T	U	V	W	X	Y	Z	Area sq. ft.
1																											
2																											
3																											
4	60	36	2 1/4	1/2	5/8	6	5	4	21 1/4	8 1/4	8	17 1/2	2	24 1/2	17 3/8	4 3/8		26 3/4									15.0
5																											

STANDARD SIGN  
W8 - 76

WISCONSIN DEPT OF TRANSPORTATION

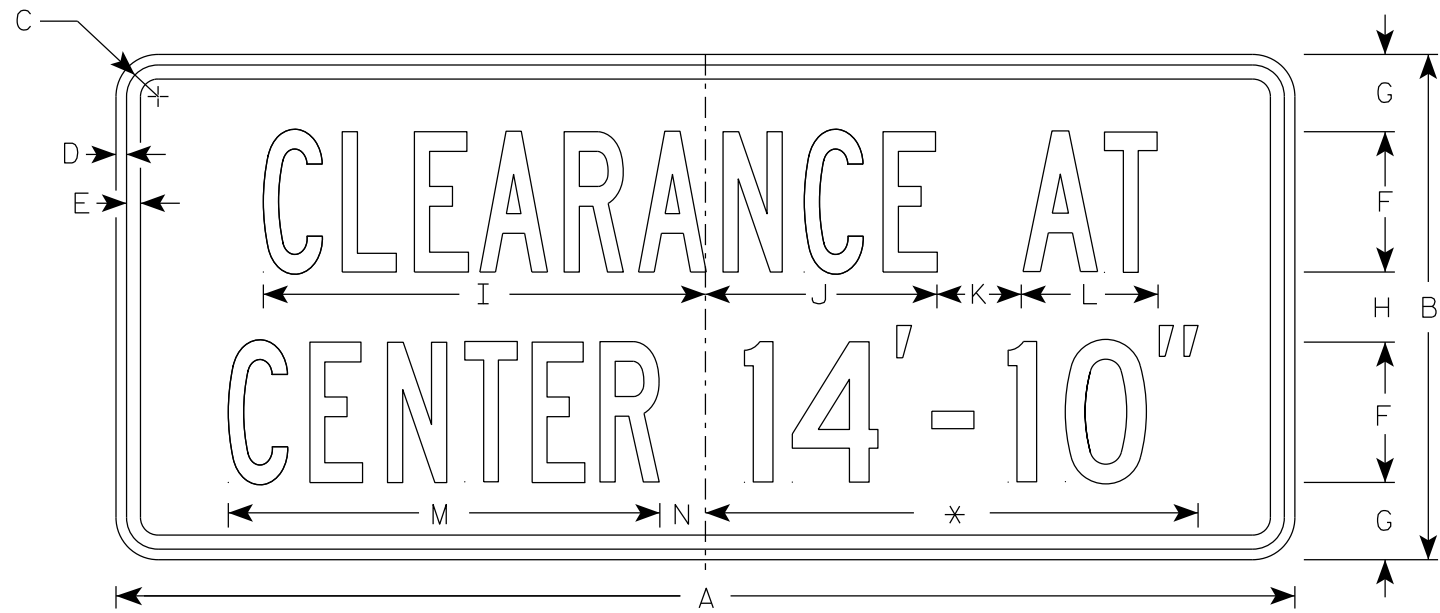
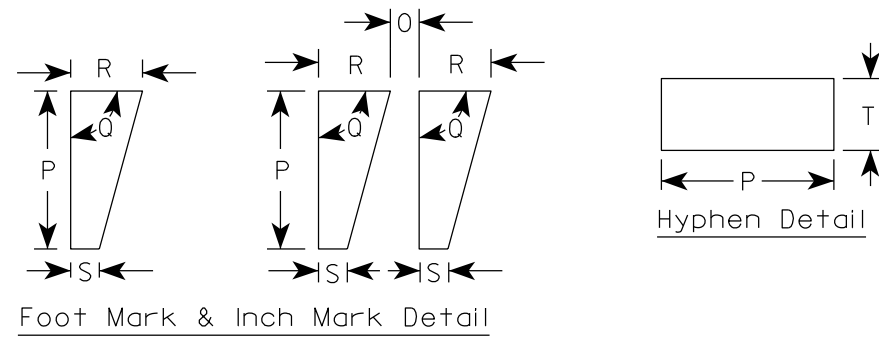
APPROVED *Matthew R. Rauch*  
for State Traffic Engineer

DATE 9/6/18 PLATE NO. W8-76.1

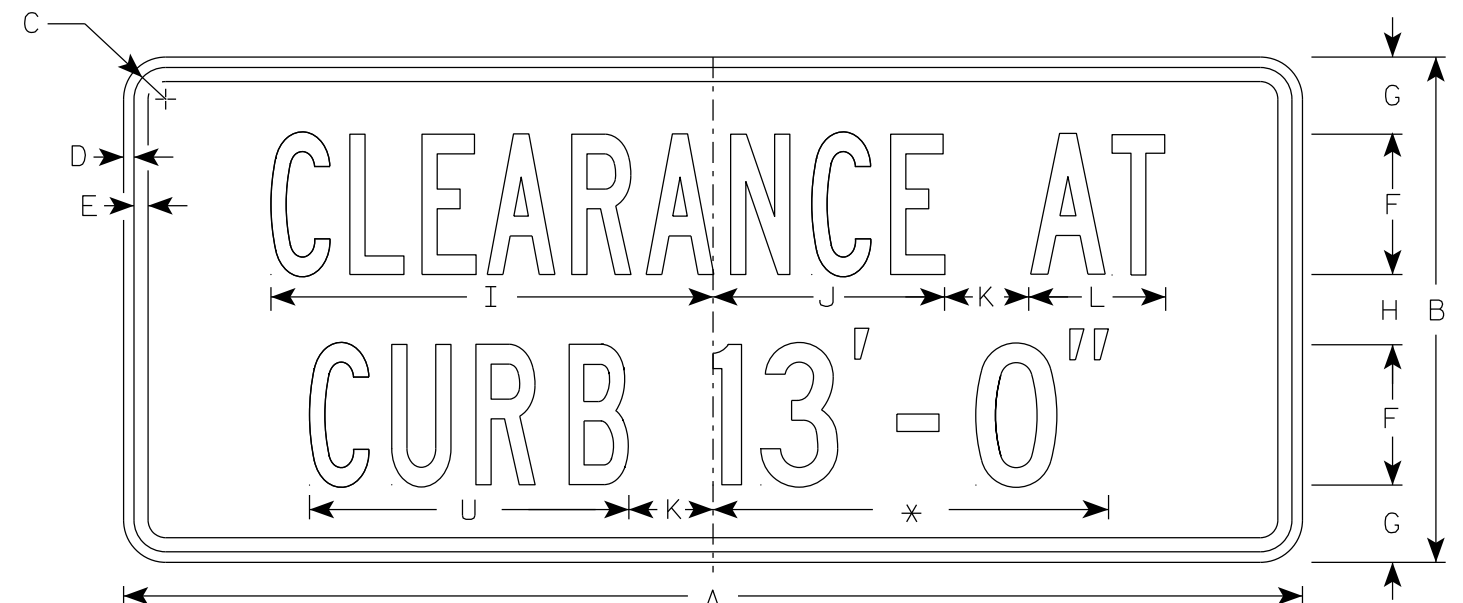
PROJECT NO: \_\_\_\_\_ HWY: \_\_\_\_\_ COUNTY: \_\_\_\_\_ SHEET NO: **E**

NOTES

1. Sign is Type II - Type F Reflective
2. Color:  
Background - Yellow  
Message - Black
3. Message Series - B
4. Substitute appropriate numerals and optically adjust spacing of numerals, hyphen, foot & inch marks to achieve proper balance.



W12-2A



W12-2B

\* Varies (See Note 4)

SIZE	A	B	C	D	E	F	G	H	I	J	K	L	M	N	O	P	Q	R	S	T	U	V	W	X	Y	Z	Area sq. ft.
1	42	18	1 1/8	3/8	1/2	5	2 3/4	2 1/2	15 3/4	8 1/4	3	4 7/8	15 3/8	1 5/8	3/8	1 1/8	90°	1/2	3/16	5/8	11 3/8					5.25	
2S	42	18	1 1/8	3/8	1/2	5	2 3/4	2 1/2	15 3/4	8 1/4	3	4 7/8	15 3/8	1 5/8	3/8	1 1/8	90°	1/2	3/16	5/8	11 3/8					5.25	
2M	42	18	1 1/8	3/8	1/2	5	2 3/4	2 1/2	15 3/4	8 1/4	3	4 7/8	15 3/8	1 5/8	3/8	1 1/8	90°	1/2	3/16	5/8	11 3/8					5.25	
3	42	18	1 1/8	3/8	1/2	5	2 3/4	2 1/2	15 3/4	8 1/4	3	4 7/8	15 3/8	1 5/8	3/8	1 1/8	90°	1/2	3/16	5/8	11 3/8					5.25	
4	60	30	1 3/8	1/2	5/8	8	4 7/8	4 1/4	25 1/4	13 1/4	4 3/4	7 7/8	24 5/8	2 5/8	1/2	1 5/8	90°	3/4	5/16	7/8	18 1/4					12.5	
5																											

STANDARD SIGN  
W12-2A & W12-2B

WISCONSIN DEPT OF TRANSPORTATION

APPROVED *Matthew R. Rauch*  
For State Traffic Engineer

DATE 8/13/18 PLATE NO. W12-2A.9

NOTES

1. Sign is Type II - Type F Reflective
2. Color:  
Background - Yellow  
Message - Black
3. Message Series - C



W16-9P

SIZE	A	B	C	D	E	F	G	H	I	J	K	L	M	N	O	P	Q	R	S	T	U	V	W	X	Y	Z	Area sq. ft.
1																											
2S	24	12	1 1/8	3/8	3/8	5	3 1/2	3 1/8	17 3/4																		2.0
2M	30	18	1 1/8	3/8	1/2	7	5 1/2	2 3/4	24 1/2																		3.75
3	30	18	1 1/8	3/8	1/2	7	3 1/2	2 3/4	24 1/2																		3.75
4	48	24	1 3/8	1/2	5/8	10	7	6 1/8	35 3/4																		8.0
5																											

STANDARD SIGN  
W16-9P

WISCONSIN DEPT OF TRANSPORTATION

APPROVED Matthew R. Rauch  
State Traffic Engineer

DATE 3/7/19 PLATE NO. W16-9P.7

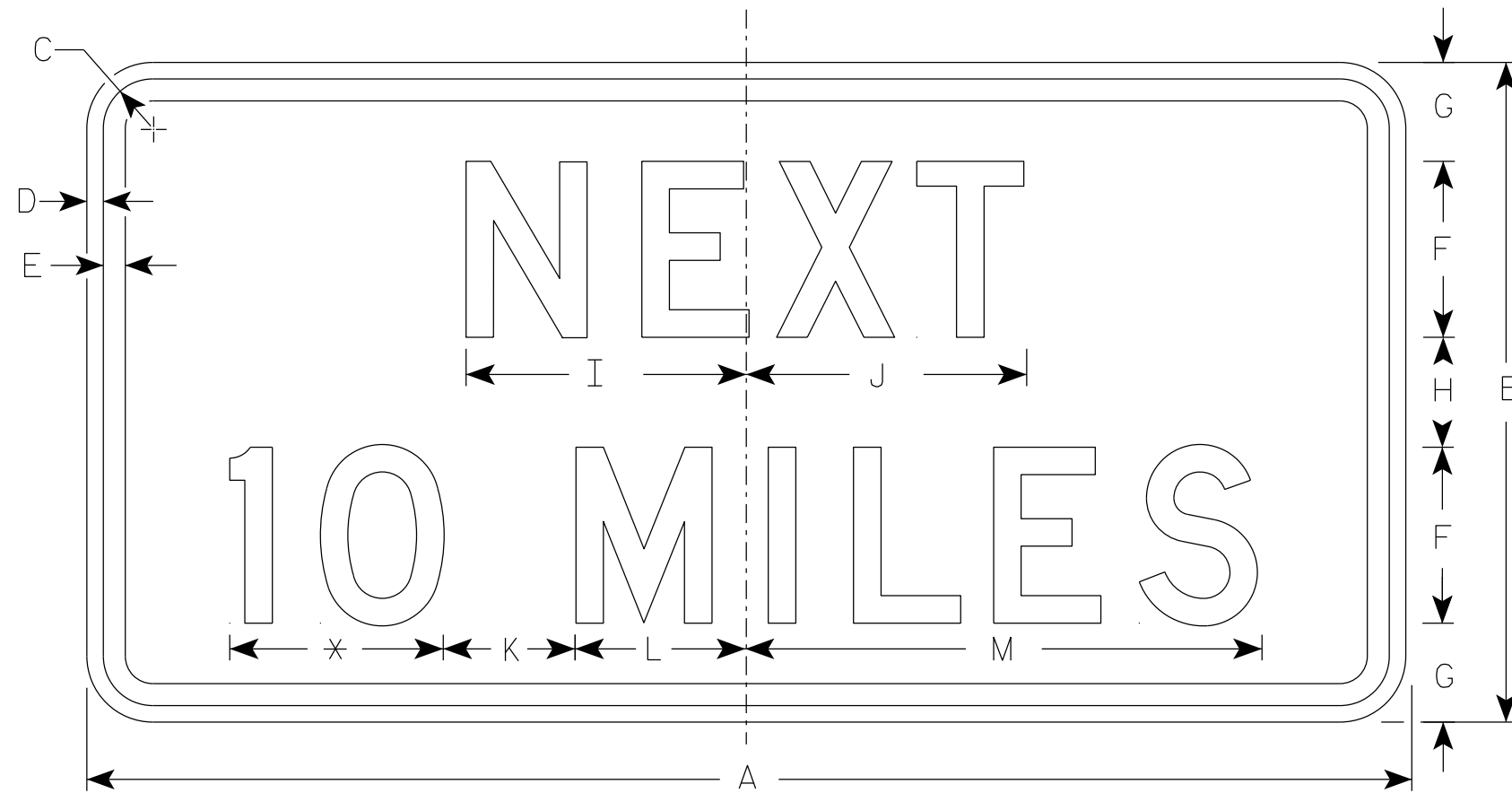
PROJECT NO: \_\_\_\_\_ HWY: \_\_\_\_\_ COUNTY: \_\_\_\_\_ SHEET NO: **E**

7

7

NOTES

1. Sign is Type II - Type F Reflective
2. Color:  
Background - Yellow  
Message - Black
3. Message Series - D
4. Round distance to nearest whole Mile and substitute appropriate numerals and optically adjust spacing to achieve proper balance.



W57-51

\* See note 5

7

7

SIZE	A	B	C	D	E	F	G	H	I	J	K	L	M	N	O	P	Q	R	S	T	U	V	W	X	Y	Z	Area sq. ft.
1	24	12	1 1/8	3/8	3/8	3	2 1/4	1 1/2	5	5 1/8	3	2 3/4	9 5/8														2.0
2S	30	15	1 1/8	3/8	1/2	4	2 1/2	2	6 3/8	6 3/8	3	3 7/8	11 3/4														3.13
2M	36	18	1 1/8	3/8	1/2	5	2 3/4	2 1/2	7 7/8	8	5	4 1/8	15 3/8														4.5
3	36	18	1 1/8	3/8	1/2	5	2 3/4	2 1/2	7 7/8	8	5	4 1/8	15 3/8														4.5
4	48	24	1 3/8	1/2	5/8	6	4	4	10	10 1/8	6	5 5/8	19														8.0
5	48	24	1 3/8	1/2	5/8	6	4	4	10	10 1/8	6	5 5/8	19														8.0

STANDARD SIGN  
W57-51

WISCONSIN DEPT OF TRANSPORTATION

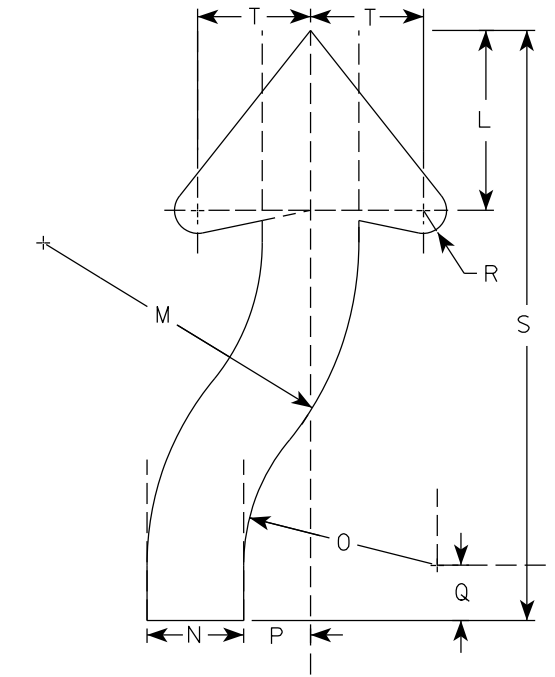
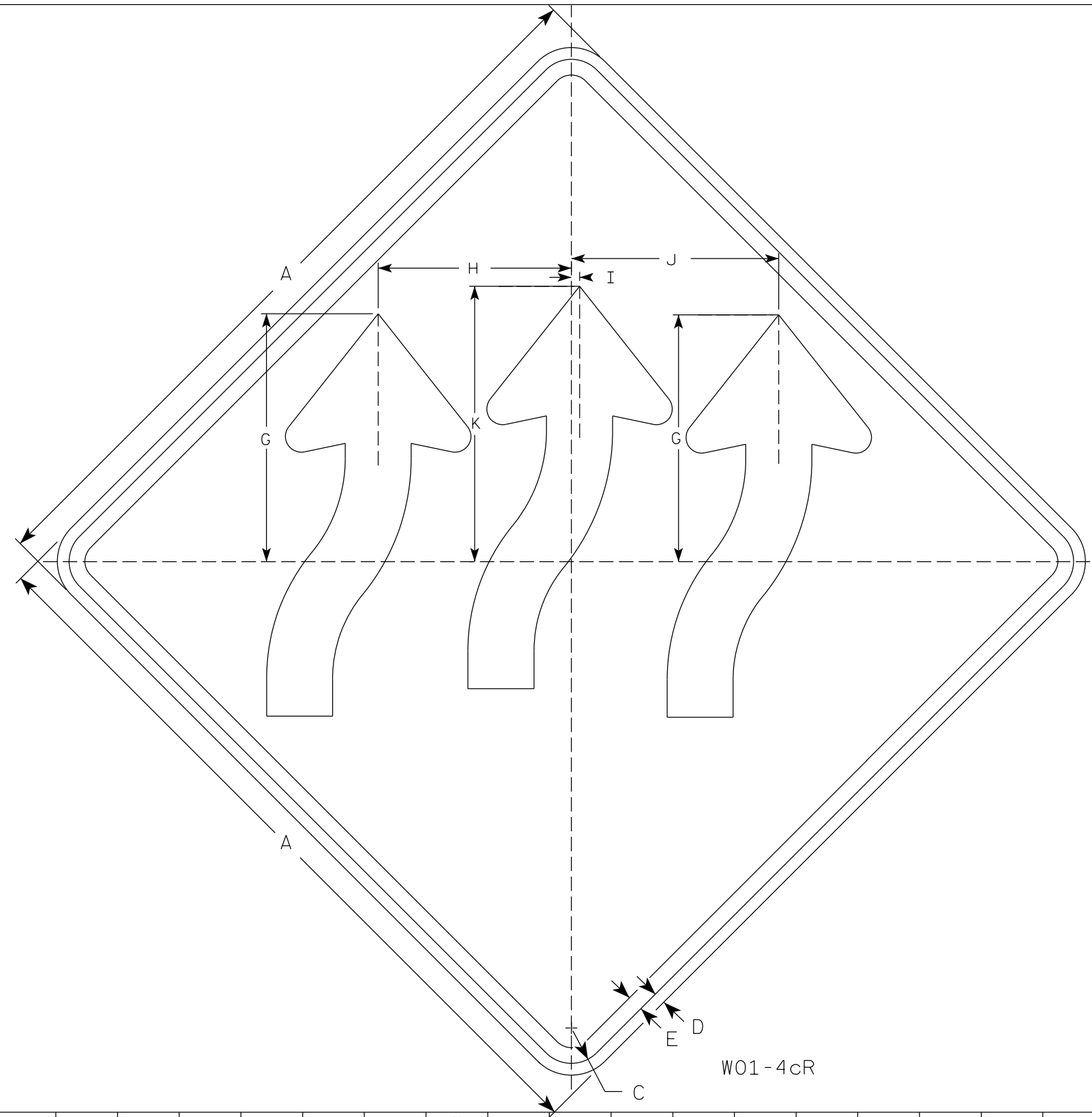
APPROVED *Matthew R. Rauch*  
For State Traffic Engineer

DATE 5/1/19 PLATE NO. W57-51.11

PROJECT NO: \_\_\_\_\_ HWY: \_\_\_\_\_ COUNTY: \_\_\_\_\_ SHEET NO: **E**

NOTES

1. Sign is Type II - Type F Reflective
2. Color:  
Background - Orange  
Message - Black
3. Corners may be square or rounded when base material is plywood but borders shall be rounded as shown. When base material is metal, the corners and borders shall be rounded.
4. W01-4cL is the same as W01-4cR except arrows are reversed along the vertical centerline.



SIZE	A	B	C	D	E	F	G	H	I	J	K	L	M	N	O	P	Q	R	S	T	U	V	W	X	Y	Z	Area sq. ft.
1	36		1 5/8	5/8	3/4		11 3/4	9 1/4	3/8	9 7/8	13 1/8	5 7/8	10 1/4	3 1/8	6 1/4	2 1/4	1 7/8	3/4	19 1/4	3 3/4							9.0
2S	48		2 1/4	3/4	1		15 3/4	12 1/4	1/2	13 1/4	17 1/2	7 3/4	13 3/4	4 1/4	8 1/2	2 7/8	2 3/8	1	25 5/8	4 7/8							16.0
2M	48		2 1/4	3/4	1		15 3/4	12 1/4	1/2	13 1/4	17 1/2	7 3/4	13 3/4	4 1/4	8 1/2	2 7/8	2 3/8	1	25 5/8	4 7/8							16.0
3	48		2 1/4	3/4	1		15 3/4	12 1/4	1/2	13 1/4	17 1/2	7 3/4	13 3/4	4 1/4	8 1/2	2 7/8	2 3/8	1	25 5/8	4 7/8							16.0
4	48		2 1/4	3/4	1		15 3/4	12 1/4	1/2	13 1/4	17 1/2	7 3/4	13 3/4	4 1/4	8 1/2	2 7/8	2 3/8	1	25 5/8	4 7/8							16.0
5	48		2 1/4	3/4	1		15 3/4	12 1/4	1/2	13 1/4	17 1/2	7 3/4	13 3/4	4 1/4	8 1/2	2 7/8	2 3/8	1	25 5/8	4 7/8							16.0

STANDARD SIGN  
W01-4C

WISCONSIN DEPT OF TRANSPORTATION

APPROVED *Matthew R Rauch*  
State Traffic Engineer

DATE 3/12/19 PLATE NO. W01-4C.2

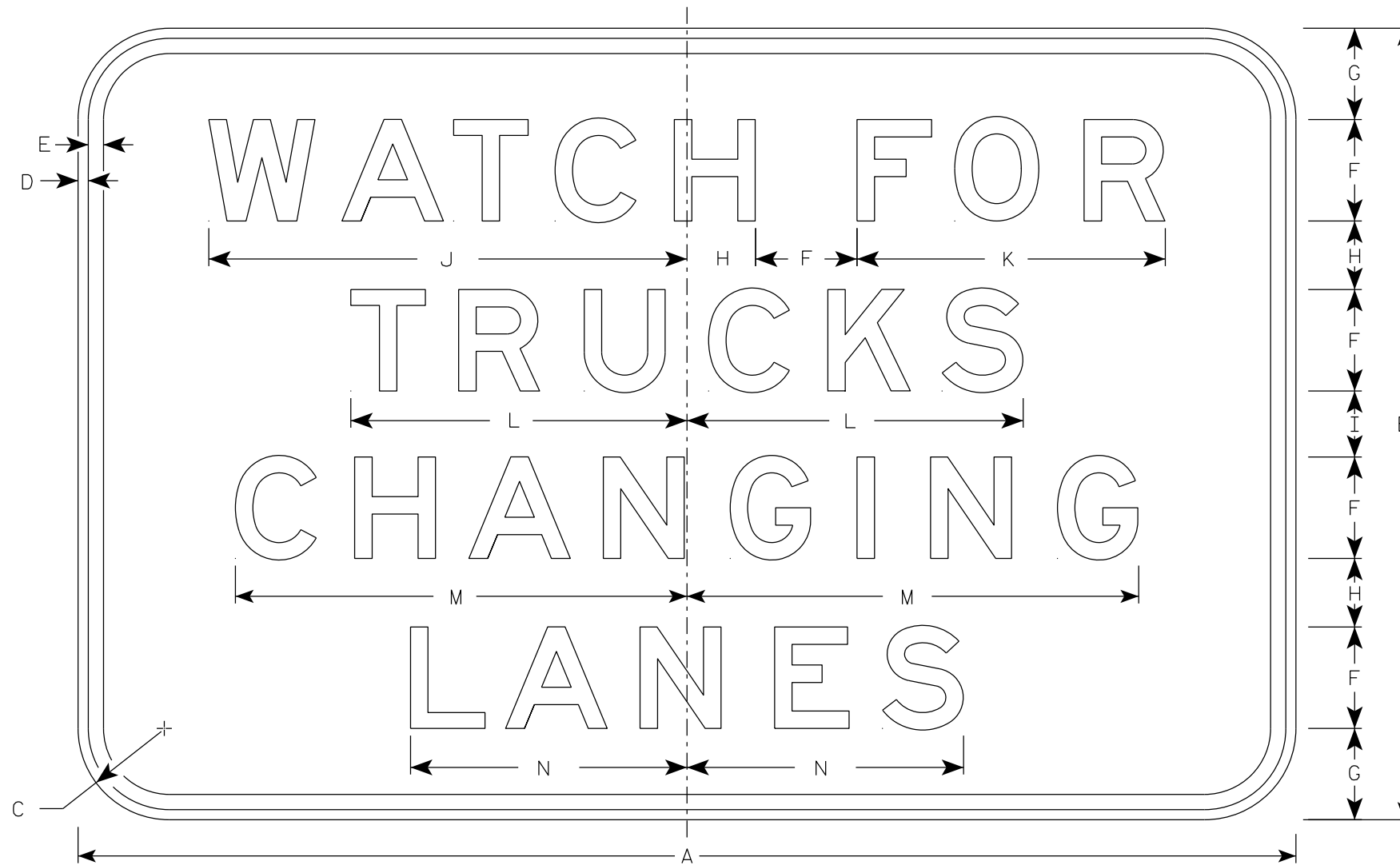
PROJECT NO: \_\_\_\_\_ HWY: \_\_\_\_\_ COUNTY: \_\_\_\_\_ SHEET NO: **E**

7

7

NOTES

1. Sign is Type II - Type F Reflective
2. Color:  
Background - Orange  
Message - Black
3. Message Series - E
4. Corners may be square or rounded when base material is plywood but border shall be rounded as shown. When base material is metal the corners and borders shall be rounded.



W07-61

7

7

SIZE	A	B	C	D	E	F	G	H	I	J	K	L	M	N	O	P	Q	R	S	T	U	V	W	X	Y	Z	Area sq. ft.
1																											
2S																											
2M																											
3																											
4																											
5	120	78	9	1	1 1/2	10	9	6 3/4	6 1/2	47 1/8	30 3/8	33 1/8	44 1/2	27 1/4												65.0	

STANDARD SIGN  
W07-61

WISCONSIN DEPT OF TRANSPORTATION

APPROVED *Matthew R. Rauch*  
For State Traffic Engineer

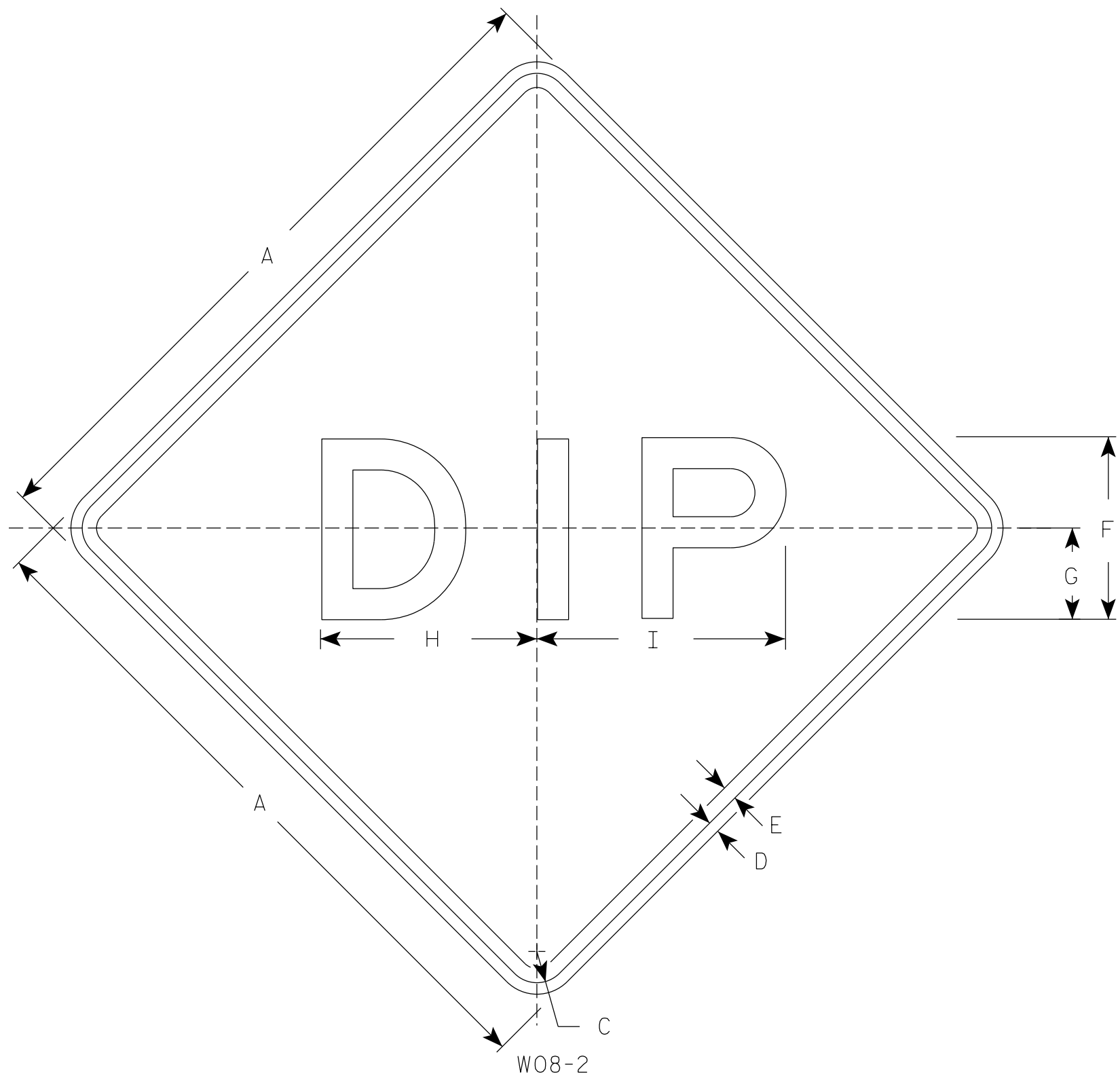
DATE 5/22/19 PLATE NO. W07-61.1

PROJECT NO: \_\_\_\_\_ HWY: \_\_\_\_\_ COUNTY: \_\_\_\_\_ SHEET NO: **E**



NOTES

1. Sign is Type II - Type F Reflective
2. Color:  
Background - Orange  
Message - Black
3. Message Series - E
4. Corners may be square or rounded when base material is plywood but borders shall be rounded as shown. When base material is metal, the corners and borders shall be rounded.



7

7

SIZE	A	B	C	D	E	F	G	H	I	J	K	L	M	N	O	P	Q	R	S	T	U	V	W	X	Y	Z	Area sq. ft.
1	36		1 5/8	5/8	3/4	10	5	11 7/8	13 1/2																		9.0
2S	48		2 1/4	3/4	1	12	6	14 1/4	16 1/4																		16.0
2M	48		2 1/4	3/4	1	12	6	14 1/4	16 1/4																		16.0
3	48		2 1/4	3/4	1	12	6	14 1/4	16 1/4																		16.0
4	48		2 1/4	3/4	1	12	6	14 1/4	16 1/4																		16.0
5	48		2 1/4	3/4	1	12	6	14 1/4	16 1/4																		16.0

STANDARD SIGN  
W08-2

WISCONSIN DEPT OF TRANSPORTATION

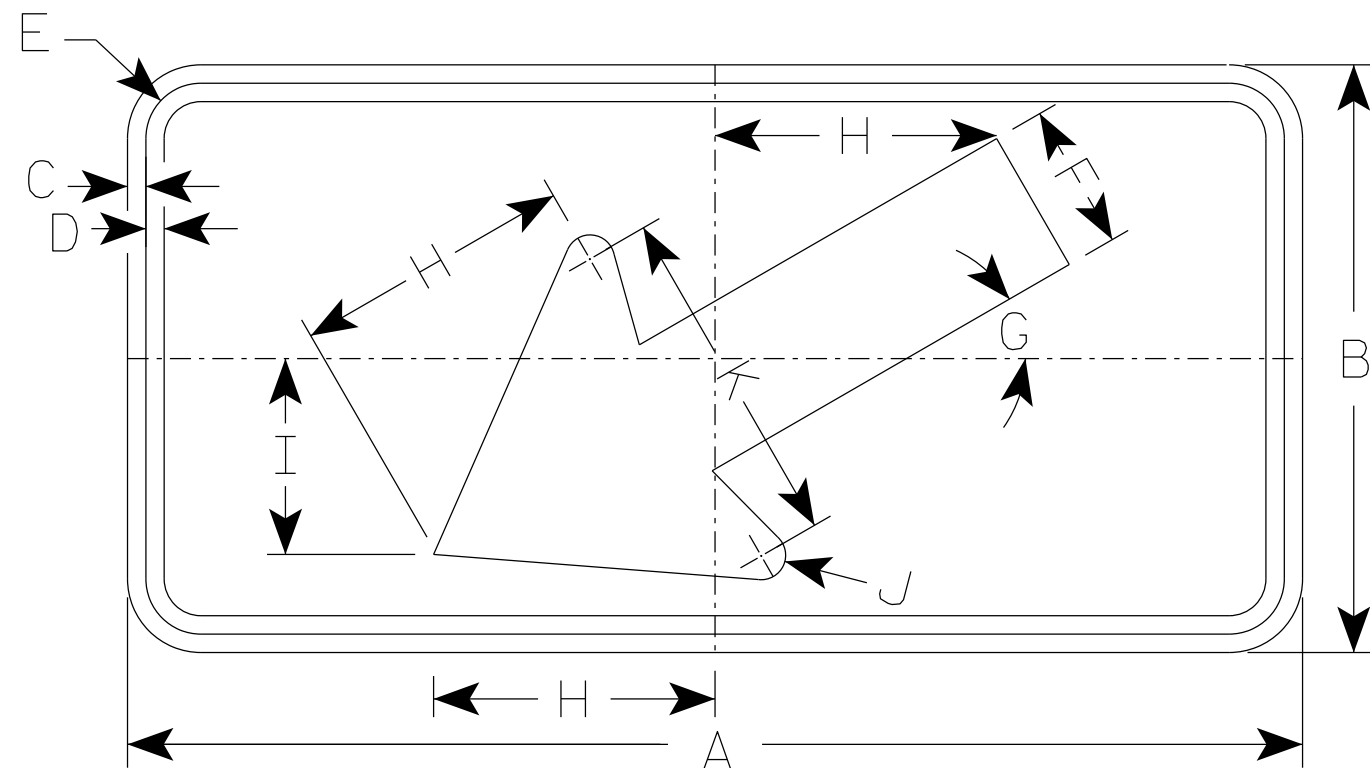
APPROVED *Matthew R. Rauch*  
for State Traffic Engineer

DATE 3/7/19 PLATE NO. W08-2.2

PROJECT NO: \_\_\_\_\_ HWY: \_\_\_\_\_ COUNTY: \_\_\_\_\_ SHEET NO: **E**

NOTES

1. Sign is Type II - Type F Reflective
2. Color:  
Background - Orange  
Message - Black
3. Corners may be square or rounded but corners shall be rounded when base material is metal.
4. W016-7R is the same as W016-L except the arrow is reversed along the vertical centerline.



W016-7L

7

7

SIZE	A	B	C	D	E	F	G	H	I	J	K	L	M	N	O	P	Q	R	S	T	U	V	W	X	Y	Z	Area sq. ft.
1	30	18	3/8	1/2	1 1/8	4 1/2	30°	8 1/2	6	5/8	10 1/4																3.75
2S	48	24	1/2	5/8	1 3/8	6	30°	11 1/2	8	1	14																8.0
2M	48	24	1/2	5/8	1 3/8	6	30°	11 1/2	8	1	14																8.0
3	48	24	1/2	5/8	1 3/8	6	30°	11 1/2	8	1	14																8.0
4	48	24	1/2	5/8	1 3/8	6	30°	11 1/2	8	1	14																8.0
5	48	24	1/2	5/8	1 3/8	6	30°	11 1/2	8	1	14																8.0

STANDARD SIGN  
W016-7

WISCONSIN DEPT OF TRANSPORTATION

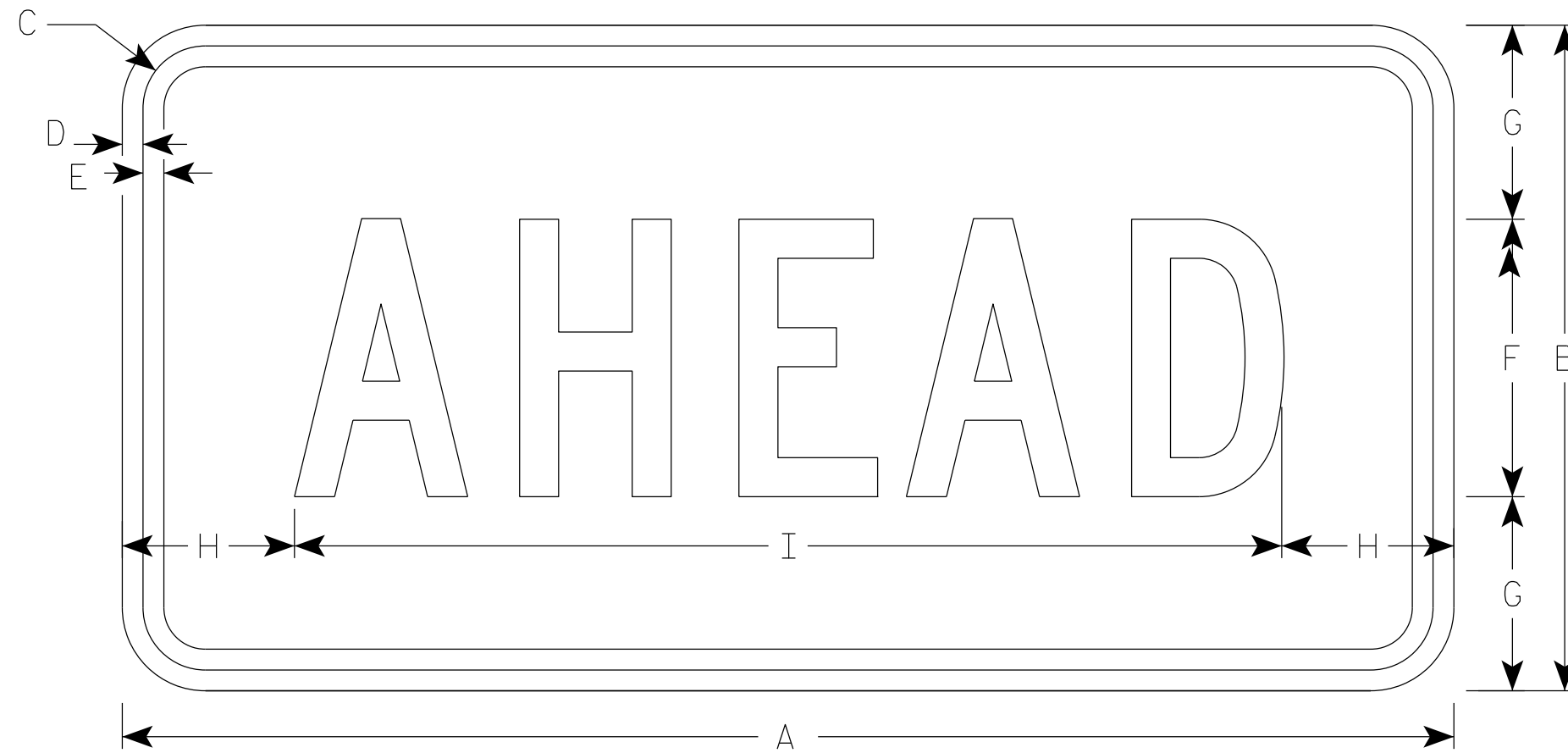
APPROVED *Matthew R. Rauch*  
for State Traffic Engineer

DATE 7/11/18 PLATE NO. W016-7.1

PROJECT NO: \_\_\_\_\_ HWY: \_\_\_\_\_ COUNTY: \_\_\_\_\_ SHEET NO: **E**

NOTES

1. Sign is Type II - Type F Reflective - reference WIS DOT Standard Specification for HIGHWAY and STRUCTURE CONSTRUCTION latest edition.
2. Color:  
Background - Orange  
Message - Black
3. Message Series - C
4. Corners may be square or rounded when base material is plywood but borders shall be rounded as shown. When base material is metal, the corners and borders shall be rounded.



W016-9P

7

7

SIZE	A	B	C	D	E	F	G	H	I	J	K	L	M	N	O	P	Q	R	S	T	U	V	W	X	Y	Z	Area sq. ft.
1	30	18	1 1/8	3/8	1/2	7	5 1/2	2 3/4	24 1/2																		3.75
2S	48	24	1 3/8	1/2	5/8	10	7	6 1/8	35 3/4																		8.0
2M	48	24	1 3/8	1/2	5/8	10	7	6 1/8	35 3/4																		8.0
3	48	24	1 3/8	1/2	5/8	10	7	6 1/8	35 3/4																		8.0
4	48	24	1 3/8	1/2	5/8	10	7	6 1/8	35 3/4																		8.0
5	48	24	1 3/8	1/2	5/8	10	7	6 1/8	35 3/4																		8.0

STANDARD SIGN  
W016-9P

WISCONSIN DEPT OF TRANSPORTATION

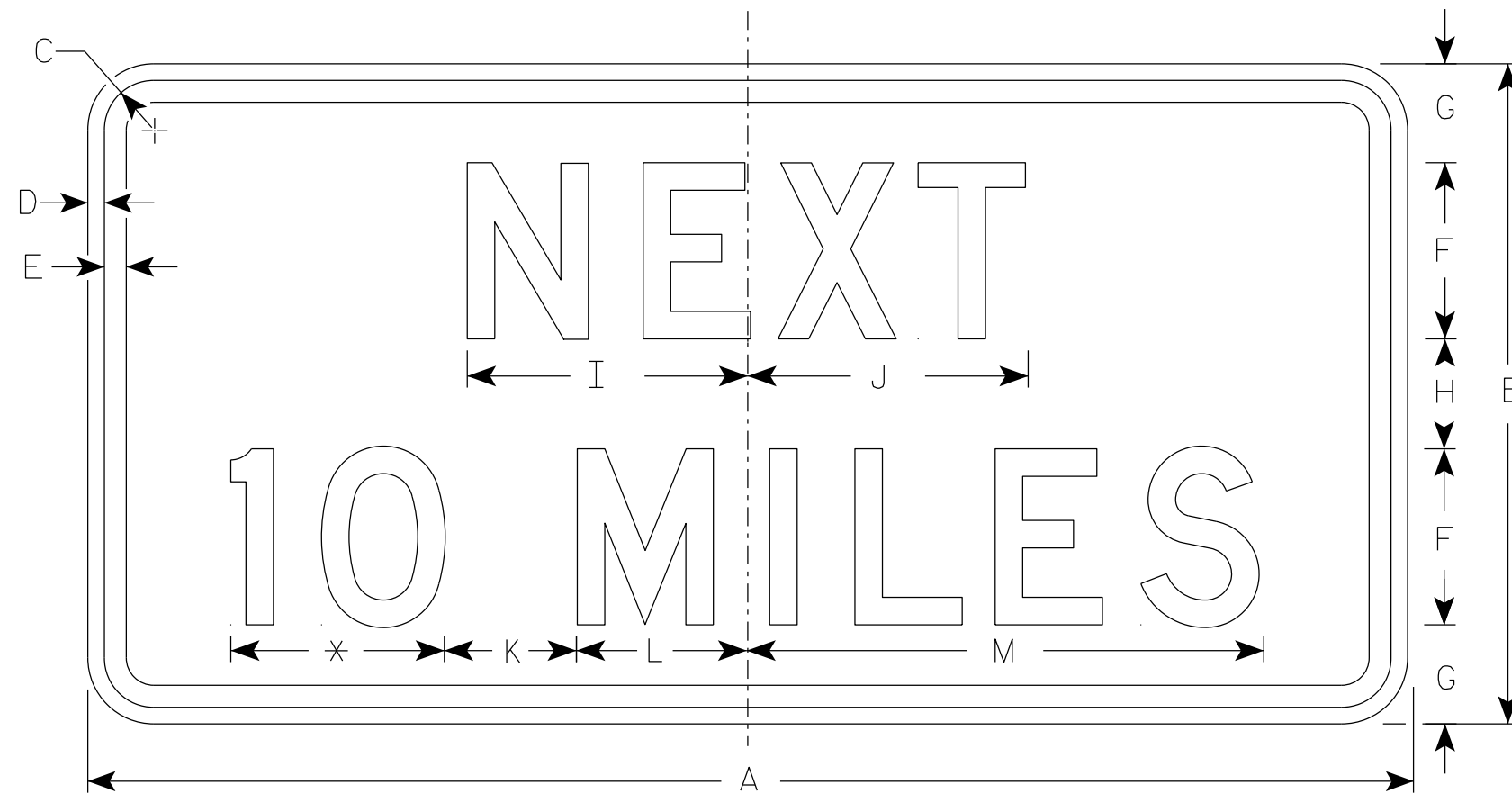
APPROVED *Matthew R. Rauch*  
For State Traffic Engineer

DATE 5/1/19 PLATE NO. W016-9P.7

PROJECT NO: \_\_\_\_\_ HWY: \_\_\_\_\_ COUNTY: \_\_\_\_\_ SHEET NO: **E**

NOTES

1. Sign is Type II - Type F Reflective
2. Color:  
Background - Orange  
Message - Black
3. Message Series - D
4. Corners may be square or rounded when base material is plywood but borders shall be rounded as shown. When base material is metal, the corners and borders shall be rounded.
5. Round distance to the nearest whole Mile and substitute appropriate numerals and optically adjust spacing to achieve proper balance.



W057-51

\* See note 5

7

7

SIZE	A	B	C	D	E	F	G	H	I	J	K	L	M	N	O	P	Q	R	S	T	U	V	W	X	Y	Z	Area sq. ft.
1	36	18	1 1/8	3/8	1/2	5	2 3/4	2 1/2	7 7/8	8	5	4 1/8	15 3/8														4.5
2S	48	24	1 3/8	1/2	5/8	6	4	4	10	10 1/8	6	5 5/8	19														8.0
2M	48	24	1 3/8	1/2	5/8	6	4	4	10	10 1/8	6	5 5/8	19														8.0
3	48	24	1 3/8	1/2	5/8	6	4	4	10	10 1/8	6	5 5/8	19														8.0
4	48	24	1 3/8	1/2	5/8	6	4	4	10	10 1/8	6	5 5/8	19														8.0
5	48	24	1 3/8	1/2	5/8	6	4	4	10	10 1/8	6	5 5/8	19														8.0

STANDARD SIGN  
W057-51

WISCONSIN DEPT OF TRANSPORTATION

APPROVED *Matthew R. Rauch*  
for State Traffic Engineer

DATE 5/1/19 PLATE NO. W057-51.3

PROJECT NO: \_\_\_\_\_ HWY: \_\_\_\_\_ COUNTY: \_\_\_\_\_ SHEET NO: **E**