



Wisconsin Department of Transportation

March 3, 2015

Division of Transportation Systems Development

Bureau of Project Development
4802 Sheboygan Avenue, Rm 601
P O Box 7916
Madison, WI 53707-7916

Telephone: (608) 266-1631
Facsimile (FAX): (608) 266-8459

NOTICE TO ALL CONTRACTORS:

Proposal #14: 1060-34-73
Zoo IC, DPW Site Facilities
Milwaukee Co DPW Site
USH 45
Milwaukee County

Letting of March 10, 2015

This is Addendum No. 2, which provides for the following:

Special Provisions

Revised Special Provisions	
Article No.	Description
63	Gabion Pillars
93	Storage Building 1, Storage Building 2, Salt Brine Building, Bins

Plan Sheets

Revised Plan Sheets	
Plan Sheet	Plan Sheet Title (brief description of changes to sheet)
5	Typical Sections (Concrete pavement shall be doweled)
6	Typical Sections (Concrete pavement shall be doweled)
69	Site Landscape Details (Gabion baskets shall be 9 gauge steel)
158	Building Plan Typical Masonry Sections and Details (#4 stirrups @ 8" OC for Storage Bldg 1)

The responsibility for notifying potential subcontractors and suppliers of these changes remains with the prime contractor.

Sincerely,

Mike Coleman

Proposal Development Specialist
Proposal Management Section

ADDENDUM NO. 2

1060-34-73

March 3, 2015

Special Provisions

63. Gabion Pillars, Item SPV.0060.7001.

*Delete the first paragraph under **B.1 Gabion Baskets** and replace with the following:*

Furnish assembled gabion baskets comprised of 3" x 3" 9 ga. galvanized wire welded mesh with galvanized spiral bind connectors. Baskets to be 3-feet wide, 1 ½-feet tall, and 6' long. Stacked baskets to be connected with spiral bound connectors.

93. Storage Building 1, Item SPV.0105.0102; Storage Building 2, Item SPV.0105.0103; Salt Brine Building, Item SPV.0105.0104; Bins, Item SPV.0105.0105.

*Add the following bullet point under the following existing paragraph in **A.3 Submittals**:*

- Shop Drawings: For building structure components (include plans, elevations, sections, details, and attachments to other work) including:
 - Precast concrete.

*Replace the first paragraph under **A.4 Building Permits** with the following:*

Department of Commerce approval has been obtained by the department. Submit one set of properly signed and sealed precast plans, a completed SB-118 application form signed by a professional engineer licensed to practice in the State of Wisconsin, and a \$100 submittal fee to Industry Services, P.O. Box 7162, Madison, WI 53707-7162. Reference transaction identification number 2488643 and site identification number 808890 on the application form.

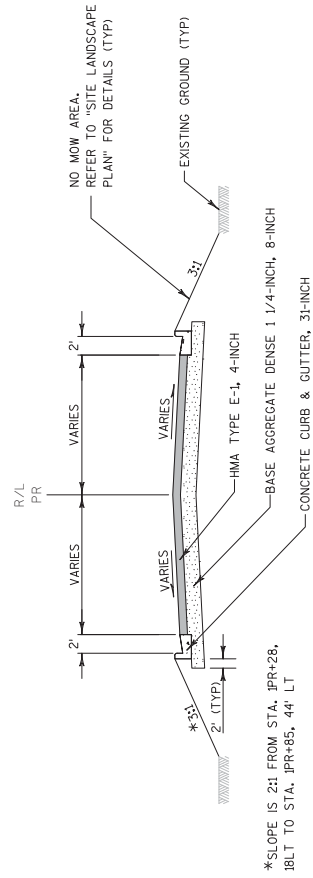
Building permits shall be obtained by the contractor.

Plan Sheets

The following 8½ x 11-inch sheets are attached and made part of the plans for this proposal:

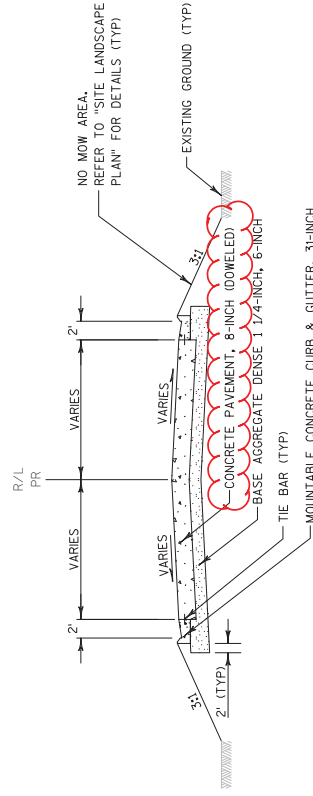
Revised: 5, 6, 69, and 158.

END OF ADDENDUM



TYPICAL FINISHED SECTION
PARK AND RIDE

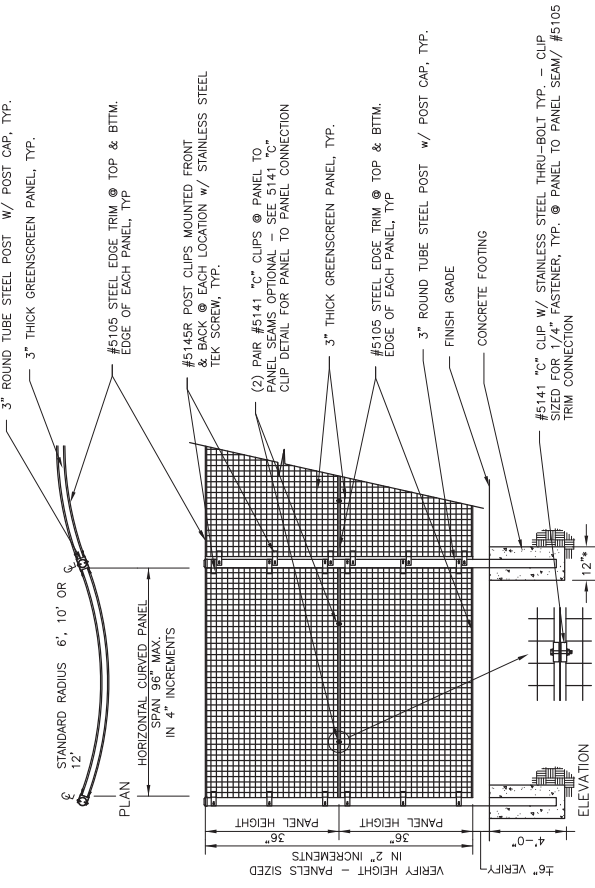
STA. 1PR+30.91 TO STA. 5PR+39.03



TYPICAL FINISHED SECTION
PARK AND RIDE

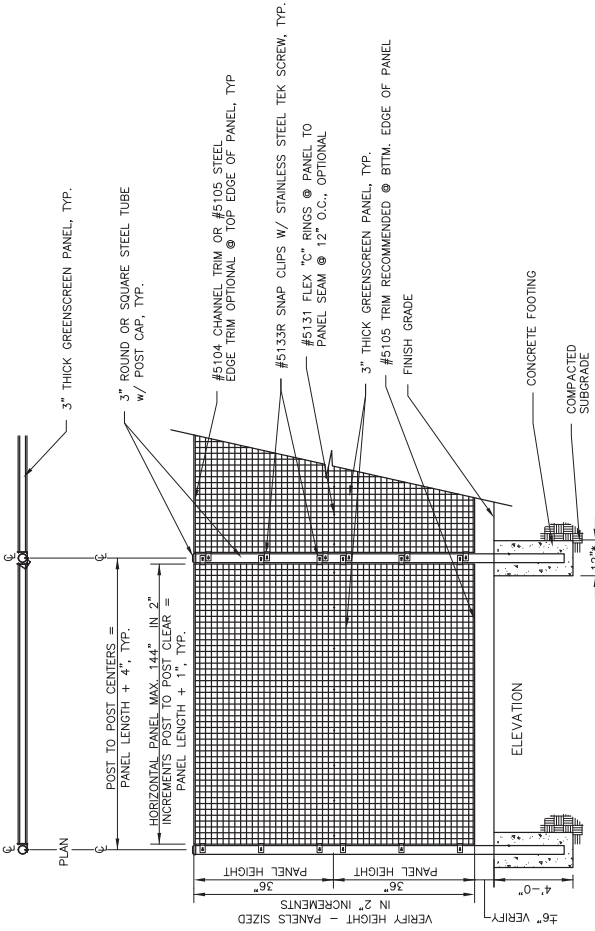
STA. 5PR+39.03 TO STA. 7PR+48.11

Addendum No. 2
ID 1060-34-73
Revised Sheet 5
March 3, 2015



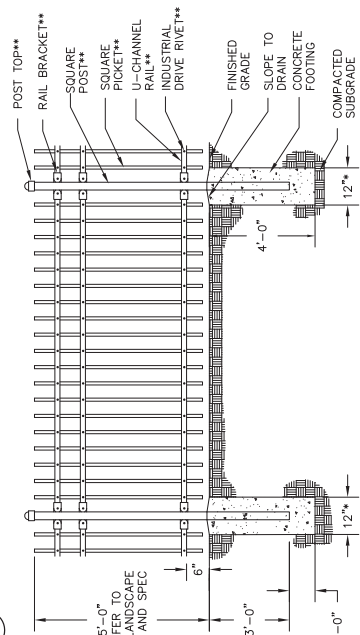
NOTE: VERIFY PANEL SPAN + CLIP SPACING FOR ALL INSTALLATIONS - ALL INSTALLATIONS 20' ABOVE GRADE REQUIRE ADDITIONAL CONSIDERATION
 *FOOTING WIDTH TO BE 4 TIMES THE POST WIDTH

8 FREESTANDING HORIZONTAL CURVED GREEN SCREEN FENCE
 N.T.S.



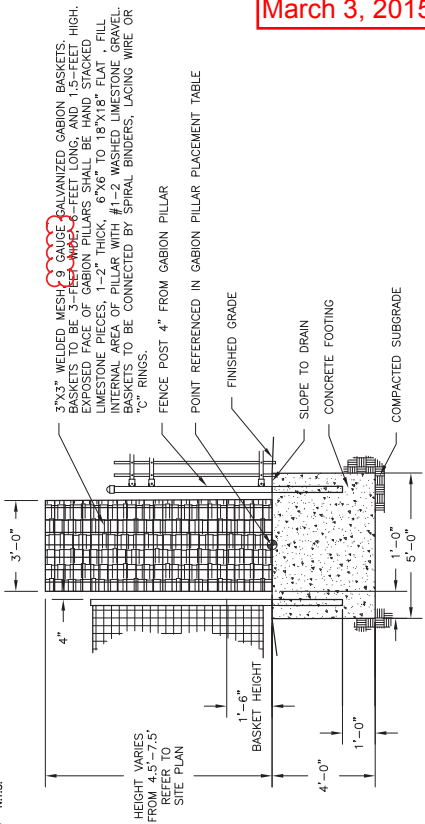
NOTE: VERIFY PANEL SPAN + CLIP SPACING FOR ALL INSTALLATIONS - ALL INSTALLATIONS 20' ABOVE GRADE REQUIRE ADDITIONAL CONSIDERATION
 *FOOTING WIDTH TO BE 4 TIMES THE POST WIDTH

7 FREESTANDING HORIZONTAL GREEN SCREEN FENCE
 N.T.S.



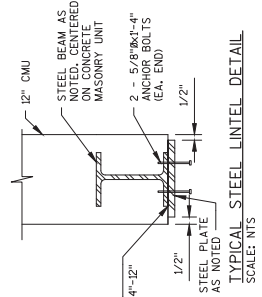
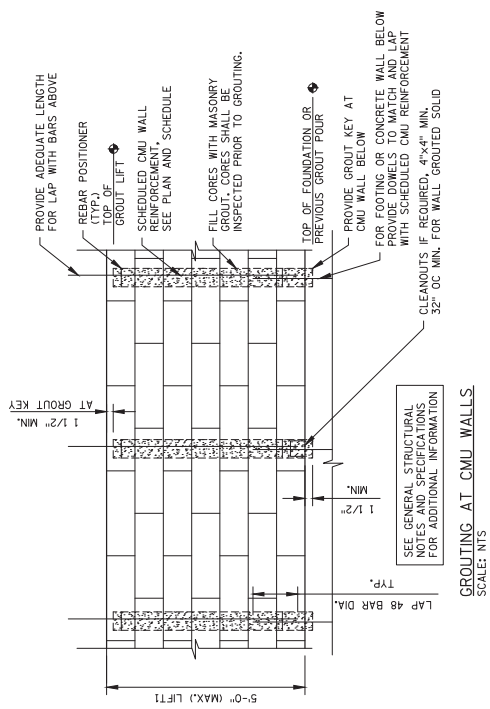
*FOOTING WIDTH TO BE 4 TIMES THE POST WIDTH
 **SAMPLE MATERIALS FOR ILLUSTRATION PURPOSES ONLY.
 INSTALL PER MANUFACTURER'S SPECIFICATIONS.

9 5'-0" HIGH DECORATIVE STEEL FENCE
 N.T.S.



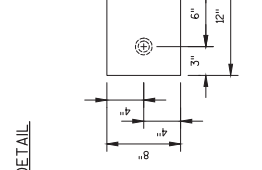
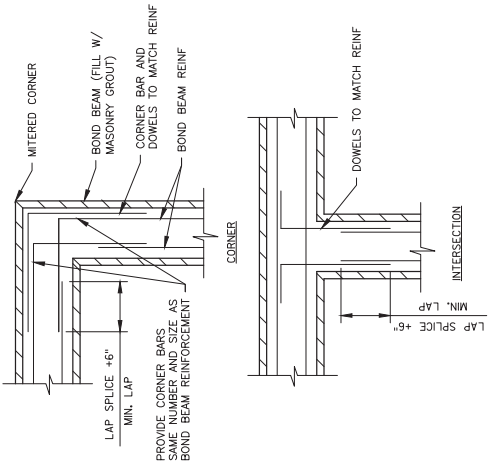
10 GABION PILLAR
 N.T.S.

Addendum No. 2
 ID 1060-34-73
 Revised Sheet 69
 March 3, 2015

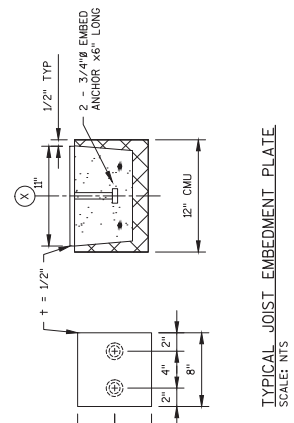


MARK	DESCRIPTION	TYPE
L-1	WBx45 W/ 5/16" PLATE	I
L-2	WBx40 W/ 7/16" PLATE	I
L-3	WBx40 W/ 5/16" PLATE	I
L-4	WBx31 W/ 5/16" PLATE	I
L-5	WBx31 W/ 5/16" PLATE	I

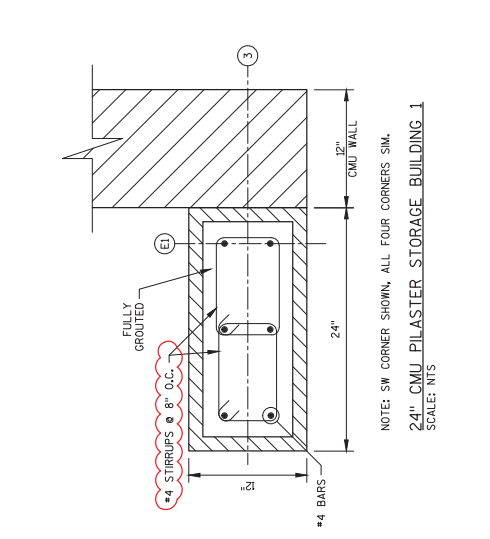
- NOTES:
- MASONRY OPENINGS LESS THAN 4'-6" IN WIDTH SHALL BE FULLY GROUTED. ALL WALL OPENINGS SHALL HAVE A FROD BEAM WITH 2 #5 BARS.
 - PROVIDE A MINIMUM OF 8" BEARING AT EACH END FOR STEEL BEAM LINTELS AND BOND BEAM LINTELS.
 - LESS NOTED OTHERWISE.
 - HOT-DIP GALVANIZED LINTELS AFTER FABRICATION.



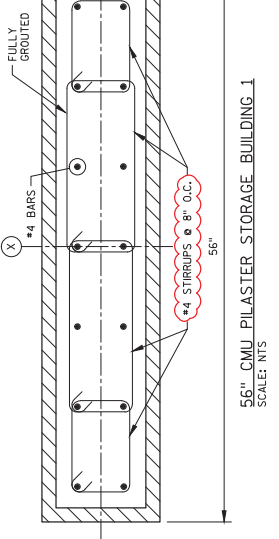
JOIST GIRDER EMBEDMENT PLATE
SCALE: NTS



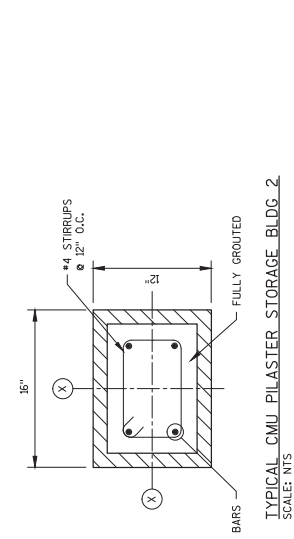
TYPICAL JOIST EMBEDMENT PLATE
SCALE: NTS



BOND BEAM REINFORCEMENT DETAIL
SCALE: NTS



56" CMU PILASTER STORAGE BUILDING 1
SCALE: NTS



56" CMU PILASTER STORAGE BLDG. 2
SCALE: NTS

Addendum No. 2
ID 1060-34-73
Revised Sheet 158
March 3, 2015