

Wisconsin Department of Transportation

March 26, 2015

Division of Transportation Systems Development

Bureau of Project Development
4802 Sheboygan Avenue, Rm 601
P O Box 7916
Madison, WI 53707-7916

Telephone: (608) 266-1631
Facsimile (FAX): (608) 266-8459

NOTICE TO ALL CONTRACTORS:

Proposal #22: 1133-03-76, WISC 2014 069
IH 41 Conversion
State Line - Green Bay,
SCL Dodge County - IH 43 Signing
USH 41
NE Wide

Letting of April 14, 2015

This is Addendum No. 1, which provides for the following:

Special Provisions

Added Special Provisions	
Article No.	Description
22	Linear Delineation System, SPV.0060.09

Schedule of Items

Revised Bid Item Quantities					
Bid Item	Item Description	Unit	Old Quantity	Revised Quantity	Proposal Total
SPV.0060.01	Traffic Control Lane Closure Freeway Single Lane	Each	44	49	49

Added Bid Item Quantities					
Bid Item	Item Description	Unit	Old Quantity	Revised Quantity	Proposal Total
SPV.0060.09	Linear Delineation System	Each	0	231	231

Plan Sheets

Revised Plan Sheets	
Plan Sheet	Plan Sheet Title (brief description of changes to sheet)
243	Miscellaneous Quantities (Added table for Linear Delineation System and associated Traffic Control Lane Closure Freeway Single Lane)

Added Plan Sheets	
Plan Sheet	Plan Sheet Title (brief description of why sheet was added)
4A	Construction Detail (Detail to show location and spacing of Linear Delineation System on barrier wall)
4B	Construction Detail (Detail showing plan view location of Linear Delineation System)

The responsibility for notifying potential subcontractors and suppliers of these changes remains with the prime contractor.

Sincerely,

Mike Coleman

Proposal Development Specialist
Proposal Management Section

ADDENDUM NO. 1

1133-03-76

March 26, 2015

Special Provisions

22. Linear Delineation System, Item SPV.0060.09

A Description

This special provision describes installing linear delineator panels on concrete barrier.

B Materials

Provide Linear Delineation System that are equivalent to the 3M Diamond Grade Linear Delineation System Series 340 (4-inch, Series 344). Provide delineators in fluorescent yellow.

C Construction

Install Linear Delineation System in the locations detailed in the plans and as specified by the manufacturer.

D Measurement

The department will measure Linear Delineation System as each individual linear delineation system, acceptably completed.

E Payment

The department will pay for measured quantities at the contract unit price under the following bid item:

ITEM NUMBER	DESCRIPTION	UNIT
SPV.0060.09	Linear Delineation System	Each

Payment is full compensation for providing and placing all materials, including mounting brackets, hardware, adhesives, or other incidental items needed as directed by the manufacturer's installation instructions; and any necessary shoulder closures.

Schedule of Items

Attached, dated March 26, 2015, are the revised Schedule of Items Pages 3 and 4.

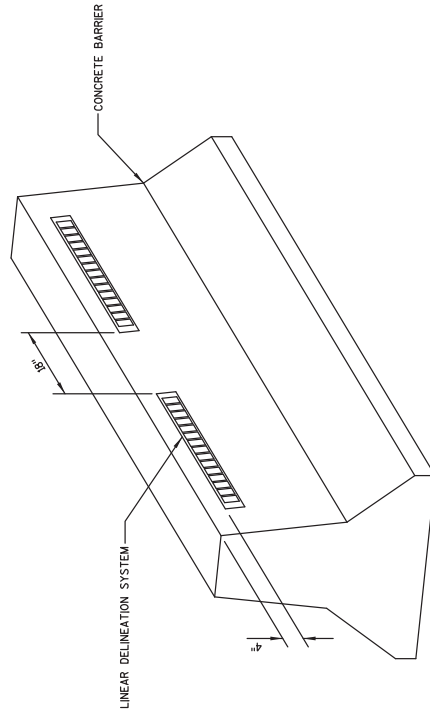
Plan Sheets

The following 8½ x 11-inch sheets are attached and made part of the plans for this proposal:

Revised: 243.

Added: 4A and 4B.

END OF ADDENDUM



LINEAR DELINEATION SYSTEM
FOR CONCRETE BARRIER

Addendum No. 1
ID 1133-03-76
Added Sheet 4A
March 26, 2015

PROJECT NO: 1133-03-76

HWY: USH 41

COUNTY: VARIOUS

CONSTRUCTION DETAILS

SHEET 4A

E

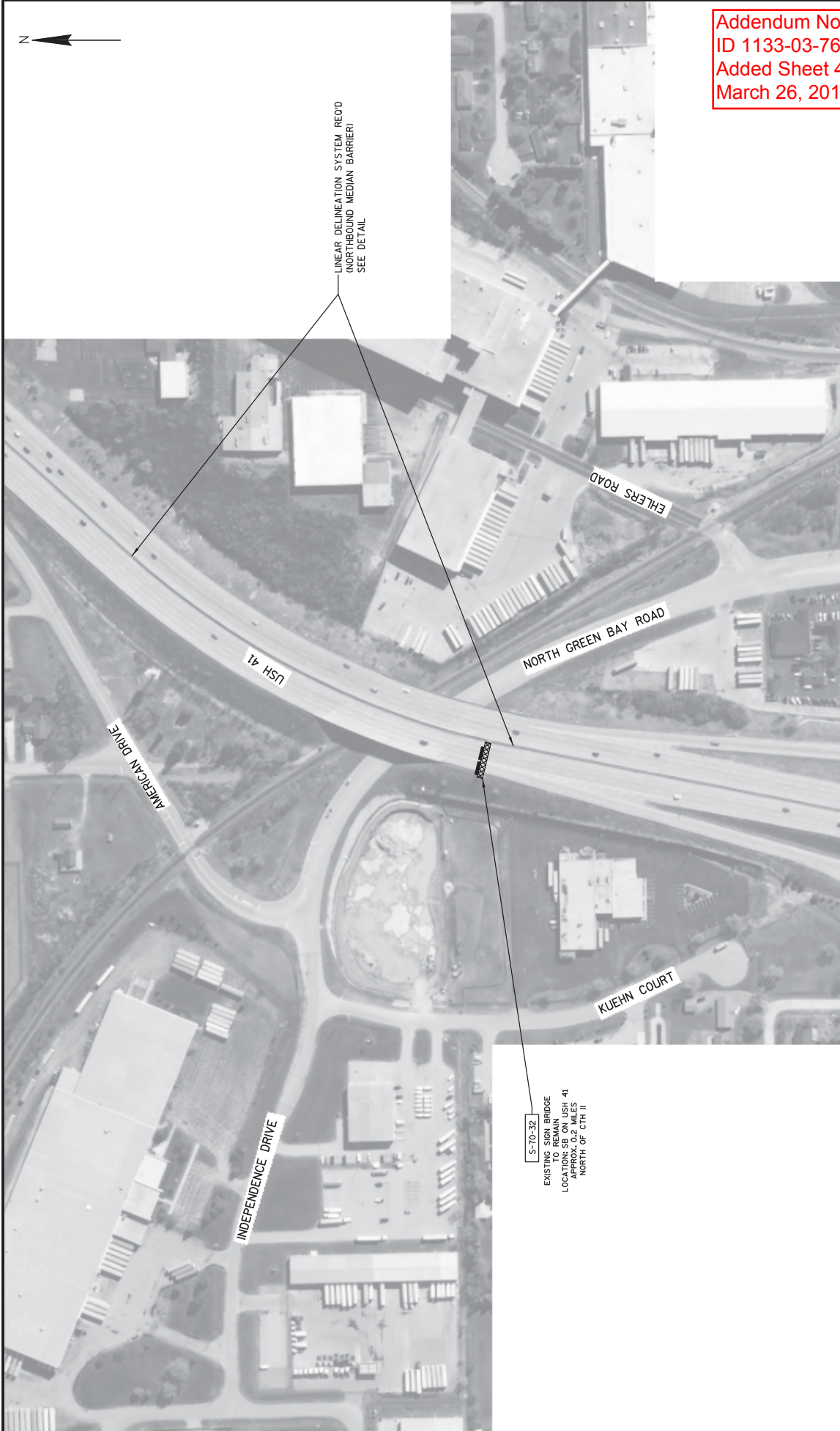
FILE NAME : S:\NMD\1000--1099\1089\132\Micros\0376\021001.ctb

PLOT DATE : 10/15/2014

PLOT BY : _username_

PLOT NAME :

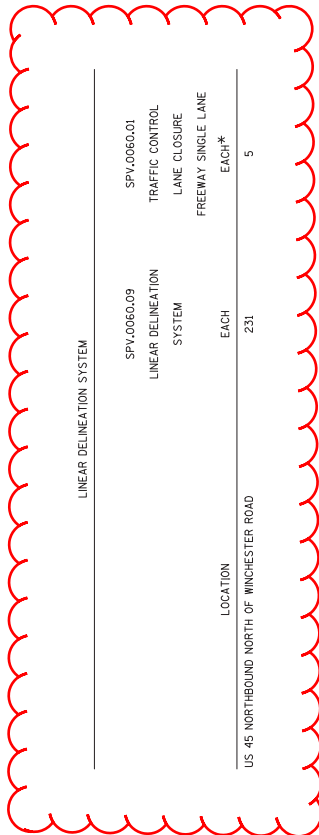
PLOT SCALE : **.....plotscale.....** WISDOT/CADD SHEET 42



Addendum No. 1
ID 1133-03-76
Added Sheet 4B
March 26, 2015

FOR INFORMATION ONLY
TRAFFIC CONTROL SUMMARY FOR LANE CLOSURES

LANE CLOSURE TYPE	TRAFFIC CONTROL DRUMS		TRAFFIC CONTROL BARRICADES TYPE III		TRAFFIC CONTROL WARNING LIGHTS TYPE A		TRAFFIC CONTROL WARNING LIGHTS TYPE C		TRAFFIC CONTROL ARROW BOARDS		TRAFFIC CONTROL SIGNS		TRAFFIC CONTROL SIGNS PCMS	
	NUMBER OF LANE CLOSURES	NUMBER PER LANE CLOSURE	NUMBER PER LANE CLOSURE	DAY	NUMBER PER LANE CLOSURE	DAY	NUMBER PER LANE CLOSURE	DAY	NUMBER PER LANE CLOSURE	DAY	NUMBER PER LANE CLOSURE	DAY	NUMBER PER LANE CLOSURE	DAY
FREEWAY SINGLE LANE	44	37	1	44	2	88	15	660	2	88	29	1,276	1	44
FREEWAY DUAL LANE	29	81	2	58	4	16	26	754	3	87	31	899	1	29
NON-FREEWAY SINGLE LANE	296	32	1	296	2	592	12	3,552	1	296	9	2,664	1	296
NON-FREEWAY DUAL LANE	6	73	2	12	4	24	24	144	2	12	11	66	1	6
ROUNDABOUT SINGLE LANE	100	32	1	100	2	200	12	1,200	1	100	9	900	1	100
ROUNDABOUT DUAL LANE	6	73	2	12	4	24	24	144	2	12	11	66	1	6
TOTALS				522		1,044		6,454		595		5,871		481



ROCK BAGS	
628.7570	ROCK BAGS
EACH	500
LOCATION	UNDISTRIBUTED

SILT FENCE ITEMS	
628.1520	SILT FENCE MAINTENANCE
LF	4,000
LOCATION	UNDISTRIBUTED

Addendum No. 1
ID 1133-03-76
Revised Sheet 243
March 26, 2015

NOTES:
- ALL SHEET QUANTITIES ARE CATEGORY 0010

SCHEDULE OF ITEMS

REVISED:

CONTRACT:
20150414022PROJECT(S):
1133-03-76FEDERAL ID(S):
WISC 2014069

CONTRACTOR : _____

LINE NO	ITEM DESCRIPTION	APPROX. QUANTITY AND UNITS	UNIT PRICE		BID AMOUNT	
			DOLLARS	CTS	DOLLARS	CTS
0220	642.5001 Field Office Type B	1.000 EACH	.		.	
0230	643.0100 Traffic Control (project) 01. 1133-03-76	1.000 EACH	.		.	
0240	643.0910 Traffic Control Covering Signs Type I	20.000 EACH	.		.	
0250	643.0920 Traffic Control Covering Signs Type II	175.000 EACH	.		.	
0260	643.1050 Traffic Control Signs PCMS	950.000 DAY	.		.	
0270	ASP.1T0A On-the-Job Training Apprentice at \$5.00/HR	2,000.000 HRS	5.00000		10000.00	
0280	ASP.1T0G On-the-Job Training Graduate at \$5. 00/HR	1,320.000 HRS	5.00000		6600.00	
0290	SPV.0060 Special 01. Traffic Control Lane Closure Freeway Single Lane	49.000 EACH	.		.	
0300	SPV.0060 Special 02. Traffic Control Lane Closure Freeway Dual Lane	29.000 EACH	.		.	
0310	SPV.0060 Special 03. Traffic Control Lane Closure Non-Freeway Single Lane	296.000 EACH	.		.	

SCHEDULE OF ITEMS

REVISED:

CONTRACT:
20150414022PROJECT(S):
1133-03-76FEDERAL ID(S):
WISC 2014069

CONTRACTOR : _____

LINE NO	ITEM DESCRIPTION	APPROX. QUANTITY AND UNITS	UNIT PRICE		BID AMOUNT	
			DOLLARS	CTS	DOLLARS	CTS
0320	SPV.0060 Special 04. Traffic Control Lane Closure Non-Freeway Dual Lane	6.000 EACH
0330	SPV.0060 Special 05. Traffic Control Lane Closure Roundabout Single Lane	100.000 EACH
0340	SPV.0060 Special 06. Traffic Control Lane Closure Roundabout Dual Lane	6.000 EACH
0350	SPV.0060 Special 07. Coring Asphalt or Concrete	11.000 EACH
0360	SPV.0060 Special 08. Backfilling Unused Sign Post Box Outs/Holes	15.000 EACH
0370	SPV.0165 Special 01. Revising Sign Type II	305.580 SF
0380	SPV.0060 Special 09. Linear Delineation System	231.000 EACH
	SECTION 0001 TOTAL				.	.
	TOTAL BID				.	.