



Wisconsin Department of Transportation

July 6, 2015

Division of Transportation Systems Development

Bureau of Project Development
4802 Sheboygan Avenue, Rm 601
P O Box 7916
Madison, WI 53707-7916

NOTICE TO ALL CONTRACTORS:

Telephone: (608) 266-1631
Facsimile (FAX): (608) 266-8459

Proposal #27: 1560-30-71, WISC 2015 434
Spoooner - Hayward
CTH M – Vermont Ave.
USH 63
Washburn & Sawyer Counties

Letting of July 14, 2015

This is Addendum No. 02, which provides for the following:

Special Provisions

Revised Special Provisions	
Article No.	Description
3	Prosecution and Progress

Schedule of Items

Revised Bid Item Quantities					
Bid Item	Item Description	Unit	Old Quantity	Revised Quantity	Proposal Total
646.0106	Pavement Marking Epoxy 4-Inch	LF	134467	239791	239791
646.0406	Pavement Marking Same Day Epoxy 4-Inch	LF	210648	105324	105324
690.0150	Sawing Asphalt	LF	1367	664	664

Plan Sheets

Revised Plan Sheets	
Plan Sheet	Plan Sheet Title (brief description of changes to sheet)
14	Construction Details-Butt Joint Detail
98	Misc. Quantity Sheet-Paint Quantities
99	Misc. Quantity Sheet-Sawing Asphalt Quantity

The responsibility for notifying potential subcontractors and suppliers of these changes remains with the prime contractor.

Sincerely,

Mike Coleman

Proposal Development Specialist
Proposal Management Section

ADDENDUM NO. 1

1560-30-71

July 6, 2015

Special Provisions

3. Prosecution and Progress.

Replace entire article language with the following:

Begin work within ten calendar days after the engineer issues a written notice to do so.

Provide the start date to the engineer in writing within a month after executing the contract but at least 14 calendar days before the preconstruction conference. Upon approval, the engineer will issue the notice to proceed within ten calendar days before the approved start date.

To revise the start date, submit a written request to the engineer at least two weeks before the intended start date. The engineer will approve or deny that request based on the conditions cited in the request and its effect on the department's scheduled resources.

The contract time for completion is based on an expedited work schedule and may require extraordinary forces and equipment.

The contractor shall coordinate construction activities so that USH 63 traffic does not travel on base aggregate longer than 5 (five) calendar days or over a weekend or any periods of time covered by the holiday work restrictions.

Centerline elevations of both lanes shall match at the end of each day for the milling and paving operations.

Hold a pre-pave meeting prior to the start of milling and paving operations. In addition to discussing normal operation procedures and traffic handling, provide a contingency plan to handle machinery breakdowns or other uncontrollable events that would affect the ability to replace the milled asphaltic surface with the HMA pavement layer or the ability to apply pavement markings. The engineer must approve this contingency plan prior to the start of milling and paving operations.

Schedule of Items

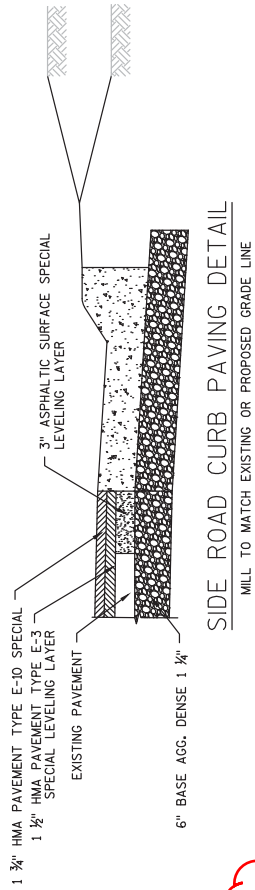
Attached, dated July 6, 2015, are the revised Schedule of Items Pages 11 and 12.

Plan Sheets

The following 8½ x 11-inch sheets are attached and made part of the plans for this proposal:

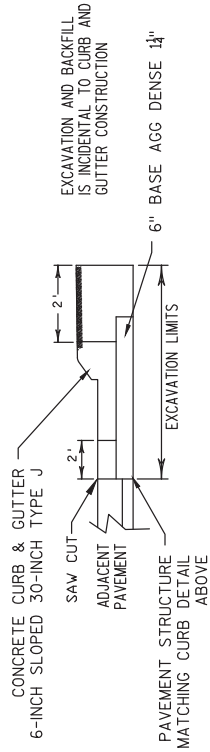
Revised: 14, 98, and 99.

END OF ADDENDUM



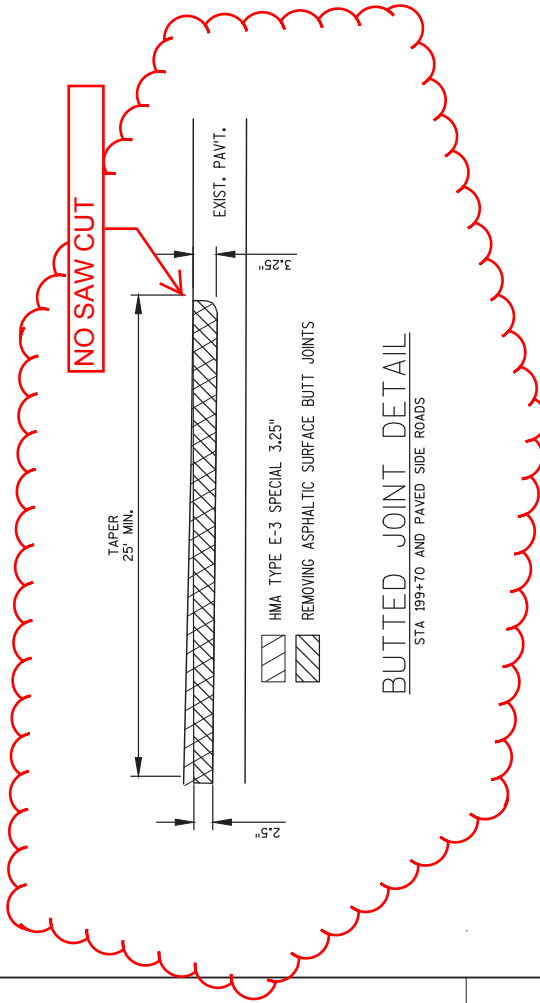
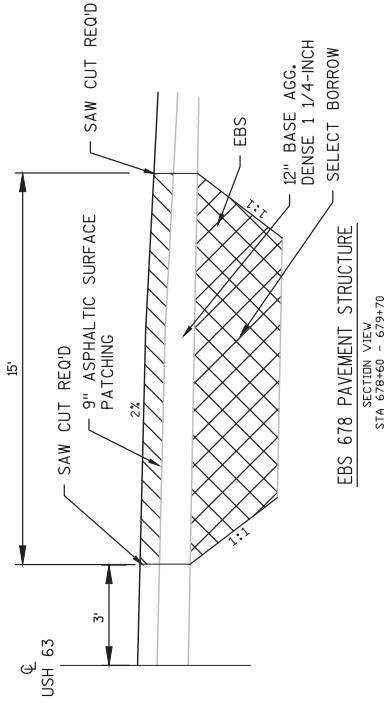
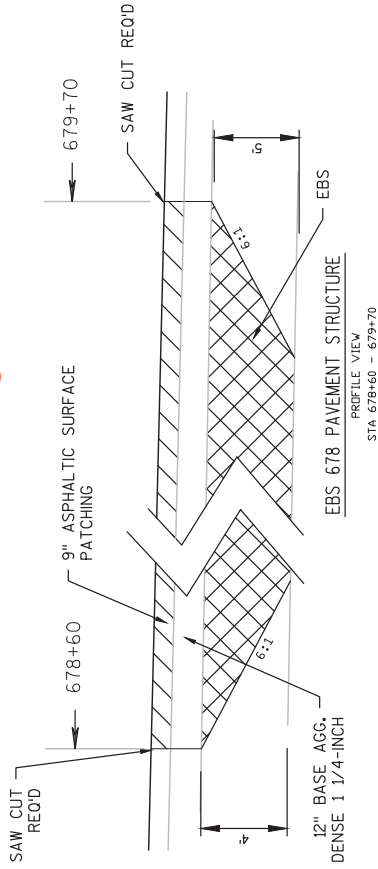
SIDE ROAD CURB PAVING DETAIL

MILL TO MATCH EXISTING OR PROPOSED GRADE LINE



CONCRETE CURB & GUTTER DETAIL

SPRINGBROOK - STA. 203+91.3 - 217+75 LT



Addendum No. 02
ID 1560-30-71
Revised Sheet 14
July 6, 2015

PROJECT NO: 1560-30-71	HWY: USH 63	COUNTY: WASHBURN - SAWYER	CONSTRUCTION DETAILS	SHEET 14	E
FILE NAME : N:\PROJ\30\15603000\SHEETS\OTHER\CONST-DETAIL\15603071_CD.DWG					
PLOT DATE : 7.2.2015 3:58 PM					
PLOT BY : PEARSON, MICHAEL R PLOT NAME : PLOT SCALE : 1 IN:40 FT					

MISCELLANEOUS QUANTITIES

PAVEMENT MARKING SUMMARY

CAT	STATION TO	STATION	LF	EACH	LF	REMARKS				
646.0106	646.0126	646.0406	647.0256	647.0356	647.0566	648.0100	649.0200	TEMPORARY		
EPOXY	EPOXY	EPOXY	SYMBOLS	WORDS	STOP	CROSSWALK	LOCATE	NO REFLECTIVE		
4-1 INCH	8-1 INCH	SAME DAY	EPOXY	EPOXY	LINE	EPOXY	PASS	PAINT		
WHITE	WHITE	YELLOW	4-1 INCH	"PEDESTRIAN"	"XING"	18-1 INCH	24-1 INCH	4-1 INCH		
EDGE	LANE CENTER	YELLOW	WHITE	YELLOW	WHITE	YELLOW	YELLOW	YELLOW		
LF	LF	LF	LF	LF	LF	LF	LF	LF		
0010	199+80	- 828+00	2250	239791	105324	2250	825	192	200858	GREENWOOD
TOTAL	0010	239791	2	2	2	825	192	13	200858	

STAKING SUMMARY 1

LF	STATION TO	STATION	EACH	LF	REMARKS
0010	212+86.4	218+25	1	1490	INLET SPRINGBROOK
0010	204+00	- 204+50	RT	135	SPRINGBROOK
0010	203+00	- 241+00	RT	134	CTH M SOUTH
0010	240+00	- 260+00	LT	137	LARSON RD
0010	258+00	- 371+00	LT	164	HAMI LTON
0010	369+00	- 472+00	LT	140	CTH F
0010	470+00	- 577+00	RT	144	CTH M NORTH
0010	575+50	- 584+00	RT	150	CTH E
0010	582+50	- 655+00	RT	152	STINNETT RD
0010	653+50	- 684+00	RT	111	RIVER RD
0010	683+00	- 760+50	RT	157	RIVER ALLEY
0010	759+50	- 862+50	RT	151	L. P. PLANT
0010	860+50	- 872+00	RT	151	NURSERY RD
0010	871+50	- 875+05	RT	158	VERMONT RT
0010	874+75	- 875+05	LT	41	DRIVE CURB
TOTAL	0010	1	1	3264	

STAKING SUMMARY 2

LF	STATION TO	STATION	EACH	LF	REMARKS
0010	199+80	- 203+28	RT	350	CTH M SOUTH TURN LANE
0010	742+00	- 748+00	RT	550	SHOULDER FILL
0010	829+00	- 832+00	LT-RT	300	SHOULDER FILL
TOTAL	0010	350	350	1200	

STAKING SUMMARY 3

LF	STATION TO	STATION	EACH	LF	LS	REMARKS
0010	199+80	876+08	1	67628	1	PROJECT
0010	202+39	- 202+47	1	1	2 @ 36"	CPRC
0010	218+81	- 202+47	1	1	1 @ 18"	CPCM EXT
0010	430+27	- 202+47	1	1	1 @ 24"	CPRC
0010	492+04	- 507+28	2	2	1 @ 14"X23"	ELIP
0010	507+22	- 507+28	2	2	2 @ 24"	CPRC
0010	549+48	- 507+28	2	2	1 @ 36"	CPRC
0010	655+09	- 655+15	1	1	2 @ 24"	CPRC
0010	736+00	- 737+00	1	1	1 @ 18"	CPCM EXT
0010	790+82	- 791+50	1	1	1 @ 18"	CPCM
0010	870+10	- 870+23	2	2	2 @ 48"	CPRC
0010	872+00	872+60	1	1	1 @ 18"	CPCM EXT
TOTAL	0010	14	14	67628	1	

Addendum No. 02
ID 1560-30-71
Revised Sheet 98
July 6, 2015

MISCELLANEOUS QUANTITIES

SAWING ASPHALT			
STATION	QTY	LF	REMARKS
0010 203+00	N/A	70	PIPES
0010 218+00	LT	20	LEGION
0010 259+00	LT	20	HAMILTON
0010 370+00	LT	24	CTH F
0010 370+00	LT	20	TRANSUS
0010 430+00	N/A	60	PIPE
0010 507+00	N/A	80	PIPE
0010 549+00	N/A	60	PIPE
0010 655+00	N/A	60	PIPES
0010 678+60	N/A	130	EBS AREA
0010 870+00	N/A	120	PIPES
TOTAL 0010			664

SPECIAL PAVING PAY ITEMS					
CAT.	STATION	TO	STATION	LOC.	REMARKS
0010	PROJECT				
0010	199+80	-	876+08	1	CENTERLINE
0010	305+00	-	351+00	LT	PASS LANE
0010	378+00	-	423+00	RT	PASS LANE
0010	726+00	-	784+00	LT	PASS LANE
TOTAL 0010					82528

Addendum No. 02
 ID 1560-30-71
 Revised Sheet 99
 July 6, 2015

SCHEDULE OF ITEMS

REVISED:

CONTRACT:
20150714027PROJECT(S):
1560-30-71FEDERAL ID(S):
WISC 2015434

CONTRACTOR : _____

LINE NO	ITEM DESCRIPTION	APPROX. QUANTITY AND UNITS	UNIT PRICE		BID AMOUNT	
			DOLLARS	CTS	DOLLARS	CTS
1010	646.0106 Pavement Marking Epoxy 4-Inch	239,791.000 LF
1020	646.0126 Pavement Marking Epoxy 8-Inch	2,250.000 LF
1030	646.0406 Pavement Marking Same Day Epoxy 4-Inch	105,324.000 LF
1040	647.0256 Pavement Marking Symbols Epoxy	2.000 EACH
1050	647.0356 Pavement Marking Words Epoxy	2.000 EACH
1060	647.0566 Pavement Marking Stop Line Epoxy 18-Inch	825.000 LF
1070	647.0796 Pavement Marking Crosswalk Epoxy 24-Inch	192.000 LF
1080	648.0100 Locating No-Passing Zones	13.000 MI
1090	649.0200 Temporary Pavement Marking Reflective Paint 4-Inch	200,858.000 LF
1100	650.4000 Construction Staking Storm Sewer	1.000 EACH
1110	650.4500 Construction Staking Subgrade	350.000 LF

SCHEDULE OF ITEMS

REVISED:

CONTRACT:
20150714027PROJECT(S):
1560-30-71FEDERAL ID(S):
WISC 2015434

CONTRACTOR : _____

LINE NO	ITEM DESCRIPTION	APPROX. QUANTITY AND UNITS	UNIT PRICE		BID AMOUNT	
			DOLLARS	CTS	DOLLARS	CTS
1120	650.5000 Construction Staking Base	350.000 LF
1130	650.5500 Construction Staking Curb Gutter and Curb & Gutter	3,264.000 LF
1140	650.6000 Construction Staking Pipe Culverts	14.000 EACH
1150	650.8000 Construction Staking Resurfacing Reference	67,628.000 LF
1160	650.9910 Construction Staking Supplemental Control (project) 01. 1560-30-71	LUMP	LUMP	.	.	.
1170	650.9920 Construction Staking Slope Stakes	1,200.000 LF
1180	690.0150 Sawing Asphalt	664.000 LF
1190	ASP.1T0A On-the-Job Training Apprentice at \$5.00/HR	990.000 HRS	5.00000	.	4950.00	.
1200	ASP.1T0G On-the-Job Training Graduate at \$5. 00/HR	2,400.000 HRS	5.00000	.	12000.00	.
1210	SPV.0090 Special 01. Concrete Curb And Gutter Cure And Seal Treatment	3,344.000 LF