



Wisconsin Department of Transportation

July 9, 2015

Division of Transportation Systems Development

Bureau of Project Development
4802 Sheboygan Avenue, Rm 601
P O Box 7916
Madison, WI 53707-7916

Telephone: (608) 266-1631
Facsimile (FAX): (608) 266-8459

NOTICE TO ALL CONTRACTORS:

Proposal #29: 7995-02-40, WISC 2015 437
City of Eau Claire, Water Street
Chippewa River Bridge B-18-0219
Local Street
Eau Claire County

Letting of July 14, 2015

This is Addendum No. 01, which provides for the following:

Special Provisions

Revised Special Provisions	
Article No.	Description
48	Temporary Causeways, Item SPV.0105.04

Plan Sheets

Revised Plan Sheets	
Plan Sheet	Plan Sheet Title (brief description of changes to sheet)
5	Construction Details (revised Temporary Causeway Detail)

The responsibility for notifying potential subcontractors and suppliers of these changes remains with the prime contractor.

Sincerely,

Mike Coleman

Proposal Development Specialist
Proposal Management Section

ADDENDUM NO. 01

7992-02-40

July 9, 2015

Special Provisions

48. Temporary Causeways, Item SPV.0105.04

*Replace the fifth paragraph under **C Construction** with the following:*

Construct the temporary causeways to obtain a usable travel way for delivery of equipment and materials. The causeway for construction of the new structure shall have a maximum 30-foot top width, with the orientation as shown in the plans. The maximum elevation of the causeway shall be 764.00 feet.

Plan Sheets

The following 8½ x 11-inch sheets are attached and made part of the plans for this proposal:

Revised: 5.

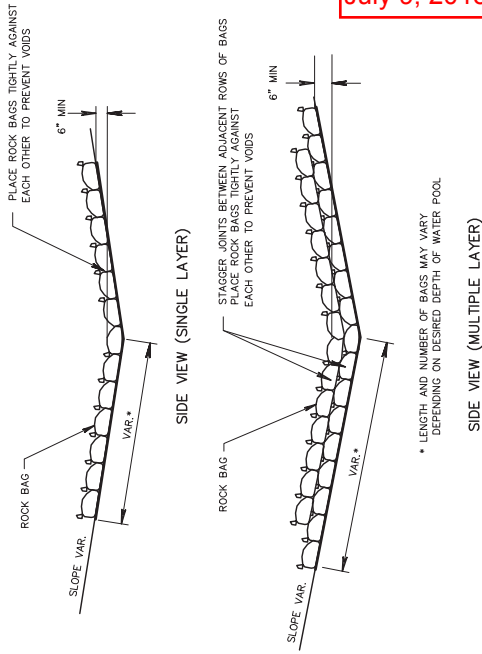
END OF ADDENDUM

RUNOFF COEFFICIENT TABLE

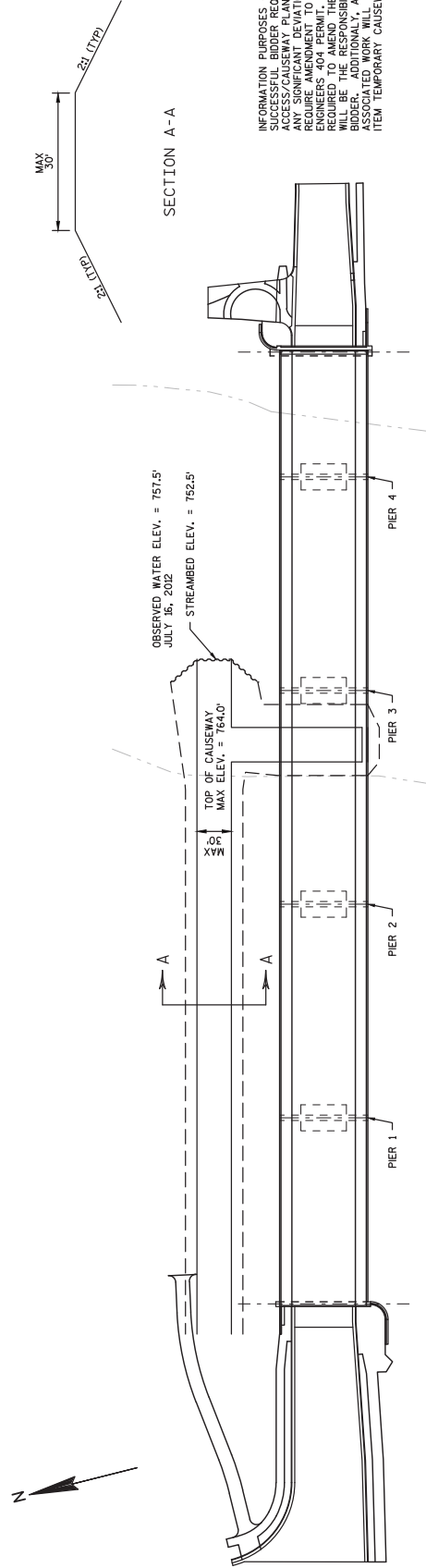
LAND USE	HYDROLOGIC SOIL GROUP											
	A			B			C			D		
	SLOPE RANGE (PERCENT)	2-6	6 & OVER	SLOPE RANGE (PERCENT)	2-6	6 & OVER	SLOPE RANGE (PERCENT)	2-6	6 & OVER	SLOPE RANGE (PERCENT)	2-6	6 & OVER
ROW GROPS	.08	.16	.22	.12	.20	.27	.15	.24	.33	.19	.28	.38
MEDIAN STRIP-TURF	.19	.20	.24	.26	.34	.44	.30	.37	.50	.34	.41	.56
SIDE SLOPE-TURF	.24	.26	.30	.19	.22	.26	.20	.23	.30	.20	.25	.30
PAVEMENT:		.25	.32		.25	.33		.26	.30		.27	.32
ASPHALT					.27	.34		.28	.36		.30	.38
CONCRETE					.70	.95						
BRICK					.80	.95						
DRIVES, WALKS					.70	.80						
ROOFS					.75	.85						
GRAVEL ROADS, SHOULDERS					.75	.95						
					.40	.60						

TOTAL PROJECT AREA = 4.83 ACRES
 TOTAL AREA EXPECTED TO BE DISTURBED BY CONSTRUCTION ACTIVITIES = 2.12 ACRES

Addendum No. 01
 ID 7995-02-40
 Revised Sheet 5
 July 9, 2015



ROCK BAGS (DITCH CHECK) DETAIL



TYPICAL CAUSEWAY DETAIL

INFORMATION PURPOSES ONLY: SUCCESSFUL BIDDER REQUIRED TO SUBMIT PROPOSED ACCESSORY DETAILS FOR CONSTRUCTION OF THIS PLAN. MAY REQUIRE AMENDMENT TO THE ARMY CORP OF ENGINEERS 404 PERMIT. ALL COSTS AND WORK REQUIRED TO AMEND THE PERMIT AND GET APPROVAL FROM THE ARMY CORP OF ENGINEERS WILL BE THE RESPONSIBILITY OF THE SUCCESSFUL BIDDER. ADDITIONAL MODIFICATIONS AND ASSOCIATED WORK WILL BE INCIDENTAL TO THE BID ITEM TEMPORARY CAUSEWAYS.