



# Wisconsin Department of Transportation

March 3, 2016

## Division of Transportation Systems Development

Bureau of Project Development  
4802 Sheboygan Avenue, Rm 601  
P O Box 7916  
Madison, WI 53707-7916

Telephone: (608) 266-1631  
Facsimile (FAX): (608) 266-8459

### NOTICE TO ALL CONTRACTORS:

**Proposal #17: 1491-12-71, WISC 2016 059**  
**Village of Wausaukee**  
**STH 180 – N. Village Limits**  
**USH141**  
**Marinette County**

### Letting of March 8, 2016

This is Addendum No. 01, which provides for the following:

#### Special Provisions

Revised Special Provisions	
Article No.	Description
16	Excavation, Hauling, and Disposal of Petroleum Contaminated Soil, Item 205.0501.S
57	Stone Bollard, Item SPV.0060.33
71	Stone Pavers, Item SPV.0165.03

Added Special Provisions	
Article No.	Description
73	Information for Bidders, Economic Opportunities for Low and Very Low Income Persons. SECTION 3 CLAUSE – 24 CFR 135.38

#### Schedule of Items

Revised Bid Item Quantities					
Bid Item	Item Description	Unit	Old Quantity	Revised Quantity	Proposal Total
205.0501.S	Excavation, Hauling, and Disposal of Petroleum Contaminated Soil	TON	2,800	4,168	6,698

## Plan Sheets

Revised Plan Sheets	
Plan Sheet	Plan Sheet Title (brief description of changes to sheet)
19	Construction Details (The estimated limits of soil contamination have been revised to more accurately represent what areas are thought to contain contaminated soils.)
20	Construction Details (The estimated limits of soil contamination have been revised to more accurately represent what areas are thought to contain contaminated soils.)
50	Streetscape Construction Details (The Stone Paver detail was removed from this sheet and further detailed on sheet 51.)
51	Streetscape Construction Details (The Stone Paver, Perennial, and Tree Details were all modified to show further detailed information)
52	Streetscape Construction Details (Include plan note for landscaping layout responsibility)
102	Miscellaneous Quantities (Excavation, Hauling, and Disposal of Petroleum Contaminated Soils table revised to reflect changes in the estimated limits of soil contamination areas found on sheets 19 and 20.)

The responsibility for notifying potential subcontractors and suppliers of these changes remains with the prime contractor.

Sincerely,

*Mike Coleman*

Proposal Development Specialist  
Proposal Management Section

**ADDENDUM NO. 01**

**1491-12-71**

**March 3, 2016**

**Special Provisions**

**16. Excavation, Hauling, and Disposal of Petroleum Contaminate Soil, Item 205.0501.S.**

*Replace entire article language with the following:*

**A Description**

**A.1 General**

This special provision describes excavating, loading, hauling, and disposing of petroleum contaminated soil at a WDNR-licensed bioremediation facility. The closest WDNR-licensed landfill facilities are:

Waste Management Ridgeview Landfill  
6207 Hempton Lake Road,  
Whitelaw, WI 54247  
Phone 920-732-4473

Advanced Disposal Hickory Meadows Landfill  
W3105 Schneider Road  
Hilbert, WI 54129  
Phone 920-853-8553

Perform this work in accordance to standard spec 205 and with pertinent parts of Chapters NR 700-754 of the Wisconsin Administrative Code, as supplemented herein. Per NR 718.07, a solid waste collection and transportation service-operating license is required under NR 502.06 for each vehicle used to transport contaminated soil.

**A.2 Notice to the Contractor – Contaminated Soil Location**

The department and others completed testing for soil contamination for locations within this project where excavation is required. Testing indicated that soil contaminated with petroleum volatile organic compounds (PVOCs) is present at the following locations as shown on the plans where excavation is required:

- STH 141 STA 66+25 to 69+00 throughout the project limits from 0' bgs to at least 8' bgs. Soil contains benzene and diesel range organics (DRO) above residual contaminant levels (RCLs) and other petroleum contaminants and must be managed.
- STH 141 STA 72+30 to 76+00 throughout the project limits, from 0' bgs to at least 10' bgs. Soil contains benzene and gasoline range organics (GRO) above RCLs and other petroleum contaminants and must be managed.
- STH 141 STA 78+50 to 80+50 throughout the project limits from 0' bgs to at least 2' bgs. Soil contains benzene above the RCL and other petroleum contaminants and must be managed.
- STH 141 STA 90+63 to 92+70 from reference line to project limits right from 0' bgs to at least 2' bgs. Soil contains benzene above the RCL and other petroleum contaminants and must be managed.
- STH 141 STA 92+70 to 92+75 throughout the project limits from 0' bgs to at least 8' bgs. Soil contains benzene and polycyclic aromatic hydrocarbons (PAHs) above the RCLs and other

petroleum contaminants and must be managed. Groundwater sampling has shown that benzene exceeds the NR 140, WAC Enforcement Standard here.

If contaminated soils are encountered elsewhere on the project, terminate excavation activities in the area and notify the engineer.

The excavation management plan for this project has been designed to minimize the offsite disposal of contaminated material. The excavation plan, including these special provisions, has been developed in cooperation with the WDNR. The WDNR concurrence letter is on file at the Wisconsin Department of Transportation. For further information regarding previous investigation and remediation activities at these sites contact:

Name: Ms. Kathie VanPrice  
WisDOT Northeast Region Hazardous Materials Coordinator  
Address: 944 Vanderperren Way  
Green Bay, WI 54324  
Phone: 920-492-7175  
Fax: 920-366-5674  
E-mail: [kathie.vanprice@dot.wi.gov](mailto:kathie.vanprice@dot.wi.gov)

### **A.3 Coordination**

Coordinate work under this contract with the environment consultant:

Consultant: Natural Resource Technology (NRT)  
Address: 234 W. Florida Street, Fifth Floor, Milwaukee, WI 53204  
Contact: Mr. Ken Yass, PE, CHMM  
Phone: 414-837-3637  
Fax: 414-837-3608  
E-mail: [kyass@naturalrt.com](mailto:kyass@naturalrt.com)

The role of the environmental consultant will be limited to:

1. Determining the location and limits of contaminated soil to be excavated based on soil analytical results from previous investigations, visual observations, and field screening of soil that is excavated;
2. Identifying contaminated soils to be hauled to the landfill facility;
3. Documenting that activities associated with management of contaminated soil are in conformance with the contaminated soil management methods for this project as specified herein; and,
4. Obtaining the necessary approvals for disposal of contaminated soil from the landfill facility.

Provide at least a 14-calendar day notice of the preconstruction conference date to the environmental consultant. At the preconstruction conference, provide a schedule for all excavation in the areas of contamination to the environmental consultant. Also notify the environmental consultant at least three (3) calendar days prior to commencement of excavation activities in each of the contaminated areas.

Coordinate with the environmental consultant to ensure that the environmental consultant is present during excavation and any dewatering activities in the contaminated areas. Perform excavation work in each of the contaminated areas on a continuous basis until excavation work is completed.

Identify the WDNR-licensed landfill facility that will be used for bioremediation and/or disposal of contaminated soils, and provide this information to the environmental consultant no later than 30 calendar days prior to commencement of excavation activities in the contaminated areas or at the preconstruction conference, whichever comes first. The environmental consultant will be responsible for obtaining the necessary approvals from the landfill facility for bioremediation and disposal of

contaminated soils. Do not transport contaminated soil offsite without prior approval from the environmental consultant.

Contractor shall be responsible for obtaining the necessary approvals and coordinating disposal of water if excavation dewatering in a contaminated area should be needed.

#### **A.4 Health and Safety Requirements**

*Supplement standard spec 107.1 with the following:*

During excavation activities, expect to encounter soil contaminated with benzene, DRO, GRO, PAHs and potentially other petroleum products. Site workers taking part in activities that will result in the reasonable probability of exposure to safety and health hazards associated with hazardous materials shall have completed health and safety training that meets the Occupational Safety and Health Administration (OSHA) requirements for Hazardous Waste Operations and Emergency Response (HAZWOPER), as provided in 29 CFR 1910.120.

Prepare a site-specific Health and Safety Plan, and develop, delineate and enforce the health and safety exclusion zones for each contaminated site location as required by 29 CFR 1910.120. Submit the site-specific health and safety plan and written documentation of up-to-date OSHA training to the engineer prior to the start of work.

#### **B (Vacant)**

#### **C Construction**

*Supplement standard spec 205.3 with the following:*

Control operations in the contaminated areas to minimize the quantity of contaminated soil excavated.

The environmental consultant will periodically monitor soil excavated from the contaminated areas. The environmental consultant will evaluate excavated soil based on field screening results, visual observations, and soil analytical results from previous environmental investigations. Assist the environmental consultant in collecting soil samples for evaluation using excavation equipment. The sampling frequency shall be a maximum of one sample for every 15 cubic yards excavated.

On the basis of the results of such field-screening, the material will be designated for disposal as follows:

- Excavation Common consisting of clean soil and/or clean construction and demolition fill (such as clean soil, boulders, concrete, reinforced concrete, bituminous pavement, bricks, building stone, and unpainted or untreated wood), which under NR 500.08 are exempt materials, or
- Low-level contaminated material for reuse as fill within the construction limits, or
- Contaminated soil for off-site treatment and disposal at the WDNR-licensed bioremediation facility, or
- Potentially contaminated for temporary stockpiling and additional characterization prior to disposal.

Directly load and haul soils designated by the environmental consultant for offsite disposal to the WDNR-licensed landfill facility. Use loading and hauling practices that are appropriate to prevent any spills or releases of petroleum-contaminated soils or residues. Prior to transport, sufficiently dewater soils designated for off-site disposal so as not to contain free liquids.

**D Measurement**

The department will measure Excavation, Hauling, and Disposal of Petroleum Contaminated Soil in tons of contaminated soil accepted by the WDNR-licensed landfill facility as documented by weight tickets generated by the landfill facility.

**E Payment**

The department will pay for measured quantities at the contract unit price under the following bid item:

ITEM NUMBER	DESCRIPTION	UNIT
205.0501.S	Excavation, Hauling, and Disposal of Petroleum Contaminated Soil	Ton

Payment is full compensation for excavating, segregating, loading, hauling, and disposal of contaminated soil; obtaining solid waste collection and transportation service operating licenses; assisting in the collection soil samples for field evaluation; and dewatering of soils prior to transport, if necessary.

205-003 (20080902)

**57. Stone Bollard, Item SPV.0060.33**

*Replace the first sentence under section titled **B Materials** with the following:*

Stone bollard shall be chiseled face granite.

**71. Stone Pavers, Item SPV.0165.03**

*Replace paragraph one under section titled **B.Materials** with the following:*

Stone pavers shall be irregular shaped granite flagstone of uniform thickness of no less than 2 inches. Stone shall generally consist of dark gray/blackish granite, flame or thermal finish, in color meeting dimensions and sizes as shown on Streetscape Detail sheets. Contractor shall provide material source and stone sample for acceptance prior to ordering material. 1” depth sand leveling course shall be clean coarse/sharp sand suitable for paver bedding applications. Joint sand shall be granite sand in similar color to granite flagstone. Granite chip shall be 3/8” minus aggregate size and used between tree trunks and edge of stone pavers. Pavement bedding sand, joint sand and granite chip shall be considered incidental to stone paver work in this special provision. Provide samples to Engineer for approval.

**73. Information for Bidders, Economic Opportunities for Low and Very Low Income Persons. SECTION 3 CLAUSE – 24 CFR 135.38**

a. The work to be performed under this contract is subject to the requirements of Section 3 of the Housing and Urban Development Act of 1968, as amended, 12 U.S.C. 1701u (Section 3). The purpose of Section 3 is to ensure that employment and other economic opportunities generated by HUD assistance or HUD-assisted projects covered by Section 3, shall, to the greatest extent feasible, be directed to low- and very low-income persons, particularly persons who are recipients of HUD assistance for housing.

b. The parties to this contract agree to comply with HUD's regulations in 24 CFR Part 135, which implement Section 3. As evidenced by their execution of this contract, the parties to this contract certify that they are under no contractual or other impediment that would prevent them from complying with the Part 135 regulations.

c. The contractor agrees to send to each labor organization or representative of workers with which the contractor has a collective bargaining agreement or other understanding, if any, a notice advising the labor organization or workers' representative of the contractor's commitment under this Section 3 clause, and will post copies of the notice in conspicuous places at the work site where both employees and applicants for training and employment positions can see the notice. The notice shall describe the Section 3 preference, shall set forth minimum number and job titles subject to hire, availability of apprenticeship and training positions, the qualifications for each; and the name and location of the person(s) taking applications for each of the positions; and the anticipated date the work shall begin.

d. The contractor agrees to include this Section 3 clause in every subcontract subject to compliance with regulations in 24 CFR Part 135, and agrees to take appropriate action, as provided in an applicable provision of the subcontract or in this Section 3 clause, upon a finding that the subcontractor is in violation of the regulations in 24 CFR Part 135. The contractor will not subcontract with any subcontractor where the contractor has notice or knowledge that the subcontractor has been found in violation of the regulations in 24 CFR Part 135.

e. The contractor will certify that any vacant employment positions, including training positions, that are filled (1) after the contractor is selected but before the contract is executed, and (2) with persons other than those to whom the regulations of 24 CFR Part 135 require employment opportunities to be directed, were not filled to circumvent the contractor's obligations under 24 CFR Part 135.

f. Noncompliance with HUD's regulations in 24 CFR Part 135 may result in sanctions, termination of this contract for default, and debarment or suspension from future HUD- assisted contracts.

g. With respect to work performed in connection with Section 3 covered Indian housing assistance, Section 7 (b) of the Indian Self-Determination and Education Assistance Act (25 U.S.C. 450e) also applies to the work to be performed under this contract. Section 7 (b) requires that to the greatest extent feasible (1) preference and opportunities for training and employment shall be given to Indians, and (2) preference in the award of contracts and subcontracts shall be given to Indian organizations and Indian-owned Economic Enterprises. Parties to this contract that are subject to the provisions of Section 3 and Section 7 (b) agree to comply with Section 3 to the maximum extent feasible, but not in derogation of compliance with Section 7 (b).

#### **Schedule of Items**

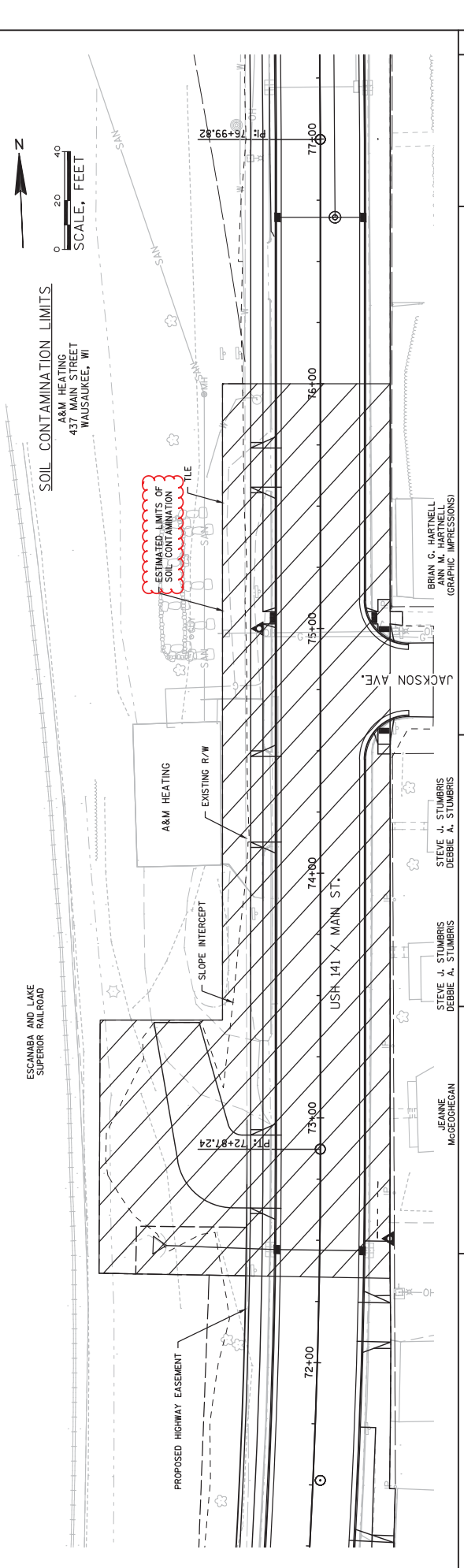
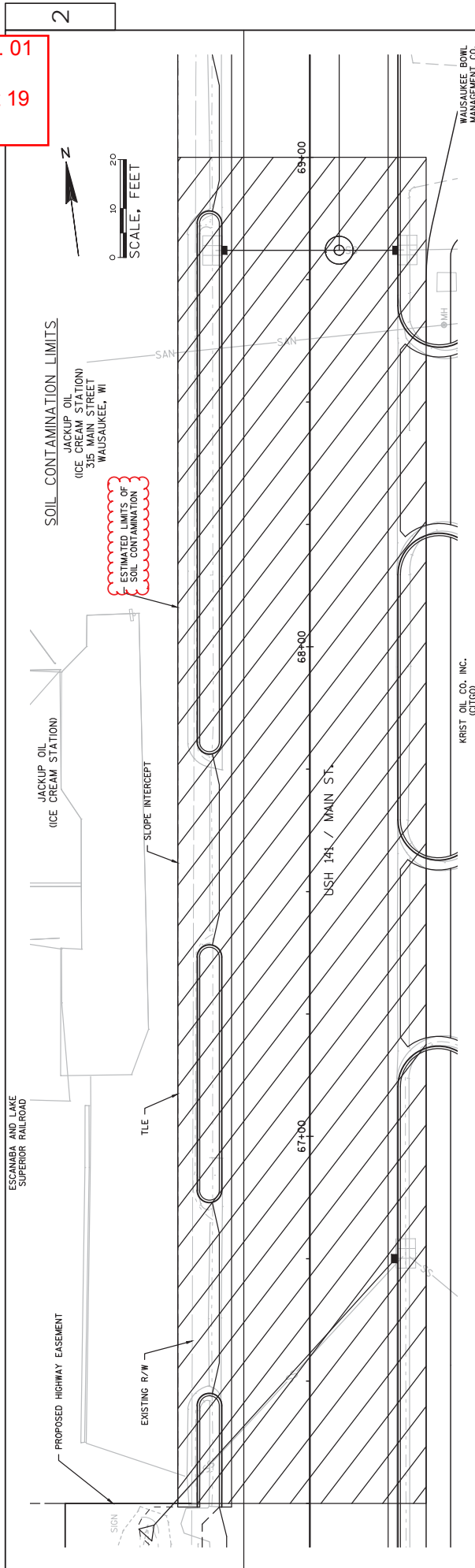
Attached, dated March 3, 2016, are the revised Schedule of Items Page 3.

#### **Plan Sheets**

The following 8½ x 11-inch sheets are attached and made part of the plans for this proposal:  
Revised: 19, 20, 50, 51, 52, and 102.

END OF ADDENDUM

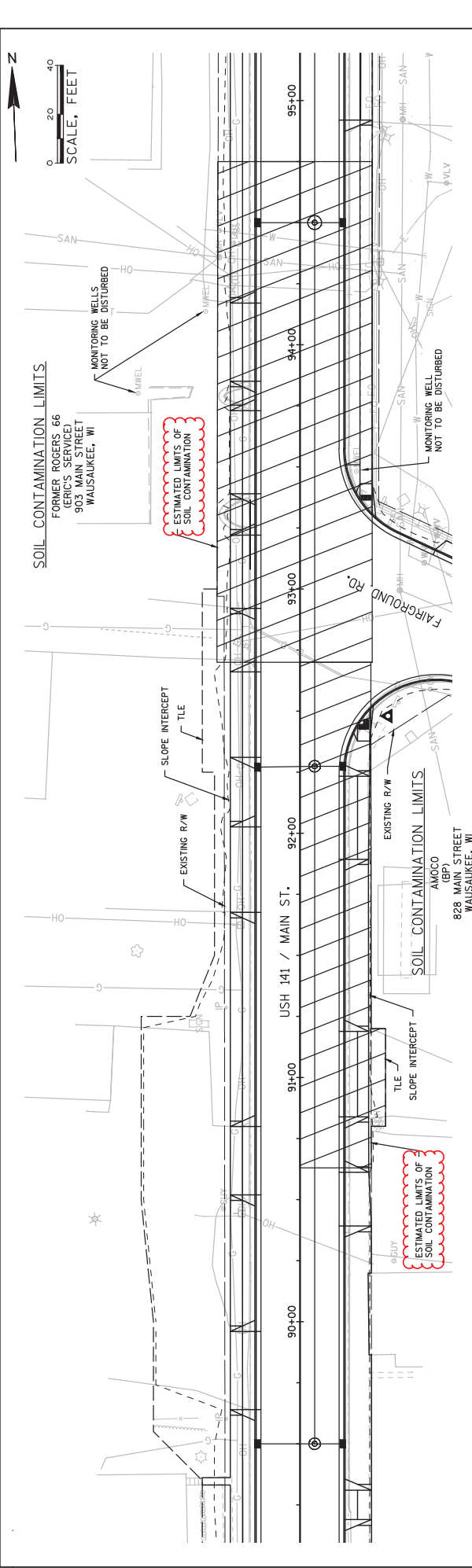
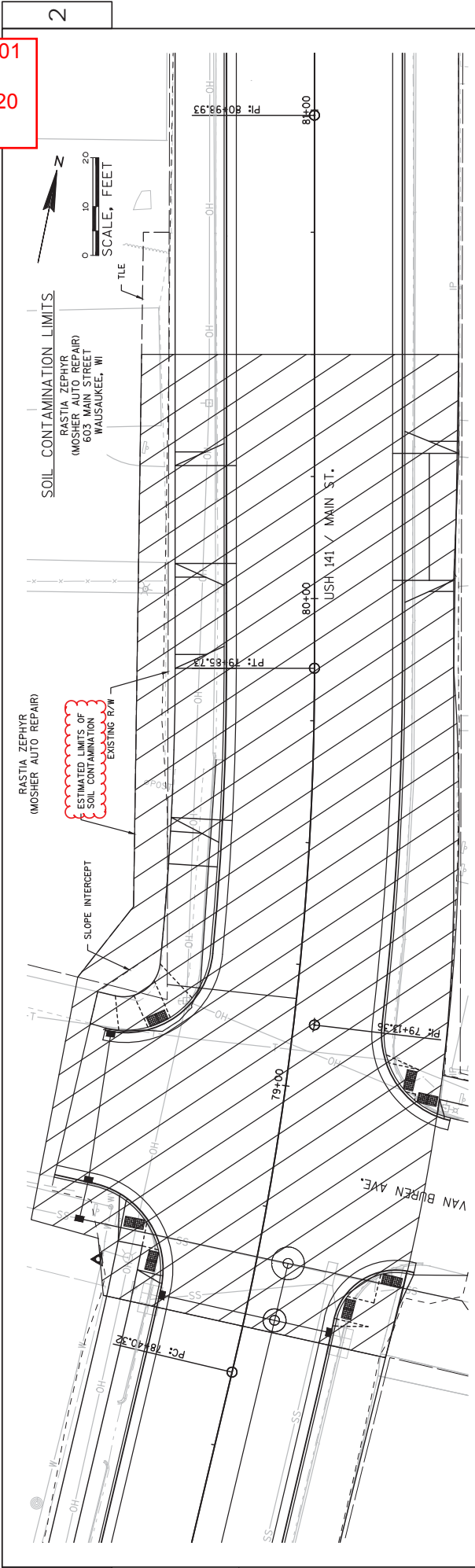
Addendum No. 01  
 ID 1491-12-71  
 Revised Sheet 19  
 March 3, 2016



PROJECT NO: 1491-12-71	HWY: USH 141	COUNTY: MARINETTE	CONSTRUCTION DETAILS	SHEET	19	E
FILE NAME : F:\DATA\CAD PROJECTS\CAD08049 WAUSAUKEE\1491-21-7A\SHEETS\PLAN\021002.CD.DWG			PLOT DATE : 2/19/2016 10:33 AM			PLOT BY : JEFF GLORY
			PLOT NAME :			WISDOT/CADD'S SHEET 42
						DECOR TOOL INC.



Addendum No. 01  
 ID 1491-12-71  
 Revised Sheet 20  
 March 3, 2016



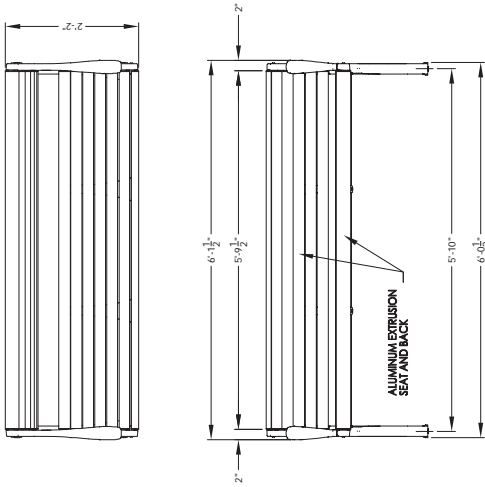
2

2

PROJECT NO: 1491-12-71	HWY: USH 141	COUNTY: MARINETTE	CONSTRUCTION DETAILS	SHEET	20	E
FILE NAME : F:\DATA\CAD PROJECTS\CAD08049 WAUSAUKEE\1491-21-7A\SHEETS\PLAN\021002.CD.DWG						
PLOT DATE : 2/19/2016 10:33 AM						
PLOT BY : JEFF GLORY						
PLOT NAME : -----						

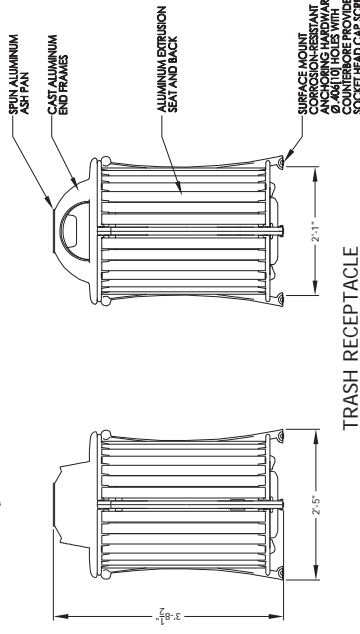
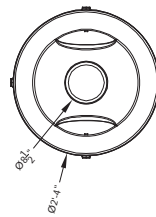
WISDOT/CADD SHEET 42

**NOTE:**  
 SURFACE MOUNT PER MANUFACTURER'S INSTRUCTIONS w/  
 STAINLESS STEEL OR GALVANIZED FASTENERS. PAINT TO  
 MATCH BENCH COLOR.  
 COLOR TO BE SELECTED FROM MANUFACTURER'S STANDARD  
 OPTIONS DURING SHOP DRAWING REVIEW.  
 SUBMIT SHOP DRAWINGS SHOWING MANUFACTURER'S  
 DRAWING, MATERIAL, MODEL, MATERIALS AND DIMENSIONS FOR  
 APPROVAL.

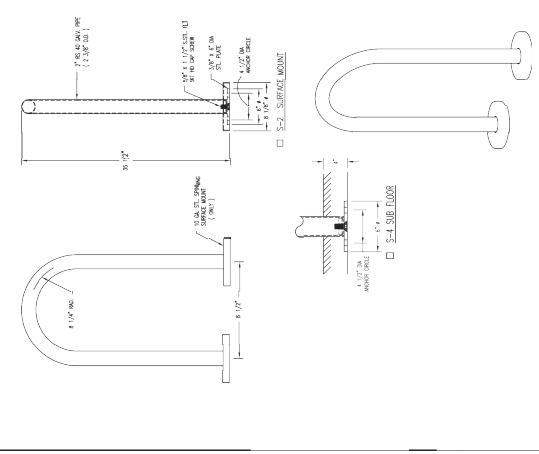


**BENCH**

**NOTE:**  
 BENCHES, BIKE RACKS AND TRASH RECEPTACLES ALL NEED TO  
 BE PLACED 2' FROM THE FACE OF CURB AND OUTSIDE VISION  
 CORNERS AT INTERSECTION.



**TRASH RECEPTACLE**



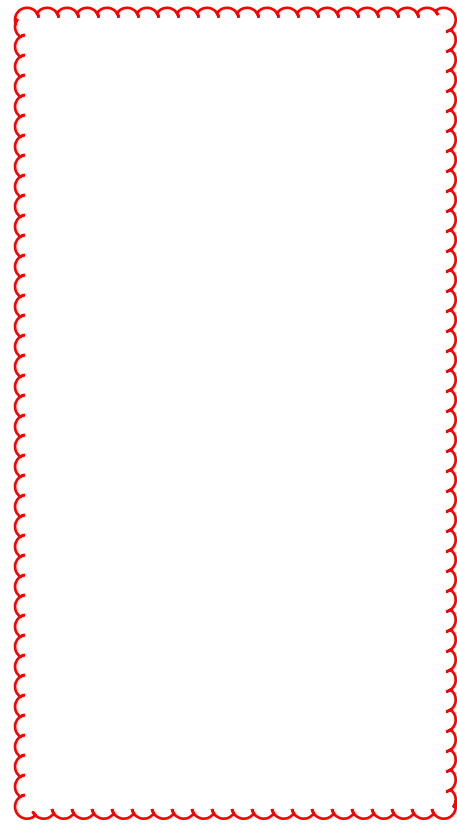
**INSTALLATION FOR SURFACE MOUNT**

- STEP 1 - FC BIKE LOOP SURFACE MOUNT ( 1 )**  
 2 - FSC 3/8" THK SURFACE MOUNT PLATE ( 2 )  
 2 - FSC 5/8" x 1 1/2" SS ST 40 CAP SCREW ( 4 )  
 2 - FSC 5/8" x 1 1/2" SS ST 40 CAP SCREW ( 4 )  
 10 CA 8" DIA ANCHOR COVER ( 1 ) OVER BIKE LOOP  
 10 CA 8" DIA ANCHOR ( 1 )  
 10 CA 8" DIA ANCHOR PLATE COVER  
 IMPERME ( 4 )

REV	DATE	BY	CHKD	DESCRIPTION
1	04-20-2013	JK	JK	10" CA 8" DIA ANCHOR PLATE
2	04-20-2013	JK	JK	10" CA 8" DIA ANCHOR PLATE
3	04-20-2013	JK	JK	10" CA 8" DIA ANCHOR PLATE
4	04-20-2013	JK	JK	10" CA 8" DIA ANCHOR PLATE

**NOTES:**  
 A. SEE PLAN FOR LOCATION AND ORIENTATION OF BIKE RACKS. ATTACHMENTS AND FINISHING FOR APPROVAL BY THE VILLAGE.  
 B. SEE PLANS FOR LOCATION AND ORIENTATION OF BIKE RACKS. CONTRACTOR TO PROVIDE MAP SHOWING LOCATION AND ORIENTATION FOR FINAL APPROVAL BY THE VILLAGE.

**BIKE RACK**



Addendum No. 01  
 ID 1491-12-71  
 Revised Sheet 50  
 March 3, 2016





Addendum No. 01  
ID 1491-12-71  
Revised Sheet 102  
March 3, 2016

Base Aggregate Dense

Table with columns: STATION TO, STATION, LOCATION, 305.0110 TON, 305.0120 TON, REMARKS. Includes rows for stations 47+22.72 to 99+00 and a category total of 1,350 tons.

Salvaged Asphaltic Pavement Base and Milling

Table with columns: STATION TO, STATION, LOCATION, 306.0115 Salvaged Asphaltic Pavement Base CY, 490.0200 Salvaged Asphaltic Pavement Milling SY, REMARKS. Includes rows for stations 47+22.72 to 109+00 and a category total of 8,113 SY.

Sealing Pipes

Table with columns: STATION, OFFSET, LOCATION, 204.0280 EACH, Remarks. Includes rows for stations 66+76 and 68+81.

Removing Curb and Gutter

Table with columns: STATION TO, STATION, LOCATION, 204.0150 LF, REMARKS. Includes rows for stations 51+70 to 18+95 and a category total of 7,950 LF.

Excavation, Hauling, and Disposal of Petroleum Contaminated Soil

Table with columns: STATION TO, STATION, LOCATION, 205.0501.5 TON, REMARKS. Includes rows for stations 66+25 to 92+70 and a category total of 6,698 TON.

Shaping Shoulders

Table with columns: STATION TO, STATION, LOCATION, 305.0500 STA. Includes rows for stations 110+50 to 49+00 and a category total of 136 STA.

## SCHEDULE OF ITEMS

REVISED:

CONTRACT:  
20160308017PROJECT(S):  
1491-12-71FEDERAL ID(S):  
WISC 2016059

CONTRACTOR : \_\_\_\_\_

LINE NO	ITEM DESCRIPTION	APPROX. QUANTITY AND UNITS	UNIT PRICE		BID AMOUNT	
			DOLLARS	CTS	DOLLARS	CTS
0220	205.0100 Excavation Common	25,655.000 CY	.	.	.	.
0230	205.0400 Excavation Marsh	134.000 CY	.	.	.	.
0240	205.0501.S Excavation, Hauling, and Disposal of Petroleum Contaminated Soil	6,698.000 TON	.	.	.	.
0250	208.1100 Select Borrow	200.000 CY	.	.	.	.
0260	213.0100 Finishing Roadway (project) 01. 1491-12-71	1.000 EACH	.	.	.	.
0270	305.0110 Base Aggregate Dense 3/4-Inch	1,350.000 TON	.	.	.	.
0280	305.0120 Base Aggregate Dense 1 1/4-Inch	33,565.000 TON	.	.	.	.
0290	305.0500 Shaping Shoulders	136.000 STA	.	.	.	.
0300	306.0115 Salvaged Asphaltic Pavement Base	965.000 CY	.	.	.	.
0310	405.0100 Coloring Concrete Red	23.000 CY	.	.	.	.
0320	416.0160 Concrete Driveway 6-Inch	1,390.000 SY	.	.	.	.