



Wisconsin Department of Transportation

May 2, 2016

Division of Transportation Systems Development

Bureau of Project Development
4802 Sheboygan Avenue, Rm 601
P O Box 7916
Madison, WI 53707-7916

Telephone: (608) 266-1631
Facsimile (FAX): (608) 266-8459

NOTICE TO ALL CONTRACTORS:

Proposal #18: 2216-01-70, WISC 2016 169
West Mill Road
N. 43rd St to N. Sidney Pl
CTH S
Milwaukee County

2216-02-70, WISC 2016 170
CTH G & CTH S
Intersection of CTH G & CTH S
CTH S
Milwaukee County

Letting of May 10, 2016

This is Addendum No. 01, which provides for the following:

Special Provisions

Revised Special Provisions	
Article No.	Description
13	City of Milwaukee Forestry

Schedule of Items

Added Bid Item Quantities					
Bid Item	Item Description	Unit	Old Quantity	Revised Quantity	Proposal Total
611.1004	Catch Basins 4-FT Diameter	EACH	0	45	45
611.3225	Inlets 2x2.5-FT	EACH	0	4	4

Deleted Bid Item Quantities					
Bid Item	Item Description	Unit	Old Quantity	Revised Quantity	Proposal Total
611.1230	Catch basins 2x3-FT	EACH	45	-45	0
611.3230	Inlets 2x3-FT	EACH	4	-4	0

Plan Sheets

Revised Plan Sheets	
Plan Sheet	Plan Sheet Title (brief description of changes to sheet)
90-99	STORM SEWER: The sheets are revised to show the removal of Inlets 2x3-FT, the removal of Catch Basins 2x3-FT, the addition of Inlets 2x2.5-FT, and the addition of Catch Basins 4-FT Diameter.
182	EOQ: The sheet is revised to show the removal of Inlets 2x3-FT, the removal of Catch Basins 2x3-FT, the addition of Inlets 2x2.5-FT, and the addition of Catch Basins 4-FT Diameter.
214	MISCELLANEOUS QUANTITIES: This sheet is revised to show revised pipe inverts as shown.
217-219	MISCELLANEOUS QUANTITIES: The sheets are revised to show the removal of Inlets 2x3-FT, the removal of Catch Basins 2x3-FT, the addition of Inlets 2x2.5-FT, and the addition of Catch Basins 4-FT Diameter.
269	STANDARD DETAIL DRAWING LIST: This sheet is revised to show the deletion of SDD 8a9-1 and the inclusion of SDD 8a8-1

Added Plan Sheets	
Plan Sheet	Plan Sheet Title (brief description of why sheet was added)
24A	CONSTRUCTION DETAILS Sheet is added to clarify how a street lighting bracket is attached to a monotube pole
269A	SDD – Catch Basins 3-FT, 4-FT, 5-FT And 6-FT Diameter
Deleted Plan Sheets	
Plan Sheet	Plan Sheet Title (brief description of why sheet was deleted)
270	SDD – Catch Basins 2X3-FT And 2.5X3-FT (Items removed from project)

Other

Use a 2x2.5-FT catch basin cover opening for all Catch Basins 4-FT Diameter.

The responsibility for notifying potential subcontractors and suppliers of these changes remains with the prime contractor.

Sincerely,

Mike Coleman

Proposal Development Specialist
Proposal Management Section

ADDENDUM NO. 1
2216-01-70, 2216-02-70
May 2, 2016

Special Provisions

13. City of Milwaukee Forestry.

Add the following to the end of the Article:

The City of Milwaukee will water and care for newly planted trees. The 2-year proving period requirements are waived.

Schedule of Items

Attached, dated May 2, 2016, are the revised Schedule of Items Pages 1 – 23.

Plan Sheets

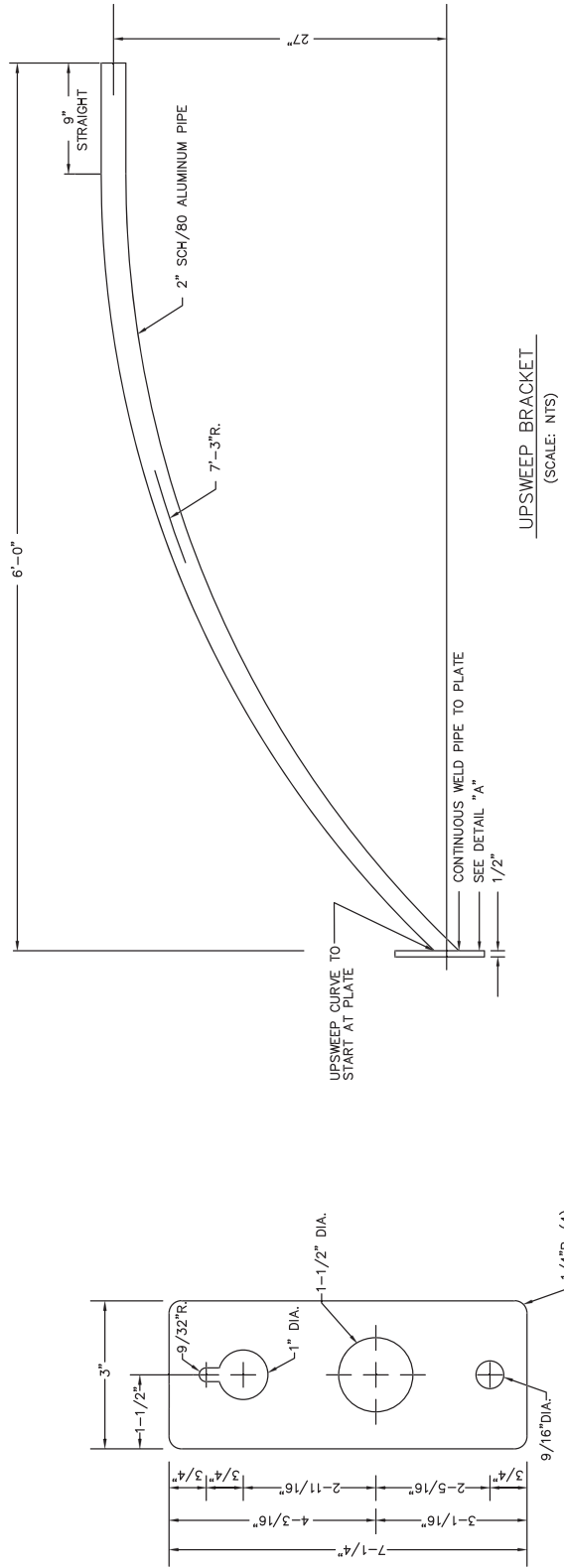
The following 8½ x 11-inch sheets are attached and made part of the plans for this proposal:

Revised: 90 - 99, 214, and 217 - 219.

Added: 24A and 269A.

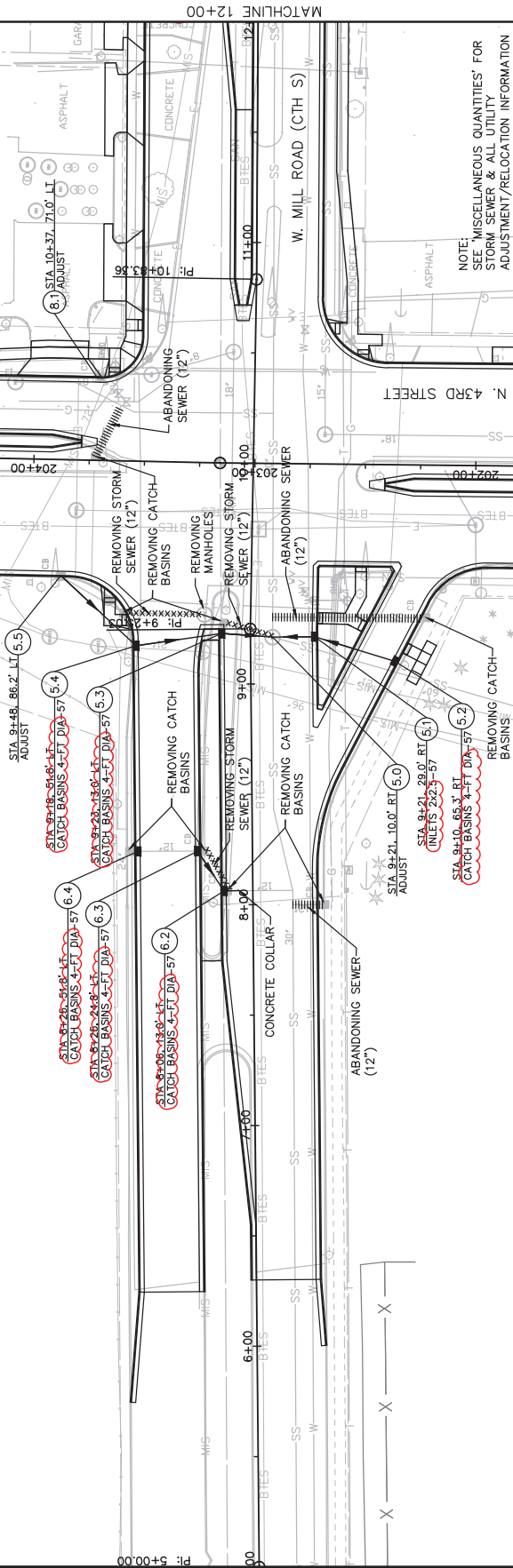
END OF ADDENDUM

Addendum No. 01
 ID 2216-01-70
 Added Sheet 24A
 May 2, 2016



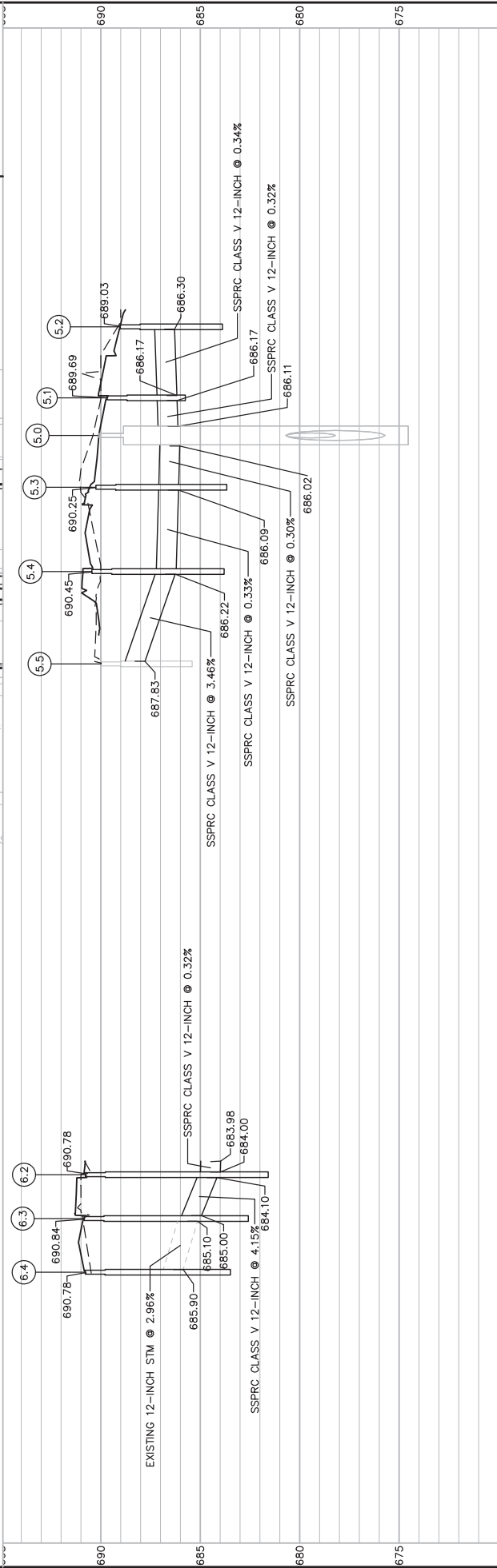
DETAIL "A" - MTG. PLATE
 MOUNTING PLATE, EITHER
 CAST ALUMINUM 6061 A36/713
 OR EXTRUDED 6061 A36/713
 BAR STOCK
 (SCALE: NTS)

STREET LIGHTING BRACKET
 MONOTUBE POLES SHALL
 BE DESIGNED TO ACCEPT
 THIS BRACKET



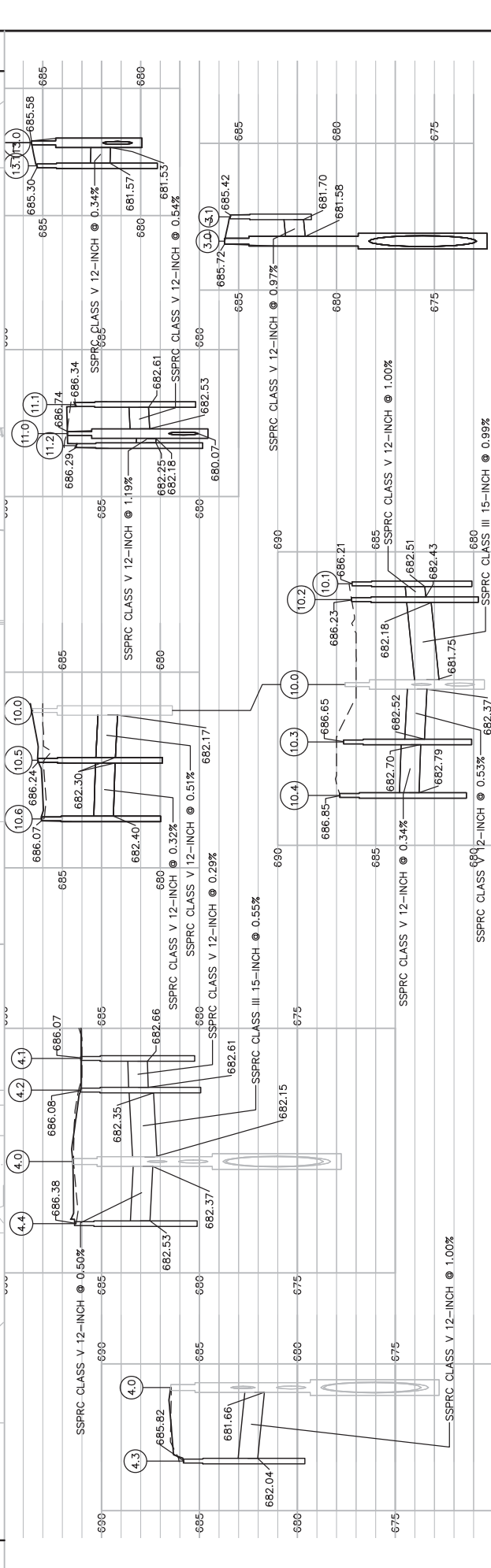
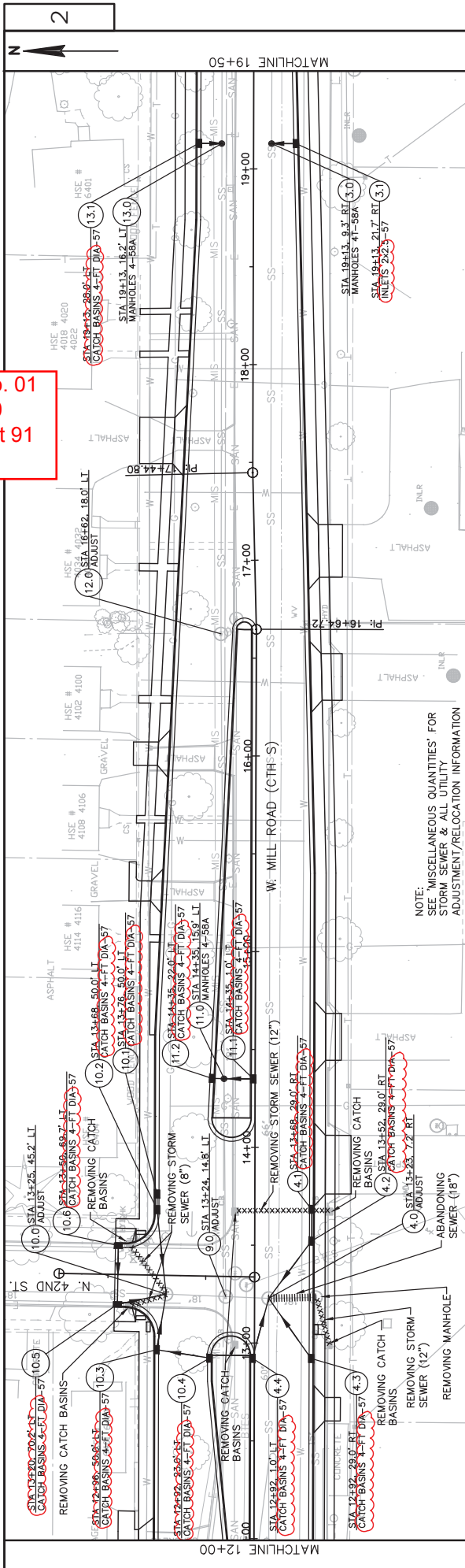
Addendum No. 01
ID 2216-01-70
Revised Sheet 90
May 2, 2016

NOTE: 'MISCELLANEOUS QUANTITIES' FOR STORM SEWER & ALL UTILITY ADJUSTMENT/RELOCATION INFORMATION



PROJECT NO: 2216-01-70	HWY: W. MILL ROAD (C.T.H. S)	COUNTY: MILWAUKEE	STORM SEWER	SHEET 90
FILE NAME : O:\HIGHWAY OPERATIONS CONTROL FILES\2010-2014\C.T.H. S - W. MILL RD\W. MILL RD.-43RD ST. TO TEUTONIA AVE. 2216-01-70.DWG - (W2016/2016) V221601PLAN\MILWAUKEE\221601PROCSHOWME.LAYOUT NAME - 022501				
PLOT SCALE : 1 IN:50 FT				
WSDOT/CADDIS SHEET 41				

Addendum No. 01
ID 2216-01-70
Revised Sheet 91
May 2, 2016

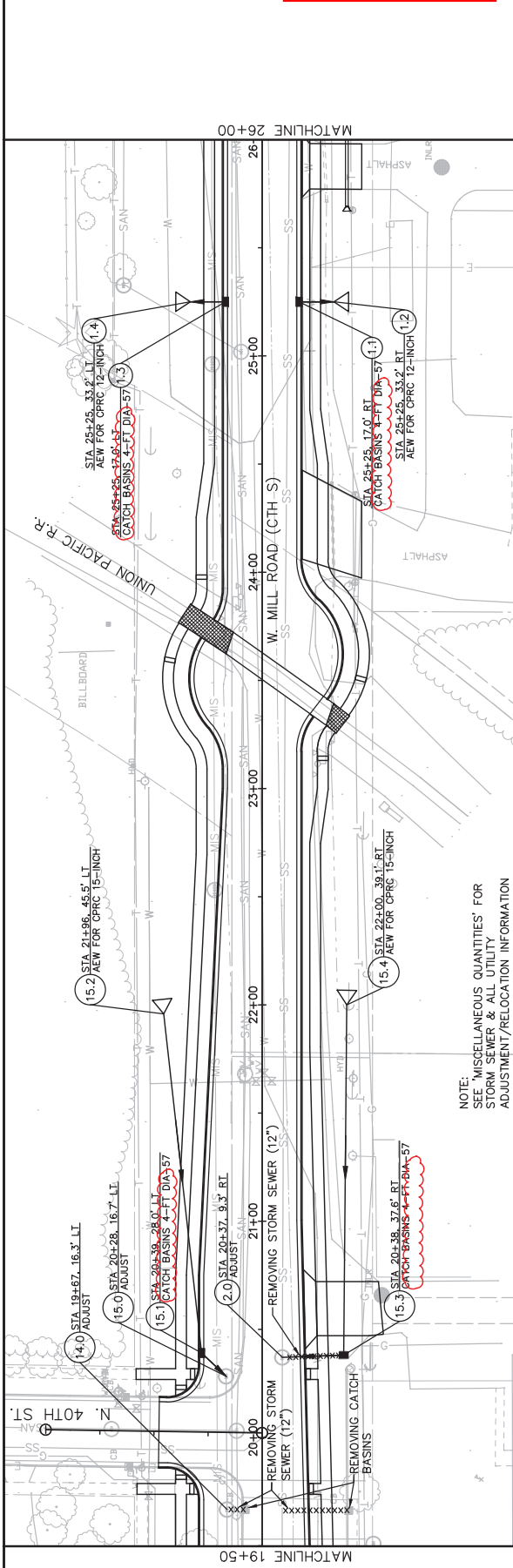


PROJECT NO: 2216-01-70 HWY: W. MILL ROAD (Cth S) COUNTY: MILWAUKEE SHEET 91

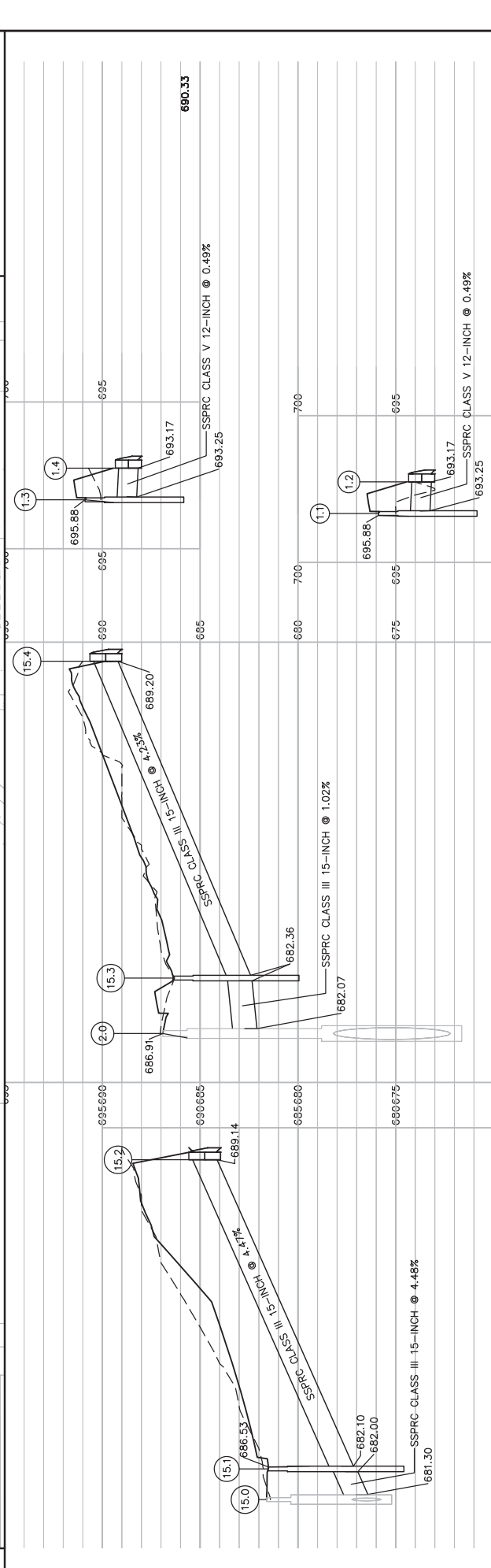
FILE NAME : O:\HIGHWAY OPERATIONS\CONTROL FILES\2010-2014\Cth S - W. Mill Rd\W. Mill Rd.-43RD ST. TO TEUTONIA AVE. 2216-01-70.DWG (W:\2010\2010\DESIGN\PLANS\PLAN\BT\221601\PROJECTNAME : WSDOT/CADD SHEET 41

LAYOUT NAME - 022502 PLOT SCALE : 1 IN:50 FT

Addendum No. 01
 ID 2216-01-70
 Revised Sheet 92
 May 2, 2016

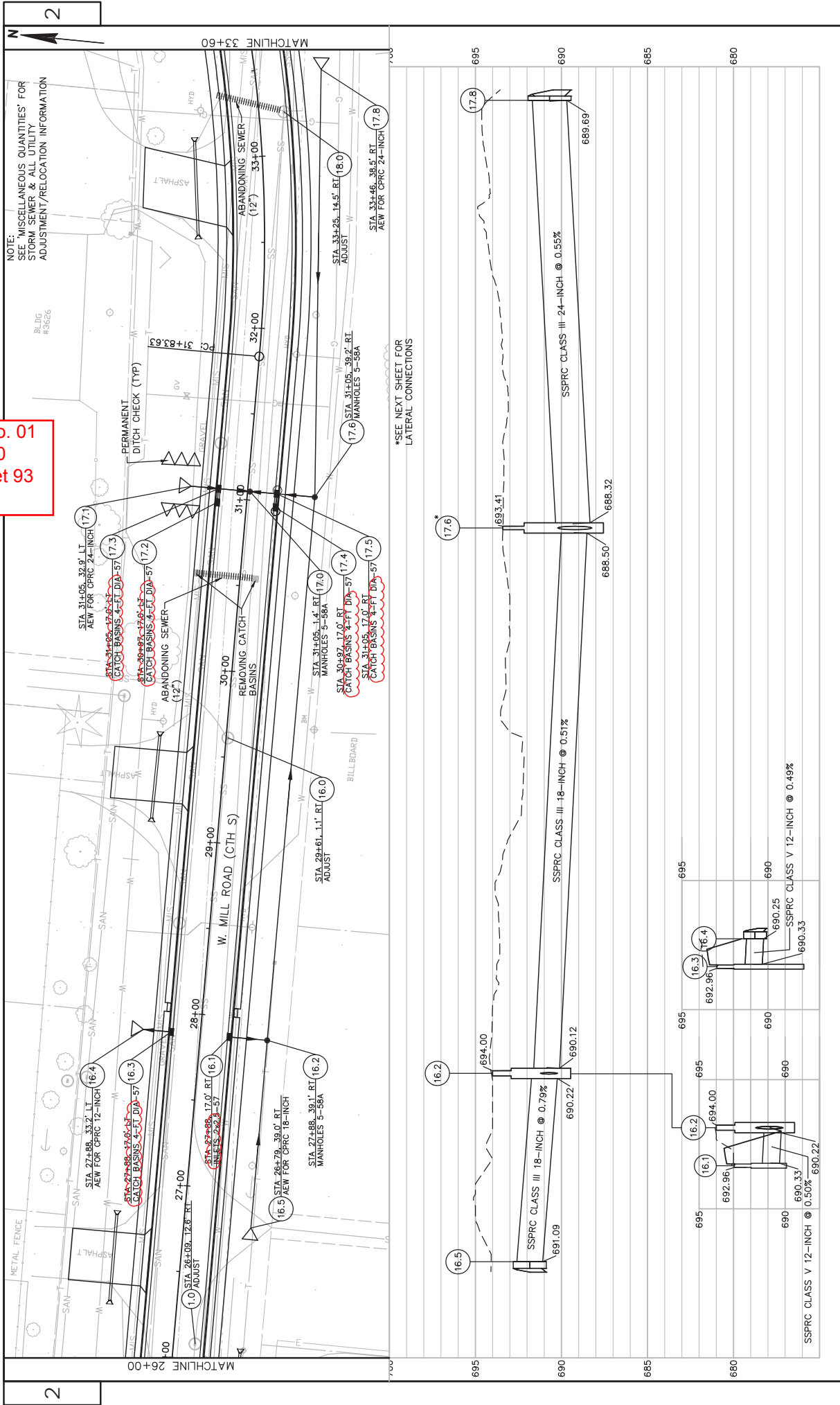


NOTE:
 SEE 'MISCELLANEOUS QUANTITIES' FOR
 STORM SEWER & ALL UTILITY
 ADJUSTMENT/RELOCATION INFORMATION



PROJECT NO: 2216-01-70	HWY: W. MILL ROAD (Cth S)	COUNTY: MILWAUKEE
FILE NAME : O:\HIGHWAY OPERATIONS CONTROL FILE\CENTRAL FILES\2010-2014\Cth S - W. MILL RD\W. MILL RD.-43RD ST. TO TEUTONIA AVE. 2216-01-70.DWG - (W2016/2016) V2016\PLANS\PLM\LOT E\W2016\0216\BASETY\BMS\22160170\PROJNAME : LAYOUT NAME - 022503		
SHEET	92	E

Addendum No. 01
 ID 2216-01-70
 Revised Sheet 93
 May 2, 2016



*SEE NEXT SHEET FOR LATERAL CONNECTIONS

715

710

705

700

695

690

685

680

675

715

710

705

700

695

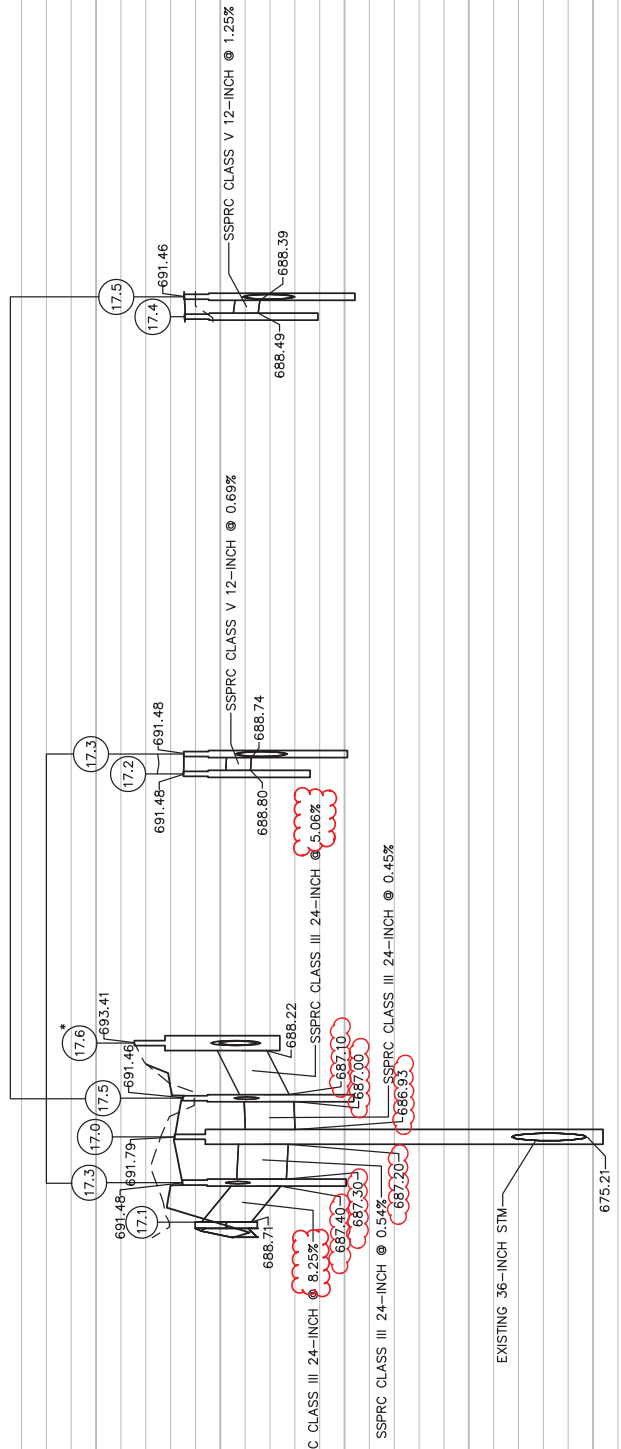
690

685

680

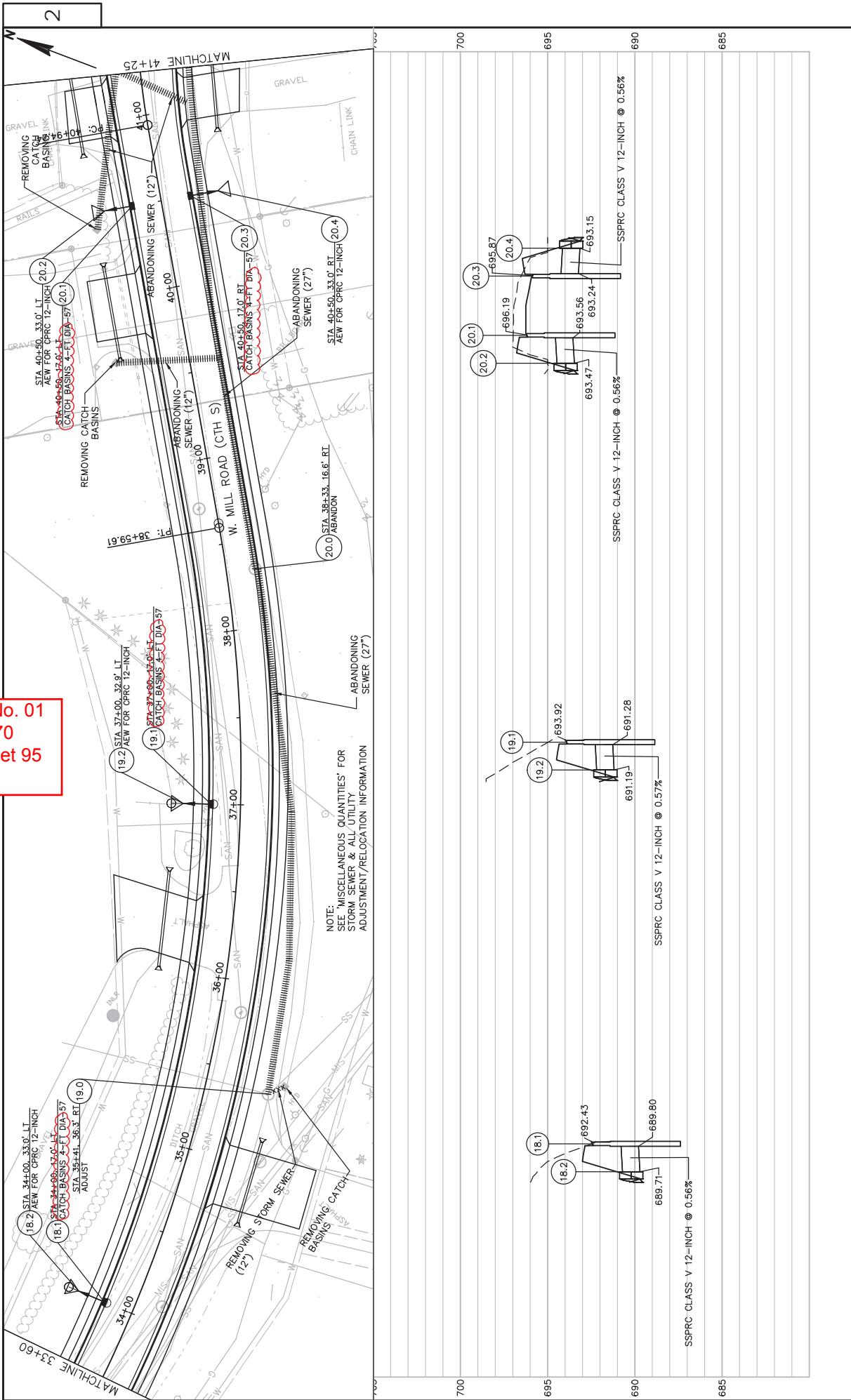
675

*SEE PREVIOUS SHEET FOR TRUNK LINE



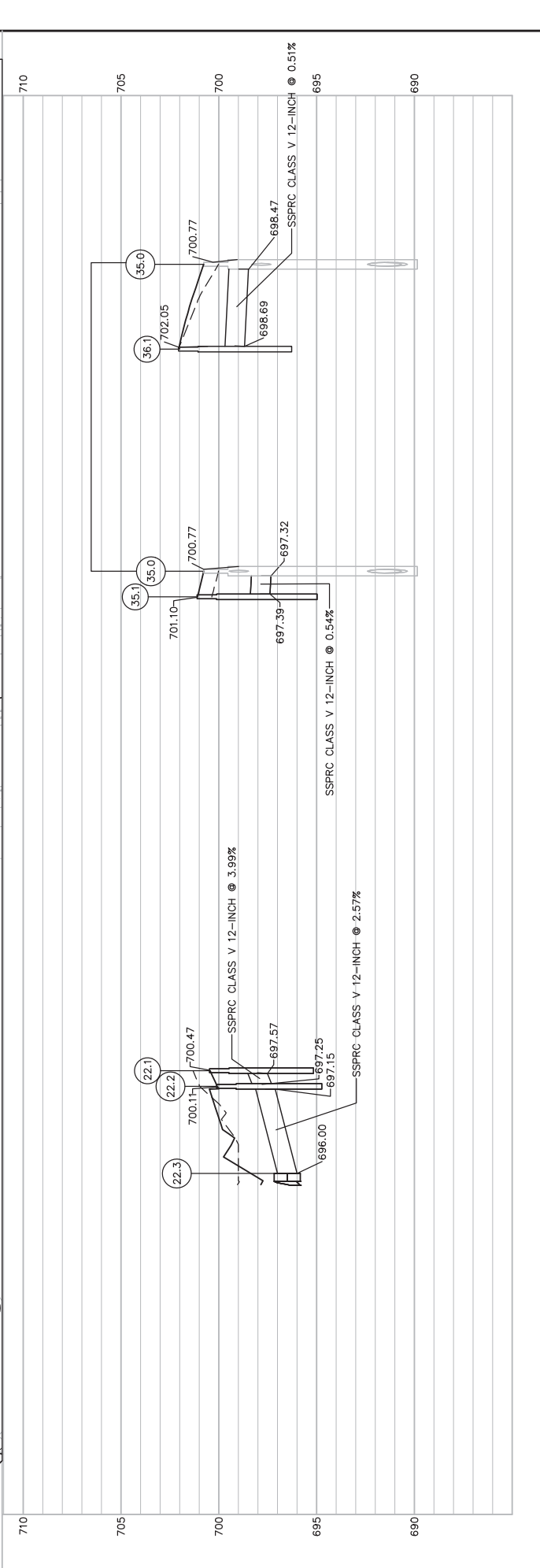
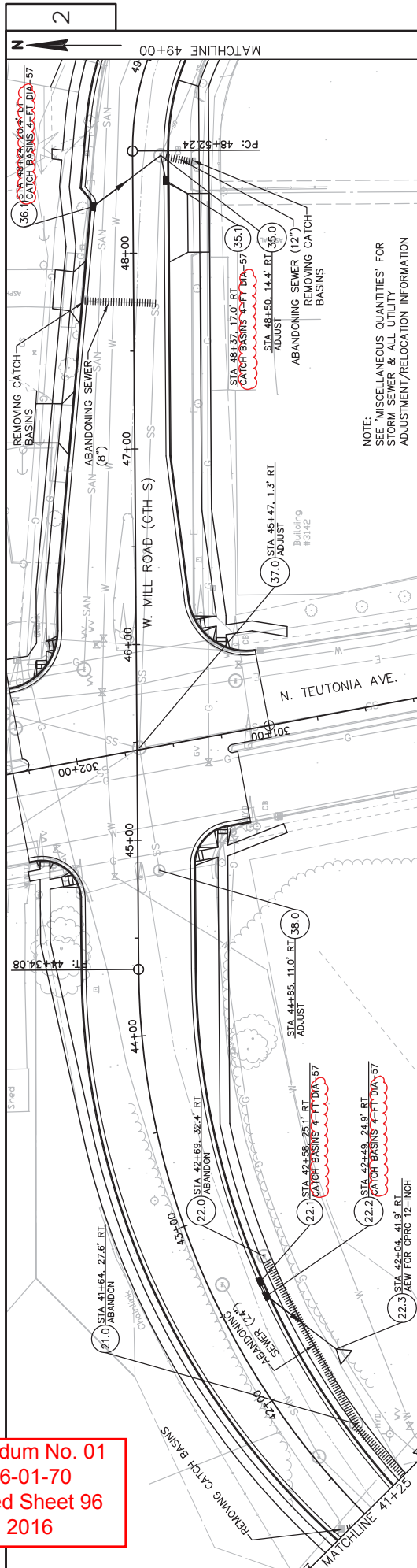
Addendum No. 01
 ID 2216-01-70
 Revised Sheet 94
 May 2, 2016

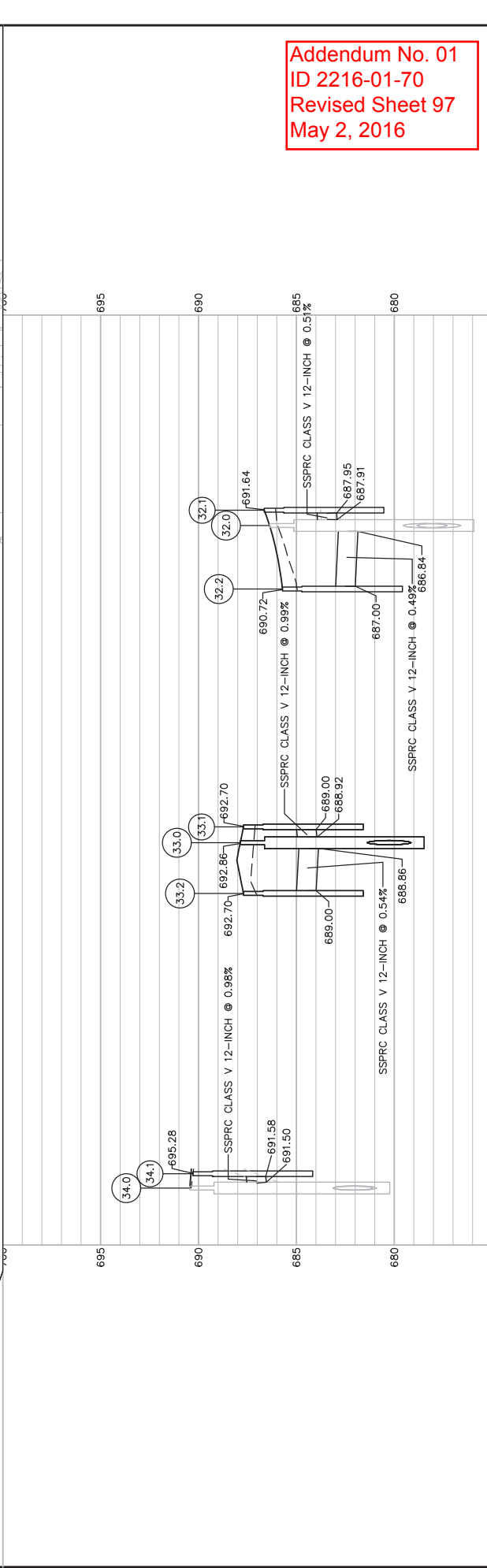
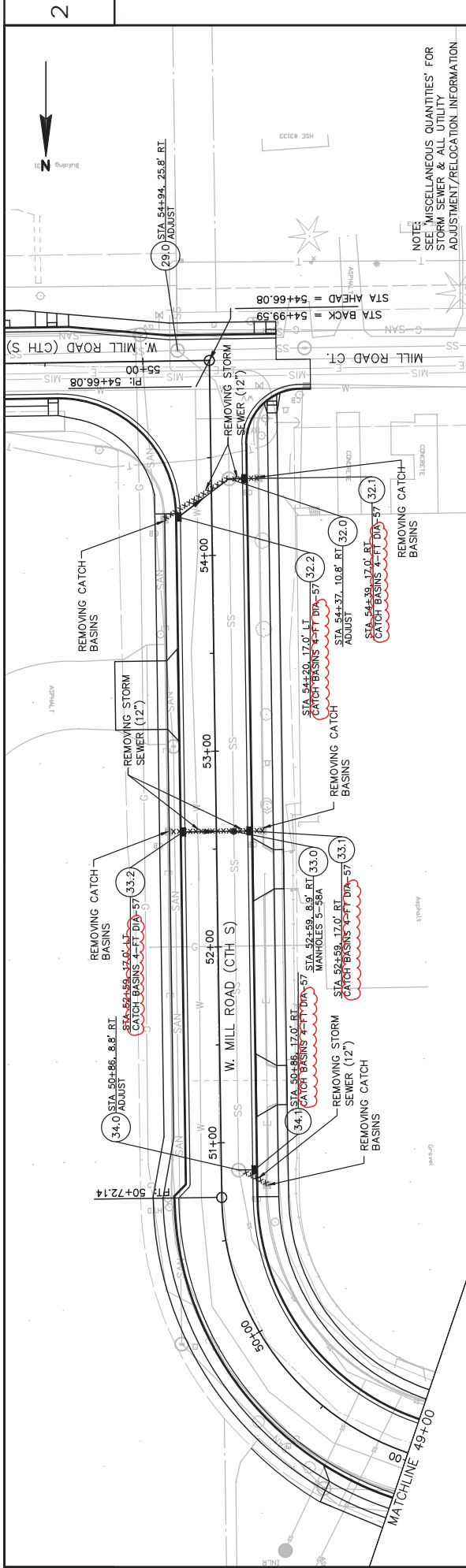
Addendum No. 01
ID 2216-01-70
Revised Sheet 95
May 2, 2016



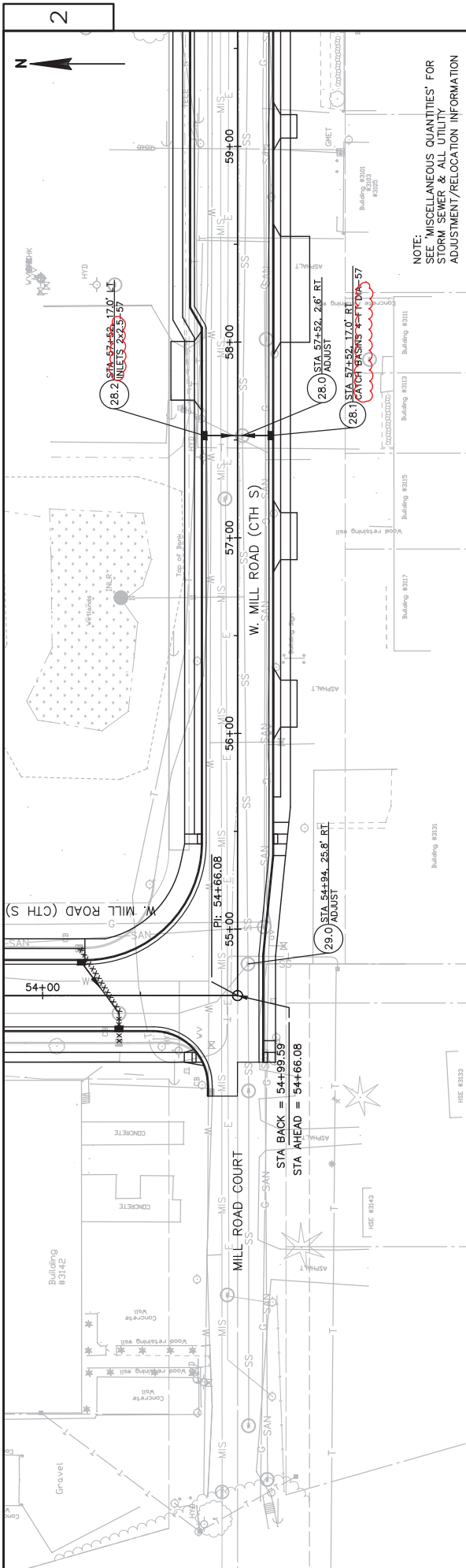
PROJECT NO: 2216-01-70	HWY: W. MILL ROAD (Cth S)	COUNTY: MILWAUKEE	STORM SEWER	SHEET 95	E
FILE NAME : O:\HIGHWAY OPERATIONS CONTROL FILE\CENTRAL FILES\2010-2014\Cth S - W. MILL RD\W. MILL RD.-4.3RD ST. TO TEUTONIA AVE. 2216-01-70.DWG - (WY08/2008) VESZBGR\PLANS\PLAN01 - EVANS\BASETY NUMBER\221601PROJCSNAME : LAYOUT NAME - 022505 PLOT SCALE : 1 IN:50 FT WSDOT/CADDIS SHEET 41					

Addendum No. 01
 ID 2216-01-70
 Revised Sheet 96
 May 2, 2016

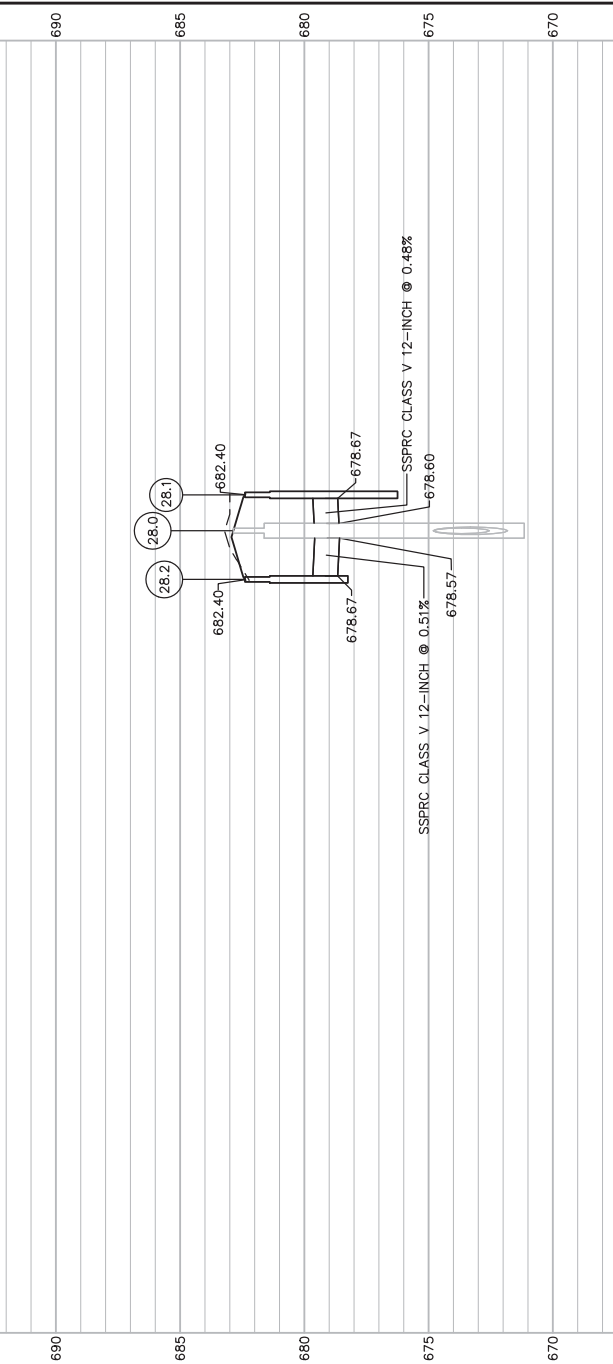




Addendum No. 01
 ID 2216-01-70
 Revised Sheet 97
 May 2, 2016



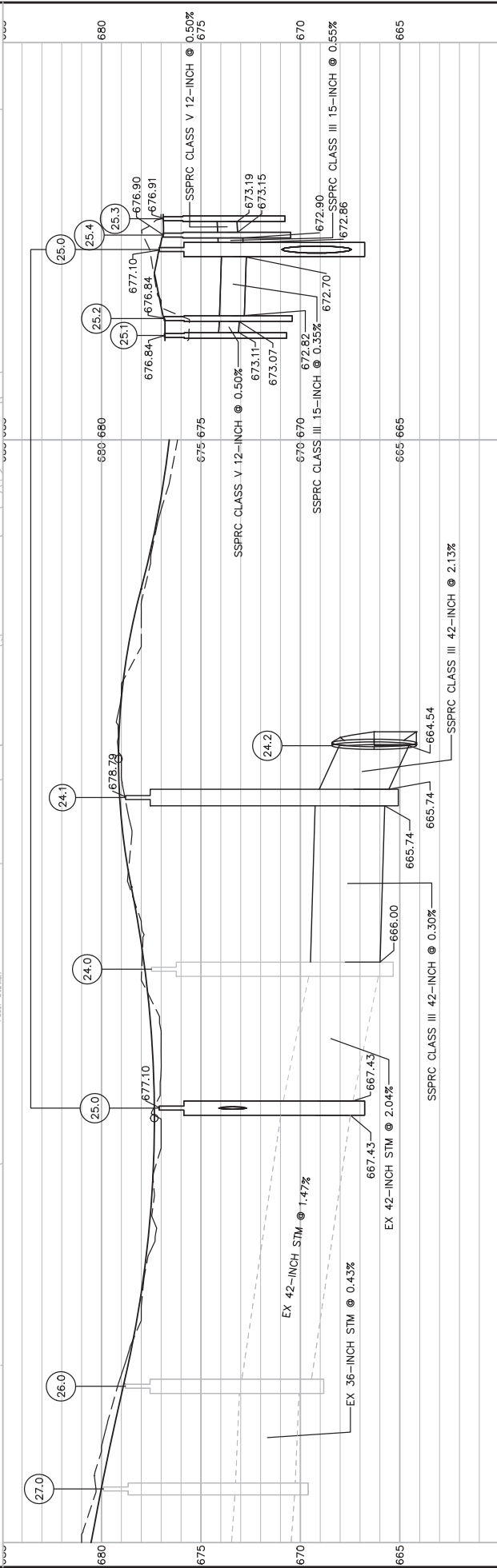
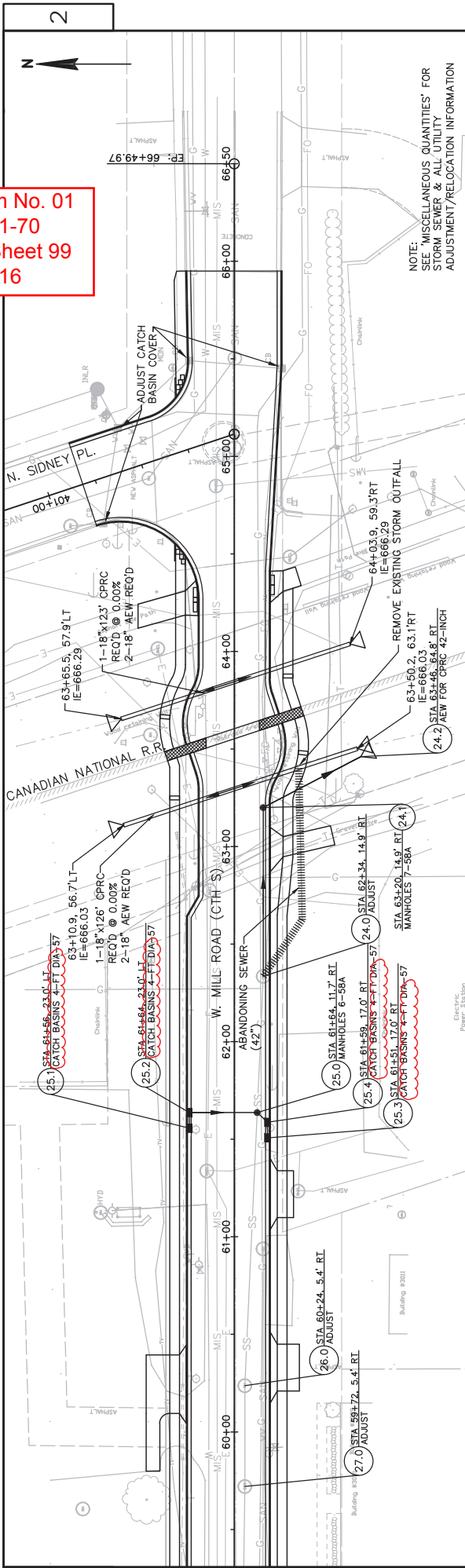
NOTE: MISCELLANEOUS QUANTITIES FOR
 SECTION OF STORM SEWER UTILITY
 ADJUSTMENT/RELOCATION INFORMATION



Addendum No. 01
ID 2216-01-70
Revised Sheet 98
May 2, 2016

PROJECT NO: 2216-01-70	HWY: W. MILL ROAD (Cth S)	COUNTY: MILWAUKEE	STORM SEWER	SHEET 98	E
FILE NAME : O:\HIGHWAY OPERATIONS CONTROL FILES\2010-2014\Cth S - W. MILL RD\W. MILL RD.-4.3RD ST. TO TEUTONIA AVE. 2216-01-70-01-70- (WY08/2008) V221601PLANS\PLM01-BVANS08\ASSTV MW08\221601PROCS01NAME : LAYOUT NAME - 022508 PLOT SCALE : 1 IN:50 FT WSDOT/CADDIS SHEET 41					

Addendum No. 01
 ID 2216-01-70
 Revised Sheet 99
 May 2, 2016



NOTE: MISCELLANEOUS QUANTITIES FOR STORM SEWER & ALL UTILITY ADJUSTMENT/RELOCATION INFORMATION

Addendum No. 01
ID 2216-01-70
Revised Sheet 214
May 2, 2016

STORM SEWER PIPES																			
		608.0312			608.0315			608.0318			608.0324			608.0342			520.8000		
FROM	TO	LOCATION	STORM SEWER PIPE REINFORCED CONCRETE CLASS V 12-INCH LF	STORM SEWER PIPE REINFORCED CONCRETE CLASS III 15-INCH LF	STORM SEWER PIPE REINFORCED CONCRETE CLASS III 18-INCH LF	STORM SEWER PIPE REINFORCED CONCRETE CLASS III 24-INCH LF	STORM SEWER PIPE REINFORCED CONCRETE CLASS III 42-INCH LF	CONCRETE COLLARS FOR PIPE EACH	INLET ELEVATION	DISCHARGE ELEVATION	SLOPE %								
1.1	1.2	MILL ROAD	16						693.25	693.17	0.50%								
1.3	1.4	MILL ROAD	16						693.25	693.17	0.50%								
3.1	3.0	MILL ROAD	13						681.70	681.58	0.92%								
4.1	4.2	MILL ROAD	16						682.66	682.61	0.31%								
4.2	4.0	MILL ROAD	37						682.35	682.15	0.54%								
4.3	4.0	MILL ROAD	38						682.04	681.66	1.00%								
4.4	4.0	MILL ROAD	32						682.53	682.37	0.50%								
5.1	5.0	MILL ROAD	19						686.11	686.11	0.32%								
5.2	5.1	MILL ROAD	44						686.30	686.17	0.30%								
5.3	5.0	MILL ROAD	23						686.09	686.02	0.30%								
5.4	5.3	MILL ROAD	43						686.22	686.09	0.30%								
5.5	5.4	MILL ROAD	49						687.83	686.22	3.46%								
6.2	6X PIPE	MILL ROAD	10					1	684.00	683.98	0.32%								
6.3	6.2	MILL ROAD	21						685.00	684.10	4.15%								
10.1	10.2	MILL ROAD	10						682.51	682.43	1.00%								
10.2	10.0	MILL ROAD	43						682.18	681.75	1.00%								
10.3	10.0	MILL ROAD	29						682.52	682.37	0.52%								
10.4	10.3	MILL ROAD	28						682.79	682.70	0.32%								
10.6	10.5	MILL ROAD	30						682.40	682.30	0.32%								
10.5	10	MILL ROAD	26						682.30	682.17	0.51%								
11.1	11.0	MILL ROAD	14						682.61	682.53	0.57%								
11.2	11.0	MILL ROAD	5						682.25	682.18	1.40%								
13.1	13.0	MILL ROAD	12						681.57	681.53	0.33%								
15.1	15.0	MILL ROAD	16						682.00	681.30	4.48%								
15.2	15.1	MILL ROAD	160						689.14	682.10	4.47%								
15.3	2.0	MILL ROAD	28						682.36	682.07	1.04%								
15.4	15.3	MILL ROAD	162						689.20	682.36	4.22%								
16.1	16.2	MILL ROAD	22						690.33	690.22	0.50%								
16.2	17.6	MILL ROAD	320						690.12	688.50	0.51%								
16.3	16.4	MILL ROAD	16						690.33	690.25	0.50%								
16.5	16.2	MILL ROAD	110						691.09	690.22	0.74%								
17.1	17.3	MILL ROAD	15						688.71	687.40	8.25%								
17.2	17.3	MILL ROAD	10						688.30	687.70	0.86%								
17.3	17.0	MILL ROAD	19						687.30	687.20	0.54%								
17.4	17.5	MILL ROAD	10						687.20	687.10	0.14%								
17.5	17.0	MILL ROAD	16						687.00	686.93	0.45%								
17.6	17.5	MILL ROAD	22						688.22	687.70	0.74%								
17.8	17.6	MILL ROAD	248						689.69	688.70	0.55%								
18.1	18.2	MILL ROAD	16						688.80	689.71	0.56%								
19.1	19.2	MILL ROAD	15						691.28	691.19	0.60%								
20.0	19.0	MILL ROAD	11						681.17	679.60	0.52%								
20.1	20.2	MILL ROAD	16						693.56	693.47	0.56%								
20.3	20.4	MILL ROAD	16						693.24	693.15	0.56%								
21.0	20.0	MILL ROAD	11						682.89	681.17	0.53%								
22.0	21.0	MILL ROAD	8						683.69	683.09	0.61%								
22.1	22.2	MILL ROAD	8						697.57	697.25	4.00%								
22.2	22.3	MILL ROAD	45						697.15	696.00	2.56%								
24.0	24.1	MILL ROAD	86						666.00	665.74	0.30%								
24.1	24.2	MILL ROAD	56						665.74	664.54	2.14%								
25.1	25.2	MILL ROAD	8						673.11	673.07	0.50%								
25.2	25.0	MILL ROAD	35						672.82	672.70	0.34%								
25.3	25.4	MILL ROAD	8						673.19	673.15	0.50%								
25.4	25.0	MILL ROAD	7						672.90	672.86	0.57%								
28.1	28.0	MILL ROAD	15						678.67	678.60	0.47%								
28.2	28.0	MILL ROAD	20						678.67	678.57	0.50%								
32.1	32.0	MILL ROAD	8						687.95	687.91	0.50%								
32.2	32.0	MILL ROAD	32						687.00	686.84	0.50%								
33.1	33.0	MILL ROAD	8						689.00	688.92	1.00%								
33.2	33.0	MILL ROAD	26						689.00	688.86	0.54%								
34.1	34.0	MILL ROAD	8						691.58	691.50	0.98%								
35.1	35.0	MILL ROAD	13						697.39	697.32	0.54%								
36.1	35.0	MILL ROAD	43						698.69	698.47	0.51%								
		ITEM TOTALS	884	488	453	320	142	1											
		CATEGORY 000	L.F.	L.F.	L.F.	L.F.	L.F.	EACH											

Addendum No. 01
 ID 2216-01-70
 Revised Sheet 217
 May 2, 2016

STRUCTURE	STATION	OFFSET**	LOCATION	STORM SEWER STRUCTURES										INVERT*** ELEVATION			
				SPV.0060.01 MANHOLE COVERS TYPE 58A	611.1004 CATCH BASINS 4-FT DIAMETER EACH	611.2004 MANHOLES 4- MANHOLES 4- FT DIAMETER EACH	611.2005 MANHOLES 5- MANHOLES 5- FT DIAMETER EACH	611.2006 MANHOLES 6- MANHOLES 6- FT DIAMETER EACH	611.2007 MANHOLES 7- MANHOLES 7- FT DIAMETER EACH	611.2504 MANHOLES VARIABLE TEE 4- FT DIAMETER EACH	611.3225 INLETS 2X2.5-FT EACH	SPV.0060.25 WATER MAIN PROTECTION EACH	SPV.0060.01 INLET COVERS TYPE 57		RIM ELEVATION		
1.1	25+25	17.5' RT	MILL ROAD	1													695.85
1.2	25+25	33.2' RT	MILL ROAD		1												694.34
1.3	25+25	17.5' LT	MILL ROAD	1													695.85
1.4	25+25	33.2' LT	MILL ROAD														694.34
3	19+13	9.3' RT	MILL ROAD	1													685.72
3.1	19+13	22.1' RT	MILL ROAD									1					685.40
4.1	13+68	29.5' RT	MILL ROAD	1													686.04
4.2	13+52	29.5' RT	MILL ROAD	1													686.05
4.3	12+92	29.5' RT	MILL ROAD	1													685.79
4.4	12+92	1.5' LT	MILL ROAD	1													686.35
5.1	09+21	29.5' RT	MILL ROAD										1				689.66
5.2	09+23	73.2' RT	MILL ROAD	1													688.76
5.3	09+28	12.2' LT	MILL ROAD	1													690.35
5.4	09+14	52.3' LT	MILL ROAD	1													690.44
6.2	08+06	13.5' LT	MILL ROAD	1													690.75
6.3	08+25	24.3' LT	MILL ROAD	1													690.81
6.4	08+25	52.3' LT	MILL ROAD	1													690.75
10.1	13+76	50.5' LT	MILL ROAD	1													686.18
10.2	13+68	50.5' LT	MILL ROAD	1													686.55
10.3	12+97	50.5' LT	MILL ROAD	1													686.61
10.4	12+92	22.5' LT	MILL ROAD	1													686.84
10.5	13+19	70' LT	MILL ROAD	1													686.26
10.7	13+50	69.5' LT	MILL ROAD	1													686.09
11	14+35	15.9' LT	MILL ROAD	1							1						686.74
11.1	14+35	1.5' LT	MILL ROAD	1													686.31
11.2	14+35	21.5' LT	MILL ROAD	1													686.26
13	19+13	16.2' LT	MILL ROAD	1													685.58
13.1	19+13	28.4' LT	MILL ROAD	1													685.27
SHEETSUBTOTAL				3	21	2	0	0	0	0	1	2	2	23			

use 2x2.5-FT opening

PROJECT NO: 2216-01-70	HWY: W. MILL ROAD (CTH S)	COUNTY: MILWAUKEE	MISCELLANEOUS QUANTITIES	SHEET 217	E
-------------------------------	----------------------------------	--------------------------	---------------------------------	------------------	----------

FILE NAME :

PLOT DATE : 4/26/2016

PLOT BY : DMW

PLOT SCALE : 1:1

Addendum No. 01
 ID 2216-01-70
 Revised Sheet 218
 May 2, 2016

3

STORM SEWER STRUCTURES (CONTINUED)

STRUCTURE	STATION	OFFSET**	LOCATION	SPV.0060.02 MANHOLE COVERS TYPE 58A	611.1004 CATCH BASINS 4-FT DIAMETER EACH	611.2004 MANHOLES 4- MANHOLES 4- FT DIAMETER EACH	611.2005 MANHOLES 5- MANHOLES 5- FT DIAMETER EACH	611.2006 MANHOLES 6- MANHOLES 6- FT DIAMETER EACH	611.2007 MANHOLES 7- MANHOLES 7- FT DIAMETER EACH	611.2504 MANHOLES VARIABLE TEE 4- FT DIAMETER EACH	611.3225 INLETS 2X2.5-FT EACH	SPV.0060.25 WATER MAIN PROTECTION EACH	SPV.0060.01 INLET COVERS TYPE 57 EACH	RIM ELEVATION	INVERT*** ELEVATION
15.1	20+39	28.5' LT	MILL ROAD	1									1	686.50	679.96
15.2	21+96	45.5' LT	MILL ROAD												690.58
16.1	27+88	17.5' RT	MILL ROAD							1		1	1	692.93	690.33
16.2	27+88	39.1' RT	MILL ROAD	1			1							694.00	690.12
16.3	27+88	17.5' LT	MILL ROAD		1								1	692.93	688.33
16.4	27+88	33.2' LT	MILL ROAD												691.42
16.5	26+79	39' RT	MILL ROAD												692.80
17	31+05	1.4' RT	MILL ROAD	1			1							691.79	675.21
17.1	31+05	32.9' LT	MILL ROAD												690.96
17.2	30+97	17.5' LT	MILL ROAD		1								1	691.47	686.80
17.3	31+05	17.5' LT	MILL ROAD		1								1	691.47	686.30
17.4	30+97	17.5' RT	MILL ROAD		1								1	691.41	686.49
17.5	31+05	17.5' RT	MILL ROAD		1								1	691.43	686.01
17.6	31+05	39.2' RT	MILL ROAD	1			1							693.41	688.22
17.8	33+46	38.5' RT	MILL ROAD											691.94	
18.1	34+00	17.5' LT	MILL ROAD		1								1	692.40	687.80
18.2	34+00	33' LT	MILL ROAD												690.88
19.1	37+00	17.5' LT	MILL ROAD		1								1	693.88	689.28
19.2	37+00	32.9' LT	MILL ROAD												692.36
20	38+33	16.6' RT	MILL ROAD											695.68	679.11
20.1	40+50	17.5' LT	MILL ROAD		1								1	696.16	691.56
20.2	40+50	33' LT	MILL ROAD												694.64
20.3	40+50	17.5' RT	MILL ROAD		1								1	695.84	691.24
20.4	40+50	33' RT	MILL ROAD												694.32
21	41+64	27.6' RT	MILL ROAD											697.86	682.89
22	42+69	32.4' RT	MILL ROAD											701.51	683.69
22.1	42+58	25.6' RT	MILL ROAD		1								1	700.44	695.57
22.2	42+49	25.3' RT	MILL ROAD		1								1	700.08	695.15
22.3	42+04	41.9' RT	MILL ROAD												697.17
	41+27	13.5' LT	MILL ROAD											697.76	692.76
	SHEET SUBTOTAL			3	12	0	3	0	0	0	1	1	13		
				EACH	EACH	EACH	EACH	EACH	EACH	EACH	EACH	EACH	EACH		

use 2x2.5-FT opening

PROJECT NO: 2216-01-70	HWY: W. MILL ROAD (C TH S)	COUNTY: MILWAUKEE	MISCELLANEOUS QUANTITIES	SHEET 218	E
------------------------	----------------------------	-------------------	--------------------------	-----------	---

FILE NAME :

PLOT DATE : 4/26/2016

PLOT BY : DMM

PLOT SCALE : 1:1

3

STORM SEWER STRUCTURES (CONTINUED)

STRUCTURE	STATION	OFFSET**	LOCATION	SPV.0060.02 MANHOLE COVERS TYPE 58A	611.1004 CATCH BASINS 4-FT DIAMETER EACH	611.2004 MANHOLES 4- MANHOLES 5- FT DIAMETER EACH	611.2005 MANHOLES 4- MANHOLES 5- FT DIAMETER EACH	611.2006 MANHOLES 6- MANHOLES 7- FT DIAMETER EACH	611.2007 MANHOLES 7- MANHOLES 7- FT DIAMETER EACH	611.2504 MANHOLES VARIABLE TEE-4- FT DIAMETER EACH	611.3225 INLETS 2X2.5-FT EACH	SPV.0060.25 WATER MAIN PROTECTION EACH	SPV.0060.01 INLET COVERS TYPE 57	RIM ELEVATION	INVERT*** ELEVATION
24.1	63+20	14.9' RT	MILL ROAD	1				1						678.79	665.74
24.2	63+46	64.8' RT	MILL ROAD												668.42
25	61+64	11.7' RT	MILL ROAD	1			1							677.10	667.43
25.1	61+56	23.4' LT	MILL ROAD		1								1	676.81	670.42
25.2	61+64	23.4' LT	MILL ROAD	1									1	676.81	669.79
25.3	61+51	17.4' RT	MILL ROAD	1									1	676.89	671.73
25.4	61+59	17.4' RT	MILL ROAD	1									1	676.88	669.81
28.1	57+52	17.4' RT	MILL ROAD	1									1	682.37	673.13
28.2	57+52	17.4' LT	MILL ROAD								1	1	1	682.37	678.67
32.1	54+36	19.1' RT	MILL ROAD	1									1	691.65	685.80
32.2	54+20	17.5' LT	MILL ROAD	1									1	690.70	684.86
33	52+59	8.9' RT	MILL ROAD	1			1						1	692.86	684.14
33.1	52+59	17.5' RT	MILL ROAD										1	692.69	684.90
33.2	52+59	17.5' LT	MILL ROAD	1									1	692.69	685.00
34.1	50+82	17.5' RT	MILL ROAD	1									1	695.36	688.20
35.1	48+37	17.5' RT	MILL ROAD	1									1	701.09	694.82
36.1	47+76	25.5' LT	MILL ROAD	1									1	703.15	698.25
SHEET SUBTOTAL															
				3	EACH	12	EACH	1	EACH	1	EACH	1	EACH	13	
ITEM TOTAL				9	EACH	45	EACH	4	EACH	1	EACH	4	EACH	49	
CATEGORY 0010					EACH		EACH		EACH		EACH		EACH		
REMARKS															
*ADDITIONAL QUANTITIES LISTED ELSEWHERE															
** STATIONS AND OFFSETS ARE TO CENTER OF STRUCTURE															
*** FOR STRUCTURES WITH SUMPS, THE INVERT ELEVATION IS THE ELEVATION OF THE SUMP. FOR STRUCTURES WITHOUT SUMPS, THE INVERT ELEVATION IS THE ELEVATION OF THE LOWEST PIPE FLOW LI															
**** DEPTH = RIM ELEV - INVERT ELEVATION															

use 2x2.5-FT opening on all Catch Basins 4-FT Diameter

612.0106	645.0111
PIPE	GEOTEXTILE FABRIC
UNDERDRAIN	TYPE DF
6-INCH	SCHEDULEA
L.F.	S.Y.
UNDISTRIBUTED	250
ITEM TOTAL	250
CATEGORY 0010	L.F.
	S.Y.

Addendum No. 01
ID 2216-01-70
Revised Sheet 219
May 2, 2016

Addendum No. 01
 ID 2216-01-70
 Added Sheet 269A
 May 2, 2016

GENERAL NOTES

DETAILS OF CONSTRUCTION, MATERIALS AND WORKMANSHIP NOT SHOWN ON THIS DRAWING SHALL CONFORM TO THE PERTINENT SPECIFICATIONS AND THE APPLICABLE SPECIAL PROVISIONS, UNLESS OTHERWISE AUTHORIZED IN WRITING BY THE ENGINEER. THE CONTRACTOR SHALL NOT ORDER AND DELIVER PRECAST CATCH BASIN UNITS REQUIRED FOR THE PROJECT UNTIL A LIST OF SIZES IS FURNISHED BY THE ENGINEER.

DETAILED DRAWINGS FOR PROPOSED ALTERNATE DESIGNS FOR UNDERGROUND DRAINAGE STRUCTURES SHALL BE SUBMITTED TO THE ENGINEER FOR APPROVAL PROVIDING THAT SUCH ALTERNATE DESIGNS MAKE PROVISION FOR EQUIVALENT CAPACITY AND STRENGTH.

ALL DRAINAGE STRUCTURES ARE DESIGNATED ON THE PLANS AS "MANHOLES 3X3-1", "CATCH BASINS 4'-8", "INLETS 2X3-4", ETC. THE FIRST NUMBERS DESIGNATE THE SIZE OF THE STRUCTURE, AND THE FOLLOWING LETTER DESIGNATES THE TYPE OF COVER TO BE USED TO COMPRISE THE COMPLETE UNIT.

BASES SHALL BE PLACED ON A BED OF MATERIAL AT LEAST 6 INCHES IN DEPTH, WHICH MEETS THE REQUIREMENTS OF GRANULAR BACKFILL. THIS BEDDING SHALL BE COMPACTED AND PROVIDE UNIFORM SUPPORT FOR THE ENTIRE AREA OF THE BASE.

PRECAST REINFORCED CONCRETE CONE TOPS (ECCENTRIC OR CONCENTRIC) OR PRECAST REINFORCED CONCRETE FLAT SLAB TOPS MAY BE USED ON CONCRETE BLOCK STRUCTURES. THE TOPS SHALL BE INSTALLED ON A BED OF MORTAR.

ECCENTRIC CONE TOPS MAY BE USED ON ALL STRUCTURES, AND CONCENTRIC CONE TOPS SHALL BE USED ONLY ON STRUCTURES 5 FEET OR LESS IN DEPTH, UNLESS OTHERWISE DIRECTED BY THE ENGINEER.

STEPS MEETING AASHTO M199 AND THE FOLLOWING REQUIREMENTS SHALL BE INSTALLED IN ALL STRUCTURES OVER 5 FEET IN DEPTH; 16 INCH C-C MAXIMUM SPACING; PROJECT A MINIMUM CLEAR DISTANCE OF 4 INCHES FROM THE WALL AT THE POINT OF EMBEDMENT; MINIMUM LENGTH OF 10 INCHES; MINIMUM WALL EMBEDMENT OF 3 INCHES; FERROUS METAL STEPS NOT PAINTED OR TREATED TO RESIST CORROSION SHALL HAVE A MINIMUM CROSS SECTIONAL DIMENSION OF 1 INCH.

STEPS OF APPROVED POLYPROPYLENE PLASTIC COATED REINFORCEMENT BAR ARE ACCEPTABLE.

REINFORCING BAR MUST BE A MINIMUM OF 1/2 INCH AND MEET THE REQUIREMENTS OF ASTM A615.

CERTIFICATION SHALL BE PROVIDED THAT INSTALLED STEPS WHEN TESTED IN ACCORDANCE WITH SECTION 10 OF AASHTO T280 CAN WITHSTAND A VERTICAL LOAD OF 800 LBS. AND A HORIZONTAL LOAD OF 400 LBS.

ALL BAR STEEL REINFORCEMENT SHALL BE EMBEDDED 2 INCHES CLEAR UNLESS OTHERWISE SHOWN OR NOTED.

ALL PRECAST INLET UNITS SHALL CONFORM TO THE PERTINENT REQUIREMENTS OF AASHTO DESIGNATION M199.

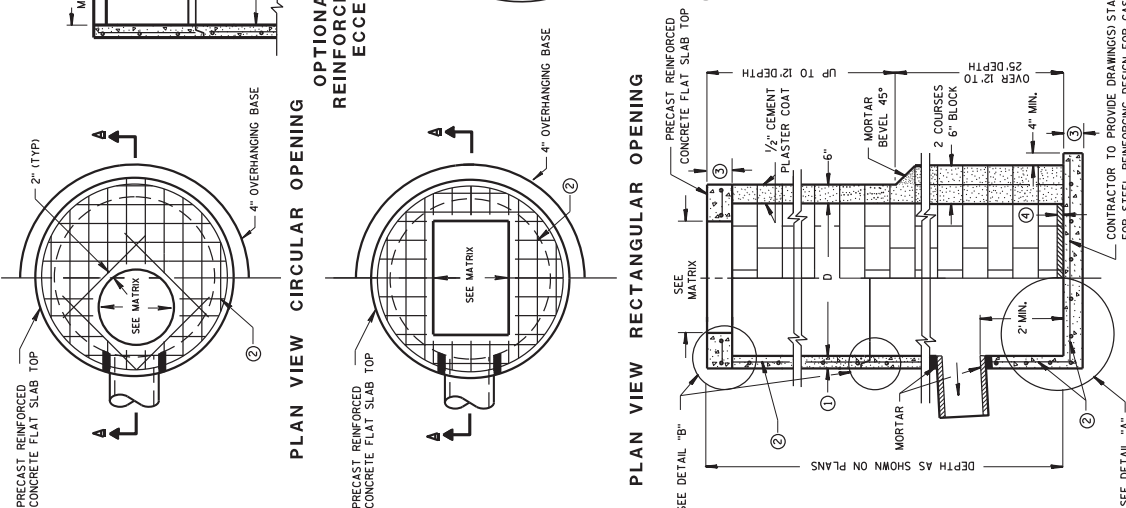
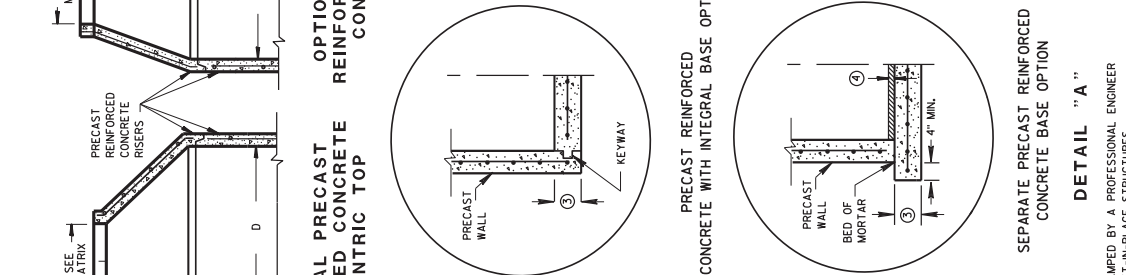
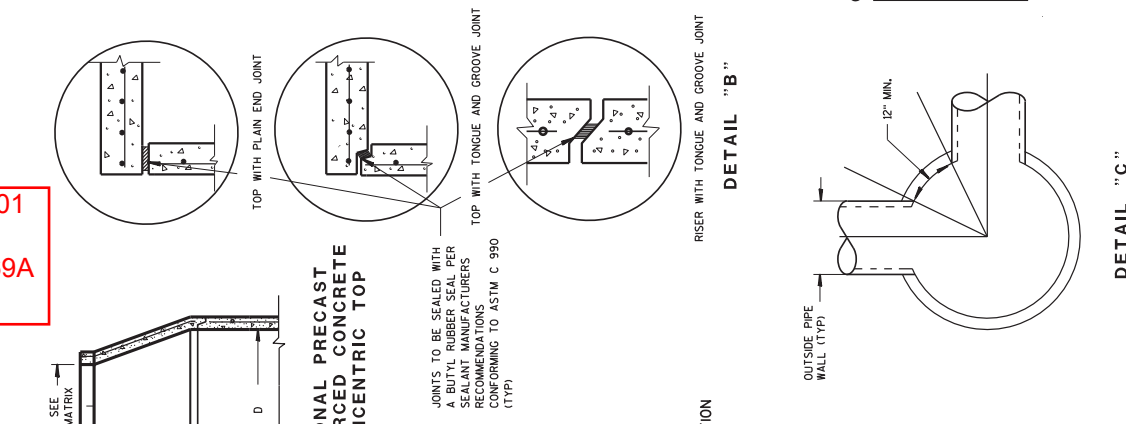
PRECAST REINFORCED RISERS SHALL HAVE A TONGUE AND GROOVE JOINT WITH TONGUE UP OR DOWN.

CONCRETE BLOCK WILL NOT BE PERMITTED FOR STRUCTURES GREATER THAN 4 FEET IN DIAMETER.

4" OVERHANGING BASES ARE REQUIRED FOR ALL CONCRETE BLOCK INSTALLATIONS. 4" OVERHANG IS REQUIRED WHEN SEPARATE PRECAST BASE IS PROVIDED. OVERHANG IS NOT REQUIRED ON PRECAST STRUCTURES WITH AN INTEGRAL OR MONOLITHIC BASE.

FOR ADDITIONAL CONFIGURATIONS, MAINTAIN A MINIMUM OF 12 INCHES AS MEASURED FROM THE INSIDE OF THE STRUCTURE WALL BETWEEN THE OUTSIDE PIPE WALLS OF ADJACENT PIPES; SEE DETAIL "C".

- MINIMUM WALL THICKNESS SHALL BE 4 INCHES FOR 3-FT, 5 INCHES FOR 4-FT, 6 INCHES FOR 5-FT AND 7 INCHES FOR 6-FT DIAMETER PRECAST CATCH BASINS.
- FOR PRECAST CATCH BASINS PROVIDE REINFORCING STEEL IN ACCORDANCE TO AASHTO M199.
- PRECAST FLAT SLAB TOPS AND BASES WITH A DIAMETER OF 48" AND LESS SHALL HAVE A MINIMUM THICKNESS OF 6". PRECAST FLAT SLAB TOPS AND BASES WITH A DIAMETER LARGER THAN 48" SHALL HAVE A MINIMUM THICKNESS OF 8".
- 1" CONCRETE KEY POURED AFTER INSTALLATION, 2" SLUMP MEASURED FROM TOP OF KEY.

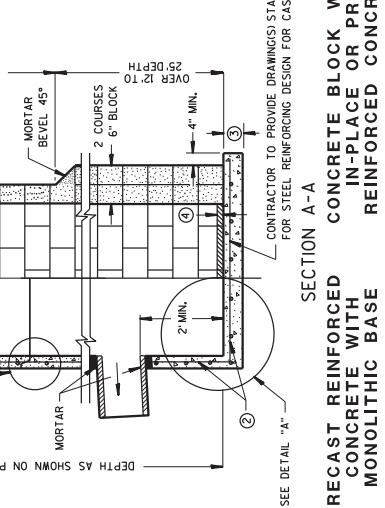
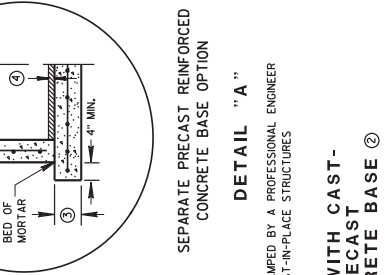
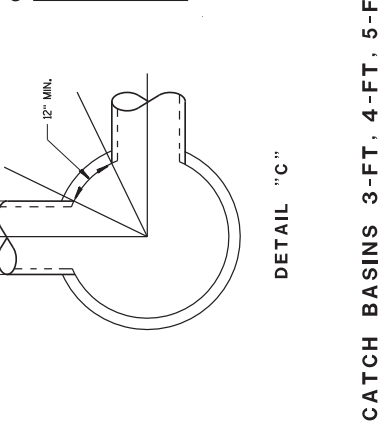


CATCH BASIN COVER OPENING MATRIX

CATCH BASIN SIZE	INLET COVER TYPE	ALL A'S	ALL B'S	C	F	ALL H'S	S	T	V	WM	Z
3-FT	2X2	X	X				X		X		
4-FT	2 DIA.	X	X	X			X		X		X
6-FT	2X2.5	X	X	X	X		X	X	X		X
	2 DIA.			X			X		X		X
	2.5X3					X					

PIPE MATRIX

CATCH BASIN SIZE	MAXIMUM INSIDE PIPE DIAMETER FOR TWO PIPES			
	180° SEPARATION (IN)	90° SEPARATION (IN)	B	C
3-FT	15	12		
4-FT	24	18		
5-FT	30	24		
6-FT	42	30		



CONCRETE BLOCK WITH CAST-IN-PLACE OR PRECAST REINFORCED CONCRETE BASE

SCHEDULE OF ITEMS

REVISED:

CONTRACT:
20160510018

PROJECT(S):
2216-01-70
2216-02-70

FEDERAL ID(S):
WISC 2016169
WISC 2016170

CONTRACTOR : _____

LINE NO	ITEM DESCRIPTION	APPROX. QUANTITY AND UNITS	UNIT PRICE		BID AMOUNT	
			DOLLARS	CTS	DOLLARS	CTS

SECTION 0001 0010 PARTICIPATING ROADWAY ITEMS

0010	201.0105 Clearing	11.000 STA
0020	201.0120 Clearing	596.000 ID
0030	201.0205 Grubbing	11.000 STA
0040	201.0220 Grubbing	716.000 ID
0050	203.0100 Removing Small Pipe Culverts	8.000 EACH
0060	204.0100 Removing Pavement	22,400.000 SY
0070	204.0150 Removing Curb & Gutter	7,600.000 LF
0080	204.0155 Removing Concrete Sidewalk	1,700.000 SY
0090	204.0170 Removing Fence	300.000 LF
0100	204.0185 Removing Masonry	10.000 CY

SCHEDULE OF ITEMS

REVISED:

CONTRACT:
20160510018PROJECT(S):
2216-01-70
2216-02-70FEDERAL ID(S):
WISC 2016169
WISC 2016170

CONTRACTOR : _____

LINE NO	ITEM DESCRIPTION	APPROX. QUANTITY AND UNITS	UNIT PRICE		BID AMOUNT	
			DOLLARS	CTS	DOLLARS	CTS
0110	204.0200 Removing Railroad Track	90.000 LF	.		.	
0120	204.0210 Removing Manholes	2.000 EACH	.		.	
0130	204.0215 Removing Catch Basins	27.000 EACH	.		.	
0140	204.0245 Removing Storm Sewer (size) 01. 8-INCH	55.000 LF	.		.	
0150	204.0245 Removing Storm Sewer (size) 02. 12-INCH	315.000 LF	.		.	
0160	204.0245 Removing Storm Sewer (size) 03. 18-INCH	35.000 LF	.		.	
0170	204.0250 Abandoning Manholes	3.000 EACH	.		.	
0180	204.0280 Sealing Pipes	6.000 EACH	.		.	
0190	204.0291.S Abandoning Sewer	900.000 CY	.		.	
0200	205.0100 Excavation Common	30,000.000 CY	.		.	

SCHEDULE OF ITEMS

REVISED:

CONTRACT:
20160510018PROJECT(S):
2216-01-70
2216-02-70FEDERAL ID(S):
WISC 2016169
WISC 2016170

CONTRACTOR : _____

LINE NO	ITEM DESCRIPTION	APPROX. QUANTITY AND UNITS	UNIT PRICE		BID AMOUNT	
			DOLLARS	CTS	DOLLARS	CTS
0210	205.0501.S Excavation, Hauling, and Disposal of Petroleum Contaminated Soil	460.000 TON	.		.	
0220	213.0100 Finishing Roadway (project) 01. 2216-01-70	1.000 EACH	.		.	
0230	213.0100 Finishing Roadway (project) 02. 2216-02-70	1.000 EACH	.		.	
0240	305.0110 Base Aggregate Dense 3/4-Inch	500.000 TON	.		.	
0250	305.0120 Base Aggregate Dense 1 1/4-Inch	18,000.000 TON	.		.	
0260	311.0110 Breaker Run	24,900.000 TON	.		.	
0270	371.1000.S QMP Base Aggregate Dense 1 1/4-Inch Compaction	18,000.000 TON	.		.	
0280	415.0080 Concrete Pavement 8-Inch	12,200.000 SY	.		.	
0290	415.0085 Concrete Pavement 8 1/2-Inch	11,300.000 SY	.		.	
0300	415.0210 Concrete Pavement Gaps	30.000 EACH	.		.	

SCHEDULE OF ITEMS

REVISED:

CONTRACT:
20160510018PROJECT(S):
2216-01-70
2216-02-70FEDERAL ID(S):
WISC 2016169
WISC 2016170

CONTRACTOR : _____

LINE NO	ITEM DESCRIPTION	APPROX. QUANTITY AND UNITS	UNIT PRICE		BID AMOUNT	
			DOLLARS	CTS	DOLLARS	CTS
0310	415.1085 Concrete Pavement HES 8 1/2-Inch	800.000 SY	.		.	
0320	415.1150.S Concrete Pavement Fast Track (inch) 01. 8-INCH	8,900.000 SY	.		.	
0330	416.0170 Concrete Driveway 7-Inch	1,000.000 SY	.		.	
0340	416.0270 Concrete Driveway HES 7-Inch	400.000 SY	.		.	
0350	416.0620 Drilled Dowel Bars	400.000 EACH	.		.	
0360	440.4410 Incentive IRI Ride	5,000.000 DOL	1.00000		5000.00	
0370	455.0605 Tack Coat	50.000 GAL	.		.	
0380	460.6424 HMA Pavement 4 MT 58-28 H	950.000 TON	.		.	
0390	465.0120 Asphaltic Surface Driveways and Field Entrances	600.000 TON	.		.	
0400	465.0125 Asphaltic Surface Temporary	600.000 TON	.		.	
0410	520.8000 Concrete Collars for Pipe	1.000 EACH	.		.	

SCHEDULE OF ITEMS

REVISED:

CONTRACT:
20160510018PROJECT(S):
2216-01-70
2216-02-70FEDERAL ID(S):
WISC 2016169
WISC 2016170

CONTRACTOR : _____

LINE NO	ITEM DESCRIPTION	APPROX. QUANTITY AND UNITS	UNIT PRICE		BID AMOUNT	
			DOLLARS	CTS	DOLLARS	CTS
0420	521.0112 Culvert Pipe Corrugated Steel 12-Inch	85.000 LF	.		.	
0430	521.0115 Culvert Pipe Corrugated Steel 15-Inch	300.000 LF	.		.	
0440	521.0118 Culvert Pipe Corrugated Steel 18-Inch	100.000 LF	.		.	
0450	521.0124 Culvert Pipe Corrugated Steel 24-Inch	110.000 LF	.		.	
0460	521.1012 Apron Endwalls for Culvert Pipe Steel 12-Inch	4.000 EACH	.		.	
0470	521.1015 Apron Endwalls for Culvert Pipe Steel 15-Inch	7.000 EACH	.		.	
0480	521.1018 Apron Endwalls for Culvert Pipe Steel 18-Inch	4.000 EACH	.		.	
0490	521.1024 Apron Endwalls for Culvert Pipe Steel 24-Inch	3.000 EACH	.		.	
0500	522.0118 Culvert Pipe Reinforced Concrete Class III 18-Inch	250.000 LF	.		.	
0510	522.1012 Apron Endwalls for Culvert Pipe Reinforced Concrete 12-Inch	8.000 EACH	.		.	

SCHEDULE OF ITEMS

REVISED:

CONTRACT:
20160510018PROJECT(S):
2216-01-70
2216-02-70FEDERAL ID(S):
WISC 2016169
WISC 2016170

CONTRACTOR : _____

LINE NO	ITEM DESCRIPTION	APPROX. QUANTITY AND UNITS	UNIT PRICE		BID AMOUNT	
			DOLLARS	CTS	DOLLARS	CTS
0520	522.1015 Apron Endwalls for Culvert Pipe Reinforced Concrete 15-Inch	EACH 1.000	.		.	
0530	522.1018 Apron Endwalls for Culvert Pipe Reinforced Concrete 18-Inch	EACH 5.000	.		.	
0540	522.1024 Apron Endwalls for Culvert Pipe Reinforced Concrete 24-Inch	EACH 2.000	.		.	
0550	522.1042 Apron Endwalls for Culvert Pipe Reinforced Concrete 42-Inch	EACH 1.000	.		.	
0560	601.0331 Concrete Curb & Gutter 31-Inch	LF 14,700.000	.		.	
0570	601.0511 Concrete Curb & Gutter Integral 6-Inch Sloped 36-Inch	LF 240.000	.		.	
0580	601.0600 Concrete Curb Pedestrian	LF 600.000	.		.	
0590	602.0410 Concrete Sidewalk 5-Inch	SF 53,600.000	.		.	
0600	602.0420 Concrete Sidewalk 7-Inch	SF 13,200.000	.		.	

SCHEDULE OF ITEMS

REVISED:

CONTRACT:
20160510018PROJECT(S):
2216-01-70
2216-02-70FEDERAL ID(S):
WISC 2016169
WISC 2016170

CONTRACTOR : _____

LINE NO	ITEM DESCRIPTION	APPROX. QUANTITY AND UNITS	UNIT PRICE		BID AMOUNT	
			DOLLARS	CTS	DOLLARS	CTS
0610	602.0515 Curb Ramp Detectable Warning Field Natural Patina	440.000 SF	.		.	
0620	606.0200 Riprap Medium	30.000 CY	.		.	
0630	608.0315 Storm Sewer Pipe Reinforced Concrete Class III 15-Inch	488.000 LF	.		.	
0640	608.0318 Storm Sewer Pipe Reinforced Concrete Class III 18-Inch	453.000 LF	.		.	
0650	608.0324 Storm Sewer Pipe Reinforced Concrete Class III 24-Inch	320.000 LF	.		.	
0660	608.0342 Storm Sewer Pipe Reinforced Concrete Class III 42-Inch	142.000 LF	.		.	
0670	608.0512 Storm Sewer Pipe Reinforced Concrete Class V 12-Inch	834.000 LF	.		.	
0680	611.0420 Reconstructing Manholes	8.000 EACH	.		.	
0700	611.2004 Manholes 4-FT Diameter	2.000 EACH	.		.	
0710	611.2005 Manholes 5-FT Diameter	4.000 EACH	.		.	
0720	611.2006 Manholes 6-FT Diameter	1.000 EACH	.		.	

SCHEDULE OF ITEMS

REVISED:

CONTRACT:
20160510018PROJECT(S):
2216-01-70
2216-02-70FEDERAL ID(S):
WISC 2016169
WISC 2016170

CONTRACTOR : _____

LINE NO	ITEM DESCRIPTION	APPROX. QUANTITY AND UNITS	UNIT PRICE		BID AMOUNT	
			DOLLARS	CTS	DOLLARS	CTS
0730	611.2007 Manholes 7-FT Diameter	1.000 EACH	.		.	
0740	611.2504 Manholes Variable Tee 4-FT Diameter	1.000 EACH	.		.	
0760	611.8110 Adjusting Manhole Covers	46.000 EACH	.		.	
0770	611.8115 Adjusting Inlet Covers	6.000 EACH	.		.	
0780	612.0106 Pipe Underdrain 6-Inch	250.000 LF	.		.	
0790	619.1000 Mobilization	1.000 EACH	.		.	
0800	620.0300 Concrete Median Sloped Nose	630.000 SF	.		.	
0810	623.0200 Dust Control Surface Treatment	36,500.000 SY	.		.	
0820	624.0100 Water	40.000 MGAL	.		.	
0830	625.0100 Topsoil	22,600.000 SY	.		.	
0840	627.0200 Mulching	15,000.000 SY	.		.	

SCHEDULE OF ITEMS

REVISED:

CONTRACT:
20160510018PROJECT(S):
2216-01-70
2216-02-70FEDERAL ID(S):
WISC 2016169
WISC 2016170

CONTRACTOR : _____

LINE NO	ITEM DESCRIPTION	APPROX. QUANTITY AND UNITS	UNIT PRICE		BID AMOUNT	
			DOLLARS	CTS	DOLLARS	CTS
0850	628.1504 Silt Fence	1,550.000	.		.	
		LF				
0860	628.1520 Silt Fence Maintenance	1,550.000	.		.	
		LF				
0870	628.1905 Mobilizations Erosion Control	10.000	.		.	
		EACH				
0880	628.1910 Mobilizations Emergency Erosion Control	10.000	.		.	
		EACH				
0890	628.2006 Erosion Mat Urban Class I Type A	600.000	.		.	
		SY				
0900	628.7010 Inlet Protection Type B	68.000	.		.	
		EACH				
0910	628.7015 Inlet Protection Type C	15.000	.		.	
		EACH				
0920	628.7504 Temporary Ditch Checks	310.000	.		.	
		LF				
0930	629.0205 Fertilizer Type A	13.000	.		.	
		CWT				
0940	630.0110 Seeding Mixture No. 10	180.000	.		.	
		LB				
0950	630.0200 Seeding Temporary	15.000	.		.	
		LB				

SCHEDULE OF ITEMS

REVISED:

CONTRACT:
20160510018PROJECT(S):
2216-01-70
2216-02-70FEDERAL ID(S):
WISC 2016169
WISC 2016170

CONTRACTOR : _____

LINE NO	ITEM DESCRIPTION	APPROX. QUANTITY AND UNITS	UNIT PRICE		BID AMOUNT	
			DOLLARS	CTS	DOLLARS	CTS
0960	631.0300 Sod Water	60.000 MGAL	.		.	
0970	631.1000 Sod Lawn	7,600.000 SY	.		.	
0980	632.0101 Trees (species) (size) (root) 01. JAPANESE TREE LILAC 'IVORY SILK'	3.000 EACH	.		.	
0990	632.0101 Trees (species) (size) (root) 02. CRIMSON SPIRE ENGLISH OAK	1.000 EACH	.		.	
1000	632.0101 Trees (species) (size) (root) 03. CALLERY PEAR	2.000 EACH	.		.	
1010	632.0101 Trees (species) (size) (root) 04. AUTUMN BLAZE MAPLE	2.000 EACH	.		.	
1020	632.0101 Trees (species) (size) (root) 05. CATALPA	1.000 EACH	.		.	
1030	632.0101 Trees (species) (size) (root) 06. AMUR CORK TREE	1.000 EACH	.		.	
1040	632.0101 Trees (species) (size) (root) 07. TULIP TREE	1.000 EACH	.		.	
1050	632.0101 Trees (species) (size) (root) 08. SWEET GUM TREE	1.000 EACH	.		.	

SCHEDULE OF ITEMS

REVISED:

CONTRACT:
20160510018PROJECT(S):
2216-01-70
2216-02-70FEDERAL ID(S):
WISC 2016169
WISC 2016170

CONTRACTOR : _____

LINE NO	ITEM DESCRIPTION	APPROX. QUANTITY AND UNITS	UNIT PRICE		BID AMOUNT	
			DOLLARS	CTS	DOLLARS	CTS
1060	632.0101 Trees (species) (size) (root) 09. BALD - CYPRESS	1.000 EACH	.		.	
1070	634.0805 Posts Tubular Steel 2x2-Inch X 5-FT	9.000 EACH	.		.	
1080	634.0810 Posts Tubular Steel 2x2-Inch X 10-FT	58.000 EACH	.		.	
1090	634.0812 Posts Tubular Steel 2x2-Inch X 12-FT	7.000 EACH	.		.	
1100	637.2210 Signs Type II Reflective H	193.670 SF	.		.	
1110	637.2230 Signs Type II Reflective F	268.030 SF	.		.	
1120	638.2602 Removing Signs Type II	50.000 EACH	.		.	
1130	638.3000 Removing Small Sign Supports	30.000 EACH	.		.	
1140	642.5401 Field Office Type D	1.000 EACH	.		.	
1150	643.0200 Traffic Control Surveillance and Maintenance (project) 01. 2216-01-70	316.000 DAY	.		.	

SCHEDULE OF ITEMS

REVISED:

CONTRACT:
20160510018PROJECT(S):
2216-01-70
2216-02-70FEDERAL ID(S):
WISC 2016169
WISC 2016170

CONTRACTOR : _____

LINE NO	ITEM DESCRIPTION	APPROX. QUANTITY AND UNITS	UNIT PRICE		BID AMOUNT	
			DOLLARS	CTS	DOLLARS	CTS
1160	643.0300 Traffic Control Drums	53,000.000 DAY	.		.	
1170	643.0420 Traffic Control Barricades Type III	10,600.000 DAY	.		.	
1180	643.0500 Traffic Control Flexible Tubular Marker Posts	111.000 EACH	.		.	
1190	643.0600 Traffic Control Flexible Tubular Marker Bases	111.000 EACH	.		.	
1200	643.0705 Traffic Control Warning Lights Type A	13,300.000 DAY	.		.	
1210	643.0715 Traffic Control Warning Lights Type C	13,700.000 DAY	.		.	
1220	643.0800 Traffic Control Arrow Boards	800.000 DAY	.		.	
1230	643.0900 Traffic Control Signs	26,600.000 DAY	.		.	
1240	643.1050 Traffic Control Signs PCMS	300.000 DAY	.		.	
1250	643.2000 Traffic Control Detour (project) 01. 2216-01-70	1.000 EACH	.		.	
1260	643.3000 Traffic Control Detour Signs	33,000.000 DAY	.		.	

SCHEDULE OF ITEMS

REVISED:

CONTRACT:
20160510018PROJECT(S):
2216-01-70
2216-02-70FEDERAL ID(S):
WISC 2016169
WISC 2016170

CONTRACTOR : _____

LINE NO	ITEM DESCRIPTION	APPROX. QUANTITY AND UNITS	UNIT PRICE		BID AMOUNT	
			DOLLARS	CTS	DOLLARS	CTS
1270	644.1420.S Temporary Pedestrian Surface Plywood	2,260.000 SF	.		.	
1280	644.1601.S Temporary Curb Ramp	18.000 EACH	.		.	
1290	644.1616.S Temporary Pedestrian Safety Fence	610.000 LF	.		.	
1300	645.0111 Geotextile Fabric Type DF Schedule A	250.000 SY	.		.	
1310	645.0120 Geotextile Fabric Type HR	60.000 SY	.		.	
1320	646.0600 Removing Pavement Markings	500.000 LF	.		.	
1330	647.0110 Pavement Marking Railroad Crossings Epoxy	4.000 EACH	.		.	
1340	647.0166 Pavement Marking Arrows Epoxy Type 2	10.000 EACH	.		.	
1350	647.0206 Pavement Marking Arrows Bike Lane Epoxy	13.000 EACH	.		.	
1360	647.0306 Pavement Marking Symbols Bike Lane Epoxy	13.000 EACH	.		.	
1370	647.0356 Pavement Marking Words Epoxy	9.000 EACH	.		.	

SCHEDULE OF ITEMS

REVISED:

CONTRACT:
20160510018PROJECT(S):
2216-01-70
2216-02-70FEDERAL ID(S):
WISC 2016169
WISC 2016170

CONTRACTOR : _____

LINE NO	ITEM DESCRIPTION	APPROX. QUANTITY AND UNITS	UNIT PRICE		BID AMOUNT	
			DOLLARS	CTS	DOLLARS	CTS
1380	647.0566 Pavement Marking Stop Line Epoxy 18-Inch	430.000 LF	.		.	
1390	647.0766 Pavement Marking Crosswalk Epoxy 6-Inch	1,460.000 LF	.		.	
1400	649.0400 Temporary Pavement Marking Removable Tape 4-Inch	25,500.000 LF	.		.	
1410	649.0402 Temporary Pavement Marking Paint 4-Inch	14,500.000 LF	.		.	
1420	649.0801 Temporary Pavement Marking Removable Tape 8-Inch	1,800.000 LF	.		.	
1430	649.1000 Temporary Pavement Marking Stop Line Removable Tape 12-Inch	300.000 LF	.		.	
1440	650.4000 Construction Staking Storm Sewer	100.000 EACH	.		.	
1450	650.4500 Construction Staking Subgrade	7,800.000 LF	.		.	
1460	650.5500 Construction Staking Curb Gutter and Curb & Gutter	700.000 LF	.		.	
1470	650.6000 Construction Staking Pipe Culverts	23.000 EACH	.		.	

SCHEDULE OF ITEMS

REVISED:

CONTRACT:
20160510018PROJECT(S):
2216-01-70
2216-02-70FEDERAL ID(S):
WISC 2016169
WISC 2016170

CONTRACTOR : _____

LINE NO	ITEM DESCRIPTION	APPROX. QUANTITY AND UNITS	UNIT PRICE		BID AMOUNT	
			DOLLARS	CTS	DOLLARS	CTS
1480	650.7000 Construction Staking Concrete Pavement	7,800.000 LF	.		.	
1490	650.8500 Construction Staking Electrical Installations (project) 01. 2216-01-70	LUMP	LUMP		.	
1500	650.8500 Construction Staking Electrical Installations (project) 02. 2216-02-70	LUMP	LUMP		.	
1510	650.9910 Construction Staking Supplemental Control (project) 01. 2216-01-70	LUMP	LUMP		.	
1520	650.9910 Construction Staking Supplemental Control (project) 02. 2216-02-70	LUMP	LUMP		.	
1530	650.9920 Construction Staking Slope Stakes	6,400.000 LF	.		.	
1540	652.0225 Conduit Rigid Nonmetallic Schedule 40 2-Inch	210.000 LF	.		.	
1550	652.0235 Conduit Rigid Nonmetallic Schedule 40 3-Inch	690.000 LF	.		.	
1560	652.0615 Conduit Special 3-Inch	1,650.000 LF	.		.	
1570	654.0101 Concrete Bases Type 1	9.000 EACH	.		.	

SCHEDULE OF ITEMS

REVISED:

CONTRACT:
20160510018PROJECT(S):
2216-01-70
2216-02-70FEDERAL ID(S):
WISC 2016169
WISC 2016170

CONTRACTOR : _____

LINE NO	ITEM DESCRIPTION	APPROX. QUANTITY AND UNITS	UNIT PRICE		BID AMOUNT	
			DOLLARS	CTS	DOLLARS	CTS
1580	654.0110 Concrete Bases Type 10	5.000 EACH	.		.	
1590	655.0230 Cable Traffic Signal 5-14 AWG	1,450.000 LF	.		.	
1600	655.0240 Cable Traffic Signal 7-14 AWG	1,130.000 LF	.		.	
1610	655.0260 Cable Traffic Signal 12-14 AWG	1,660.000 LF	.		.	
1620	655.0270 Cable Traffic Signal 15-14 AWG	1,550.000 LF	.		.	
1630	655.0515 Electrical Wire Traffic Signals 10 AWG	3,240.000 LF	.		.	
1640	655.0900 Traffic Signal EVP Detector Cable	1,560.000 LF	.		.	
1650	657.0100 Pedestal Bases	9.000 EACH	.		.	
1660	657.0425 Traffic Signal Standards Aluminum 15-FT	6.000 EACH	.		.	
1670	657.0430 Traffic Signal Standards Aluminum 10-FT	3.000 EACH	.		.	

SCHEDULE OF ITEMS

REVISED:

CONTRACT:
20160510018PROJECT(S):
2216-01-70
2216-02-70FEDERAL ID(S):
WISC 2016169
WISC 2016170

CONTRACTOR : _____

LINE NO	ITEM DESCRIPTION	APPROX. QUANTITY AND UNITS	UNIT PRICE		BID AMOUNT	
			DOLLARS	CTS	DOLLARS	CTS
1680	658.0110 Traffic Signal Face 3-12 Inch Vertical	40.000 EACH	.		.	
1690	658.0215 Backplates Signal Face 3 Section 12-Inch	40.000 EACH	.		.	
1700	658.0416 Pedestrian Signal Face 16-Inch	16.000 EACH	.		.	
1710	658.0600 Led Modules 12-Inch Red Ball	24.000 EACH	.		.	
1720	658.0605 Led Modules 12-Inch Yellow Ball	24.000 EACH	.		.	
1730	658.0610 Led Modules 12-Inch Green Ball	24.000 EACH	.		.	
1740	658.0615 Led Modules 12-Inch Red Arrow	16.000 EACH	.		.	
1750	658.0620 Led Modules 12-Inch Yellow Arrow	32.000 EACH	.		.	
1760	658.0635 Led Modules Pedestrian Countdown Timer 16-Inch	16.000 EACH	.		.	
1770	658.5069 Signal Mounting Hardware (location) 01. W. MILL RD. & N. TEUTONIA AVE.	LUMP	LUMP		.	

SCHEDULE OF ITEMS

REVISED:

CONTRACT:
20160510018PROJECT(S):
2216-01-70
2216-02-70FEDERAL ID(S):
WISC 2016169
WISC 2016170

CONTRACTOR : _____

LINE NO	ITEM DESCRIPTION	APPROX. QUANTITY AND UNITS	UNIT PRICE		BID AMOUNT	
			DOLLARS	CTS	DOLLARS	CTS
1780	658.5069 Signal Mounting Hardware (location) 02. MILL RD & 43RD ST	LUMP	LUMP			.
1790	690.0150 Sawing Asphalt	4,500.000 LF	.			.
1800	690.0250 Sawing Concrete	5,600.000 LF	.			.
1810	715.0415 Incentive Strength Concrete Pavement	5,000.000 DOL	1.00000		5000.00	
1820	ASP.1T0A On-the-Job Training Apprentice at \$5.00/HR	2,400.000 HRS	5.00000		12000.00	
1830	ASP.1T0G On-the-Job Training Graduate at \$5. 00/HR	1,400.000 HRS	5.00000		7000.00	
1840	SPV.0035 Special 01. BACKFILL SLURRY	200.000 CY	.			.
1850	SPV.0060 Special 01. INLET COVERS TYPE 57	49.000 EACH	.			.
1860	SPV.0060 Special 02. MANHOLE COVERS TYPE 58A	9.000 EACH	.			.
1870	SPV.0060 Special 03. INTERNAL SANITARY MANHOLE SEAL	35.000 EACH	.			.

SCHEDULE OF ITEMS

REVISED:

CONTRACT:
20160510018PROJECT(S):
2216-01-70
2216-02-70FEDERAL ID(S):
WISC 2016169
WISC 2016170

CONTRACTOR : _____

LINE NO	ITEM DESCRIPTION	APPROX. QUANTITY AND UNITS	UNIT PRICE		BID AMOUNT	
			DOLLARS	CTS	DOLLARS	CTS
1880	SPV.0060 Special 04. ADJUSTING WATER VALVE BOXES	28.000 EACH	.		.	
1890	SPV.0060 Special 05. ADJUSTING TES MANHOLE COVER	13.000 EACH	.		.	
1900	SPV.0060 Special 06. CLEANING DRAINAGE STRUCTURES	18.000 EACH	.		.	
1910	SPV.0060 Special 07. REMOVING LANDMARK REFERENCE MONUMENT	1.000 EACH	.		.	
1920	SPV.0060 Special 08. UTILITY LINE OPENING (ULO)	12.000 EACH	.		.	
1930	SPV.0060 Special 09. REMOVING HYDRANT	15.000 EACH	.		.	
1940	SPV.0060 Special 10. INSTALLING HYDRANT	11.000 EACH	.		.	
1950	SPV.0060 Special 11. PERMANENT DITCH CHECKS	2.000 EACH	.		.	
1960	SPV.0060 Special 12. ELECTRICAL VAULT 17x30x18-INCH	23.000 EACH	.		.	
1970	SPV.0060 Special 13. CONCRETE BASES TYPE 10 MODIFIED	3.000 EACH	.		.	
1980	SPV.0060 Special 14. POLES TYPE 9	1.000 EACH	.		.	

SCHEDULE OF ITEMS

REVISED:

CONTRACT:
20160510018PROJECT(S):
2216-01-70
2216-02-70FEDERAL ID(S):
WISC 2016169
WISC 2016170

CONTRACTOR : _____

LINE NO	ITEM DESCRIPTION	APPROX. QUANTITY AND UNITS	UNIT PRICE		BID AMOUNT	
			DOLLARS	CTS	DOLLARS	CTS
1990	SPV.0060 Special 15. POLES TYPE 10	4.000 EACH	.		.	
2000	SPV.0060 Special 16. POLES TYPE 12 MODIFIED	3.000 EACH	.		.	
2010	SPV.0060 Special 17. MONOTUBE ARMS 25-FT	2.000 EACH	.		.	
2020	SPV.0060 Special 18. MONOTUBE ARMS 30-FT	3.000 EACH	.		.	
2030	SPV.0060 Special 19. MONOTUBE ARMS 35-FT MODIFIED	3.000 EACH	.		.	
2040	SPV.0060 Special 20. INSTALLING CONDUIT INTO EXISTING MANHOLE	4.000 EACH	.		.	
2050	SPV.0060 Special 21. 4' DIAMETER MANHOLE TYPE TES	7.000 EACH	.		.	
2060	SPV.0060 Special 22. CONNECT ORIGINAL SERVICE (C.O.S.)	2.000 EACH	.		.	
2070	SPV.0060 Special 23. DISCONNECT SERVICE (D.S.)	1.000 EACH	.		.	
2080	SPV.0060 Special 24. ABANDON WATER MAIN 8-INCH	3.000 EACH	.		.	
2090	SPV.0060 Special 25. WATER MAIN PROTECTION	4.000 EACH	.		.	

SCHEDULE OF ITEMS

REVISED:

CONTRACT:
20160510018PROJECT(S):
2216-01-70
2216-02-70FEDERAL ID(S):
WISC 2016169
WISC 2016170

CONTRACTOR : _____

LINE NO	ITEM DESCRIPTION	APPROX. QUANTITY AND UNITS	UNIT PRICE		BID AMOUNT	
			DOLLARS	CTS	DOLLARS	CTS
2100	SPV.0090 Special 01. PAVEMENT MARKING GROOVED EPOXY 4-INCH	18,700.000 LF	.		.	
2110	SPV.0090 Special 02. PAVEMENT MARKING GROOVED EPOXY 8-INCH	1,100.000 LF	.		.	
2120	SPV.0090 Special 03. CONSTRUCTION STAKING CONCRETE SIDEWALK	11,000.000 LF	.		.	
2130	SPV.0090 Special 04. 5-DUCT CONDUIT CONCRETE ENCASED 4-INCH RIGID NONMETALLIC CONDUIT DB-60	70.000 LF	.		.	
2140	SPV.0090 Special 05. 4-DUCT CONDUIT CONCRETE ENCASED 4-INCH RIGID NONMETALLIC CONDUIT DB-60	3,100.000 LF	.		.	
2150	SPV.0090 Special 06. 2-DUCT CONDUIT CONCRETE ENCASED 4-INCH RIGID NONMETALLIC CONDUIT DB-60	80.000 LF	.		.	
2160	SPV.0090 Special 07. 1-DUCT CONDUIT CONCRETE ENCASED 4-INCH RIGID NONMETALLIC CONDUIT DB-60	100.000 LF	.		.	
2170	SPV.0090 Special 08. DUCTILE IRON WATER MAIN 8-INCH	219.000 LF	.		.	

SCHEDULE OF ITEMS

REVISED:

CONTRACT:
20160510018

PROJECT(S):
2216-01-70
2216-02-70

FEDERAL ID(S):
WISC 2016169
WISC 2016170

CONTRACTOR : _____

LINE NO	ITEM DESCRIPTION	APPROX. QUANTITY AND UNITS	UNIT PRICE		BID AMOUNT	
			DOLLARS	CTS	DOLLARS	CTS
2180	SPV.0090 Special 09. DUCTILE IRON WATER MAIN 12-INCH	18.000 LF	.		.	
2190	SPV.0090 Special 10. DUCTILE IRON WATER MAIN 16-INCH	78.000 LF	.		.	
2200	SPV.0090 Special 11. DUCTILE IRON HYDRANT BRANCH 6-INCH	176.000 LF	.		.	
2210	SPV.0105 Special 01. EMERGENCY VEHICLE PREEMPTION SYSTEM Project 2216-01-70	LUMP	LUMP		.	
2220	SPV.0105 Special 02. 18" STEEL CASING PIPE JACKED AND BORED	LUMP	LUMP		.	
2230	SPV.0105 Special 03. CONCRETE PAVEMENT JOINT LAYOUT	LUMP	LUMP		.	
2240	SPV.0105 Special 04. EMERGENCY VEHICLE PREEMPTION SYSTEM Project 2216-02-70	LUMP	LUMP		.	
2250	SPV.0170 Special 01. TEST ROLLING	120.000 STA	.		.	
2260	SPV.0180 Special 01. GEOGRID REINFORCEMENT	500.000 SY	.		.	
2270	SPV.0195 Special 01. MANAGEMENT OF SOLID WASTE	17,600.000 TON	.		.	

SCHEDULE OF ITEMS

REVISED:

CONTRACT:
20160510018

PROJECT(S):
2216-01-70
2216-02-70

FEDERAL ID(S):
WISC 2016169
WISC 2016170

CONTRACTOR : _____

LINE NO	ITEM DESCRIPTION	APPROX. QUANTITY AND UNITS	UNIT PRICE		BID AMOUNT	
			DOLLARS	CTS	DOLLARS	CTS
2280	611.1004 Catch Basins 4-FT Diameter	45.000 EACH	.		.	
2290	611.3225 Inlets 2x2.5-FT	4.000 EACH	.		.	
	SECTION 0001 TOTAL				.	
	TOTAL BID				.	