

Wisconsin Department of Transportation

May 05, 2016

Division of Transportation Systems Development

Bureau of Project Development
4802 Sheboygan Avenue, Rm 601
P O Box 7916
Madison, WI 53707-7916

Telephone: (608) 266-1631
Facsimile (FAX): (608) 266-8459

NOTICE TO ALL CONTRACTORS:

Proposal #33: 6140-01-72
Wisconsin Dells - Adams
CTH E to Union Pacific Railroad
STH 13
Adams County

Letting of May 10, 2016

This is Addendum No. 01, which provides for the following:

Plan Sheets

Revised Plan Sheets	
Plan Sheet	Plan Sheet Title (brief description of changes to sheet)
4	Typical Section (changed shoulder slope)
5	Typical Section (changed shoulder slope)

Plan Sheets

The following 8½ x 11-inch sheets are attached and made part of the plans for this proposal:
Revised: 4 and 5

The responsibility for notifying potential subcontractors and suppliers of these changes remains with the prime contractor.

Sincerely,

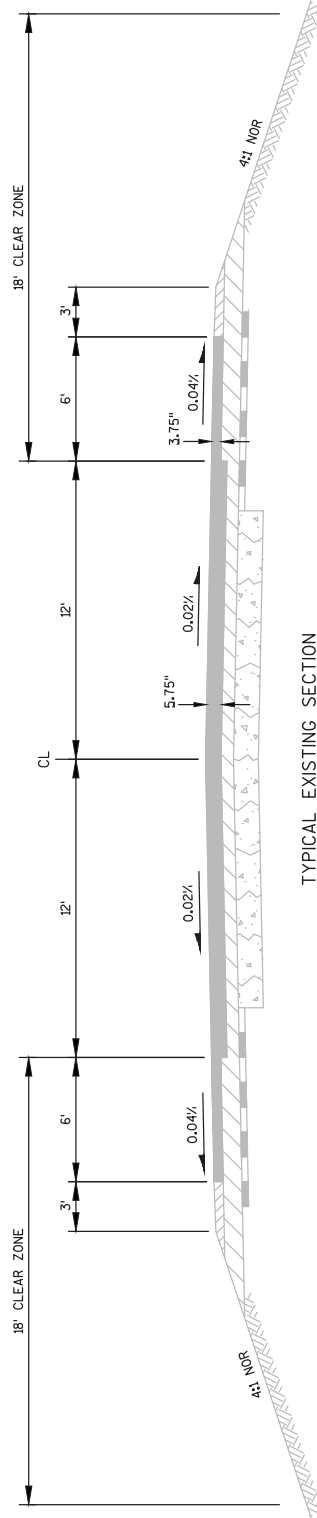
Mike Coleman

Proposal Development Specialist
Proposal Management Section

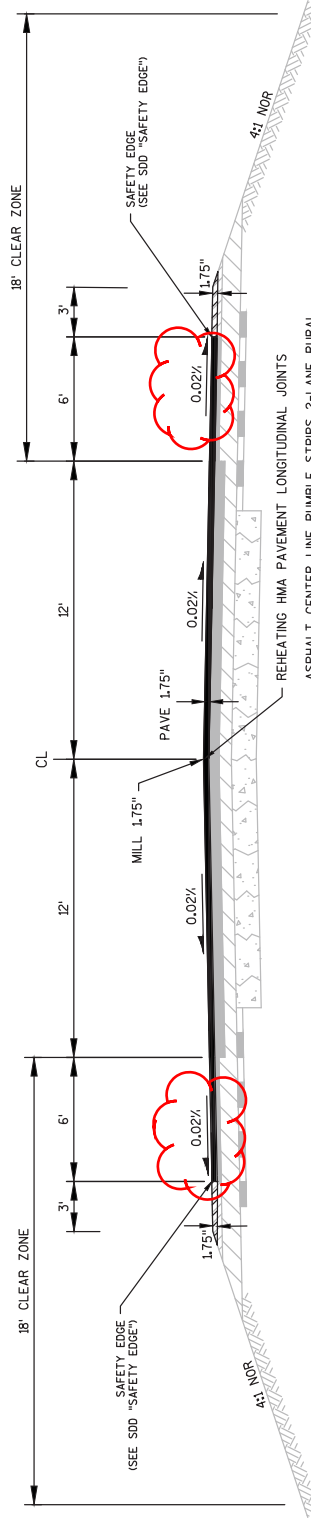
END OF ADDENDUM

LEGEND

- HMA PAVEMENT TYPE
- EXISTING HMA PAVEMENT
- BASE AGGREGATE DENSE 3/4"
- EXISTING BASE AGGREGATE DENSE 3/4"
- EXISTING BASE AGGREGATE DENSE 1 1/4"
- EXISTING RUBBLIZED CONCRETE PAVEMENT
- EXISTING ASPHALTIC STABILIZED SHOULDER
- ORIGINAL GROUND



TYPICAL EXISTING SECTION
STA 954+40 TO STA 1130+34











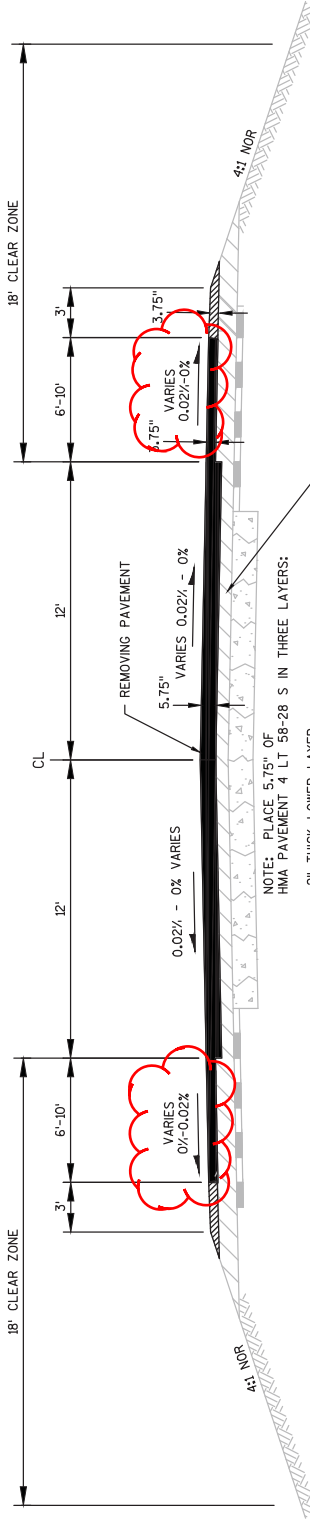
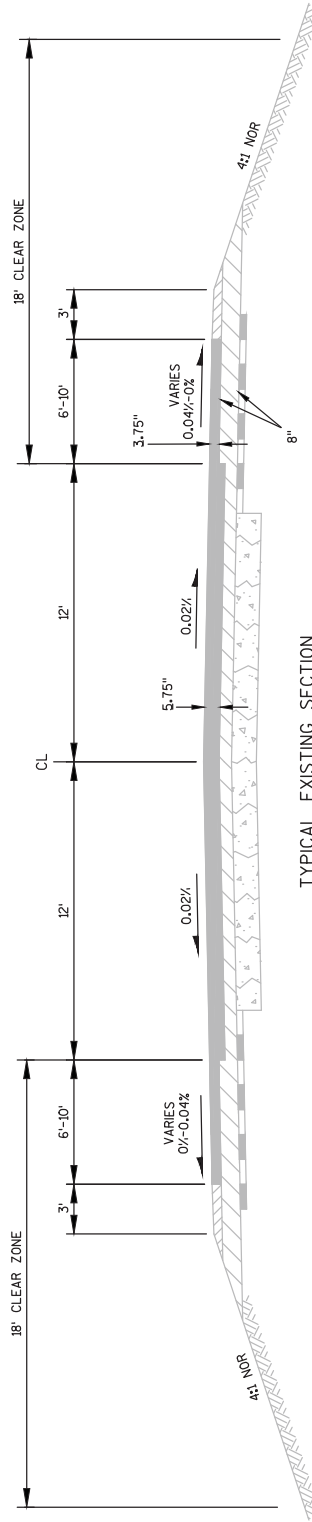
TYPICAL PROPOSED SECTION
STA 954+40 TO STA 1130+34

Addendum No. 01
ID 6140-01-72
Revised Sheet 4
May 5, 2016

PROJECT NO: 6140-01-72	HWY: STH 13	COUNTY: ADAMS	PLAN: TYPICAL SECTIONS	SHEET 4	E
FILE NAME : N:\POS\C3D\61400.02\SHEETS\PLAN\02301.TS.DWG					
PLOT DATE : 5/5/2016 1:23 PM					
PLOT BY : OLSEN, REBECCA J					
PLOT SCALE : 1 IN=5 FT					
WISDOT/CADD SHEET 42					

LEGEND

-  HMA PAVEMENT TYPE
-  EXISTING HMA PAVEMENT
-  BASE AGGREGATE DENSE 3/4"
-  EXISTING BASE AGGREGATE DENSE 3/4"
-  EXISTING BASE AGGREGATE DENSE 1 1/4"
-  EXISTING RUBBLIZED CONCRETE PAVEMENT
-  EXISTING ASPHALTIC STABILIZED SHOULDER
-  ORIGINAL GROUND



Addendum No. 01
ID 6140-01-72
Revised Sheet 5
May 5, 2016

PROJECT NO: 6140-01-72	HWY: STH 13	COUNTY: ADAMS	PLAN: TYPICAL SECTIONS	SHEET 5	E
FILE NAME : N:\POS\C3D\61400102\SHEETS\PLAN\02301.TS.DWG					
PLOT DATE : 5/5/2016 1:32 PM					
PLOT BY : OLSEN, REBECCA J					
PLOT NAME :					
PLOT SCALE : 1 IN=5 FT					
WSDOT/CADD SHEET 42					