



Wisconsin Department of Transportation

June 08, 2016

Division of Transportation Systems Development

Bureau of Project Development
 4802 Sheboygan Avenue, Rm 601
 P O Box 7916
 Madison, WI 53707-7916

Telephone: (608) 266-1631
 Facsimile (FAX): (608) 266-8459

NOTICE TO ALL CONTRACTORS:

Proposal #20: 8590-22-60
Bruce to Radisson
South County Line to STH 27
STH 40
Sawyer County

Letting of June 14, 2016

This is Addendum No. 3 which provides for the following:

Special Provisions

Added Special Provisions	
Article No.	Description
25	Ditch Cleaning, Item SPV.0090.02

Schedule of Items

Revised Bid Item Quantities					
Bid Item	Item Description	Unit	Old Quantity	Revised Quantity	Proposal Total
205.0100	Excavation Common	SY	6,700	-5,430	1,270
625.0500	Salvaged Topsoil	SY	17,305	-15,830	1,475
628.7504	Temporary Ditch Checks	LF	740	-560	180
629.0205	Fertilizer Type A	CWT	11.5	-9.5	2
630.0130	Seeding Mixture No. 30	LB	294	-285	9

Added Bid Item Quantities					
Bid Item	Item Description	Unit	Old Quantity	Revised Quantity	Proposal Total
628.2008	Erosion Mat Urban Class I Type B	SY	0	4,400	4,400
SPV.0090.02	Ditch Cleaning	LF	0	3,500	3,500

Deleted Bid Item Quantities					
Bid Item	Item Description	Unit	Old Quantity	Revised Quantity	Proposal Total
627.0200	Mulching	SY	18,280	-18,280	0

Plan Sheets

Revised Plan Sheets	
Plan Sheet	Plan Sheet Title (brief description of changes to sheet)
8	Construction Details (Added Ditch Cleaning Detail)
28	Miscellaneous Quantities (Revised Earthwork Table, Added Ditch Cleaning Bid Item)
30	Miscellaneous Quantities (Added Erosion Mat Item, Deleted Mulching Item, Revised Quantities of other restoration items)

The responsibility for notifying potential subcontractors and suppliers of these changes remains with the prime contractor.

Sincerely,

Mike Coleman

Proposal Development Specialist
Proposal Management Section

ADDENDUM NO. 03

8590-22-60

June 08, 2016

Special Provisions

25. Ditch Cleaning, Item SPV.0090.02.

A Description

This special provision describes cleaning existing ditches, cleaning debris from apron endwalls, and disposing of the resulting materials.

B (Vacant)

C Construction

Dispose of all surplus and unsuitable materials according to standard spec 205.3.12.

D Measurement

The department will measure Ditch Cleaning as length in linear foot of ditch cleaned, acceptably completed.

E Payment

The department will pay for measured quantities at the contract unit price under the following bid item:

ITEM NUMBER	DESCRIPTION	UNIT
SPV.0090.02	Ditch Cleaning	LF

Payment is full compensation for excavating material from existing ditch; for removal of brush and trees up to 3-inch diameter; for cleaning apron endwalls to a depth of three feet; for placing and finishing salvaged topsoil and/or topsoil as needed; for seed, fertilizer, finishing of all disturbed areas necessary to blend the slopes resulting from ditch cleaning back into existing inslopes and back slopes; and for disposing of all material. Erosion mat will be measured and paid for under the pertinent items provided in the contract.

Schedule of Items

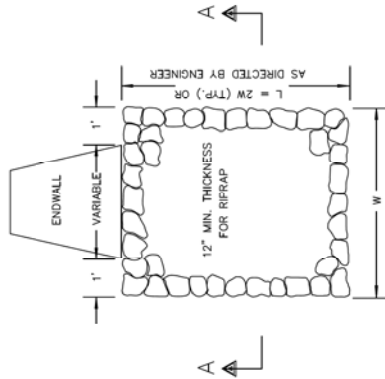
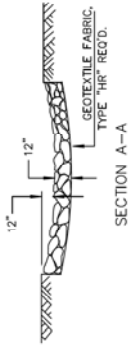
Attached, dated June 08, 2016, are the revised Schedule of Items Pages 1 – 9.

Plan Sheets

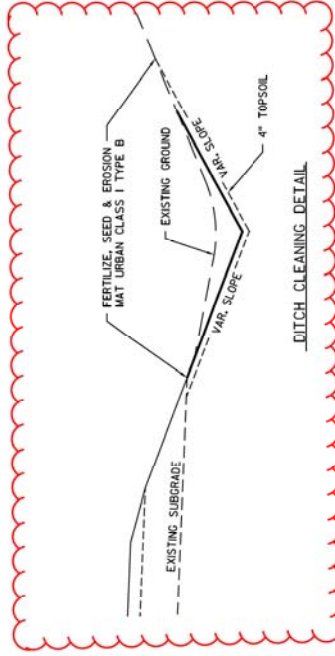
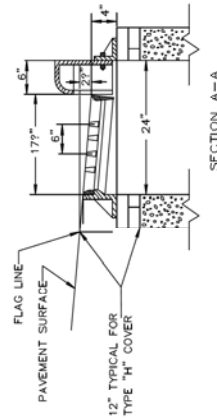
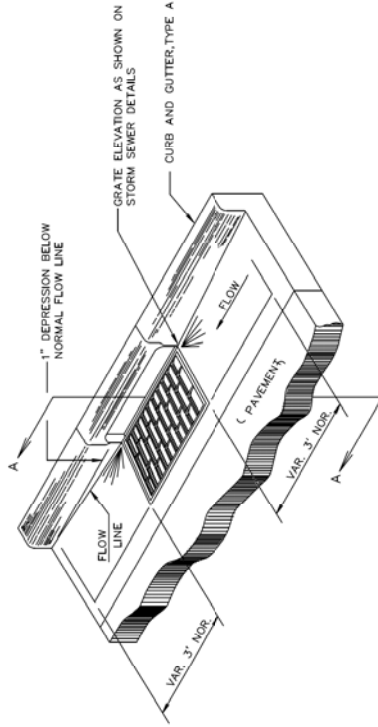
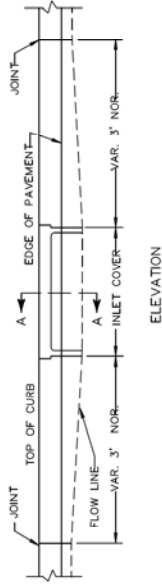
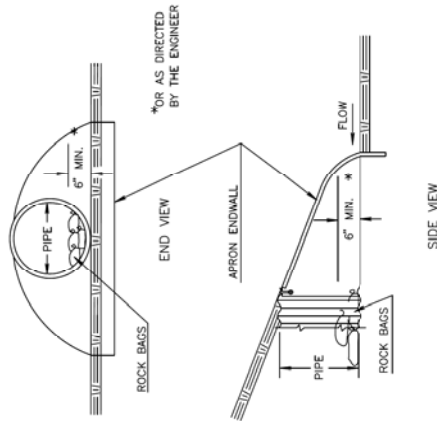
The following 8½ x 11-inch sheets are attached and made part of the plans for this proposal:
Revised: 8, 28 and 30.

END OF ADDENDUM

Addendum No. 03
ID 8590-22-60
Revised Sheet 8
June 08, 2016



RIPRAP TREATMENT AT CULVERTS



PROJECT NUMBER: 8590-22-60	HWY: STH 40	COUNTY: SAWYER	CONSTRUCTION DETAILS	SHEET NO: 8	E
FILE NAME: G:\0212-proj\12467063\dwg\Bm Set\020304_cd.dwg					
PLOT DATE: Jun 07, 2016 • 10:28am					
PLOT NAME: Construction Details (3)					
ORIG. DATE: Jan 28, 1998					
Originator:					
PLOT SCALE:					

Addendum No. 03
ID 8590-22-60
Revised Sheet 30
June 08, 2016

CATEGORY	STATION	TO	STATION	CURB RAMP		CONCRETE DRIVEWAY		CONCRETE DRIVEWAY		CONCRETE DRIVEWAY		
				DETECTABLE	WARNING	CONCRETE	SIDEWALK	CONCRETE	SIDEWALK	CONCRETE	SIDEWALK	CONCRETE
0020	610+89	-	610+90	LT	4	-	-	-	-	-	-	
0020	613+25	-	617+08	RT	213	-	-	-	-	-	-	
0020	616+30	-	616+34	LT	3	-	-	-	-	-	-	
0020	609+02	-	609+12	LT	7	-	48	-	8	48	-	
0020	609+03	-	609+22	RT	33	17	95	-	8	95	17	
0020	609+56	-	612+83	LT	302	51	1238	380	16	1618	51	
0020	609+65	-	612+84	RT	295	44	1261	350	16	1611	44	
0020	613+26	-	617+09	LT	320	22	1732	175	16	1907	22	
0020	613+26	-	616+51	RT	297	44	1265	350	16	1615	44	
0020	616+94	-	620+57	RT	320	36	1552	275	16	1827	36	
0020	617+51	-	620+57	LT	298	58	1088	450	16	1538	58	
0020	617+70	-	617+75	LT	-	-	-	-	-	-	-	
0020	617+70	-	617+75	RT	-	-	-	-	-	-	-	
0020 TOTAL					220	1870	273	8280	1980	128	10260	273

CATEGORY	STATION	TO	STATION	SY	SY	EROSION MAT		SILT FENCE		MOBILIZATIONS		MOBILIZATIONS		FERTILIZER		SEEDING		REMARKS		
						URBAN	CLASS I	TYPE B	FENCE	TYPE A	TYPE B	EA	EA	EA	EA	EA	EA		EA	EA
0010	317+20	-	317+20	100	-	-	-	-	-	-	-	-	-	-	-	-	-	-	CULVERT	
0010	329+27	-	329+27	100	-	-	-	-	-	-	-	-	-	-	-	-	-	-	CULVERT	
0010	348+36	-	348+36	100	-	-	-	-	-	-	-	-	-	-	-	-	-	-	CULVERT	
0010	496+89	-	496+89	100	-	-	-	-	-	-	-	-	-	-	-	-	-	-	CULVERT	
0010	509+33	-	509+33	100	-	-	-	-	-	-	-	-	-	-	-	-	-	-	CULVERT	
0010	UNDISTRIBUTED	-	UNDISTRIBUTED	1950	-	-	-	-	-	-	-	-	-	-	-	-	-	-	DITCH CLEANING	
0010	UNDISTRIBUTED	-	UNDISTRIBUTED	-	-	2000	2000	5	5	5	5	5	5	5	5	5	5	5	-	
0010 TOTAL				0	500	2450	2000	2000	5	5	5	5	5	5	5	5	5	5	5	0
0020	508+00	-	620+65	RT	975	975	1950	-	-	-	-	-	-	-	1.5	-	-	-	42	
0020 TOTAL				975	975	1950	0	0	0	0	0	0	0	0	1.5	0	0	0	42	
TOTAL				975	1475	4400	2000	2000	5	5	5	5	5	5	5	2	9	9	9	42

SCHEDULE OF ITEMS

REVISED:

CONTRACT:
20160614020PROJECT(S):
8590-22-60FEDERAL ID(S):
N/A

CONTRACTOR : _____

LINE NO	ITEM DESCRIPTION	APPROX. QUANTITY AND UNITS	UNIT PRICE		BID AMOUNT	
			DOLLARS	CTS	DOLLARS	CTS

SECTION 0001 Roadway Items

0010	202.0105 Roadside Clearing	25.000 STA
0020	203.0100 Removing Small Pipe Culverts	5.000 EACH
0030	204.0120 Removing Asphaltic Surface Milling	146,338.000 SY
0040	204.0150 Removing Curb & Gutter	1,917.000 LF
0050	204.0155 Removing Concrete Sidewalk	220.000 SY
0060	204.0220 Removing Inlets	4.000 EACH
0070	204.0245 Removing Storm Sewer (size) 01. 12-INCH	123.000 LF
0080	205.0100 Excavation Common	1,270.000 CY
0090	211.0400 Prepare Foundation for Asphaltic Shoulders	472.000 STA
0100	213.0100 Finishing Roadway (project) 01. 8590-22-60	1.000 EACH

SCHEDULE OF ITEMS

REVISED:

CONTRACT:
20160614020PROJECT(S):
8590-22-60FEDERAL ID(S):
N/A

CONTRACTOR : _____

LINE NO	ITEM DESCRIPTION	APPROX. QUANTITY AND UNITS	UNIT PRICE		BID AMOUNT	
			DOLLARS	CTS	DOLLARS	CTS
0110	305.0110 Base Aggregate Dense 3/4-Inch	4,780.000 TON
0120	305.0120 Base Aggregate Dense 1 1/4-Inch	1,975.000 TON
0130	305.0500 Shaping Shoulders	1,006.000 STA
0140	350.0145 Subbase 12-Inch	1,870.000 SY
0150	416.0160 Concrete Driveway 6-Inch	273.000 SY
0160	440.4410 Incentive IRI Ride	39,290.000 DOL	1.00000		39290.00	
0170	455.0605 Tack Coat	9,560.000 GAL
0180	460.2000 Incentive Density HMA Pavement	10,530.000 DOL	1.00000		10530.00	
0210	465.0110 Asphaltic Surface Patching	50.000 TON
0220	465.0120 Asphaltic Surface Driveways and Field Entrances	80.000 TON
0230	465.0475 Asphalt Center Line Rumble Strips 2-Lane Rural	50,590.000 LF

SCHEDULE OF ITEMS

REVISED:

CONTRACT:
20160614020PROJECT(S):
8590-22-60FEDERAL ID(S):
N/A

CONTRACTOR : _____

LINE NO	ITEM DESCRIPTION	APPROX. QUANTITY AND UNITS	UNIT PRICE		BID AMOUNT	
			DOLLARS	CTS	DOLLARS	CTS
0240	520.1024 Apron Endwalls for Culvert Pipe 24-Inch	4.000 EACH
0250	520.1030 Apron Endwalls for Culvert Pipe 30-Inch	7.000 EACH
0260	520.1036 Apron Endwalls for Culvert Pipe 36-Inch	3.000 EACH
0270	520.1048 Apron Endwalls for Culvert Pipe 48-Inch	4.000 EACH
0280	520.3148 Culvert Pipe Class III 48-Inch	60.000 LF
0290	520.3324 Culvert Pipe Class III-A 24-Inch	60.000 LF
0300	520.3330 Culvert Pipe Class III-A 30-Inch	118.000 LF
0310	520.3336 Culvert Pipe Class III-A 36-Inch	50.000 LF
0320	601.0411 Concrete Curb & Gutter 30-Inch Type D	2,326.000 LF
0330	602.0405 Concrete Sidewalk 4-Inch	8,280.000 SF
0340	602.0415 Concrete Sidewalk 6-Inch	1,980.000 SF

SCHEDULE OF ITEMS

REVISED:

CONTRACT:
20160614020PROJECT(S):
8590-22-60FEDERAL ID(S):
N/A

CONTRACTOR : _____

LINE NO	ITEM DESCRIPTION	APPROX. QUANTITY AND UNITS	UNIT PRICE		BID AMOUNT	
			DOLLARS	CTS	DOLLARS	CTS
0350	602.0515 Curb Ramp Detectable Warning Field Natural Patina	SF 128.000
0360	606.0200 Riprap Medium	CY 25.000
0370	608.0412 Storm Sewer Pipe Reinforced Concrete Class IV 12-Inch	LF 168.000
0380	611.0600 Inlet Covers Type A	EACH 1.000
0390	611.0624 Inlet Covers Type H	EACH 2.000
0400	611.3003 Inlets 3-FT Diameter	EACH 1.000
0410	611.3230 Inlets 2x3-FT	EACH 2.000
0420	611.8110 Adjusting Manhole Covers	EACH 5.000
0430	611.8120.S Cover Plates Temporary	EACH 3.000
0440	619.1000 Mobilization	EACH 1.000
0450	625.0100 Topsoil	SY 975.000

SCHEDULE OF ITEMS

REVISED:

CONTRACT:
20160614020PROJECT(S):
8590-22-60FEDERAL ID(S):
N/A

CONTRACTOR : _____

LINE NO	ITEM DESCRIPTION	APPROX. QUANTITY AND UNITS	UNIT PRICE		BID AMOUNT	
			DOLLARS	CTS	DOLLARS	CTS
0460	625.0500 Salvaged Topsoil	1,475.000 SY	.		.	
0480	628.1504 Silt Fence	2,000.000 LF	.		.	
0490	628.1520 Silt Fence Maintenance	2,000.000 LF	.		.	
0500	628.1905 Mobilizations Erosion Control	5.000 EACH	.		.	
0510	628.1910 Mobilizations Emergency Erosion Control	5.000 EACH	.		.	
0520	628.7015 Inlet Protection Type C	6.000 EACH	.		.	
0530	628.7504 Temporary Ditch Checks	180.000 LF	.		.	
0540	628.7555 Culvert Pipe Checks	8.000 EACH	.		.	
0550	629.0205 Fertilizer Type A	2.000 CWT	.		.	
0560	630.0130 Seeding Mixture No. 30	9.000 LB	.		.	
0570	630.0140 Seeding Mixture No. 40	42.000 LB	.		.	

SCHEDULE OF ITEMS

REVISED:

CONTRACT:
20160614020PROJECT(S):
8590-22-60FEDERAL ID(S):
N/A

CONTRACTOR : _____

LINE NO	ITEM DESCRIPTION	APPROX. QUANTITY AND UNITS	UNIT PRICE		BID AMOUNT	
			DOLLARS	CTS	DOLLARS	CTS
0580	633.5200 Markers Culvert End	16.000 EACH	.		.	
0590	634.0614 Posts Wood 4x6-Inch X 14-FT	23.000 EACH	.		.	
0600	634.0616 Posts Wood 4x6-Inch X 16-FT	53.000 EACH	.		.	
0610	634.0618 Posts Wood 4x6-Inch X 18-FT	52.000 EACH	.		.	
0620	634.0620 Posts Wood 4x6-Inch X 20-FT	11.000 EACH	.		.	
0630	637.2210 Signs Type II Reflective H	531.440 SF	.		.	
0640	637.2230 Signs Type II Reflective F	535.250 SF	.		.	
0650	638.2602 Removing Signs Type II	168.000 EACH	.		.	
0660	638.3000 Removing Small Sign Supports	140.000 EACH	.		.	
0670	642.5001 Field Office Type B	1.000 EACH	.		.	
0680	643.0100 Traffic Control (project) 01. 8590-22-60	1.000 EACH	.		.	

SCHEDULE OF ITEMS

REVISED:

CONTRACT:
20160614020PROJECT(S):
8590-22-60FEDERAL ID(S):
N/A

CONTRACTOR : _____

LINE NO	ITEM DESCRIPTION	APPROX. QUANTITY AND UNITS	UNIT PRICE		BID AMOUNT	
			DOLLARS	CTS	DOLLARS	CTS
0690	643.0300 Traffic Control Drums	18,000.000 DAY
0700	643.0420 Traffic Control Barricades Type III	400.000 DAY
0710	643.0705 Traffic Control Warning Lights Type A	480.000 DAY
0720	643.0715 Traffic Control Warning Lights Type C	18,000.000 DAY
0730	643.0900 Traffic Control Signs	1,500.000 DAY
0740	643.2000 Traffic Control Detour (project) 01. 8590-22-60	1.000 EACH
0750	643.3000 Traffic Control Detour Signs	500.000 DAY
0760	645.0120 Geotextile Type HR	75.000 SY
0770	646.0106 Pavement Marking Epoxy 4-Inch	185,025.000 LF
0780	646.0406 Pavement Marking Same Day Epoxy 4-Inch	83,325.000 LF
0790	647.0566 Pavement Marking Stop Line Epoxy 18-Inch	24.000 LF

SCHEDULE OF ITEMS

REVISED:

CONTRACT:
20160614020PROJECT(S):
8590-22-60FEDERAL ID(S):
N/A

CONTRACTOR : _____

LINE NO	ITEM DESCRIPTION	APPROX. QUANTITY AND UNITS	UNIT PRICE		BID AMOUNT	
			DOLLARS	CTS	DOLLARS	CTS
0800	647.0766 Pavement Marking Crosswalk Epoxy 6-Inch	1,102.000 LF
0810	648.0100 Locating No-Passing Zones	10.000 MI
0820	649.0402 Temporary Pavement Marking Paint 4-Inch	104,130.000 LF
0830	650.4000 Construction Staking Storm Sewer	4.000 EACH
0840	650.5500 Construction Staking Curb Gutter and Curb & Gutter	2,326.000 LF
0850	650.6000 Construction Staking Pipe Culverts	5.000 EACH
0860	650.8000 Construction Staking Resurfacing Reference	52,065.000 LF
0870	650.9910 Construction Staking Supplemental Control (project) 01. 8590-22-60	LUMP	LUMP	.	.	.
0880	690.0150 Sawing Asphalt	2,790.000 LF
0890	SPV.0090 Special 01. CONCRETE CURB & GUTTER CURE AND SEAL TREATMENT	2,326.000 LF

SCHEDULE OF ITEMS

REVISED:

CONTRACT:
20160614020PROJECT(S):
8590-22-60FEDERAL ID(S):
N/A

CONTRACTOR : _____

LINE NO	ITEM DESCRIPTION	APPROX. QUANTITY AND UNITS	UNIT PRICE		BID AMOUNT	
			DOLLARS	CTS	DOLLARS	CTS
0900	SPV.0105 Special 01. PREPARE FOUNDATION FOR ASPHALTIC PAVING SPECIAL	LUMP	LUMP			.
0910	SPV.0105 Special 02. MATERIAL TRANSFER VEHICLE	LUMP	LUMP			.
0920	SPV.0165 Special 01. CONCRETE SIDEWALK CURE AND SEAL TREATMENT	10,260.000 SF		.		.
0930	SPV.0180 Special 01. CONCRETE DRIVEWAY CURE AND SEAL TREATMENT	273.000 SY		.		.
0940	SPV.0195 Special 01. ASPHALTIC SURFACE SPECIAL	3,242.000 TON		.		.
0950	SPV.0195 Special 02. HMA PAVEMENT TYPE E-3 SPECIAL	16,440.000 TON		.		.
0960	450.4000 HMA Cold Weather Paving	8,220.000 TON		.		.
0970	628.2008 Erosion Mat Urban Class I Type B	4,400.000 SY		.		.
0980	SPV.0090 Special 02. Ditch Cleaning	3,500.000 LF		.		.
	SECTION 0001 TOTAL					.
	TOTAL BID					.