



Wisconsin Department of Transportation

November 2, 2016

Division of Transportation Systems Development

Bureau of Project Development
 4802 Sheboygan Avenue, Rm 601
 P O Box 7916
 Madison, WI 53707-7916

Telephone: (608) 266-1631
 Facsimile (FAX): (608) 266-8459

NOTICE TO ALL CONTRACTORS:

Proposal #27: 9240-08-70, WISC 2016 418
Park Falls - Springstead
N Fork Flambeau Rvr Bridge B-50-0082
STH 182
Price County

9240-08-71, WISC 2016 419
Park Falls-Springstead
STH 13 - Sanders Avenue
STH 182
Price County

Letting of November 8, 2016

This is Addendum No. 01, which provides for the following:

Schedule of Items

Added Bid Item Quantities					
Bid Item	Item Description	Unit	Old Quantity	Revised Quantity	Proposal Total
460.6224	HMA Pavement 4 MT 58-28 S	TON	0	525	525
460.6424	HMA Pavement 4 MT 58-28 H	TON	0	1605	1605

Deleted Bid Item Quantities					
Bid Item	Item Description	Unit	Old Quantity	Revised Quantity	Proposal Total
460.5224	HMA Pavement 4 LT 58-28 S	TON	2130	-230	0

Plan Sheets

Revised Plan Sheets	
Plan Sheet	Plan Sheet Title (brief description of changes to sheet)
2	General Notes (third general note: removed reference to 4 LT 58-28 S pavement type)
4	Typical Sections (center left and bottom sections: changed HMA pavement type from 4 LT 58-28 S to 4 MT 58-28 H, center right section: changed HMA pavement type from 6" HMA Pavement 4 LT 58-28 S to 2" HMA Pavement 4 MT 58-28 H/4" HMA Pavement 4 MT 58-28 S)
5	Construction Details (top left and bottom left details: removed reference to 4 LT 58-28 S pavement type)
34	Miscellaneous Quantities (Asphaltic Pavement Items: removed item 460.5224 and added items 460.6224 and 460.6424)

Schedule of Items

Attached, dated November 2, 2016, are the revised Schedule of Items. All pages of the Schedule of Items are being replaced.

Plan Sheets

The following 8½ x 11-inch sheets are attached and made part of the plans for this proposal:
Revised: 2, 4, 5 and 34.

The responsibility for notifying potential subcontractors and suppliers of these changes remains with the prime contractor.

Sincerely,

Mike Coleman

Proposal Development Specialist
Proposal Management Section

END OF ADDENDUM

GENERAL NOTES

THE LOCATIONS OF EXISTING AND PROPOSED UTILITY INSTALLATIONS AS SHOWN ON THE PLANS ARE APPROXIMATE. THERE MAY BE OTHER UTILITY INSTALLATIONS WITHIN THE AREA THAT ARE NOT SHOWN.

NO TREES OR SHRUBS ARE TO BE REMOVED WITHOUT APPROVAL OF THE ENGINEER.

THE 6" HMA PAVEMENT SECTION SHALL BE PLACED IN 3 2-INCH LIFTS.

DO NOT OPERATE AND/OR STORE MATERIALS WITHIN CITY PARKLANDS AND/OR IN WETLANDS OUTSIDE OF THE SHOWN SLOPE INTERCEPTS. CITY PARKLANDS INCLUDE ALL AREAS LABELED AS CITY OF PARK FALLS PROPERTY LOCATED IMMEDIATELY SOUTHEAST OF THE BRIDGE ON 5TH 182.

WHEN THE QUANTITY OF THE ITEM OF BASE AGGREGATE DENSE OR HMA IS MEASURED FOR PAYMENT BY THE TON, THE DEPTH OR THICKNESS OF THE LAYER SHOWN ON THE PLANS IS APPROXIMATE AND THE ACTUAL THICKNESS WILL DEPEND ON THE DISTRIBUTION OF THE MATERIAL AS DIRECTED BY THE ENGINEER.

THE WISCONSIN DEPARTMENT OF TRANSPORTATION WILL FURNISH THE CONTRACTOR A MONUMENT WHICH SHALL BE SET IN THE STRUCTURE AS DESIGNATED BY THE ENGINEER.

SECTION 2 SHEET ORDER

- SECTION NOTES
- PROJECT OVERVIEW
- TYPICAL SECTIONS
- CONSTRUCTION DETAILS
- CONTROL
- STORM SEWER
- STREET LIGHTING
- PERMANENT SIGNING
- PERMANENT MARKING
- DETOUR
- CONTROL POINT DATA
- TEMPORARY PEDESTRIAN ACCESS

UTILITIES

- Communication Line: CenturyLink
Bryan Huhn
425 Ellingwood Ave
P.O. Box 108
Phillips, WI 54555
(715) 532-0023
brian.huhn@centurylink.com
- Communication Line: Charter Communications
Bryan Huhn
821 Lincoln Street
Phillips, WI 54555
(715) 490-1795
mark.kolej@chicakecharter.com
- Communication Line: Telephone Company
Brad Kuhner
P.O. Box 108
Phillips, WI 54555
kuhnerb@tccnet.net
- Electric: Xcel Energy
Andy Holopka
1001 Stephenson St
Phillips, WI 54555
(715) 737-1183
andrew.a.holopka@xcelenergy.com
- Electric: Renewable World Energies
1001 Stephenson St
Norway, WI 49870
(906) 563-5265 Ext. 226
smanis@renewableworld.com
- Electric: River Papers
Bill Hilgort
200 1st Avenue North
Park Falls, WI 54552-1260
(715) 767-8389
bhilgort@hambournerpapers.com
- Gas/Petroleum: Xcel Energy
Andy Holopka
1001 Stephenson St
Phillips, WI 54555
(715) 737-1183
andrew.a.holopka@xcelenergy.com
- Electric: Transmission: Xcel Energy
414 Nicollet Mall - MP8
Minneapolis, MN 55401
(612) 330-7815
bruce.munz@xcelenergy.com

UTILITIES

- City of Park Falls
Scott Hilgort
400 4th Ave S
Park Falls, WI 54552-1121
(715) 492-0564
pfdbw@tccnet.net
- Sanitary Sewer: City of Park Falls
400 4th Ave S
Park Falls, WI 54552-1121
(715) 492-0564
pfdbw@tccnet.net

DNR LIAISON
DEPARTMENT OF NATURAL RESOURCES
ATTN: SHAWN HASELEU
810 W. MAPLE STREET
P.O. BOX 101
PHILLIPS, WI 54555
(715) 635-4228
shawn.haseleu@wisconsin.gov

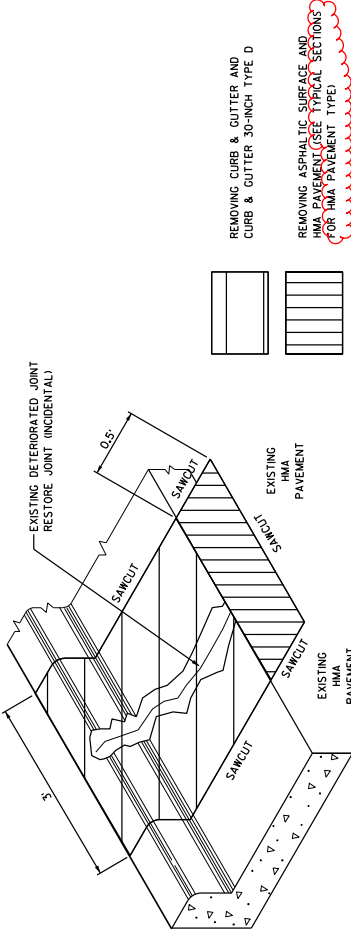


Dial 311 or (800) 242-8511
www.DiggersHotline.com

Addendum No. 01
ID 9240-08-70/71
Revised Sheet 2
November 2, 2016

RIMOFF COEFFICIENT TABLE			
HYDROLOGIC SOIL TABLE			
A	B	C	D
SLOPE RANGE %	SLOPE RANGE %	SLOPE RANGE %	SLOPE RANGE %
6 & OVER	6 & OVER	6 & OVER	6 & OVER
-.25	-.27	-.28	-.30
TURF	.34	.36	.38
PAYEMENT:			
ASPHALT	.70 - .95		
CONCRETE	.80 - .95		
GRAVEL ROADS, SHOULDERS	.40 - .60		

THE RIMOFF COEFFICIENTS OF SURFACE DRAINAGE AS THE PROJECT SITES WILL NOT BE CHANGED FROM BEFORE TO AFTER CONSTRUCTION. THE TOTAL AREA OF THESE PROJECT SITES IS 5.00 ACRES. THE TOTAL AREA EXPECTED TO BE DISTURBED BY CONSTRUCTION ACTIVITIES IS 3.22 ACRES.



REMOVING CURB & GUTTER AND CURB & GUTTER 3D-INCH TYPE D

REMOVING ASPHALTIC SURFACE AND EXISTING PAVEMENT TYPICAL SECTIONS FOR HMA PAVEMENT TYPE

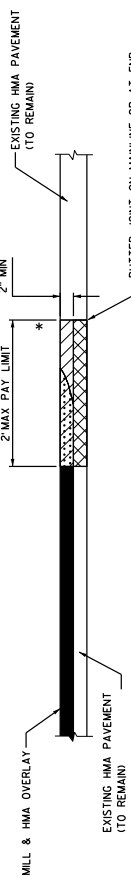
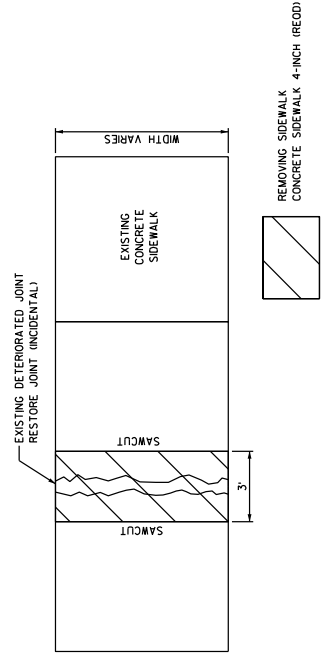
CONCRETE CURB AND GUTTER JOINT REPAIR DETAIL

LOCATIONS TO BE DETERMINED BY THE ENGINEER IN THE FIELD

Addendum No. 01
ID 9240-08-70/71
Revised Sheet 5
November 2, 2016

CONCRETE SIDEWALK JOINT REPAIR DETAIL

STA 38+39.17 TO STA 40+46.17

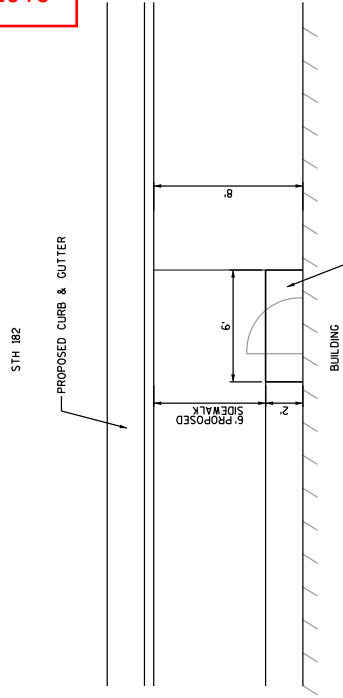


KEY

- ASPHALT WEDGING (FULL DEPTH REMOVAL OPTION)
- REMOVING ASPHALTIC SURFACE, BUTT JOINTS (FULL DEPTH REMOVAL OPTIONAL) DO NOT REMOVE MATERIAL UNDER THIS ITEM UNTIL 24 HOURS BEFORE PAVING
- REMOVING ASPHALTIC SURFACE MILLING
- * SAWCUT REOD

BUTT JOINT DETAIL ON MAINLINE AT INTERSECTIONS & PAVED DRIVEWAYS

NOTES:
FOR MAINLINE AND SIDE ROADS USE 2-INCH HMA PAVEMENT (SEE TYPICAL SECTIONS FOR HMA PAVEMENT TYPE)
FOR PAVED DRIVEWAYS USE 2-INCH ASPHALTIC SURFACE DRIVEWAYS AND FIELD ENTRANCES
AT DRIVEWAYS WITH CURB & GUTTER RETURNS, REMOVE ASPHALTIC SURFACE AND REPLACE IN KIND WITH ASPHALTIC SURFACE DRIVEWAYS & FIELD ENTRANCES.



CONCRETE STEP DETAIL

STA 30+55.87
* CONCRETE STEP HEIGHT SHALL BE NO MORE THAN 8 INCHES AND NO LESS THAN 6 INCHES

Addendum No. 01
ID 9240-08-70/71
Revised Sheet 34
November 2, 2016

CONCRETE DRIVEWAY

CATEGORY	PROJECT	STATION	LOCATION	SY
0010	9240-08-70	31+00	DRIVEWAY LT	48
9240-08-70 TOTAL:				
PROJECT TOTAL:				
48				

ASPHALTIC PAVEMENT ITEMS

CATEGORY	PROJECT	STATION	LOCATION	TON
0010	9240-08-70	28+74	3-FT SPOT REPAIRS	100
0010	9240-08-70	32+11	3-FT SPOT REPAIRS	275
0010	9240-08-70	32+26	CURB RAMP IMPROVEMENTS	140
0010	9240-08-70	32+13	CURB RAMP IMPROVEMENTS	215
0010	9240-08-70	35+07	CURB RAMP IMPROVEMENTS	254
0010	9240-08-70	35+22	CURB RAMP IMPROVEMENTS	237
9240-08-70 TOTAL:				
1168				
PROJECT TOTAL:				
1168				

(1) - TACK COAT APPLICATION RATE: 0.05 GAU/SY, EXCEPT ON MILLED SURFACES AT RATE 0.07 GAU/SY.

APRON ENDWALL ITEMS

CATEGORY	PROJECT	STATION	LOCATION	EACH
0010	9240-08-70	28+74	APRON ENDWALLS FOR CULVERT PIPE	1
0010	9240-08-70	32+11	APRON ENDWALLS FOR CULVERT PIPE	1
0010	9240-08-70	32+26	APRON ENDWALLS FOR CULVERT PIPE	1
0010	9240-08-70	32+13	APRON ENDWALLS FOR CULVERT PIPE	1
0010	9240-08-70	35+07	APRON ENDWALLS FOR CULVERT PIPE	1
0010	9240-08-70	35+22	APRON ENDWALLS FOR CULVERT PIPE	1
9240-08-70 TOTALS:				
6				
PROJECT TOTALS:				
6				

CONCRETE CURB & GUTTER ITEMS

CATEGORY	PROJECT	STATION	LOCATION	LF
0010	9240-08-70	28+74	CONCRETE CURB & GUTTER 30-INCH TYPE A	30
0010	9240-08-70	32+11	CONCRETE CURB & GUTTER 30-INCH TYPE A	30
0010	9240-08-70	32+26	CONCRETE CURB & GUTTER 30-INCH TYPE D	337
0010	9240-08-70	32+13	CONCRETE CURB & GUTTER 30-INCH TYPE D	340
0010	9240-08-70	35+07	CONCRETE CURB & GUTTER 30-INCH TYPE D	254
0010	9240-08-70	35+22	CONCRETE CURB & GUTTER 30-INCH TYPE D	237
9240-08-70 TOTAL:				
1168				
PROJECT TOTAL:				
1168				

CONCRETE SIDEWALK ITEMS

CATEGORY	PROJECT	STATION	LOCATION	SF
0010	9240-08-70	28+74	CONCRETE SIDEWALK 4-INCH	1910
0010	9240-08-70	32+11	CONCRETE SIDEWALK 4-INCH	435
0010	9240-08-70	32+26	CONCRETE SIDEWALK 4-INCH	1605
0010	9240-08-70	32+13	CONCRETE SIDEWALK 4-INCH	1605
0010	9240-08-70	35+07	CONCRETE SIDEWALK 4-INCH	1605
0010	9240-08-70	35+22	CONCRETE SIDEWALK 4-INCH	1605
9240-08-70 TOTALS:				
602.0405				
PROJECT TOTALS:				
602.0405				



Proposal Schedule of Items

Proposal ID: 20161108027

Project(s): 9240-08-70, 9240-08-71

SECTION: 0001 Contract Items

Alt Set ID: Alt Mbr ID:

Proposal Line Number	Item ID Description	Approximate Quantity and Units	Unit Price	Bid Amount
0010	201.0110 Clearing	615.000 SY	_____.	_____.
0020	201.0210 Grubbing	615.000 SY	_____.	_____.
0030	203.0700.S Removing Old Structure Over Waterway With Debris Capture System (station) 01. Station 33+55, 7' LT	LS	LUMP SUM	_____.
0040	204.0110 Removing Asphaltic Surface	135.000 SY	_____.	_____.
0050	204.0115 Removing Asphaltic Surface Butt Joints	185.000 SY	_____.	_____.
0060	204.0120 Removing Asphaltic Surface Milling	11,645.000 SY	_____.	_____.
0070	204.0150 Removing Curb & Gutter	1,920.000 LF	_____.	_____.
0080	204.0155 Removing Concrete Sidewalk	825.000 SY	_____.	_____.
0090	204.0195 Removing Concrete Bases	1.000 EACH	_____.	_____.
0100	204.0220 Removing Inlets	5.000 EACH	_____.	_____.
0110	204.0245 Removing Storm Sewer (size) 01. 12-Inch	64.000 LF	_____.	_____.
0120	204.0245 Removing Storm Sewer (size) 02. 18-Inch	21.000 LF	_____.	_____.
0130	204.0245 Removing Storm Sewer (size) 03. 29 X 45-Inch Horizontal Elliptical	92.000 LF	_____.	_____.
0140	205.0100 Excavation Common	1,948.000 CY	_____.	_____.
0150	206.1000 Excavation for Structures Bridges (structure) 01. B-50-0082	LS	LUMP SUM	_____.



Proposal Schedule of Items

Proposal ID: 20161108027

Project(s): 9240-08-70, 9240-08-71

SECTION: 0001 Contract Items

Alt Set ID: Alt Mbr ID:

Proposal Line Number	Item ID Description	Approximate Quantity and Units	Unit Price	Bid Amount
0160	209.0200.S Backfill Controlled Low Strength	140.000 CY	_____.	_____.
0170	209.1100 Backfill Granular Grade 1	175.000 CY	_____.	_____.
0180	210.1500 Backfill Structure Type A	275.000 TON	_____.	_____.
0190	213.0100 Finishing Roadway (project) 01. 9240-08-70	1.000 EACH	_____.	_____.
0200	213.0100 Finishing Roadway (project) 02. 9240-08-71	1.000 EACH	_____.	_____.
0210	305.0120 Base Aggregate Dense 1 1/4-Inch	2,100.000 TON	_____.	_____.
0220	415.0080 Concrete Pavement 8-Inch	6.000 SY	_____.	_____.
0230	415.0410 Concrete Pavement Approach Slab	124.000 SY	_____.	_____.
0240	416.0160 Concrete Driveway 6-Inch	48.000 SY	_____.	_____.
0250	440.4410 Incentive IRI Ride	2,688.000 DOL	1.00000	2,688.00
0260	450.4000 HMA Cold Weather Paving	2,130.000 TON	_____.	_____.
0270	455.0605 Tack Coat	1,050.000 GAL	_____.	_____.
0280	460.2000 Incentive Density HMA Pavement	1,364.000 DOL	1.00000	1,364.00
0300	465.0120 Asphaltic Surface Driveways and Field Entrances	5.000 TON	_____.	_____.
0310	502.0100 Concrete Masonry Bridges	722.000 CY	_____.	_____.
0320	502.3200 Protective Surface Treatment	1,670.000 SY	_____.	_____.



Proposal Schedule of Items

Proposal ID: 20161108027

Project(s): 9240-08-70, 9240-08-71

SECTION: 0001 Contract Items

Alt Set ID:

Alt Mbr ID:

Proposal Line Number	Item ID Description	Approximate Quantity and Units	Unit Price	Bid Amount
0330	503.0146 Prestressed Girder Type I 45W-Inch	1,395.000 LF	_____.	_____.
0340	505.0400 Bar Steel Reinforcement HS Structures	28,625.000 LB	_____.	_____.
0350	505.0600 Bar Steel Reinforcement HS Coated Structures	109,730.000 LB	_____.	_____.
0360	506.2605 Bearing Pads Elastomeric Non-Laminated	30.000 EACH	_____.	_____.
0370	506.4000 Steel Diaphragms (structure) 01. B-50-0082	24.000 EACH	_____.	_____.
0380	511.1200 Temporary Shoring (structure) 01. B-50-0082	200.000 SF	_____.	_____.
0390	513.7016 Railing Steel Type C3 (structure) 01. B-50-0082	610.000 LF	_____.	_____.
0400	516.0500 Rubberized Membrane Waterproofing	26.000 SY	_____.	_____.
0410	517.1015.S Concrete Staining Multi-Color (structure) 01. B-50-0082	2,580.000 SF	_____.	_____.
0420	517.1050.S Architectural Surface Treatment (structure) 01. B-50-0082	1,380.000 SF	_____.	_____.
0430	517.1050.S Architectural Surface Treatment (structure) 02. Traffic Face B-50-0082	1,200.000 SF	_____.	_____.
0440	522.1018 Apron Endwalls for Culvert Pipe Reinforced Concrete 18-Inch	1.000 EACH	_____.	_____.
0450	523.0529 Apron Endwalls for Culvert Pipe Reinforced Concrete Horizontal Elliptical 29x45-Inch	1.000 EACH	_____.	_____.
0460	550.0020 Pre-Boring Rock or Consolidated Materials	329.000 LF	_____.	_____.



Proposal Schedule of Items

Proposal ID: 20161108027

Project(s): 9240-08-70, 9240-08-71

SECTION: 0001 Contract Items

Alt Set ID: Alt Mbr ID:

Proposal Line Number	Item ID Description	Approximate Quantity and Units	Unit Price	Bid Amount
0470	550.1125 Piling Steel HP 12-Inch X 74 Lb	355.000 LF	_____	_____
0480	601.0409 Concrete Curb & Gutter 30-Inch Type A	30.000 LF	_____	_____
0490	601.0411 Concrete Curb & Gutter 30-Inch Type D	1,898.000 LF	_____	_____
0500	602.0405 Concrete Sidewalk 4-Inch	6,570.000 SF	_____	_____
0510	602.0505 Curb Ramp Detectable Warning Field Yellow	260.000 SF	_____	_____
0520	602.1500 Concrete Steps	40.000 SF	_____	_____
0530	606.0300 Riprap Heavy	180.000 CY	_____	_____
0540	606.0700 Grouted Riprap Heavy	15.000 CY	_____	_____
0550	608.0312 Storm Sewer Pipe Reinforced Concrete Class III 12-Inch	57.000 LF	_____	_____
0560	608.0318 Storm Sewer Pipe Reinforced Concrete Class III 18-Inch	56.000 LF	_____	_____
0570	610.0129 Storm Sewer Pipe Reinforced Concrete Horizontal Elliptical Class HE-III 29x45-Inch	92.000 LF	_____	_____
0580	611.0530 Manhole Covers Type J	1.000 EACH	_____	_____
0590	611.0639 Inlet Covers Type H-S	6.000 EACH	_____	_____
0600	611.1230 Catch Basins 2x3-FT	6.000 EACH	_____	_____
0610	611.2006 Manholes 6-FT Diameter	1.000 EACH	_____	_____
0620	611.8110 Adjusting Manhole Covers	4.000 EACH	_____	_____



Proposal Schedule of Items

Proposal ID: 20161108027

Project(s): 9240-08-70, 9240-08-71

SECTION: 0001 Contract Items

Alt Set ID: Alt Mbr ID:

Proposal Line Number	Item ID Description	Approximate Quantity and Units	Unit Price	Bid Amount
0630	611.8115 Adjusting Inlet Covers	2.000 EACH	_____.	_____.
0640	611.8120.S Cover Plates Temporary	6.000 EACH	_____.	_____.
0650	612.0406 Pipe Underdrain Wrapped 6-Inch	230.000 LF	_____.	_____.
0660	616.0700.S Fence Safety	200.000 LF	_____.	_____.
0670	619.1000 Mobilization	1.000 EACH	_____.	_____.
0680	621.0100 Landmark Reference Monuments	12.000 EACH	_____.	_____.
0690	624.0100 Water	40.000 MGAL	_____.	_____.
0700	625.0100 Topsoil	940.000 SY	_____.	_____.
0710	627.0200 Mulching	70.000 SY	_____.	_____.
0720	628.1504 Silt Fence	765.000 LF	_____.	_____.
0730	628.1520 Silt Fence Maintenance	1,530.000 LF	_____.	_____.
0740	628.1550 Silt Screen	90.000 LF	_____.	_____.
0750	628.1905 Mobilizations Erosion Control	5.000 EACH	_____.	_____.
0760	628.1910 Mobilizations Emergency Erosion Control	6.000 EACH	_____.	_____.
0770	628.2008 Erosion Mat Urban Class I Type B	930.000 SY	_____.	_____.
0780	628.6005 Turbidity Barriers	680.000 SY	_____.	_____.
0790	628.7005 Inlet Protection Type A	8.000 EACH	_____.	_____.



Proposal Schedule of Items

Proposal ID: 20161108027

Project(s): 9240-08-70, 9240-08-71

SECTION: 0001

Contract Items

Alt Set ID:

Alt Mbr ID:

Proposal Line Number	Item ID Description	Approximate Quantity and Units	Unit Price	Bid Amount
0800	628.7010 Inlet Protection Type B	2.000 EACH	_____.	_____.
0810	628.7015 Inlet Protection Type C	48.000 EACH	_____.	_____.
0820	628.7570 Rock Bags	25.000 EACH	_____.	_____.
0830	629.0210 Fertilizer Type B	3.200 CWT	_____.	_____.
0840	630.0120 Seeding Mixture No. 20	55.000 LB	_____.	_____.
0850	630.0140 Seeding Mixture No. 40	35.000 LB	_____.	_____.
0860	631.0300 Sod Water	22.000 MGAL	_____.	_____.
0870	634.0614 Posts Wood 4x6-Inch X 14-FT	31.000 EACH	_____.	_____.
0880	637.2210 Signs Type II Reflective H	172.840 SF	_____.	_____.
0890	637.2230 Signs Type II Reflective F	31.660 SF	_____.	_____.
0900	638.2602 Removing Signs Type II	31.000 EACH	_____.	_____.
0910	638.3000 Removing Small Sign Supports	21.000 EACH	_____.	_____.
0920	642.5001 Field Office Type B	1.000 EACH	_____.	_____.
0930	643.0100 Traffic Control (project) 01. 9240-08-70	1.000 EACH	_____.	_____.
0940	643.0100 Traffic Control (project) 02. 9240-08-71	1.000 EACH	_____.	_____.
0950	643.0300 Traffic Control Drums	9,660.000 DAY	_____.	_____.
0960	643.0420 Traffic Control Barricades Type III	3,036.000 DAY	_____.	_____.



Proposal Schedule of Items

Proposal ID: 20161108027

Project(s): 9240-08-70, 9240-08-71

SECTION: 0001 Contract Items

Alt Set ID:

Alt Mbr ID:

Proposal Line Number	Item ID Description	Approximate Quantity and Units	Unit Price	Bid Amount
0970	643.0705 Traffic Control Warning Lights Type A	3,036.000 DAY	_____.	_____.
0980	643.0900 Traffic Control Signs	4,692.000 DAY	_____.	_____.
0990	643.0920 Traffic Control Covering Signs Type II	9.000 EACH	_____.	_____.
1000	643.1000 Traffic Control Signs Fixed Message	224.000 SF	_____.	_____.
1010	643.1050 Traffic Control Signs PCMS	28.000 DAY	_____.	_____.
1020	643.2000 Traffic Control Detour (project) 01. 9240-08-70	1.000 EACH	_____.	_____.
1030	643.3000 Traffic Control Detour Signs	22,770.000 DAY	_____.	_____.
1040	644.1410.S Temporary Pedestrian Surface Asphalt	75.000 SF	_____.	_____.
1050	644.1420.S Temporary Pedestrian Surface Plywood	150.000 SF	_____.	_____.
1060	644.1430.S Temporary Pedestrian Surface Plate	150.000 SF	_____.	_____.
1070	644.1601.S Temporary Curb Ramp	6.000 EACH	_____.	_____.
1080	644.1616.S Temporary Pedestrian Safety Fence	720.000 LF	_____.	_____.
1090	645.0111 Geotextile Type DF Schedule A	8.000 SY	_____.	_____.
1100	645.0120 Geotextile Type HR	390.000 SY	_____.	_____.
1110	646.0106 Pavement Marking Epoxy 4-Inch	10,230.000 LF	_____.	_____.
1120	646.0126 Pavement Marking Epoxy 8-Inch	65.000 LF	_____.	_____.
1130	647.0110 Pavement Marking Railroad Crossings Epoxy	2.000 EACH	_____.	_____.



Proposal Schedule of Items

Proposal ID: 20161108027

Project(s): 9240-08-70, 9240-08-71

SECTION: 0001 Contract Items

Alt Set ID:

Alt Mbr ID:

Proposal Line Number	Item ID Description	Approximate Quantity and Units	Unit Price	Bid Amount
1140	647.0166 Pavement Marking Arrows Epoxy Type 2	1.000 EACH	_____	_____
1150	647.0656 Pavement Marking Parking Stall Epoxy	130.000 LF	_____	_____
1160	647.0766 Pavement Marking Crosswalk Epoxy 6-Inch	1,345.000 LF	_____	_____
1170	650.4000 Construction Staking Storm Sewer	7.000 EACH	_____	_____
1180	650.4500 Construction Staking Subgrade	620.000 LF	_____	_____
1190	650.5000 Construction Staking Base	620.000 LF	_____	_____
1200	650.5500 Construction Staking Curb Gutter and Curb & Gutter	1,198.000 LF	_____	_____
1210	650.8000 Construction Staking Resurfacing Reference	2,552.000 LF	_____	_____
1220	650.8500 Construction Staking Electrical Installations (project) 01. 9240-08-70	LS	LUMP SUM	_____
1230	650.9910 Construction Staking Supplemental Control (project) 01. 9240-08-70	LS	LUMP SUM	_____
1240	650.9910 Construction Staking Supplemental Control (project) 02. 9240-08-71	LS	LUMP SUM	_____
1250	650.9920 Construction Staking Slope Stakes	620.000 LF	_____	_____
1260	652.0125 Conduit Rigid Metallic 2-Inch	48.000 LF	_____	_____
1270	652.0225 Conduit Rigid Nonmetallic Schedule 40 2-Inch	1,523.000 LF	_____	_____
1280	652.0325 Conduit Rigid Nonmetallic Schedule 80 2-Inch	52.000 LF	_____	_____



Proposal Schedule of Items

Proposal ID: 20161108027

Project(s): 9240-08-70, 9240-08-71

SECTION: 0001 Contract Items

Alt Set ID: Alt Mbr ID:

Proposal Line Number	Item ID Description	Approximate Quantity and Units	Unit Price	Bid Amount
1290	652.0700.S Install Conduit into Existing Item	1.000 EACH	_____	_____
1300	653.0140 Pull Boxes Steel 24x42-Inch	3.000 EACH	_____	_____
1310	653.0222 Junction Boxes 18x12x6-Inch	4.000 EACH	_____	_____
1320	654.0105 Concrete Bases Type 5	2.000 EACH	_____	_____
1330	655.0610 Electrical Wire Lighting 12 AWG	4,140.000 LF	_____	_____
1340	655.0615 Electrical Wire Lighting 10 AWG	2,634.000 LF	_____	_____
1350	657.0255 Transformer Bases Breakaway 11 1/2-Inch Bolt Circle	2.000 EACH	_____	_____
1360	657.0322 Poles Type 5-Aluminum	4.000 EACH	_____	_____
1370	657.0610 Luminaire Arms Single Member 4 1/2-Inch Clamp 6-FT	4.000 EACH	_____	_____
1380	657.6005.S Anchor Assemblies Light Poles on Structures	2.000 EACH	_____	_____
1390	659.1115 Luminaires Utility LED A	4.000 EACH	_____	_____
1400	690.0150 Sawing Asphalt	1,854.000 LF	_____	_____
1410	690.0250 Sawing Concrete	1,508.000 LF	_____	_____
1420	999.1500.S Crack and Damage Survey	LS	LUMP SUM	_____
1430	ASP.1T0A On-the-Job Training Apprentice at \$5.00/HR	2,000.000 HRS	5.00000	10,000.00
1440	ASP.1T0G On-the-Job Training Graduate at \$5.00/HR	1,260.000 HRS	5.00000	6,300.00



Proposal Schedule of Items

Proposal ID: 20161108027

Project(s): 9240-08-70, 9240-08-71

SECTION: 0001 Contract Items

Alt Set ID: Alt Mbr ID:

Proposal Line Number	Item ID Description	Approximate Quantity and Units	Unit Price	Bid Amount
1450	SPV.0030 Special 01. Fertilizer for Lawn Type Turf	0.600 CWT	_____.	_____.
1460	SPV.0060 Special 01. Adjusting Water Valve Boxes	2.000 EACH	_____.	_____.
1470	SPV.0060 Special 02. Utility Line Opening (ULO)	4.000 EACH	_____.	_____.
1480	SPV.0060 Special 03. Removal and Salvage of Light Pole Assemblies	12.000 EACH	_____.	_____.
1490	SPV.0060 Special 04. Lighting Assemblies Decorative	7.000 EACH	_____.	_____.
1500	SPV.0060 Special 05. Remove Flashing Beacon	2.000 EACH	_____.	_____.
1510	SPV.0060 Special 06. Moving Bike Rack	1.000 EACH	_____.	_____.
1520	SPV.0060 Special 07. Tree Trimming	5.000 EACH	_____.	_____.
1530	SPV.0090 Special 01. Drilled Shaft Foundation 36-Inch **P**	183.000 LF	_____.	_____.
1540	SPV.0090 Special 02. Railing Pedestrian Steel	11.000 LF	_____.	_____.
1550	SPV.0090 Special 03. Preparing Trail for Surfacing	450.000 LF	_____.	_____.
1560	SPV.0090 Special 04. Move Precast Concrete Barrier	120.000 LF	_____.	_____.
1570	SPV.0090 Special 05. Remove Railing	40.000 LF	_____.	_____.
1580	SPV.0105 Special 01. Remove and Repaint Railing, R-50-3	LS	LUMP SUM	_____.
1590	SPV.0105 Special 02. Removal of Conduit and Wire	LS	LUMP SUM	_____.



Proposal Schedule of Items

Proposal ID: 20161108027

Project(s): 9240-08-70, 9240-08-71

SECTION: 0001 Contract Items

Alt Set ID: Alt Mbr ID:

Proposal Line Number	Item ID Description	Approximate Quantity and Units	Unit Price	Bid Amount
1600	SPV.0105 Special 03. Seismograph/Vibration Monitoring	LS	LUMP SUM	_____.
1610	SPV.0105 Special 04. Utility Line Opening (ULO) Water Main at Bridge	LS	LUMP SUM	_____.
1620	SPV.0165 Special 01. Cut-Stone Boulders	72.000 SF	_____.	_____.
1630	SPV.0165 Special 02. Coarse Aggregate Stone Mulch	70.000 SF	_____.	_____.
1640	SPV.0180 Special 01. Trail Surfacing	1,100.000 SY	_____.	_____.
1650	SPV.0180 Special 02. Preparing Topsoil for Lawn Type Turf	420.000 SY	_____.	_____.
1660	SPV.0195 Special 01. Exc. Haul, and Disposal of Contam Sed & Dewtrng of Contam Set	170.000 TON	_____.	_____.
1670	460.6224 HMA Pavement 4 MT 58-28 S	525.000 TON	_____.	_____.
1680	460.6424 HMA Pavement 4 MT 58-28 H	1,605.000 TON	_____.	_____.
Section: 0001			Total:	_____.
			Total Bid:	_____.

