



Wisconsin Department of Transportation

December 12, 2016

Division of Transportation Systems Development

Bureau of Project Development
4802 Sheboygan Avenue, Rm 601
P O Box 7916
Madison, WI 53707-7916

NOTICE TO ALL CONTRACTORS:

Telephone: (608) 266-1631
Facsimile (FAX): (608) 266-8459

Proposal #18: 1224-21-73, WISC 2016 477
Sheboygan - Manitowoc
Point Creek Road – Clover Road
IH 43
Manitowoc County

Letting of December 13, 2016

This is Addendum No. 02, which provides for the following:

Schedule of Items

Revised Bid Item Quantities					
Bid Item	Item Description	Unit	Old Quantity	Revised Quantity	Proposal Total
210.1500	Backfill Structure Type A	Ton	1020	-290	730
502.0100	Concrete Masonry Bridges	CY	1,156	36	1,192

Plan Sheets

Revised Plan Sheets	
Plan Sheet	Plan Sheet Title (brief description of changes to sheet)
378	Cross Section and Quantities (Structure B-36-231): Revised Concrete Masonry Bridges and Backfill Structure Type A quantities

Schedule of Items

Attached, dated December 12, 2016, are the revised Schedule of Items Pages 2 and 4.

Plan Sheets

The following 8½ x 11-inch sheets are attached and made part of the plans for this proposal:
Revised: 378

The responsibility for notifying potential subcontractors and suppliers of these changes remains with the prime contractor.

Sincerely,

Mike Coleman

Proposal Development Specialist
Proposal Management Section

END OF ADDENDUM

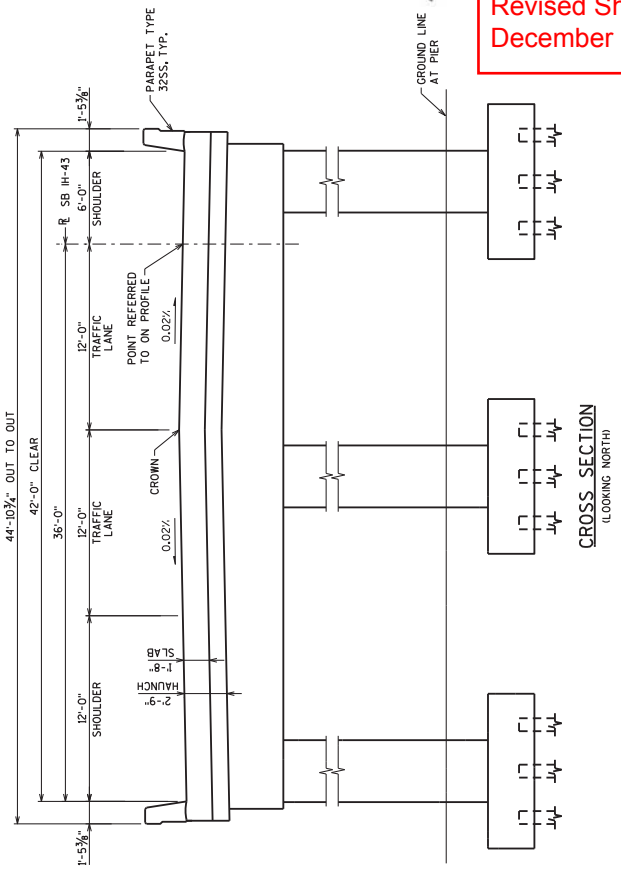
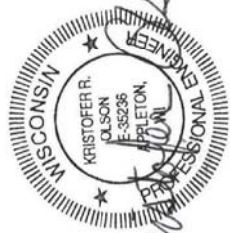
STATE PROJECT NUMBER
1224-21-73

GENERAL NOTES:

- DRAWING SHALL NOT BE SCALED.
- BAR STEEL REINFORCEMENT SHALL BE EMBEDDED 2" CLEAR UNLESS OTHERWISE SHOWN OR NOTED.
- BEVEL EXPOSED EDGES OF CONCRETE 3/4" UNLESS OTHERWISE NOTED.
- SLAB FALSEWORK SHALL BE SUPPORTED ON PILES OR THE SUBSTRUCTURE UNLESS AN ALTERNATE METHOD IS APPROVED BY THE ENGINEER.
- THE FIRST OR FIRST TWO DIGITS OF THE BAR MARK SIGNIFIES THE BAR SIZE.
- AT ABUTMENTS ALL SPACES EXCAVATED AND NOT OCCUPIED BY THE NEW STRUCTURE SHALL BE BACKFILLED WITH "BACKFILL STRUCTURE TYPE A".
- THE EXISTING GROUND LINE SHALL BE THE UPPER LIMITS OF EXCAVATION FOR STRUCTURES.
- EXISTING BRIDGE B-36-49 IS A THREE SPAN HAUNCHED CONCRETE SLAB WITH AN OVERALL WIDTH OF 43'-0" AND AN OVERALL LENGTH OF 104'-10 1/2".
- THE SLOPE OF THE FILL IN FRONT OF THE ABUTMENTS SHALL BE COVERED WITH SELECT CRUSHED MATERIAL TO THE EXTENT SHOWN ON SHEET 1 AND IN THE ABUTMENT DETAILS.
- PROTECTIVE SURFACE TREATMENT SHALL BE APPLIED TO THE FOLLOWING COMPLETED SURFACES: TOP OF SLAB, PAVING NOTCH, TOPS OF APPROACH APRONS, PIGMENTED PROTECTIVE SURFACE TREATMENT SHALL BE APPLIED TO THE ENTIRE FRONT FACES AND TOPS OF BOTH DECK & APPROACH PARAPETS.
- ALL STATIONS AND ELEVATIONS ARE IN FEET. ELEVATIONS ARE REFERENCED TO THE NORTH AMERICAN VERTICAL DATUM OF 1988 (NAVD88).

THE QUANTITY FOR BACKFILL STRUCTURE TYPE A, BID ITEM 210-1500, IS CALCULATED BASED ON STANDARD DRAWING 9.01 IN THE WISCONSIN DEPARTMENT OF TRANSPORTATION MANUAL.

William C. Decker
SRP
12/12/16

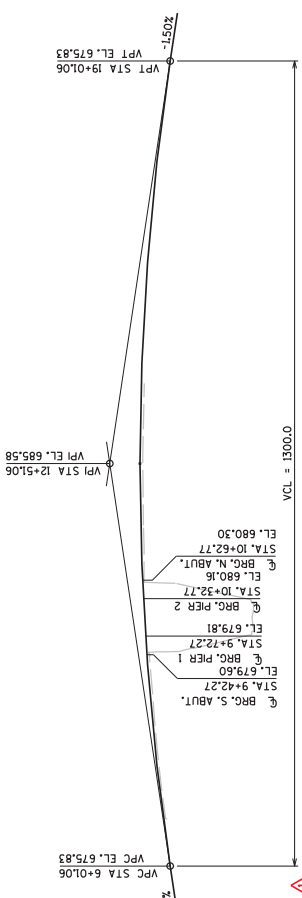


BENCH MARKS

NO.	STATION	DESCRIPTION	ELEV.
1	9+65	BENCH MARK CAP TOP OF S.E. WING STRUL B-36-41	681.91
2	10+55	BENCH MARK CAP TOP OF N.W. WING STRUL B-36-49	682.59

TOTAL ESTIMATED QUANTITIES

ITEM NO.	BID ITEMS	UNIT	SUPER.	SOUTH ABUT.	NORTH ABUT.	PIER 1	PIER 2	S. APRCH. APRON	N. APRCH. APRON	TOTALS
203.0200	REMOVING OLD STRUCTURE STA. 10+02	LS	---	---	---	---	---	---	---	1
206.1000	EXCAVATION FOR STRUCTURES BRIDGES B-36-231	LS	---	---	---	---	---	---	---	10,430
210.1500	BACKFILL STRUCTURE TYPE A	TON	---	95	65	15	15	150	150	130,300
305.0120	BASE AGGREGATE DENSE 11/4-INCH	TON	---	4	12	9	9	150	150	300
502.0100	CONCRETE MASONRY BRIDGES	CY	---	15	12	9	9	50	50	183
502.3200	PROTECTIVE SURFACE TREATMENT	SY	---	95	95	95	95	95	95	780
505.0600	PIGMENTED SURFACE SEALER	SY	---	---	---	---	---	---	---	130
505.0400	BAR STEEL REINFORCEMENT HS STRUCTURES	LB	---	2930	2920	2290	2290	10310	10310	130,300
505.0800.S	BAR STEEL REINFORCEMENT HS STAINLESS STRUCTURES	LB	---	---	---	---	---	207	207	414
515.0300	RUBBERIZED MEMBRANE WATERPROOFING	SY	---	10	10	---	---	---	---	20
550.2104	PILING CIP CONCRETE 10 3/4 X 0.25-INCH	LF	---	525	525	2250	2250	---	---	5,550
612.0406	PIPE UNDERDRAIN WRAPPED 6-INCH	LF	---	139	139	---	---	---	---	278
614.0150	ANCHOR ASSEMBLIES FOR STEEL PLATE BEAM GUARD	EACH	---	70	70	---	---	50	50	240
	NON-BID ITEMS	SIZE	---	---	---	---	---	---	---	4
	FILLER	SIZE	---	---	---	---	---	---	---	1/2" & 3/4"



PROFILE GRADE LINE - SOUTHBOUND IH 43

NO.	DATE	REVISION	BY
1	12/9/16	QUANTITY CHANGES	KRO

STATE OF WISCONSIN
DEPARTMENT OF TRANSPORTATION

STRUCTURE B-36-231

DESIGNED BY: []
DRAWN BY: []
CHECKED BY: []

EXIST. PROFILE GRADE LINE - NEWTON RD.

CROSS SECTION & QUANTITIES

SHEET 2 OF 16

378

Addendum No. 02
ID 1224-21-73
Revised Sheet 378
December 12, 2016



Proposal Schedule of Items

Proposal ID: 20161213018

Project(s): 1224-21-73

SECTION: 0001 Contract Items

Alt Set ID: Alt Mbr ID:

Proposal Line Number	Item ID Description	Approximate Quantity and Units	Unit Price	Bid Amount
0170	204.0195 Removing Concrete Bases	6.000 EACH	_____.	_____.
0180	204.0220 Removing Inlets	8.000 EACH	_____.	_____.
0190	204.9060.S Removing (item description) 01. Culvert Endwalls	4.000 EACH	_____.	_____.
0200	205.0100 Excavation Common	6,033.000 CY	_____.	_____.
0210	206.1000 Excavation for Structures Bridges (structure) 08. B-36-0052	LS	LUMP SUM	_____.
0220	206.1000 Excavation for Structures Bridges (structure) 09. B-36-0053	LS	LUMP SUM	_____.
0230	206.1000 Excavation for Structures Bridges (structure) 14. B-36-0230	LS	LUMP SUM	_____.
0240	206.1000 Excavation for Structures Bridges (structure) 15. B-36-0231	LS	LUMP SUM	_____.
0250	206.2000 Excavation for Structures Culverts (structure) 13. B-36-0064	LS	LUMP SUM	_____.
0260	208.0100 Borrow	1,963.000 CY	_____.	_____.
0270	210.1100 Backfill Structure Type A	190.000 CY	_____.	_____.
0280	210.1500 Backfill Structure Type A	730.000 TON	_____.	_____.
0290	211.0100 Prepare Foundation for Asphaltic Paving (project) 01. 1224-21-73	LS	LUMP SUM	_____.
0300	213.0100 Finishing Roadway (project) 01. 1224-21-73	1.000 EACH	_____.	_____.
0310	305.0110 Base Aggregate Dense 3/4-Inch	8,975.000 TON	_____.	_____.



Proposal Schedule of Items

Proposal ID: 20161213018

Project(s): 1224-21-73

SECTION: 0001 Contract Items

Alt Set ID:

Alt Mbr ID:

Proposal Line Number	Item ID Description	Approximate Quantity and Units	Unit Price	Bid Amount
0490	460.7223 HMA Pavement 3 HT 58-28 S	21,010.000 TON	_____.	_____.
0500	460.7224 HMA Pavement 4 HT 58-28 S	16,235.000 TON	_____.	_____.
0510	465.0105 Asphaltic Surface	75.000 TON	_____.	_____.
0520	465.0125 Asphaltic Surface Temporary	387.000 TON	_____.	_____.
0530	465.0400 Asphaltic Shoulder Rumble Strips	112,494.000 LF	_____.	_____.
0540	502.0100 Concrete Masonry Bridges	1,192.000 CY	_____.	_____.
0550	502.3100 Expansion Device (structure) 03. B-36-0046	LS	LUMP SUM	_____.
0560	502.3100 Expansion Device (structure) 06. B-36-0050	LS	LUMP SUM	_____.
0570	502.3100 Expansion Device (structure) 07. B-36-0051	LS	LUMP SUM	_____.
0580	502.3200 Protective Surface Treatment	8,638.000 SY	_____.	_____.
0590	502.3210 Pigmented Surface Sealer	1,811.000 SY	_____.	_____.
0600	502.4204 Adhesive Anchors No. 4 Bar	19.000 EACH	_____.	_____.
0610	502.4205 Adhesive Anchors No. 5 Bar	236.000 EACH	_____.	_____.
0620	503.0137 Prestressed Girder Type I 36W-Inch	360.000 LF	_____.	_____.
0630	504.0100 Concrete Masonry Culverts	8.000 CY	_____.	_____.
0640	505.0400 Bar Steel Reinforcement HS Structures	16,940.000 LB	_____.	_____.