



Wisconsin Department of Transportation

January 4, 2017

Division of Transportation Systems Development

Bureau of Project Development
4802 Sheboygan Avenue, Rm 601
P O Box 7916
Madison, WI 53707-7916

Telephone: (608) 266-1631
Facsimile (FAX): (608) 266-8459

NOTICE TO ALL CONTRACTORS:

Proposal #14: 7882-05-72, WISC 2017 013
STH 29 – Knapp
STH 29 – IH 94
CTH Q
Dunn County

Letting of January 10, 2017

This is Addendum No. 01, which provides for the following:

Schedule of Items

Revised Bid Item Quantities					
Bid Item	Item Description	Unit	Old Quantity	Revised Quantity	Proposal Total
460.5223	HMA Pavement 3 LT 58-28 S	Ton	9,010	-3,960	5,050
460.5244	HMA Pavement 4 LT 58-34 S	Ton	7,010	-3,070	3,940
637.2210	Signs Type II Reflective H	SF	233.50	-6.42	227.08
637.2230	Signs Type II Reflective F	SF	241.00	2.75	243.75

Added Bid Item Quantities					
Bid Item	Item Description	Unit	Old Quantity	Revised Quantity	Proposal Total
460.6223	HMA Pavement 3 MT 58-28 S	Ton	0	3,960	3,960
460.6444	HMA Pavement 4 MT 58-34 H	Ton	0	3,070	3,070

Deleted Bid Item Quantities					
Bid Item	Item Description	Unit	Old Quantity	Revised Quantity	Proposal Total
312.0110	Select Crushed Material	Ton	1,000	-1,000	0

Plan Sheets

Revised Plan Sheets	
Plan Sheet	Plan Sheet Title (brief description of changes to sheet)
4	Typical Sections (revised pavement design)
5	Typical Sections (revised pavement design)
6	Typical Sections (revised pavement design)
33	Permanent Signing & Pavement Marking (modified sign dimensions)
42	Miscellaneous Quantities (modifications to HMA Pavement bid items and deleted Select Crushed Material)
47	Miscellaneous Quantities (modifications to Signs Type II bid items)
48	Miscellaneous Quantities (modifications to Signs Type II bid items)

Schedule of Items

Attached, dated January 4, 2017, are the revised Schedule of Items Pages 1 – 8.

Plan Sheets

The following 8½ x 11-inch sheets are attached and made part of the plans for this proposal:
Revised: 4, 5, 6, 33, 42, 47, and 48.

The responsibility for notifying potential subcontractors and suppliers of these changes remains with the prime contractor.

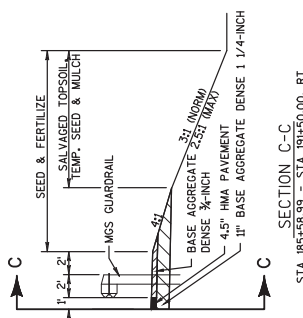
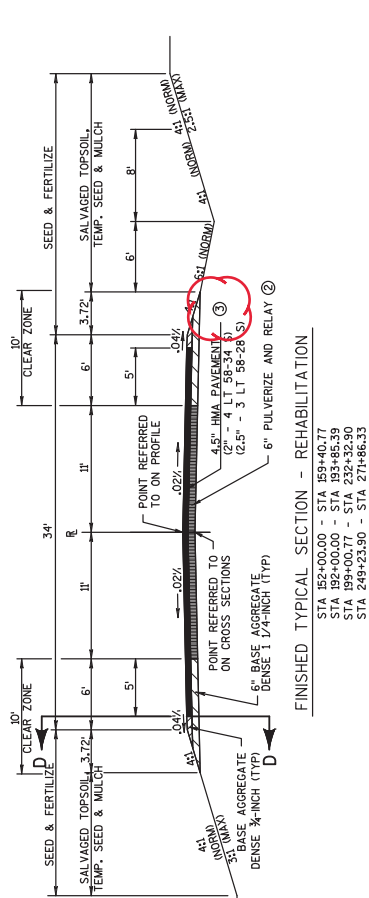
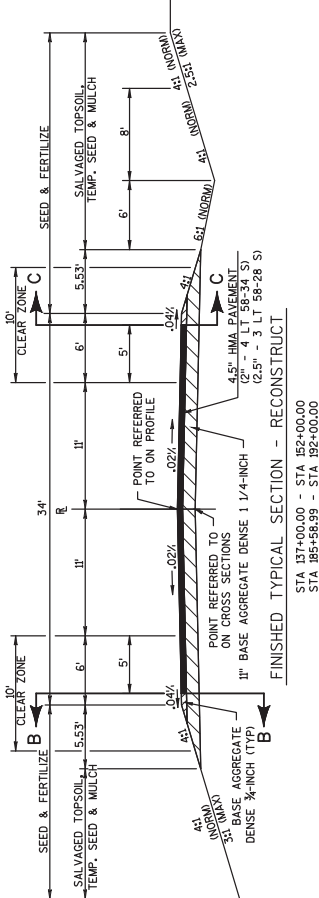
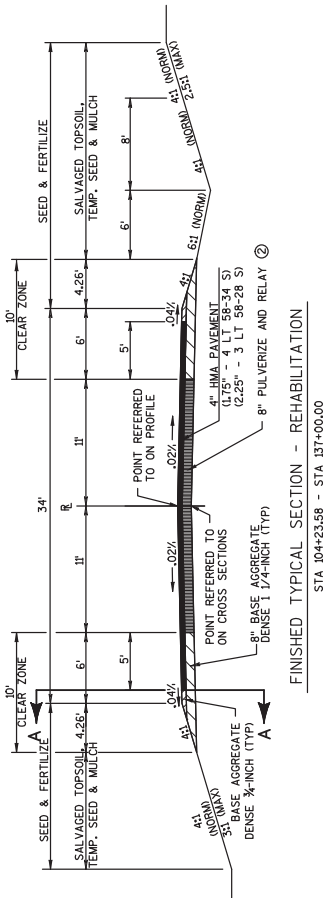
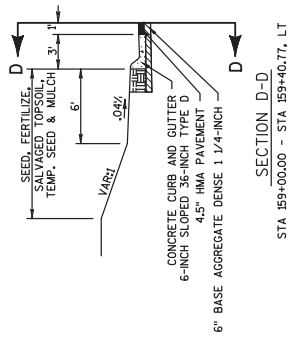
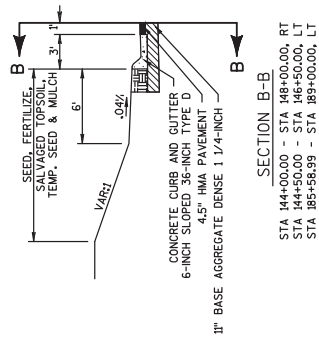
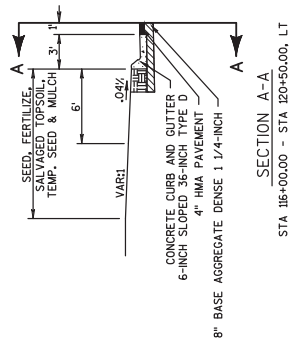
Sincerely,

Mike Coleman

Proposal Development Specialist
Proposal Management Section

END OF ADDENDUM

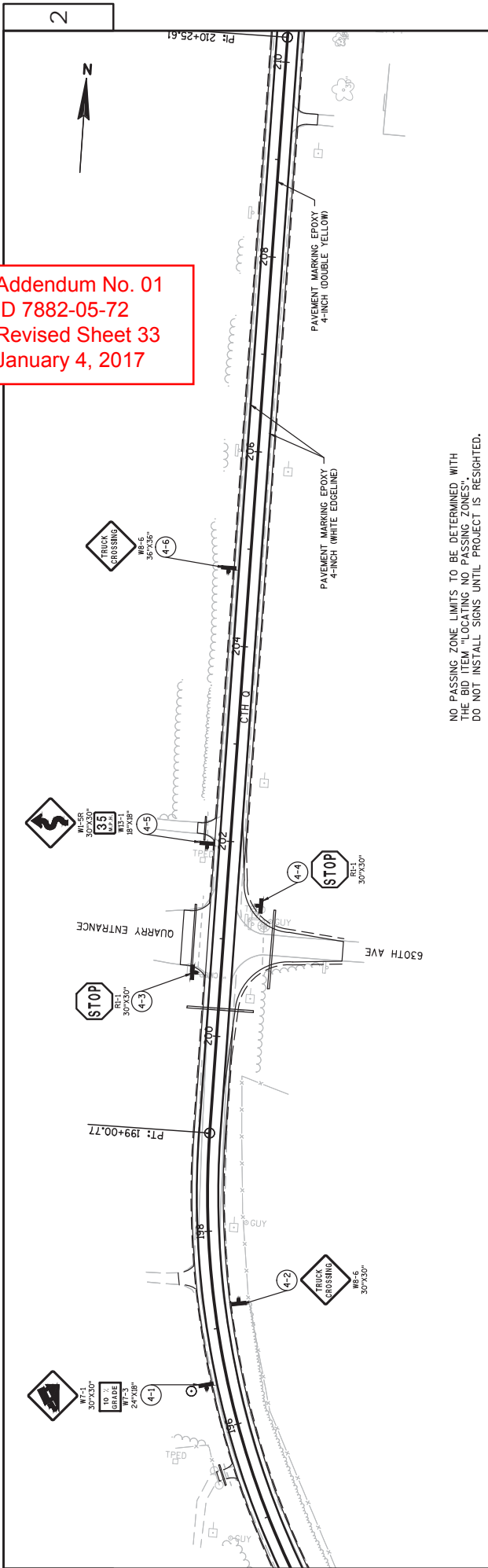
Addendum No. 01
 ID 7882-05-72
 Revised Sheet 5
 January 4, 2017



② HANDLE PULVERIZED MATERIAL IN SUCH A WAY THAT IT CAN BE INCORPORATED INTO THE PAVEMENT STRUCTURE OVER CULVERT PIPES THAT HAVE BEEN REMOVED AND/OR REPAIRED. THE PAVEMENT SHOULD BE LIFTED UP TO AND OVER THE CULVERT PRECAST. ANY ADDITIONAL BASE AGGREGATE DENSE MATERIAL REQUIRED TO MAINTAIN PAVEMENT STRUCTURE DEPTHS DUE TO LOST MATERIAL IS INDICATED BY DIMENSIONS IN PARENTHESIS.

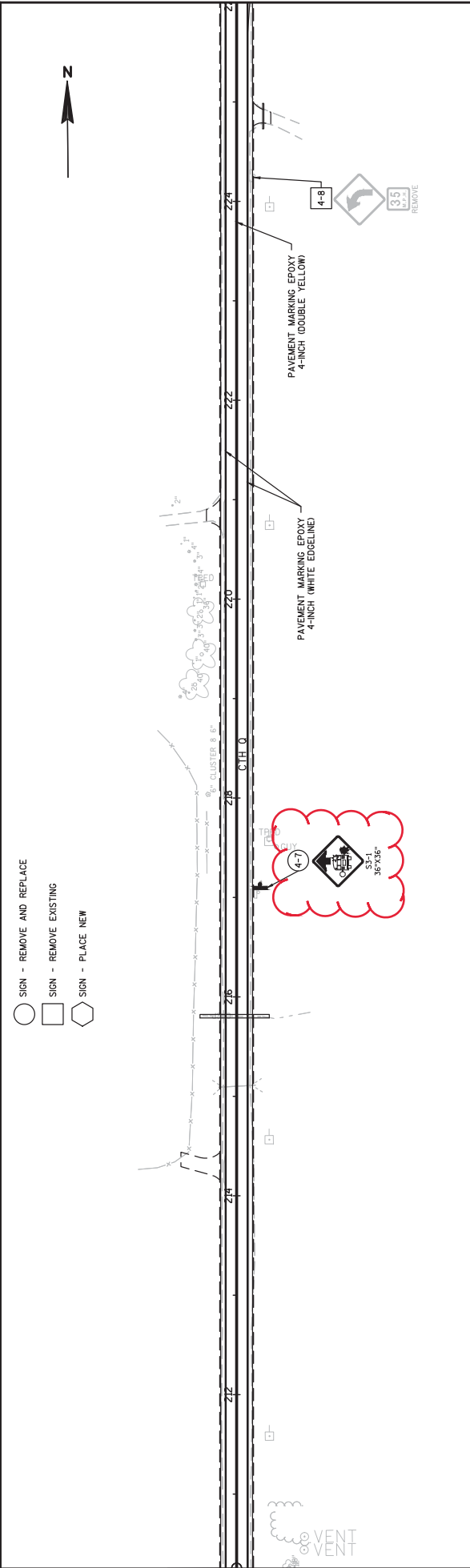
③ USE 4.5" HMA PAVEMENT (2' - 4' LT 58-34 S; 2.25' - 3' LT 58-28 S) FROM STA 200+00.00 TO STA 276+47.09.

Addendum No. 01
 ID 7882-05-72
 Revised Sheet 33
 January 4, 2017



NO PASSING ZONE LIMITS TO BE DETERMINED WITH THE BID ITEM "LOCATING NO PASSING ZONES". DO NOT INSTALL SIGNS UNTIL PROJECT IS RESIGHTED.

- SIGN - REMOVE AND REPLACE
- SIGN - REMOVE EXISTING
- ◡ SIGN - PLACE NEW



PROJECT NO: 7882-05-72	HWY: CTH 0	COUNTY: DUNN	PERMANENT SIGNING & PAVEMENT MARKING	SHEET 33	E
FILE NAME : Y:\NTRANS-EC\410650\C30\SHEETS\PLAN\023200_PS.DWG			PLOT SCALE : 1 IN:100 FT		
LAYOUT NAME - 023204_PS			PLOT DATE : 11/28/2016 10:23 AM		
			PLOT BY : GALLAGER, JAMES		
			PLOT NAME :		

Addendum No. 01
ID 7882-05-72
Revised Sheet 42
January 4, 2017

EARTHWORK SUMMARY

Table with columns for stationing, excavation, backfill, and material quantities. Includes sub-totals and project totals for items 14 and 1320.

- 1) COMMON EXCAVATION IS THE SUM OF THE CUT AND EBS EXCAVATION COLUMNS. ITEM NUMBER 205.0100
2) SALVAGED/UNUSABLE PAVEMENT MATERIAL IS INCLUDED IN CUT.
3) EBS EXCAVATION TO BE BACKFILLED WITH BACKFILL GRANULAR.
4) AVAILABLE MATERIAL = CUT - SALVAGED/UNUSABLE PAVEMENT MATERIAL
5) MARSH EXCAVATION - TO BE BACKFILLED WITH BACKFILL GRANULAR.
6) REDUCED MARSH IN FILL - EXCAVATED MARSH MATERIAL IS USABLE IN FILLS OUTSIDE THE 1:1 SLOPE. MARSH IN FILL REDUCTION FACTOR = 0.6.
7) REDUCED EBS IN FILL - EXCAVATED EBS MATERIAL IS USABLE IN FILLS OUTSIDE THE 1:1 SLOPE. EBS IN FILL REDUCTION FACTOR = 0.8.
8) EXPANDED MARSH BACKFILL - THIS IS TO BE FILLED WITH BACKFILL GRANULAR MATERIAL. MARSH BACKFILL FACTOR = 1.5.
9) EXPANDED EBS BACKFILL - THIS IS TO BE FILLED WITH BACKFILL GRANULAR. EBS BACKFILL FACTOR = 1.3
10) EXPANDED ROCK FACTOR = 1.1
11) EXPANDED FILL = (UNEXPANDED FILL - ROCK*ROCK FACTOR-REDUCED MARSH)*FILL FACTOR. EXPANDED FILL FACTOR = 1.25
12) THE MASS ORDINATE + OR - QTY CALCULATED FOR THE DIVISION. PLUS QUANTITY INDICATES AN EXCESS OF MATERIAL WITHIN THE DIVISION. MINUS QUANTITY INDICATES A SHORTAGE OF MATERIAL WITHIN THE DIVISION.

FINISHING ROADWAY table showing stationing, project totals, and material quantities for items like HMA PAVEMENT ITEMS, TACK COAT, and ASPHALTIC SURFACE.

BASE AGGREGATE DENSE table showing stationing, project totals, and material quantities for items like PULVERIZE AND RELAY and ASPHALTIC FLUMES.

MISCELLANEOUS QUANTITIES table showing project totals for items like PROJECT TOTAL and PROJECT TOTAL.

Addendum No. 01
ID 7882-05-72
Revised Sheet 47
January 4, 2017

PERMANENT SIGNING

APPROX STATION LOCATION	SIGN GROUP NUMBER	SIGN CODE	SIGN WxH (INCHES)	SIGN SIZE (INCHES)	EACH	634.0614 POSTS WOOD POSTS 4X6-INCH 14-FT	EACH	634.0614 4X6-INCH 16-FT	EACH	637.2210 REFLECTIVE H TYPE II	SF	637.2210 REFLECTIVE F TYPE II	SF	638.2602 REMOVING SMALL SIGN SUPPORTS	EACH	638.3000 REMOVING SIGN SUPPORTS	EACH	COMMENT	
																			634.0614 4X6-INCH 14-FT
101+25 RT	1-1	M1-5A	24 X 24	24 X 24	1					4.00				1					
102+00 RT	1-2	W1-7	90 X 30	90 X 30	1					18.75				1					
102+50 LT	1-3	D1-2	24 X 45	24 X 45	1									2					
104+50 LT	1-4	J13-1	30 X 30	30 X 30	1					5.18				1					
105+25 LT	1-5	R1-1	48 X 24	48 X 24	1									2					
105+40 RT	1-6	W1-7	24 X 39	24 X 39	1					6.50				1					
106+25 LT	1-7	J1-1	36 X 36	36 X 36	1									1					
107+80 LT	1-8	W3-1	12 X 36	12 X 36	1									1					
108+15 LT	1-9	W5-52L	12 X 36	12 X 36	1									1					
108+15 RT	1-10	W5-52R	12 X 36	12 X 36	1									1					
109+00 LT	1-11	W5-52R	12 X 36	12 X 36	1									1					
109+00 RT	1-12	W5-52L	12 X 36	12 X 36	1									1					
109+25 LT	1-13	W3-1	48 X 36	48 X 36	1									1					
117+30 RT	1-14	W14-3			1					6.00				1					
125+00 LT	1-15	W5-52L			1									1					
125+00 RT	1-16	W5-52R			1									1					
125+20 RT	1-17	W5-52L			1									1					
125+20 LT	1-18	W5-52R			1									1					
131+25 RT	1-19	J1-1	24 X 39	24 X 39	1									3					
133+00 RT	2-1	W5-52R	12 X 36	12 X 36	1									1					
133+00 LT	2-2	W5-52L	12 X 36	12 X 36	1									1					
133+40 LT	2-3	W5-52R	12 X 36	12 X 36	1									1					
133+40 RT	2-4	W5-52L	12 X 36	12 X 36	1									1					
135+50 LT	2-5	W14-3	48 X 45	48 X 45	1					4.00				1					
138+40 RT	2-6	M1-5A	24 X 24	24 X 24	1									5					
138+40 LT	2-7	J13-2	48 X 45	48 X 45	1									2					
8+60 LT	2-8	M1-5A	24 X 24	24 X 24	1					4.00				1					
8+60 RT	2-9	R10-6A	30 X 36	30 X 36	1					7.50				1					
139+50 RT	2-10	R1-1	30 X 30	30 X 30	1					5.18				1					
139+60 RT	2-11	J13-2	48 X 45	48 X 45	1					15.00				5					
139+35 LT	2-12	W1-7	48 X 24	48 X 24	1									8.00					
139+90 LT	2-13	J13-2	48 X 45	48 X 45	1					15.00				5					
141+70 RT	2-14	J13-2	48 X 45	48 X 45	1					15.00				5					
148+00 LT	2-15	J13-2	48 X 45	48 X 45	1					15.00				5					
150+00 LT	2-16	J13-2	48 X 45	48 X 45	1					15.00				5					
150+10 LT	2-17	R1-1	30 X 30	30 X 30	1					5.18				1					
150+20 RT	2-18	J13-2	48 X 45	48 X 45	1					15.00				5					
150+25 RT	2-19	W1-7	48 X 24	48 X 24	1									8.00					
12+25 RT	2-20	W13-1	18 X 18	18 X 18	1									2.25					
11+30 RT	2-21	M1-5A	24 X 24	24 X 24	1					4.00				2					
151+20 LT	2-22	J13-2	48 X 45	48 X 45	1					15.00				5					
152+30 RT	2-23	M1-5A	24 X 24	24 X 24	1					4.00				1					
155+70 RT	2-24	W1-5R	30 X 30	30 X 30	1									6.25					
158+50 LT	2-25	W13-1	18 X 18	18 X 18	1									2.25					
		J1-1	24 X 39	24 X 39	1					6.50				3					

-- CONTINUE NEXT PAGE --



Proposal Schedule of Items

Proposal ID: 20170110014

Project(s): 7882-05-72

SECTION: 0001

Contract Items

Alt Set ID:

Alt Mbr ID:

Proposal Line Number	Item ID Description	Approximate Quantity and Units	Unit Price	Bid Amount
0010	201.0205 Grubbing	57.000 STA	_____.	_____.
0020	203.0100 Removing Small Pipe Culverts	30.000 EACH	_____.	_____.
0030	203.0200 Removing Old Structure (station) 01. STA 125+09	LS	LUMP SUM	_____.
0040	203.0200 Removing Old Structure (station) 02. STA 156+36	LS	LUMP SUM	_____.
0050	203.0200 Removing Old Structure (station) 03. STA 215+10	LS	LUMP SUM	_____.
0060	204.0105 Removing Pavement Butt Joints	1,766.000 SY	_____.	_____.
0070	204.0110 Removing Asphaltic Surface	1,424.000 SY	_____.	_____.
0080	204.0165 Removing Guardrail	1,053.000 LF	_____.	_____.
0090	204.0170 Removing Fence	5,181.000 LF	_____.	_____.
0100	204.0180 Removing Delineators and Markers	27.000 EACH	_____.	_____.
0110	204.0215 Removing Catch Basins	1.000 EACH	_____.	_____.
0120	205.0100 Excavation Common	24,989.000 CY	_____.	_____.
0130	205.0200 Excavation Rock	3,393.000 CY	_____.	_____.
0140	205.0400 Excavation Marsh	14.000 CY	_____.	_____.
0150	209.2100 Backfill Granular Grade 2	1,320.000 CY	_____.	_____.
0160	213.0100 Finishing Roadway (project) 01. 7882- 05-72	1.000 EACH	_____.	_____.



Proposal Schedule of Items

Proposal ID: 20170110014

Project(s): 7882-05-72

SECTION: 0001

Contract Items

Alt Set ID:

Alt Mbr ID:

Proposal Line Number	Item ID Description	Approximate Quantity and Units	Unit Price	Bid Amount
0170	305.0110 Base Aggregate Dense 3/4-Inch	1,750.000 TON	_____	_____
0180	305.0120 Base Aggregate Dense 1 1/4-Inch	20,300.000 TON	_____	_____
0200	325.0100 Pulverize and Relay	34,956.000 SY	_____	_____
0210	440.4410 Incentive IRI Ride	13,276.000 DOL	1.00000	13,276.00
0220	455.0605 Tack Coat	5,720.000 GAL	_____	_____
0230	460.2000 Incentive Density HMA Pavement	10,260.000 DOL	1.00000	10,260.00
0240	460.5223 HMA Pavement 3 LT 58-28 S	5,050.000 TON	_____	_____
0250	460.5244 HMA Pavement 4 LT 58-34 S	3,940.000 TON	_____	_____
0260	465.0105 Asphaltic Surface	90.000 TON	_____	_____
0270	465.0315 Asphaltic Flumes	114.000 SY	_____	_____
0280	520.1024 Apron Endwalls for Culvert Pipe 24-Inch	9.000 EACH	_____	_____
0290	520.1030 Apron Endwalls for Culvert Pipe 30-Inch	2.000 EACH	_____	_____
0300	520.1036 Apron Endwalls for Culvert Pipe 36-Inch	4.000 EACH	_____	_____
0310	521.0124 Culvert Pipe Corrugated Steel 24-Inch	64.000 LF	_____	_____
0320	521.0148 Culvert Pipe Corrugated Steel 48-Inch	140.000 LF	_____	_____
0330	521.0348 Apron Endwalls for Culvert Pipe Sloped Cross Drains Steel 48-Inch 4 to 1	4.000 EACH	_____	_____
0340	521.0542 Apron Endwalls for Pipe Arch Sloped Cross Drains Steel 42x29-Inch 4 to 1	1.000 EACH	_____	_____



Proposal Schedule of Items

Proposal ID: 20170110014

Project(s): 7882-05-72

SECTION: 0001

Contract Items

Alt Set ID:

Alt Mbr ID:

Proposal Line Number	Item ID Description	Approximate Quantity and Units	Unit Price	Bid Amount
0350	521.0564 Apron Endwalls for Pipe Arch Sloped Cross Drains Steel 64x43-Inch 4 to 1	4.000 EACH	_____	_____
0360	521.0742 Pipe Arch Corrugated Steel 42x29-Inch	56.000 LF	_____	_____
0370	521.0764 Pipe Arch Corrugated Steel 64x43-Inch	138.000 LF	_____	_____
0380	521.1242 Apron Endwalls for Pipe Arch Steel 42x29-Inch	1.000 EACH	_____	_____
0390	521.1505 Apron Endwalls for Culvert Pipe Sloped Side Drains Steel 24-Inch 4 to 1	2.000 EACH	_____	_____
0400	521.1515 Apron Endwalls for Culvert Pipe Sloped Side Drains Steel 15-Inch 6 to 1	20.000 EACH	_____	_____
0410	521.1518 Apron Endwalls for Culvert Pipe Sloped Side Drains Steel 18-Inch 6 to 1	18.000 EACH	_____	_____
0420	530.0115 Culvert Pipe Corrugated Polyethylene 15-In	278.000 LF	_____	_____
0430	530.0118 Culvert Pipe Corrugated Polyethylene 18-Inch	314.000 LF	_____	_____
0440	530.0124 Culvert Pipe Corrugated Polyethylene 24-Inch	92.000 LF	_____	_____
0450	530.0130 Culvert Pipe Corrugated Polyethylene 30-Inch	66.000 LF	_____	_____
0460	530.0136 Culvert Pipe Corrugated Polyethylene 36-Inch	120.000 LF	_____	_____
0470	601.0557 Concrete Curb & Gutter 6-Inch Sloped 36-Inch Type D	4,375.000 LF	_____	_____
0480	606.0200 Riprap Medium	235.000 CY	_____	_____



Proposal Schedule of Items

Proposal ID: 20170110014

Project(s): 7882-05-72

SECTION: 0001

Contract Items

Alt Set ID:

Alt Mbr ID:

Proposal Line Number	Item ID Description	Approximate Quantity and Units	Unit Price	Bid Amount
0490	608.0424 Storm Sewer Pipe Reinforced Concrete Class IV 24-Inch	41.000 LF	_____.	_____.
0500	608.3012 Storm Sewer Pipe Class III-A 12-Inch	67.000 LF	_____.	_____.
0510	608.3015 Storm Sewer Pipe Class III-A 15-Inch	13.000 LF	_____.	_____.
0520	608.3024 Storm Sewer Pipe Class III-A 24-Inch	299.000 LF	_____.	_____.
0530	611.0627 Inlet Covers Type HM	12.000 EACH	_____.	_____.
0540	611.0642 Inlet Covers Type MS	1.000 EACH	_____.	_____.
0550	611.3230 Inlets 2x3-FT	12.000 EACH	_____.	_____.
0560	611.3901 Inlets Median 1 Grate	1.000 EACH	_____.	_____.
0570	614.0305 Steel Plate Beam Guard Class A	552.000 LF	_____.	_____.
0580	614.0345 Steel Plate Beam Guard Short Radius	161.000 LF	_____.	_____.
0590	614.0370 Steel Plate Beam Guard Energy Absorbing Terminal	3.000 EACH	_____.	_____.
0600	614.0390 Steel Plate Beam Guard Short Radius Terminal	2.000 EACH	_____.	_____.
0610	614.2300 MGS Guardrail 3	1,276.000 LF	_____.	_____.
0620	614.2310 MGS Guardrail 3 HS	75.000 LF	_____.	_____.
0630	614.2500 MGS Thrie Beam Transition	156.000 LF	_____.	_____.
0640	614.2610 MGS Guardrail Terminal EAT	8.000 EACH	_____.	_____.



Proposal Schedule of Items

Proposal ID: 20170110014

Project(s): 7882-05-72

SECTION: 0001

Contract Items

Alt Set ID:

Alt Mbr ID:

Proposal Line Number	Item ID Description	Approximate Quantity and Units	Unit Price	Bid Amount
0650	614.8010 Anchor Post Assembly Top Mount	15.000 EACH	_____	_____
0660	619.1000 Mobilization	1.000 EACH	_____	_____
0670	624.0100 Water	460.000 MGAL	_____	_____
0680	625.0500 Salvaged Topsoil	90,600.000 SY	_____	_____
0690	627.0200 Mulching	84,700.000 SY	_____	_____
0700	628.1504 Silt Fence	20,350.000 LF	_____	_____
0710	628.1520 Silt Fence Maintenance	20,350.000 LF	_____	_____
0720	628.1905 Mobilizations Erosion Control	4.000 EACH	_____	_____
0730	628.1910 Mobilizations Emergency Erosion Control	6.000 EACH	_____	_____
0740	628.2002 Erosion Mat Class I Type A	4,750.000 SY	_____	_____
0750	628.2004 Erosion Mat Class I Type B	1,300.000 SY	_____	_____
0760	628.2006 Erosion Mat Urban Class I Type A	4,050.000 SY	_____	_____
0770	628.2023 Erosion Mat Class II Type B	8,350.000 SY	_____	_____
0780	628.2039 Erosion Mat Class III Type D	7,300.000 SY	_____	_____
0790	628.7005 Inlet Protection Type A	13.000 EACH	_____	_____
0800	628.7015 Inlet Protection Type C	12.000 EACH	_____	_____
0810	628.7504 Temporary Ditch Checks	645.000 LF	_____	_____



Proposal Schedule of Items

Proposal ID: 20170110014

Project(s): 7882-05-72

SECTION: 0001

Contract Items

Alt Set ID:

Alt Mbr ID:

Proposal Line Number	Item ID Description	Approximate Quantity and Units	Unit Price	Bid Amount
0820	628.7555 Culvert Pipe Checks	152.000 EACH	_____	_____
0830	628.7570 Rock Bags	130.000 EACH	_____	_____
0840	629.0210 Fertilizer Type B	70.000 CWT	_____	_____
0850	630.0120 Seeding Mixture No. 20	3,050.000 LB	_____	_____
0860	630.0140 Seeding Mixture No. 40	100.000 LB	_____	_____
0870	630.0170 Seeding Mixture No. 70	50.000 LB	_____	_____
0880	630.0200 Seeding Temporary	1,525.000 LB	_____	_____
0890	633.5200 Markers Culvert End	25.000 EACH	_____	_____
0900	634.0614 Posts Wood 4x6-Inch X 14-FT	38.000 EACH	_____	_____
0910	634.0616 Posts Wood 4x6-Inch X 16-FT	26.000 EACH	_____	_____
0920	637.2210 Signs Type II Reflective H	227.080 SF	_____	_____
0930	637.2230 Signs Type II Reflective F	243.750 SF	_____	_____
0940	638.2602 Removing Signs Type II	105.000 EACH	_____	_____
0950	638.3000 Removing Small Sign Supports	58.000 EACH	_____	_____
0960	642.5001 Field Office Type B	1.000 EACH	_____	_____
0970	643.0100 Traffic Control (project) 01. 7882-05-72	1.000 EACH	_____	_____
0980	643.0420 Traffic Control Barricades Type III	1,880.000 DAY	_____	_____



Proposal Schedule of Items

Proposal ID: 20170110014

Project(s): 7882-05-72

SECTION: 0001 Contract Items

Alt Set ID:

Alt Mbr ID:

Proposal Line Number	Item ID Description	Approximate Quantity and Units	Unit Price	Bid Amount
0990	643.0705 Traffic Control Warning Lights Type A	3,760.000 DAY	_____.	_____.
1000	643.0900 Traffic Control Signs	940.000 DAY	_____.	_____.
1010	643.2000 Traffic Control Detour (project) 01. 7882-05-72	1.000 EACH	_____.	_____.
1020	643.3000 Traffic Control Detour Signs	17,860.000 DAY	_____.	_____.
1030	645.0120 Geotextile Type HR	740.000 SY	_____.	_____.
1040	646.0106 Pavement Marking Epoxy 4-Inch	67,373.000 LF	_____.	_____.
1050	648.0100 Locating No-Passing Zones	3.330 MI	_____.	_____.
1060	650.4000 Construction Staking Storm Sewer	20.000 EACH	_____.	_____.
1070	650.4500 Construction Staking Subgrade	17,991.000 LF	_____.	_____.
1080	650.5000 Construction Staking Base	17,991.000 LF	_____.	_____.
1090	650.5500 Construction Staking Curb Gutter and Curb & Gutter	4,375.000 LF	_____.	_____.
1100	650.6000 Construction Staking Pipe Culverts	10.000 EACH	_____.	_____.
1110	650.9910 Construction Staking Supplemental Control (project) 01. 7882-05-72	LS	LUMP SUM	_____.
1120	650.9920 Construction Staking Slope Stakes	17,991.000 LF	_____.	_____.
1130	690.0150 Sawing Asphalt	330.000 LF	_____.	_____.
1140	ASP.1T0A On-the-Job Training Apprentice at \$5.00/HR	2,000.000 HRS	5.00000	10,000.00



Proposal Schedule of Items

Proposal ID: 20170110014

Project(s): 7882-05-72

SECTION: 0001

Contract Items

Alt Set ID:

Alt Mbr ID:

Proposal Line Number	Item ID Description	Approximate Quantity and Units	Unit Price	Bid Amount
1150	ASP.1T0G On-the-Job Training Graduate at \$5.00/HR	630.000 HRS	5.00000	3,150.00
1160	SPV.0060 Special 01. Remove And Reinstall Steel Plate Beam Guard EAT	4.000 EACH	_____.	_____.
1170	SPV.0090 Special 01. Remove And Reinstall Guardrail	100.000 LF	_____.	_____.
1180	460.6223 HMA Pavement 3 MT 58-28 S	3,960.000 TON	_____.	_____.
1190	460.6444 HMA Pavement 4 MT 58-34 H	3,070.000 TON	_____.	_____.
Section: 0001			Total:	_____.
			Total Bid:	_____.

