



Wisconsin Department of Transportation

Division of Transportation Systems Development

Bureau of Project Development
 4802 Sheboygan Avenue, Rm 601
 P O Box 7916
 Madison, WI 53707-7916

March 3, 2017

Telephone: (608) 266-1631
 Facsimile (FAX): (608) 266-8459

NOTICE TO ALL CONTRACTORS:

Proposal #06: 3897-00-69
Iron Ridge – East County Line
STH 67 – Meadowbrook Park
Drive
CTH S
Dodge County

3897-00-70, WISC 2017 096
Iron Ridge – East County Line
STH 67 – Meadowbrook Park
Drive
CTH S
Dodge County

Letting of March 14, 2017

This is Addendum No. 01, which provides for the following:

Schedule of Items:

Revised Bid Item Quantities					
Bid Item	Item Description	Unit	Old Quantity	Revised Quantity	Proposal Total
608.0312	Storm Sewer Pipe Reinforced Concrete Class III 12-Inch	LF	812	-512	300
608.0315	Storm Sewer Pipe Reinforced Concrete Class III 15-Inch	LF	699	-388	311
608.0318	Storm Sewer Pipe Reinforced Concrete Class III 18-Inch	LF	256	-101	155
608.0324	Storm Sewer Pipe Reinforced Concrete Class III 24-Inch	LF	340	-235	105
608.0336	Storm Sewer Pipe Reinforced Concrete Class III 36-Inch	LF	1,033	-161	872

Added Bid Item Quantities					
Bid Item	Item Description	Unit	Old Quantity	Revised Quantity	Proposal Total
608.0412	Storm Sewer Pipe Reinforced Concrete Class IV 12-Inch	LF	0	514	514
608.0415	Storm Sewer Pipe Reinforced Concrete Class IV 15-Inch	LF	0	388	388
608.0418	Storm Sewer Pipe Reinforced Concrete Class IV 18-Inch	LF	0	101	101
608.0421	Storm Sewer Pipe Reinforced Concrete Class IV 21-Inch	LF	0	412	412
608.0424	Storm Sewer Pipe Reinforced Concrete Class IV 24-Inch	LF	0	235	235
608.0436	Storm Sewer Pipe Reinforced Concrete Class IV 36-Inch	LF	0	161	161

Deleted Bid Item Quantities					
Bid Item	Item Description	Unit	Old Quantity	Revised Quantity	Proposal Total
415.0060	Concrete Pavement 6-Inch	SY	26	-26	0
608.0321	Storm Sewer Pipe Reinforced Concrete Class III 21-Inch	LF	412	-412	0

Plan Sheets:

Revised Plan Sheets	
Plan Sheet	Plan Sheet Title (brief description of changes to sheet)
16	Construction Details (Revised crash cushion pad to be included in Crash Cushions Permanent Low Maintenance bid item)
57	Storm Sewer (Changed pipes to Class IV)
59	Storm Sewer (Changed pipes to Class IV)
60	Storm Sewer (Changed pipes to Class IV)
61	Storm Sewer (Changed pipes to Class IV)
62	Storm Sewer (Changed pipes to Class IV)
63	Storm Sewer (Changed pipes to Class IV)
64	Storm Sewer (Changed pipes to Class IV)
65	Storm Sewer (Changed pipes to Class IV)
67	Storm Sewer (Changed pipes to Class IV)
68	Storm Sewer (Changed pipes to Class IV)
70	Storm Sewer (Added pipe notes, were missing)
118	Miscellaneous Quantities (Added Class IV bid items, updated Class III bid items)
119	Miscellaneous Quantities (Added Class IV bid items, moved rows from other mq table on sheet to next sheet)
120	Miscellaneous Quantities (Moved rows from previous mq table onto this sheet)

Schedule of Items

Attached, dated March 3, 2017, are the revised Schedule of Items Pages 1 – 14.

Plan Sheets

The following 8½ x 11-inch sheets are attached and made part of the plans for this proposal:
Revised: 16, 57, 59 - 65, 67, 68, 70, and 118 - 120.

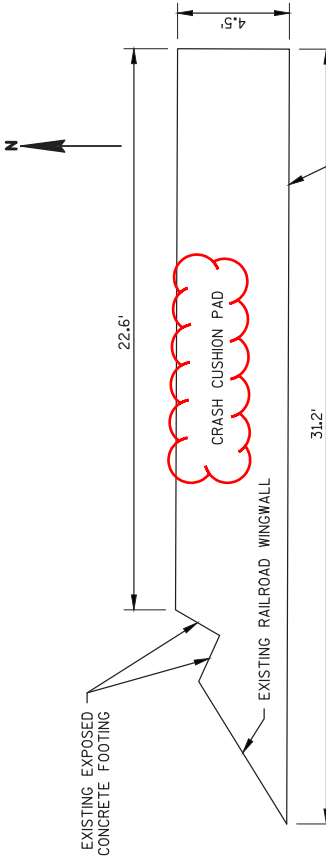
The responsibility for notifying potential subcontractors and suppliers of these changes remains with the prime contractor.

Sincerely,

Mike Coleman

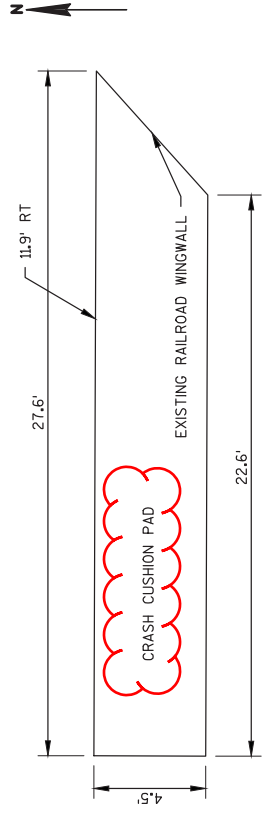
Proposal Development Specialist
Proposal Management Section

END OF ADDENDUM



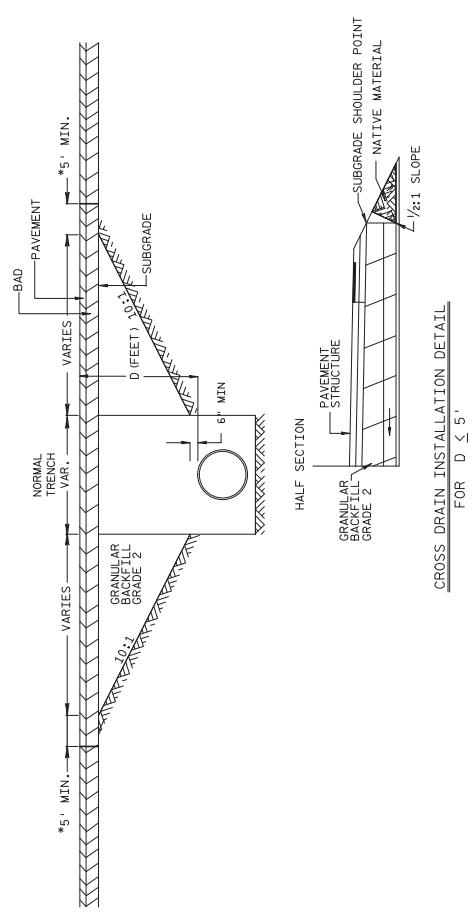
CRASH CUSHION PAD PLAN DETAIL 2
 STA 39+23P - STA 39+55 LT

NOTES:
 -CRASH CUSHION, FOUNDATION PAD, AND TRANSITION INCLUDED IN CRASH CUSHIONS PERMANENT LOW MAINTENANCE ITEM
 -CONSTRUCT JOINTS PER MANUFACTURER'S REQUIREMENTS

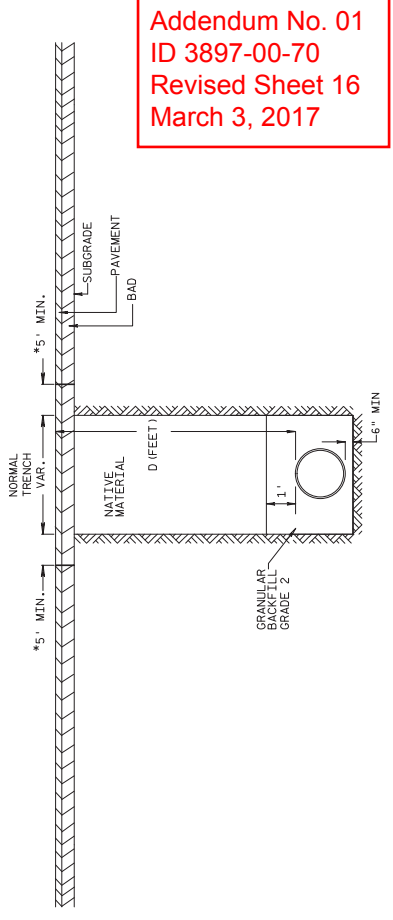


CRASH CUSHION PAD PLAN DETAIL 1
 STA 38+78P - STA 39+06 RT

NOTES:
 -CRASH CUSHION, FOUNDATION PAD, AND TRANSITION INCLUDED IN CRASH CUSHIONS PERMANENT LOW MAINTENANCE ITEM
 -CONSTRUCT JOINTS PER MANUFACTURER'S REQUIREMENTS



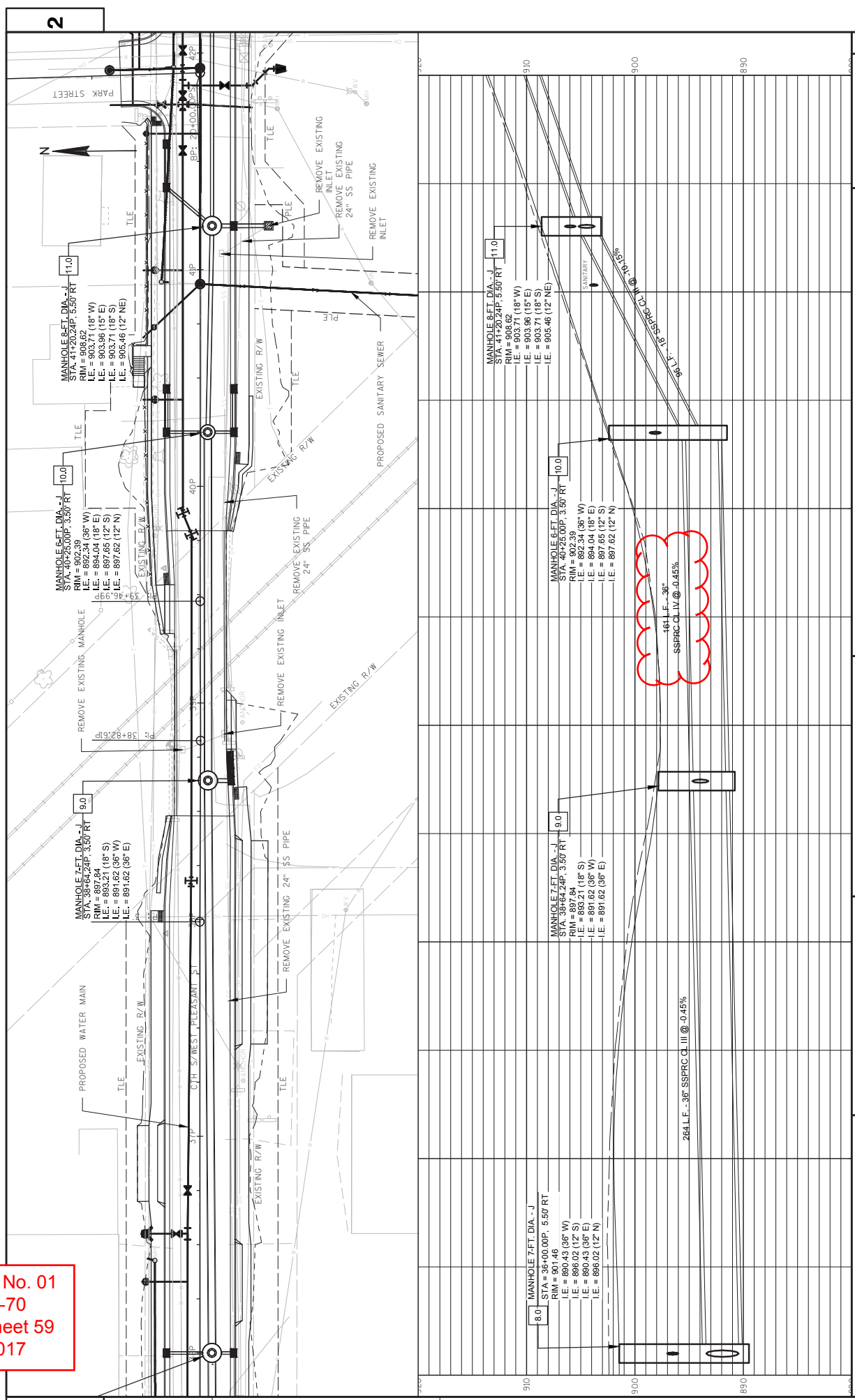
CROSS DRAIN INSTALLATION DETAIL
 FOR $D \leq 5'$



CROSS DRAIN INSTALLATION DETAIL
 FOR $D \geq 5'$

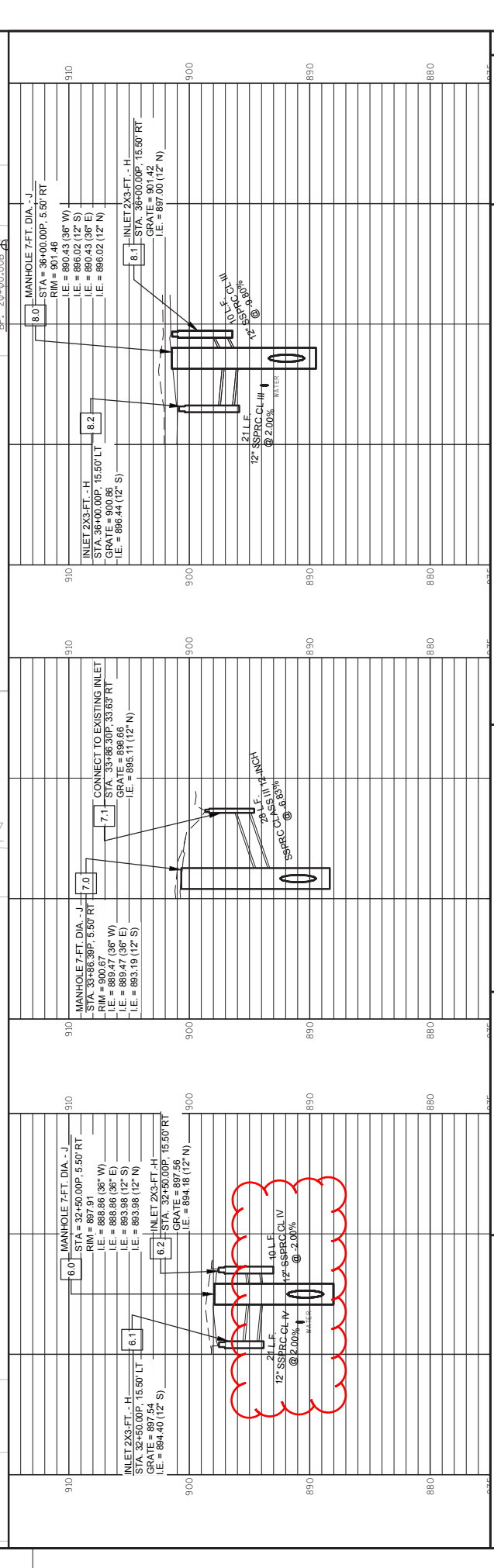
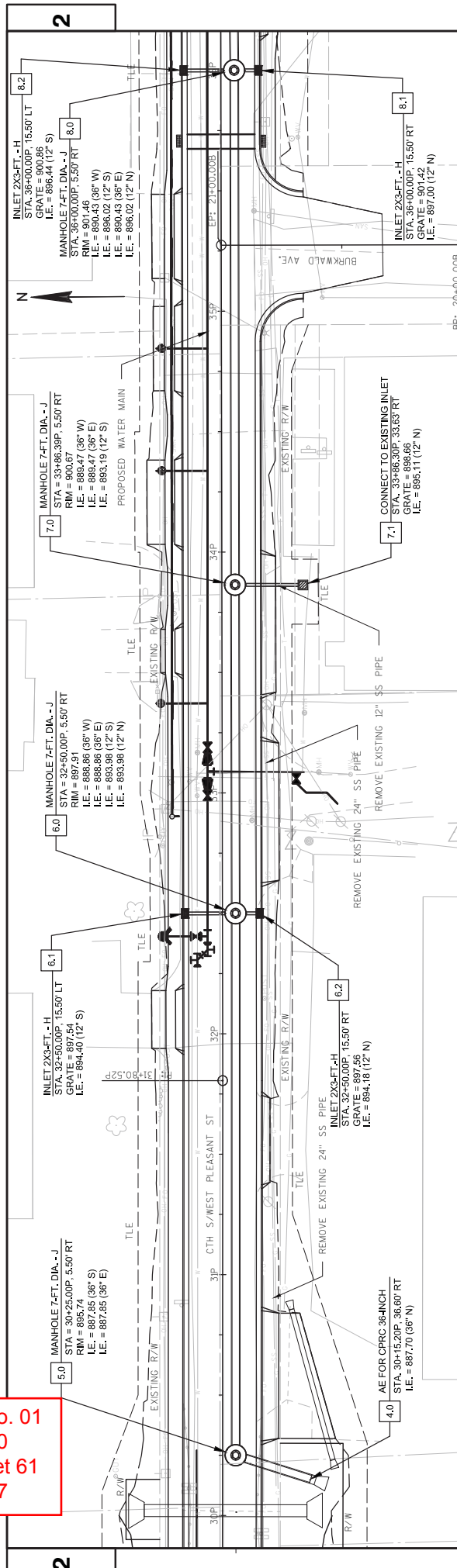
Addendum No. 01
ID 3897-00-70
Revised Sheet 16
March 3, 2017

Addendum No. 01
 ID 3897-00-70
 Revised Sheet 59
 March 3, 2017



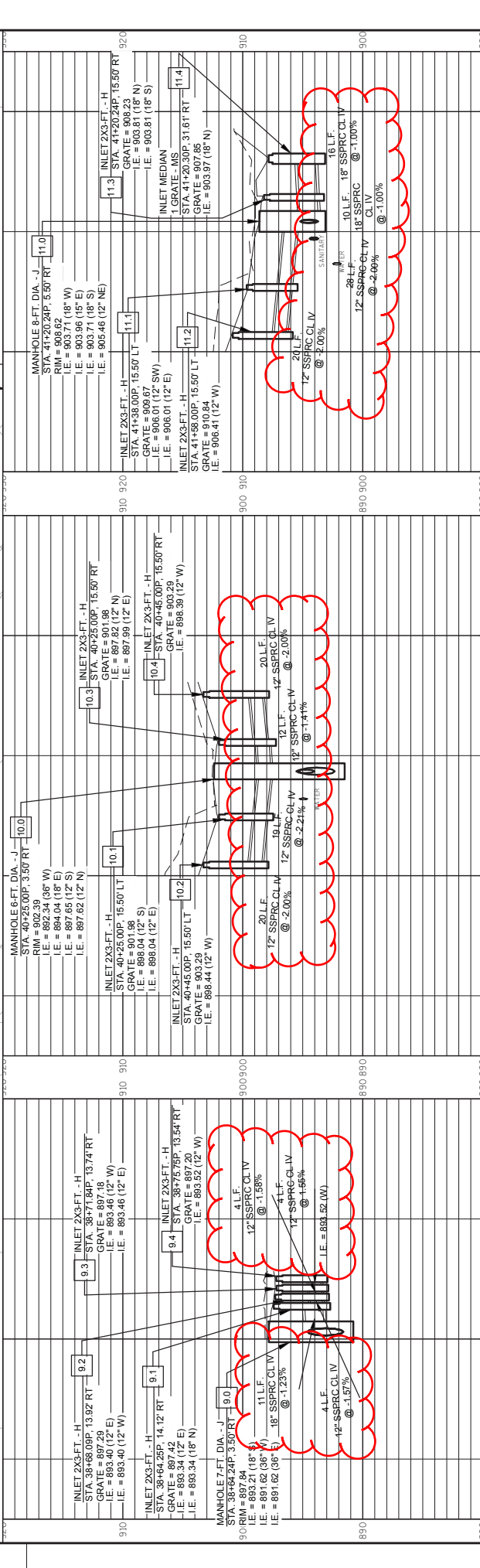
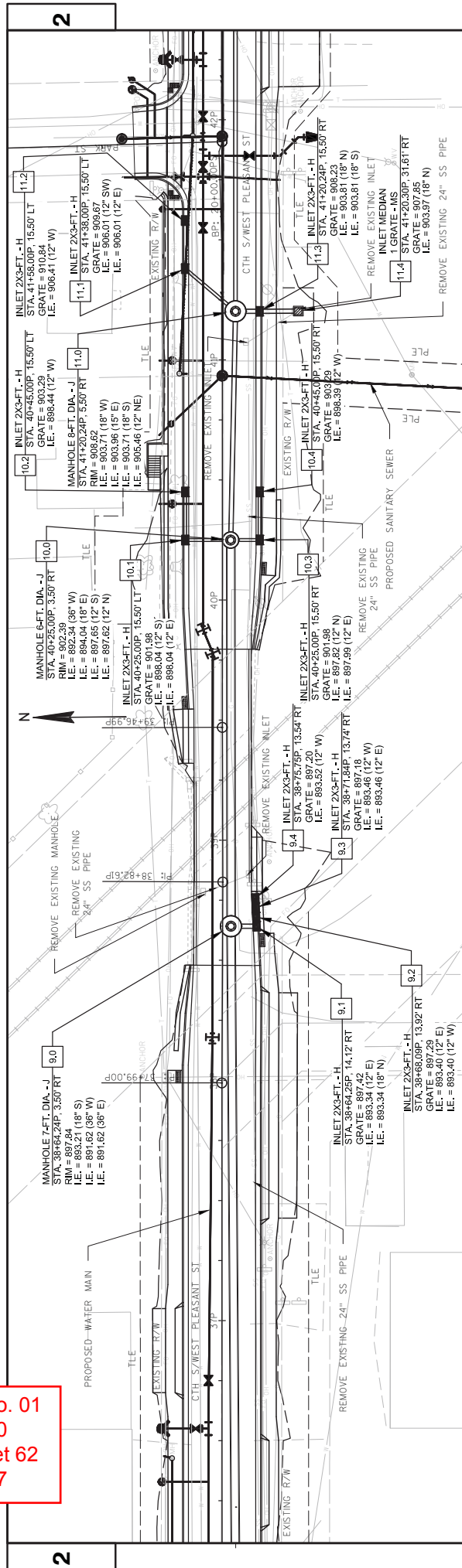
PROJECT NO: 3897-00-70	HWY: CTH. S	COUNTY: DODGE	STORM SEWER	SHEET 59	E
FILE NAME : P:\2205\226\002600\CADD\SH\SP\AN\STORM SEWER\STORM SEWER PLEASANT 1.DWG					
PLOT DATE : 2/20/2017 10:27 AM					
PLOT BY : BOBBY MAXWELL					
PLOT NAME :					
PLOT SCALE : 1"= 40'-XREF					
WISDOT/CADD/SH SHEET 41					

Addendum No. 01
 ID 3897-00-70
 Revised Sheet 61
 March 3, 2017

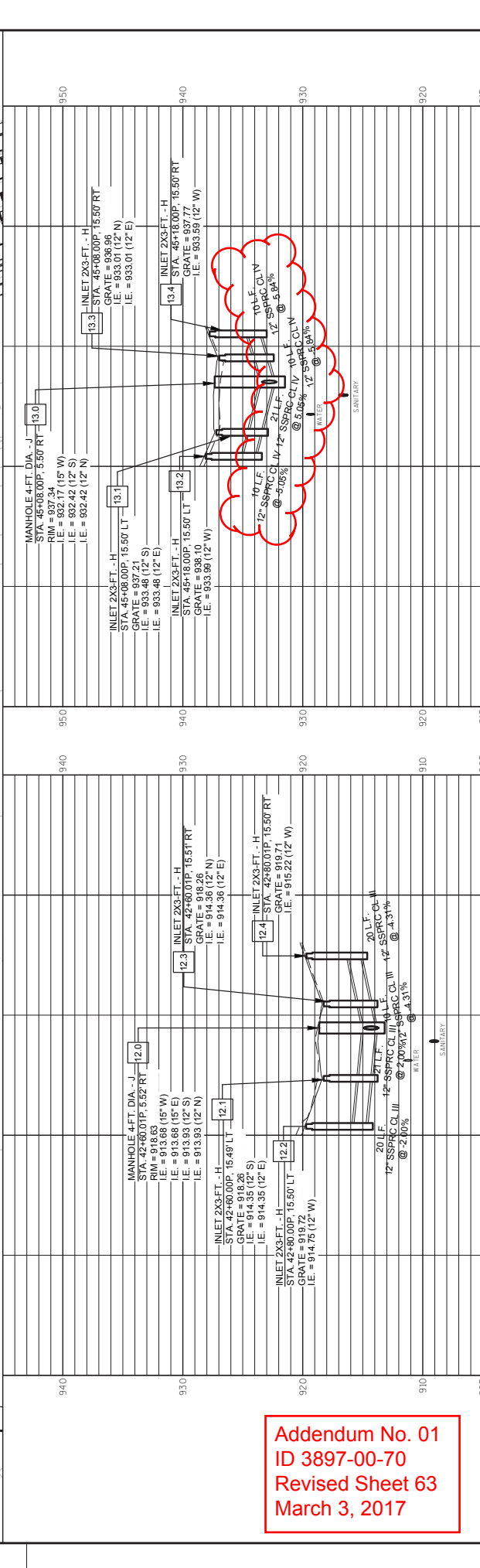
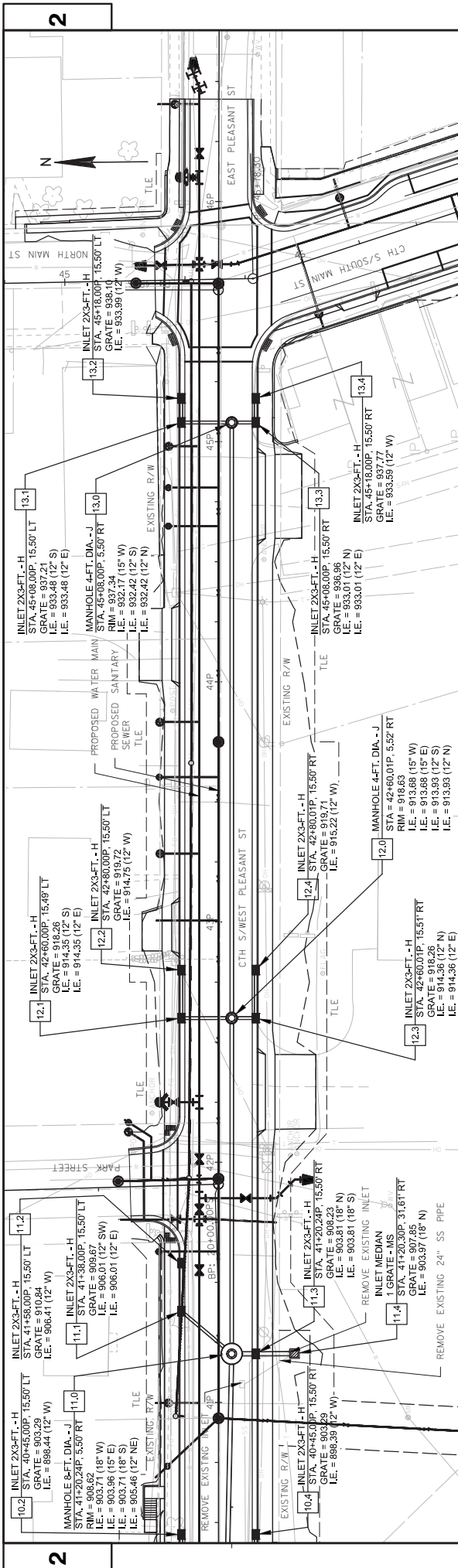


PROJECT NO: 3897-00-70	HWY: CTH. S	COUNTY: DODGE	STORM SEWER	SHEET 61	E
------------------------	-------------	---------------	-------------	----------	---

Addendum No. 01
 ID 3897-00-70
 Revised Sheet 62
 March 3, 2017

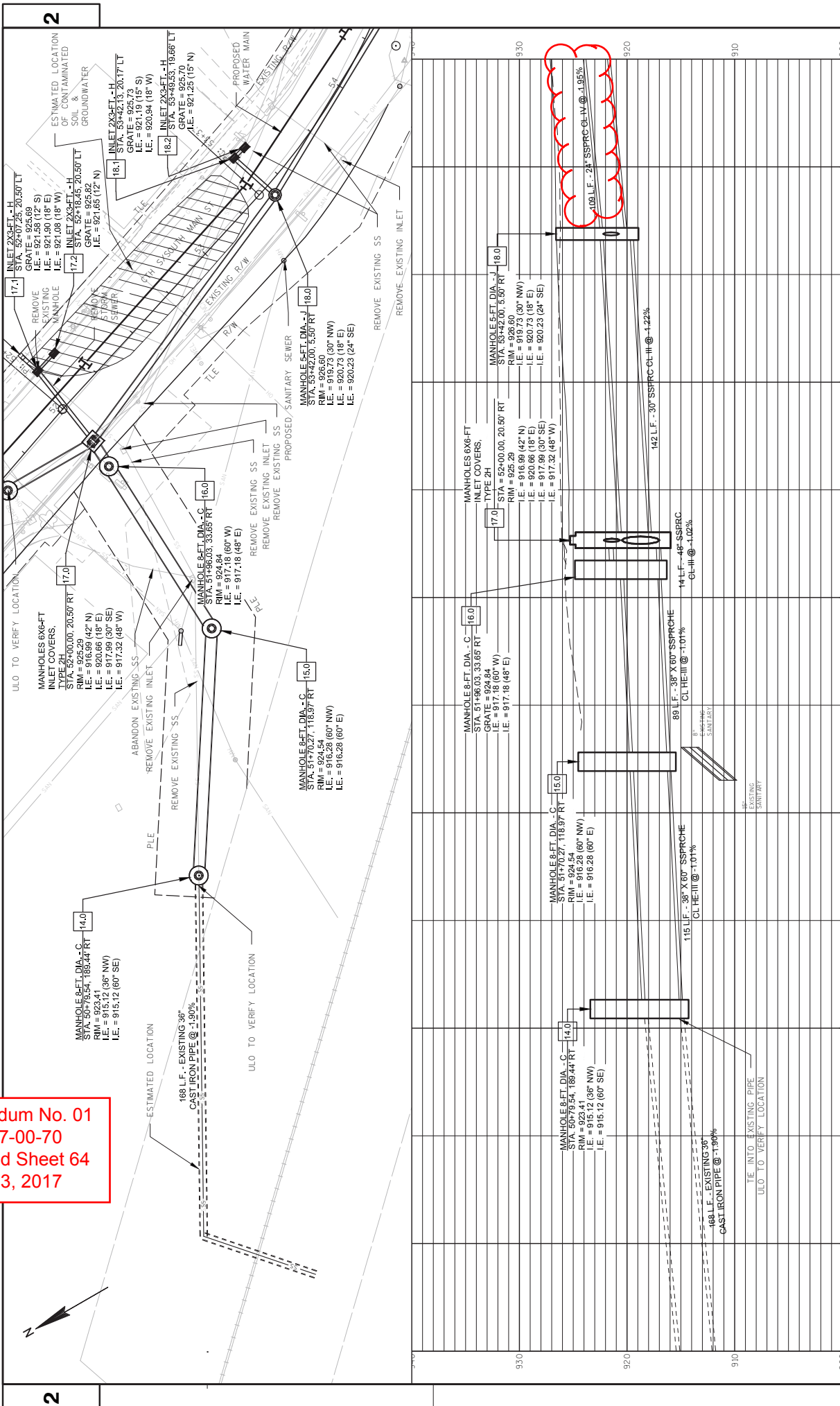


PROJECT NO: 3897-00-70	COUNTY: DODGE	STORM SEWER	SHEET 62
HWY: CTH. S			
FILE NAME: P:\2015\205\20526003\CADD\SHETS\PLAN\SEWER\STORM SEWER PLEASANT 2.DWG	DATE: 12.20.2017 11:17 AM	BY: BOBBY MAXWELL	SCALE: 1" = 40' XREF



Addendum No. 01
 ID 3897-00-70
 Revised Sheet 63
 March 3, 2017

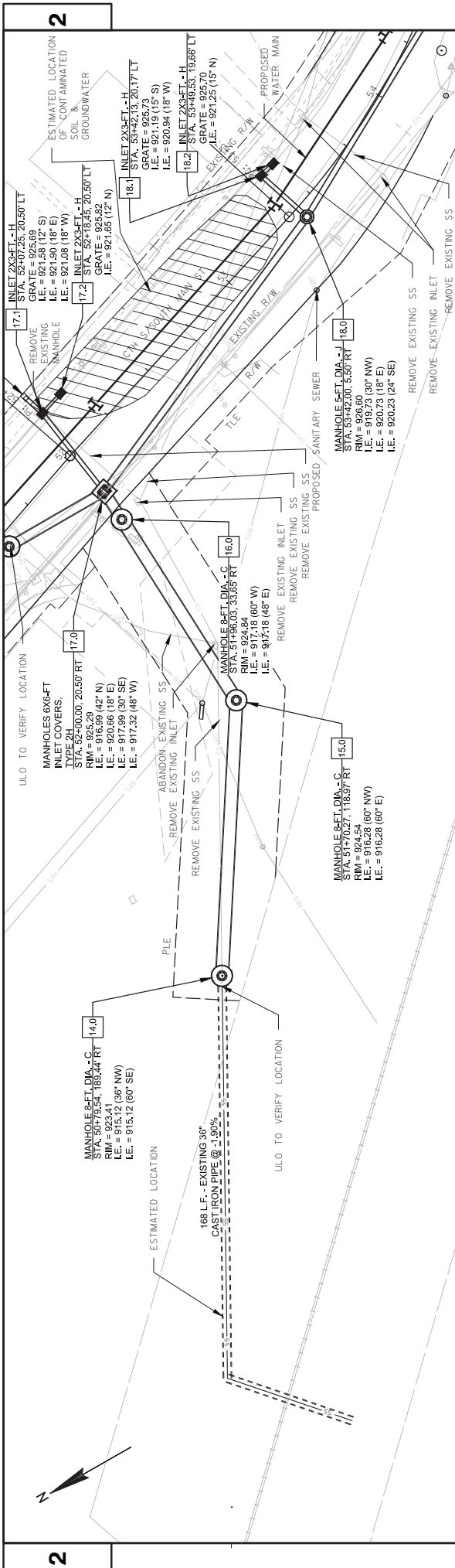
Addendum No. 01
 ID 3897-00-70
 Revised Sheet 64
 March 3, 2017



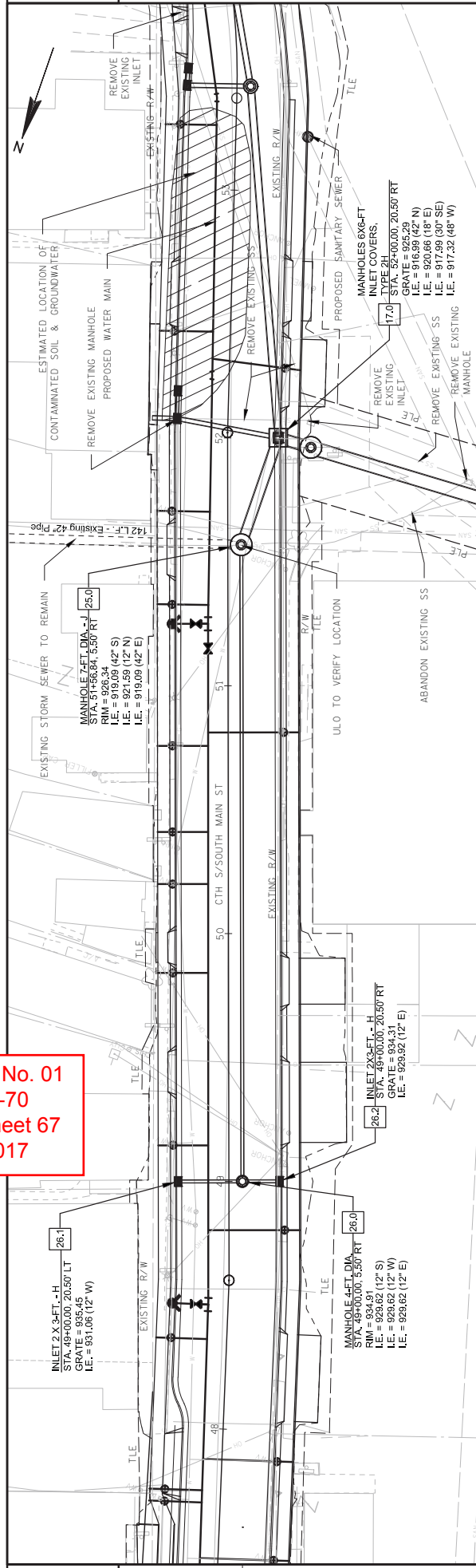
2

2

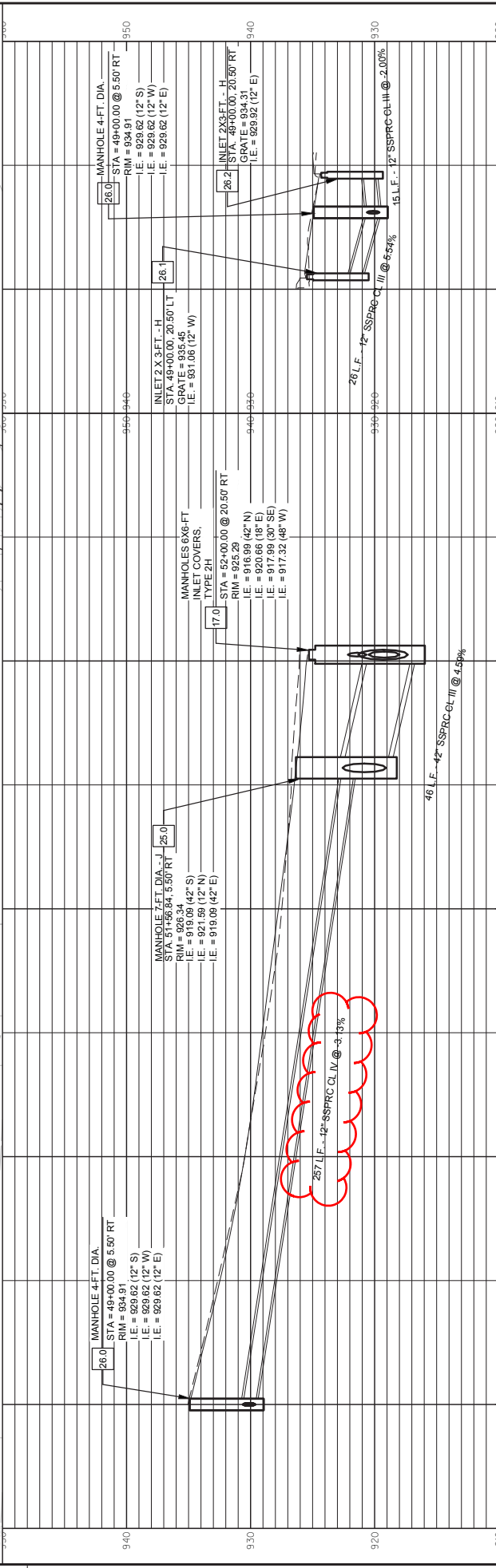
PROJECT NO: 3897-00-70	HWY: CTH S	COUNTY: DODGE	STORM SEWER	SHEET	64	E
FILE NAME : P:\2205\226\0022600\3\CADD\SHEET\SP1\AN\STORM SEWER\STORM SEWER MAIN 1.DWG						
PLOT DATE : 2/20/2017 12:00 PM						
PLOT NAME :						
PLOT SCALE : 1:40.XREF						
WSDOT/CADD/S SHEET 41						

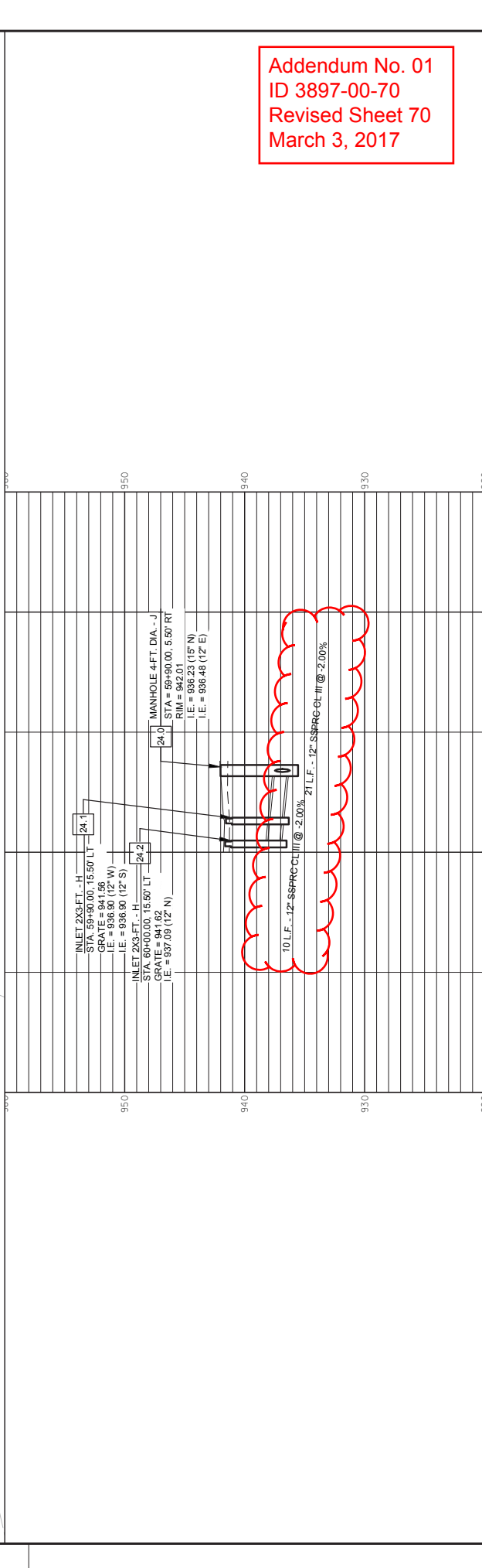
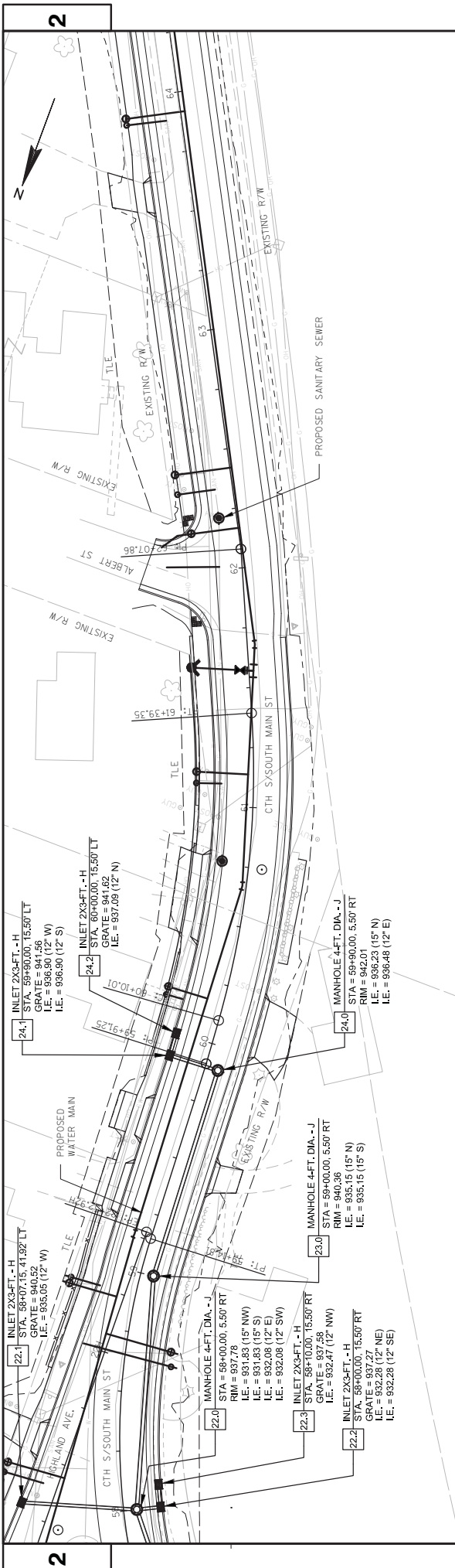


Addendum No. 01
ID 3897-00-70
Revised Sheet 65
March 3, 2017



Addendum No. 01
 ID 3897-00-70
 Revised Sheet 67
 March 3, 2017





Addendum No. 01
 ID 3897-00-70
 Revised Sheet 70
 March 3, 2017

PROJECT NO: 3897-00-70	HWY: CTH. S	COUNTY: DODGE	STORM SEWER	SHEET 70	E
FILE NAME : P:\2205\226\002600\CADD\SHEET\PLAN\STORM SEWER\STORM SEWER MAIN 3.DWG					
PLOT DATE : 2/21/2017 11:15 AM					
PLOT BY : BOBBY MAXWELL					
PLOT NAME :					
PLOT SCALE : 1" = 40' .XREF					
WISDOT/CADD/S SHEET 41					

CLASS III STORM SEWER PIPES

STRUCTURE TO STRUCTURE	608.0312 STORM SEWER PIPE REINFORCED CONCRETE CLASS III 12-INCH LF	608.0315 STORM SEWER PIPE REINFORCED CONCRETE CLASS III 15-INCH LF	608.0318 STORM SEWER PIPE REINFORCED CONCRETE CLASS III 18-INCH LF	608.0324 STORM SEWER PIPE REINFORCED CONCRETE CLASS III 24-INCH LF	608.0330 STORM SEWER PIPE REINFORCED CONCRETE CLASS III 30-INCH LF	608.0336 STORM SEWER PIPE REINFORCED CONCRETE CLASS III 36-INCH LF	608.0342 STORM SEWER PIPE REINFORCED CONCRETE CLASS III 42-INCH LF	608.0348 STORM SEWER PIPE REINFORCED CONCRETE CLASS III 48-INCH LF	610.0138 STORM SEWER PIPE REINFORCED CONCRETE HORIZONTAL ELLIPTICAL CLASS HE III 38 X 60-INCH LF
4.0 - 5.0	---	---	---	---	---	33	---	---	---
5.0 - 6.0	---	---	---	---	---	225	---	---	---
6.0 - 7.0	---	---	---	---	---	136	---	---	---
7.0 - 7.1	28	---	---	---	---	---	---	---	---
7.0 - 8.0	---	---	---	---	---	214	---	---	---
8.0 - 8.1	10	---	---	---	---	---	---	---	---
8.0 - 8.2	21	---	---	---	---	---	---	---	---
8.0 - 9.0	---	---	---	---	---	264	---	---	---
10.0 - 11.0	---	---	---	---	---	---	---	---	---
12.0 - 12.1	21	---	---	---	---	---	---	---	---
12.1 - 12.2	20	---	---	---	---	---	---	---	---
12.0 - 12.3	10	---	---	---	---	---	---	---	---
12.3 - 12.4	20	---	---	---	---	---	---	---	---
14.0 - 15.0	---	---	---	---	---	---	---	---	115
15.0 - 16.0	---	---	---	---	---	---	---	---	89
16.0 - 17.0	---	---	10	---	---	---	---	---	---
17.0 - 17.3	---	---	---	---	142	---	---	---	---
17.0 - 18.0	---	---	26	---	---	---	---	---	---
18.0 - 18.1	---	---	---	---	---	---	---	---	---
18.1 - 18.2	---	7	---	---	---	---	---	---	---
20.0 - 20.1	21	---	---	---	---	---	---	---	---
20.0 - 20.2	10	---	---	---	---	---	---	---	---
20.0 - 21.0	---	---	---	105	---	---	---	---	---
21.0 - 21.1	---	---	24	---	---	---	---	---	---
21.0 - 22.0	---	117	---	---	---	---	---	---	---
22.0 - 22.1	48	---	---	---	---	---	---	---	---
22.0 - 22.2	10	---	---	---	---	---	---	---	---
22.2 - 22.3	9	---	---	---	---	---	---	---	---
22.0 - 23.0	---	97	---	---	---	---	---	---	---
23.0 - 24.0	---	80	---	---	---	---	---	---	---
24.0 - 24.1	21	---	---	---	---	---	---	---	---
24.1 - 24.2	10	---	---	---	---	---	---	---	---
17.0 - 25.0	---	---	---	---	---	---	---	---	---
26.0 - 26.1	26	---	---	---	---	---	46	---	---
26.0 - 26.2	15	---	---	---	---	---	---	---	---
TOTAL PROJECT 3897-00-70	300	311	155	105	142	872	46	14	204

Addendum No. 01
 ID 3897-00-70
 Revised Sheet 118
 March 3, 2017

CLASS IV STORM SEWER PIPES

STRUCTURE TO STRUCTURE	608.0412 STORM SEWER PIPE REINFORCED CONCRETE CLASS IV 12-INCH LF	608.0415 STORM SEWER PIPE REINFORCED CONCRETE CLASS IV 15-INCH LF	608.0418 STORM SEWER PIPE REINFORCED CONCRETE CLASS IV 18-INCH LF	608.0421 STORM SEWER PIPE REINFORCED CONCRETE CLASS IV 21-INCH LF	608.0424 STORM SEWER PIPE REINFORCED CONCRETE CLASS IV 24-INCH LF	608.0436 STORM SEWER PIPE REINFORCED CONCRETE CLASS IV 36-INCH LF
1.0 - 2.0	---	---	22	---	---	---
2.0 - 2.1	---	---	---	35	---	---
2.1 - 2.2	---	---	---	49	---	---
2.2 - 3.0	---	---	---	300	---	---
3.0 - 3.1	---	---	---	28	---	---
3.3 - 3.2	12	---	---	---	---	---
3.2 - 3.0	21	---	---	---	---	---
6.0 - 6.1	21	---	---	---	---	---
6.0 - 6.2	10	---	---	---	---	---
9.0 - 9.1	---	---	11	---	---	---
9.1 - 9.2	4	---	---	---	---	---
9.2 - 9.3	4	---	---	---	---	---
9.3 - 9.4	4	---	---	---	---	---
9.0 - 10.0	---	---	---	---	---	161
10.0 - 10.1	19	---	---	---	---	---

ALL ITEMS ARE CATEGORY 0010 ON THIS SHEET.

PROJECT NO: 3897-00-70

HWY: CTH S

COUNTY: DODGE

CONTINUED ON NEXT PAGE

MISCELLANEOUS QUANTITIES

SHEET

118

Addendum No. 01
ID 3897-00-70
Revised Sheet 119
March 3, 2017

CONTINUED FROM PREVIOUS PAGE

CLASS IV STORM SEWER PIPES

STRUCTURE NO.	STATION	LOCATION	GRAVE ELEV.	TOP OF STRUCTURE ELEV.	INVERT ELEV.	STRUCTURE DEPTH	608 0412 STORM SEWER PIPE REINFORCED CONCRETE CLASS IV 12-INCH LF	608 0415 STORM SEWER PIPE REINFORCED CONCRETE CLASS IV 15-INCH LF	608 0418 STORM SEWER PIPE REINFORCED CONCRETE CLASS IV 18-INCH LF	608 0421 STORM SEWER PIPE REINFORCED CONCRETE CLASS IV 24-INCH LF	608 0424 STORM SEWER PIPE REINFORCED CONCRETE CLASS IV 24-INCH LF	608 0436 STORM SEWER PIPE REINFORCED CONCRETE CLASS IV 36-INCH LF
2.0	30+44.32W	17.45' LT	889.19	889.19	884.83	3.36	20					
2.1	30+43.37W	17.45' RT	888.87	888.87	884.66	3.21	12					
2.2	26+00.00P	5.50' RT	889.56	889.56	884.41	3.92	20					
3.0	29+00.00P	5.50' RT	895.13	893.88	890.99	2.89	28					
3.2	29+88.00P	15.50' LT	895.54	894.54	892.22	2.32	20					
3.3	29+00.00P	15.50' LT	895.39	894.39	892.16	2.23	10	10				
5.0	30+25.00P	5.50' RT	895.74	894.49	887.85	6.64	16					
6.0	32+50.00P	5.50' RT	897.91	896.66	888.88	7.80	140					
6.1	32+50.00P	15.50' LT	897.54	896.54	894.40	2.14	248					
6.2	32+50.00P	15.50' RT	897.56	896.56	894.18	2.38	21					
7.0	33+66.39P	5.50' RT	900.67	899.42	889.47	9.95	10					
8.0	36+00.00P	5.50' RT	901.46	900.21	890.43	9.78	10					
8.1	36+00.00P	15.50' RT	901.42	900.42	897.00	3.42						
8.2	36+00.00P	15.50' LT	900.86	899.86	896.44	3.42						
9.0	38+64.24P	3.50' RT	897.84	896.59	891.62	4.97						
9.1	38+64.25P	14.12' RT	897.42	896.42	893.34	3.08						
9.2	38+68.09P	13.92' RT	897.29	896.29	893.40	2.89						
9.3	38+71.84P	13.74' RT	897.18	896.18	893.46	2.72						
9.4	38+75.75P	13.54' RT	897.20	896.20	893.52	2.68						
10.0	40+24.99P	5.49' RT	902.39	901.14	892.34	8.80						
10.1	40+25.00P	15.50' LT	901.88	900.88	898.04	2.94						
10.2	40+45.00P	15.50' LT	903.29	902.29	898.44	3.85						
10.3	40+25.00P	15.50' RT	901.98	900.98	897.82	3.16						
10.4	40+45.00P	15.50' RT	903.29	902.29	898.39	3.90						
11.0	41+20.24P	5.50' RT	908.62	907.37	903.71	3.66						
11.1	41+38.00P	15.50' LT	908.87	908.87	906.01	2.66						
11.2	41+58.00P	15.50' LT	910.84	909.84	906.41	3.43						
11.3	41+20.24P	15.50' RT	908.23	907.23	903.61	3.42						
12.0	42+60.01P	5.52' RT	918.63	917.38	913.68	3.70						
12.1	42+60.00P	15.49' LT	918.26	917.26	914.35	2.91						
TOTAL PROJECT 3897-00-70							514	388	101	412	235	161

STORM SEWER STRUCTURES

STRUCTURE NO.	STATION	LOCATION	GRAVE ELEV.	TOP OF STRUCTURE ELEV.	INVERT ELEV.	STRUCTURE DEPTH	611.0530 MANHOLE COVERS TYPE J	611.0612 INLET COVERS TYPE C	611.0624 INLET COVERS TYPE H	SRV.0660.01 INLET COVERS TYPE 2H	611.2004 MANHOLES DIAMETER 4FT	611.2005 MANHOLES DIAMETER 5FT	611.2006 MANHOLES DIAMETER 6FT	611.2007 MANHOLES DIAMETER 7FT	611.2008 MANHOLES DIAMETER 8FT	611.2066 MANHOLES 6 X 6-FT	611.3230 INLETS 2X3-FT	650.4000 CONSTRUCTION STAKING STORM SEWER EACH	
2.0	30+44.32W	17.45' LT	889.19	889.19	884.83	3.36													
2.1	30+43.37W	17.45' RT	888.87	888.87	884.66	3.21													
2.2	26+00.00P	5.50' RT	889.56	889.56	884.41	3.92	1				1								
3.0	29+00.00P	5.50' RT	895.13	893.88	890.99	2.89	1					1							
3.2	29+88.00P	15.50' LT	895.54	894.54	892.22	2.32													
3.3	29+00.00P	15.50' LT	895.39	894.39	892.16	2.23													
5.0	30+25.00P	5.50' RT	895.74	894.49	887.85	6.64													
6.0	32+50.00P	5.50' RT	897.91	896.66	888.88	7.80	1												
6.1	32+50.00P	15.50' LT	897.54	896.54	894.40	2.14													
6.2	32+50.00P	15.50' RT	897.56	896.56	894.18	2.38													
7.0	33+66.39P	5.50' RT	900.67	899.42	889.47	9.95	1												
8.0	36+00.00P	5.50' RT	901.46	900.21	890.43	9.78													
8.1	36+00.00P	15.50' RT	901.42	900.42	897.00	3.42													
8.2	36+00.00P	15.50' LT	900.86	899.86	896.44	3.42													
9.0	38+64.24P	3.50' RT	897.84	896.59	891.62	4.97	1												
9.1	38+64.25P	14.12' RT	897.42	896.42	893.34	3.08													
9.2	38+68.09P	13.92' RT	897.29	896.29	893.40	2.89													
9.3	38+71.84P	13.74' RT	897.18	896.18	893.46	2.72													
9.4	38+75.75P	13.54' RT	897.20	896.20	893.52	2.68													
10.0	40+24.99P	5.49' RT	902.39	901.14	892.34	8.80	1												
10.1	40+25.00P	15.50' LT	901.88	900.88	898.04	2.94													
10.2	40+45.00P	15.50' LT	903.29	902.29	898.44	3.85													
10.3	40+25.00P	15.50' RT	901.98	900.98	897.82	3.16													
10.4	40+45.00P	15.50' RT	903.29	902.29	898.39	3.90													
11.0	41+20.24P	5.50' RT	908.62	907.37	903.71	3.66	1												
11.1	41+38.00P	15.50' LT	908.87	908.87	906.01	2.66													
11.2	41+58.00P	15.50' LT	910.84	909.84	906.41	3.43													
11.3	41+20.24P	15.50' RT	908.23	907.23	903.61	3.42													
12.0	42+60.01P	5.52' RT	918.63	917.38	913.68	3.70													
12.1	42+60.00P	15.49' LT	918.26	917.26	914.35	2.91													

CONTINUED ON NEXT PAGE

COUNTY: DODGE

HWY: CTH S

PROJECT NO: 3897-00-70

MISCELLANEOUS QUANTITIES

SHEET 119



Proposal Schedule of Items

Proposal ID: 20170314006 Project(s): 3897-00-69, 3897-00-70

Federal ID(s): N/A, WISC 2017096

SECTION: 0001 Contract Items

Alt Set ID: Alt Mbr ID:

Proposal Line Number	Item ID Description	Approximate Quantity and Units	Unit Price	Bid Amount
0010	201.0105 Clearing	18.000 STA	_____.	_____.
0020	201.0205 Grubbing	18.000 STA	_____.	_____.
0030	203.0100 Removing Small Pipe Culverts	4.000 EACH	_____.	_____.
0040	203.0200 Removing Old Structure (station) 01. Station 30+02P	LS	LUMP SUM	_____.
0050	204.0100 Removing Pavement	12,675.000 SY	_____.	_____.
0060	204.0150 Removing Curb & Gutter	336.000 LF	_____.	_____.
0070	204.0155 Removing Concrete Sidewalk	1,365.000 SY	_____.	_____.
0080	204.0165 Removing Guardrail	225.000 LF	_____.	_____.
0090	204.0170 Removing Fence	23.000 LF	_____.	_____.
0100	204.0185 Removing Masonry	19.000 CY	_____.	_____.
0110	204.0210 Removing Manholes	3.000 EACH	_____.	_____.
0120	204.0220 Removing Inlets	9.000 EACH	_____.	_____.
0130	204.0245 Removing Storm Sewer (size) 01. 8-Inch	40.000 LF	_____.	_____.
0140	204.0245 Removing Storm Sewer (size) 02. 10-Inch	42.000 LF	_____.	_____.
0150	204.0245 Removing Storm Sewer (size) 03. 12-Inch	355.000 LF	_____.	_____.
0160	204.0245 Removing Storm Sewer (size) 04. 15-Inch	10.000 LF	_____.	_____.



Proposal Schedule of Items

Proposal ID: 20170314006 Project(s): 3897-00-69, 3897-00-70

Federal ID(s): N/A, WISC 2017096

SECTION: 0001 Contract Items

Alt Set ID: Alt Mbr ID:

Proposal Line Number	Item ID Description	Approximate Quantity and Units	Unit Price	Bid Amount
0170	204.0245 Removing Storm Sewer (size) 05. 18-Inch	289.000 LF	_____.	_____.
0180	204.0245 Removing Storm Sewer (size) 06. 24-Inch	948.000 LF	_____.	_____.
0190	204.0245 Removing Storm Sewer (size) 07. 36-Inch	138.000 LF	_____.	_____.
0200	204.0291.S Abandoning Sewer	48.000 CY	_____.	_____.
0210	204.9060.S Removing (item description) 03. Signs & Salvaging	7.000 EACH	_____.	_____.
0220	204.9090.S Removing (item description) 01. Concrete Block Retaining Wall	22.000 LF	_____.	_____.
0230	204.9090.S Removing (item description) 02. Timber Retaining Wall	20.000 LF	_____.	_____.
0240	204.9090.S Removing (item description) 03. Tubular Railing	169.000 LF	_____.	_____.
0250	204.9090.S Removing (item description) 04. Wood Railing	19.000 LF	_____.	_____.
0260	204.9090.S Removing (item description) 05. Stone Wall	20.000 LF	_____.	_____.
0270	204.9090.S Removing (item description) 06. Underdrain	350.000 LF	_____.	_____.
0280	204.9105.S Removing (item description) 01. Boulders	LS	LUMP SUM	_____.
0290	205.0100 Excavation Common	16,977.000 CY	_____.	_____.
0300	209.2500 Backfill Granular Grade 2	1,704.000 TON	_____.	_____.



Proposal Schedule of Items

Proposal ID: 20170314006 Project(s): 3897-00-69, 3897-00-70

Federal ID(s): N/A, WISC 2017096

SECTION: 0001 Contract Items

Alt Set ID: Alt Mbr ID:

Proposal Line Number	Item ID Description	Approximate Quantity and Units	Unit Price	Bid Amount
0310	213.0100 Finishing Roadway (project) 01. 3897-00-70	1.000 EACH	_____.	_____.
0320	305.0110 Base Aggregate Dense 3/4-Inch	282.000 TON	_____.	_____.
0330	305.0120 Base Aggregate Dense 1 1/4-Inch	14,356.000 TON	_____.	_____.
0340	311.0110 Breaker Run	9,960.000 TON	_____.	_____.
0350	312.0110 Select Crushed Material	599.000 TON	_____.	_____.
0370	415.0080 Concrete Pavement 8-Inch	16,878.000 SY	_____.	_____.
0380	415.0210 Concrete Pavement Gaps	8.000 EACH	_____.	_____.
0390	415.1080 Concrete Pavement HES 8-Inch	2,500.000 SY	_____.	_____.
0400	415.6000.S Rout and Seal	842.000 LF	_____.	_____.
0410	416.0160 Concrete Driveway 6-Inch	847.000 SY	_____.	_____.
0420	440.4410 Incentive IRI Ride	3,680.000 DOL	1.00000	3,680.00
0430	465.0105 Asphaltic Surface	308.000 TON	_____.	_____.
0440	465.0120 Asphaltic Surface Driveways and Field Entrances	280.000 TON	_____.	_____.
0450	465.0315 Asphaltic Flumes	16.000 SY	_____.	_____.
0460	511.1100 Temporary Shoring	2,136.000 SF	_____.	_____.
0470	513.2050.S Railing Pipe	28.000 LF	_____.	_____.



Proposal Schedule of Items

Proposal ID: 20170314006 Project(s): 3897-00-69, 3897-00-70

Federal ID(s): N/A, WISC 2017096

SECTION: 0001 Contract Items

Alt Set ID: Alt Mbr ID:

Proposal Line Number	Item ID Description	Approximate Quantity and Units	Unit Price	Bid Amount
0480	520.1018 Apron Endwalls for Culvert Pipe 18-Inch	6.000 EACH	_____.	_____.
0490	520.1024 Apron Endwalls for Culvert Pipe 24-Inch	2.000 EACH	_____.	_____.
0500	520.3318 Culvert Pipe Class III-A 18-Inch	120.000 LF	_____.	_____.
0510	520.3324 Culvert Pipe Class III-A 24-Inch	66.000 LF	_____.	_____.
0520	521.1283 Apron Endwalls for Pipe Arch Steel 83x57-Inch	2.000 EACH	_____.	_____.
0530	522.1021 Apron Endwalls for Culvert Pipe Reinforced Concrete 21-Inch	1.000 EACH	_____.	_____.
0540	522.1036 Apron Endwalls for Culvert Pipe Reinforced Concrete 36-Inch	1.000 EACH	_____.	_____.
0550	529.0383 Pipe Arch Corrugated Steel Aluminum Coated 83x57-Inch	68.000 LF	_____.	_____.
0560	601.0409 Concrete Curb & Gutter 30-Inch Type A	7,607.000 LF	_____.	_____.
0570	601.0411 Concrete Curb & Gutter 30-Inch Type D	85.000 LF	_____.	_____.
0580	601.0600 Concrete Curb Pedestrian	46.000 LF	_____.	_____.
0590	602.0405 Concrete Sidewalk 4-Inch	31,526.000 SF	_____.	_____.
0600	602.0505 Curb Ramp Detectable Warning Field Yellow	180.000 SF	_____.	_____.
0610	602.1500 Concrete Steps	130.000 SF	_____.	_____.
0620	606.0200 Riprap Medium	20.000 CY	_____.	_____.



Proposal Schedule of Items

Proposal ID: 20170314006 Project(s): 3897-00-69, 3897-00-70

Federal ID(s): N/A, WISC 2017096

SECTION: 0001 Contract Items

Alt Set ID: Alt Mbr ID:

Proposal Line Number	Item ID Description	Approximate Quantity and Units	Unit Price	Bid Amount
0630	608.0312 Storm Sewer Pipe Reinforced Concrete Class III 12-Inch	300.000 LF	_____.	_____.
0640	608.0315 Storm Sewer Pipe Reinforced Concrete Class III 15-Inch	311.000 LF	_____.	_____.
0650	608.0318 Storm Sewer Pipe Reinforced Concrete Class III 18-Inch	155.000 LF	_____.	_____.
0670	608.0324 Storm Sewer Pipe Reinforced Concrete Class III 24-Inch	105.000 LF	_____.	_____.
0680	608.0330 Storm Sewer Pipe Reinforced Concrete Class III 30-Inch	142.000 LF	_____.	_____.
0690	608.0336 Storm Sewer Pipe Reinforced Concrete Class III 36-Inch	872.000 LF	_____.	_____.
0700	608.0342 Storm Sewer Pipe Reinforced Concrete Class III 42-Inch	46.000 LF	_____.	_____.
0710	608.0348 Storm Sewer Pipe Reinforced Concrete Class III 48-Inch	14.000 LF	_____.	_____.
0720	610.0138 Storm Sewer Pipe Reinforced Concrete Horizontal Elliptical Class HE-III 38x60-Inch	204.000 LF	_____.	_____.
0730	611.0530 Manhole Covers Type J	20.000 EACH	_____.	_____.
0740	611.0612 Inlet Covers Type C	3.000 EACH	_____.	_____.
0750	611.0624 Inlet Covers Type H	41.000 EACH	_____.	_____.
0760	611.0642 Inlet Covers Type MS	3.000 EACH	_____.	_____.
0770	611.2004 Manholes 4-FT Diameter	9.000 EACH	_____.	_____.



Proposal Schedule of Items

Proposal ID: 20170314006 Project(s): 3897-00-69, 3897-00-70

Federal ID(s): N/A, WISC 2017096

SECTION: 0001 Contract Items

Alt Set ID: Alt Mbr ID:

Proposal Line Number	Item ID Description	Approximate Quantity and Units	Unit Price	Bid Amount
0780	611.2005 Manholes 5-FT Diameter	4.000 EACH	_____.	_____.
0790	611.2006 Manholes 6-FT Diameter	1.000 EACH	_____.	_____.
0800	611.2007 Manholes 7-FT Diameter	6.000 EACH	_____.	_____.
0810	611.2008 Manholes 8-FT Diameter	4.000 EACH	_____.	_____.
0820	611.2066 Manholes 6x6-FT	1.000 EACH	_____.	_____.
0830	611.3230 Inlets 2x3-FT	40.000 EACH	_____.	_____.
0840	611.3901 Inlets Median 1 Grate	3.000 EACH	_____.	_____.
0850	614.0805 Crash Cushions Permanent Low Maintenance	2.000 EACH	_____.	_____.
0860	616.0700.S Fence Safety	500.000 LF	_____.	_____.
0870	619.1000 Mobilization	1.000 EACH	_____.	_____.
0880	623.0200 Dust Control Surface Treatment	20,698.000 SY	_____.	_____.
0890	624.0100 Water	242.680 MGAL	_____.	_____.
0900	625.0500 Salvaged Topsoil	6,431.000 SY	_____.	_____.
0910	627.0200 Mulching	1,248.000 SY	_____.	_____.
0920	628.1504 Silt Fence	376.000 LF	_____.	_____.
0930	628.1520 Silt Fence Maintenance	376.000 LF	_____.	_____.



Proposal Schedule of Items

Proposal ID: 20170314006 Project(s): 3897-00-69, 3897-00-70

Federal ID(s): N/A, WISC 2017096

SECTION: 0001 Contract Items

Alt Set ID: Alt Mbr ID:

Proposal Line Number	Item ID Description	Approximate Quantity and Units	Unit Price	Bid Amount
0940	628.1905 Mobilizations Erosion Control	6.000 EACH	_____.	_____.
0950	628.1910 Mobilizations Emergency Erosion Control	6.000 EACH	_____.	_____.
0960	628.2008 Erosion Mat Urban Class I Type B	5,149.000 SY	_____.	_____.
0970	628.2039 Erosion Mat Class III Type D	583.000 SY	_____.	_____.
0980	628.7005 Inlet Protection Type A	4.000 EACH	_____.	_____.
0990	628.7010 Inlet Protection Type B	1.000 EACH	_____.	_____.
1000	628.7015 Inlet Protection Type C	44.000 EACH	_____.	_____.
1010	628.7504 Temporary Ditch Checks	144.000 LF	_____.	_____.
1020	628.7555 Culvert Pipe Checks	25.000 EACH	_____.	_____.
1030	628.7560 Tracking Pads	4.000 EACH	_____.	_____.
1040	629.0210 Fertilizer Type B	4.800 CWT	_____.	_____.
1050	630.0120 Seeding Mixture No. 20	88.000 LB	_____.	_____.
1060	630.0140 Seeding Mixture No. 40	78.000 LB	_____.	_____.
1070	630.0200 Seeding Temporary	17.000 LB	_____.	_____.
1080	633.5200 Markers Culvert End	12.000 EACH	_____.	_____.
1090	634.0614 Posts Wood 4x6-Inch X 14-FT	12.000 EACH	_____.	_____.
1100	634.0616 Posts Wood 4x6-Inch X 16-FT	6.000 EACH	_____.	_____.



Proposal Schedule of Items

Proposal ID: 20170314006 Project(s): 3897-00-69, 3897-00-70

Federal ID(s): N/A, WISC 2017096

SECTION: 0001 Contract Items

Alt Set ID: Alt Mbr ID:

Proposal Line Number	Item ID Description	Approximate Quantity and Units	Unit Price	Bid Amount
1110	634.0810 Posts Tubular Steel 2x2-Inch X 10-FT	2.000 EACH	_____.	_____.
1120	634.0811 Posts Tubular Steel 2x2-Inch X 11-FT	11.000 EACH	_____.	_____.
1130	634.0812 Posts Tubular Steel 2x2-Inch X 12-FT	9.000 EACH	_____.	_____.
1140	634.0814 Posts Tubular Steel 2x2-Inch X 14-FT	6.000 EACH	_____.	_____.
1150	637.0620 Sign Flags Permanent Type II	2.000 EACH	_____.	_____.
1160	637.2210 Signs Type II Reflective H	168.300 SF	_____.	_____.
1170	637.2230 Signs Type II Reflective F	98.250 SF	_____.	_____.
1180	638.2602 Removing Signs Type II	44.000 EACH	_____.	_____.
1190	638.3000 Removing Small Sign Supports	42.000 EACH	_____.	_____.
1200	642.5001 Field Office Type B	1.000 EACH	_____.	_____.
1210	643.0100 Traffic Control (project) 01. 3897-00-70	1.000 EACH	_____.	_____.
1220	643.0300 Traffic Control Drums	9,000.000 DAY	_____.	_____.
1230	643.0420 Traffic Control Barricades Type III	10,980.000 DAY	_____.	_____.
1240	643.0705 Traffic Control Warning Lights Type A	9,360.000 DAY	_____.	_____.
1250	643.0900 Traffic Control Signs	6,300.000 DAY	_____.	_____.
1260	643.0920 Traffic Control Covering Signs Type II	5.000 EACH	_____.	_____.



Proposal Schedule of Items

Proposal ID: 20170314006 Project(s): 3897-00-69, 3897-00-70

Federal ID(s): N/A, WISC 2017096

SECTION: 0001 Contract Items

Alt Set ID: Alt Mbr ID:

Proposal Line Number	Item ID Description	Approximate Quantity and Units	Unit Price	Bid Amount
1270	643.2000 Traffic Control Detour (project) 01. 3897-00-70	1.000 EACH	_____.	_____.
1280	643.3000 Traffic Control Detour Signs	14,940.000 DAY	_____.	_____.
1290	644.1410.S Temporary Pedestrian Surface Asphalt	200.000 SF	_____.	_____.
1300	644.1420.S Temporary Pedestrian Surface Plywood	200.000 SF	_____.	_____.
1310	644.1430.S Temporary Pedestrian Surface Plate	200.000 SF	_____.	_____.
1320	644.1601.S Temporary Curb Ramp	8.000 EACH	_____.	_____.
1330	644.1616.S Temporary Pedestrian Safety Fence	825.000 LF	_____.	_____.
1340	645.0111 Geotextile Type DF Schedule A	36.000 SY	_____.	_____.
1350	645.0120 Geotextile Type HR	55.000 SY	_____.	_____.
1360	646.0106 Pavement Marking Epoxy 4-Inch	12,077.000 LF	_____.	_____.
1370	647.0256 Pavement Marking Symbols Epoxy	6.000 EACH	_____.	_____.
1380	647.0526 Pavement Marking Yield Line Symbols Epoxy 18-Inch	12.000 EACH	_____.	_____.
1390	647.0566 Pavement Marking Stop Line Epoxy 18-Inch	51.000 LF	_____.	_____.
1400	647.0656 Pavement Marking Parking Stall Epoxy	186.000 LF	_____.	_____.
1410	647.0776 Pavement Marking Crosswalk Epoxy 12-Inch	524.000 LF	_____.	_____.
1420	650.4000 Construction Staking Storm Sewer	70.000 EACH	_____.	_____.



Proposal Schedule of Items

Proposal ID: 20170314006 Project(s): 3897-00-69, 3897-00-70

Federal ID(s): N/A, WISC 2017096

SECTION: 0001 Contract Items

Alt Set ID: Alt Mbr ID:

Proposal Line Number	Item ID Description	Approximate Quantity and Units	Unit Price	Bid Amount
1430	650.4500 Construction Staking Subgrade	5,337.000 LF	_____.	_____.
1440	650.5000 Construction Staking Base	432.000 LF	_____.	_____.
1450	650.5500 Construction Staking Curb Gutter and Curb & Gutter	284.000 LF	_____.	_____.
1460	650.6000 Construction Staking Pipe Culverts	5.000 EACH	_____.	_____.
1470	650.7000 Construction Staking Concrete Pavement	5,171.000 LF	_____.	_____.
1480	650.9910 Construction Staking Supplemental Control (project) 01. 3897-00-70	LS	LUMP SUM	_____.
1490	650.9920 Construction Staking Slope Stakes	5,337.000 LF	_____.	_____.
1500	690.0150 Sawing Asphalt	2,808.000 LF	_____.	_____.
1510	690.0250 Sawing Concrete	1,113.000 LF	_____.	_____.
1520	715.0415 Incentive Strength Concrete Pavement	5,063.000 DOL	1.00000	5,063.00
1530	999.1000.S Seismograph	LS	LUMP SUM	_____.
1540	999.1500.S Crack and Damage Survey	LS	LUMP SUM	_____.
1550	ASP.1T0A On-the-Job Training Apprentice at \$5.00/HR	425.000 HRS	5.00000	2,125.00
1560	ASP.1T0G On-the-Job Training Graduate at \$5.00/HR	350.000 HRS	5.00000	1,750.00
1570	SPV.0035 Special 01. Trench Rock Excavation	100.000 CY	_____.	_____.



Proposal Schedule of Items

Proposal ID: 20170314006 Project(s): 3897-00-69, 3897-00-70

Federal ID(s): N/A, WISC 2017096

SECTION: 0001 Contract Items

Alt Set ID: Alt Mbr ID:

Proposal Line Number	Item ID Description	Approximate Quantity and Units	Unit Price	Bid Amount
1580	SPV.0060 Special 01. Inlet Covers Type 2H	1.000 EACH	_____.	_____.
1590	SPV.0060 Special 03. Utility Line Opening (ULO)	9.000 EACH	_____.	_____.
1600	SPV.0060 Special 04. Remove Ex. Sanitary Manhole	13.000 EACH	_____.	_____.
1610	SPV.0060 Special 05. Remove Ex. Gate Valve Box	14.000 EACH	_____.	_____.
1620	SPV.0060 Special 06. Remove Ex. Hydrant	5.000 EACH	_____.	_____.
1630	SPV.0060 Special 07. Sanitary Manhole	13.000 EACH	_____.	_____.
1640	SPV.0060 Special 08. Sanitary Drop Manhole	1.000 EACH	_____.	_____.
1650	SPV.0060 Special 09. Sanitary MH Covers Type J	14.000 EACH	_____.	_____.
1660	SPV.0060 Special 10. Sanitary Wye 8-Inch Main	16.000 EACH	_____.	_____.
1670	SPV.0060 Special 11. Water Valve & Box 4-Inch	1.000 EACH	_____.	_____.
1680	SPV.0060 Special 12. Water Valve & Box 6-Inch	9.000 EACH	_____.	_____.
1690	SPV.0060 Special 13. Water Valve & Box 8-Inch	14.000 EACH	_____.	_____.
1700	SPV.0060 Special 14. Water Valve & Box 12-Inch	1.000 EACH	_____.	_____.
1710	SPV.0060 Special 15. Fire Hydrant	9.000 EACH	_____.	_____.
1720	SPV.0060 Special 16. Tees 8"x8"x8"	2.000 EACH	_____.	_____.
1730	SPV.0060 Special 17. Tees 8"x6"x8"	9.000 EACH	_____.	_____.



Proposal Schedule of Items

Proposal ID: 20170314006 Project(s): 3897-00-69, 3897-00-70

Federal ID(s): N/A, WISC 2017096

SECTION: 0001 Contract Items

Alt Set ID: Alt Mbr ID:

Proposal Line Number	Item ID Description	Approximate Quantity and Units	Unit Price	Bid Amount
1740	SPV.0060 Special 18. Tees 12"x4"x12"	1.000 EACH	_____.	_____.
1750	SPV.0060 Special 19. Tees 12"x12"x12"	1.000 EACH	_____.	_____.
1760	SPV.0060 Special 20. Crosses 8"x8"	1.000 EACH	_____.	_____.
1770	SPV.0060 Special 21. Crosses 12"x8"	1.000 EACH	_____.	_____.
1780	SPV.0060 Special 22. Bend 11.25-Degree 6-Inch	1.000 EACH	_____.	_____.
1790	SPV.0060 Special 23. Bend 11.25-Degree 8-Inch	3.000 EACH	_____.	_____.
1800	SPV.0060 Special 24. Bend 22.5-Degree 8-Inch	8.000 EACH	_____.	_____.
1810	SPV.0060 Special 25. Bend 45-Degree 8-Inch	14.000 EACH	_____.	_____.
1820	SPV.0060 Special 26. Reducer 8"x6"	5.000 EACH	_____.	_____.
1830	SPV.0060 Special 27. Reducer 12"x8"	2.000 EACH	_____.	_____.
1840	SPV.0060 Special 28. Plug 8-Inch	1.000 EACH	_____.	_____.
1850	SPV.0060 Special 29. Corporation, Curb Stop & Box (Set)	43.000 EACH	_____.	_____.
1860	SPV.0060 Special 31. Concrete Collar/Headwall	1.000 EACH	_____.	_____.
1870	SPV.0060 Special 32. Connection to Residential Sump	1.000 EACH	_____.	_____.
1880	SPV.0060 Special 33. Connection to Drain Tile	1.000 EACH	_____.	_____.
1890	SPV.0090 Special 01. Railing Pedestrian Steel	664.000 LF	_____.	_____.



Proposal Schedule of Items

Proposal ID: 20170314006 Project(s): 3897-00-69, 3897-00-70

Federal ID(s): N/A, WISC 2017096

SECTION: 0001 Contract Items

Alt Set ID: Alt Mbr ID:

Proposal Line Number	Item ID Description	Approximate Quantity and Units	Unit Price	Bid Amount
1900	SPV.0090 Special 02. Fence Chain Link Polymer-Coated 4-FT	282.000 LF	_____.	_____.
1910	SPV.0090 Special 03. Modified Pedestrian Curb, 12-Inch	153.000 LF	_____.	_____.
1920	SPV.0090 Special 05. Forcemain Sewer Pipe 4-Inch	500.000 LF	_____.	_____.
1930	SPV.0090 Special 06. Forcemain Sewer Pipe 6-Inch	500.000 LF	_____.	_____.
1940	SPV.0090 Special 07. Sanitary Sewer Pipe 8-Inch	873.000 LF	_____.	_____.
1950	SPV.0090 Special 08. Sanitary Lateral 4-Inch or 6-Inch	425.000 LF	_____.	_____.
1960	SPV.0090 Special 09. Water Main 4-Inch PVC	25.000 LF	_____.	_____.
1970	SPV.0090 Special 10. Water Main 6-Inch PVC	172.000 LF	_____.	_____.
1980	SPV.0090 Special 11. Water Main 8-Inch PVC	3,403.000 LF	_____.	_____.
1990	SPV.0090 Special 12. Water Main 8-Inch DI	132.000 LF	_____.	_____.
2000	SPV.0090 Special 13. Water Main 12-Inch PVC	136.000 LF	_____.	_____.
2010	SPV.0090 Special 14. Water Service 1-Inch To 2-Inch	1,208.000 LF	_____.	_____.
2020	SPV.0105 Special 02. Concrete Pavement Joint Layout	LS	LUMP SUM	_____.
2030	SPV.0120 Special 01. Water for Seeded Areas	170.000 MGAL	_____.	_____.
2040	SPV.0165 Special 01. Wall Modular Block Gravity LRFD	2,753.000 SF	_____.	_____.



Proposal Schedule of Items

Proposal ID: 20170314006 Project(s): 3897-00-69, 3897-00-70

Federal ID(s): N/A, WISC 2017096

SECTION: 0001 Contract Items

Alt Set ID: Alt Mbr ID:

Proposal Line Number	Item ID Description	Approximate Quantity and Units	Unit Price	Bid Amount
2050	SPV.0165 Special 02. Concrete Sidewalk Special	2,756.000 SF	_____.	_____.
2060	SPV.0165 Special 03. Coarse Aggregate Stone Mulch	291.000 SF	_____.	_____.
2070	SPV.0165 Special 04. Salvage and Reset Landscaping	118.000 SF	_____.	_____.
2080	SPV.0165 Special 05. Removing & Salvaging Modular Block Retaining Wall	24.000 SF	_____.	_____.
2090	SPV.0195 Special 01. Excavation, Hauling, Disposal and Dewatering of Contaminated Sediment	1,255.000 TON	_____.	_____.
2100	608.0412 Storm Sewer Pipe Reinforced Concrete Class IV 12-Inch	514.000 LF	_____.	_____.
2110	608.0415 Storm Sewer Pipe Reinforced Concrete Class IV 15-Inch	388.000 LF	_____.	_____.
2120	608.0418 Storm Sewer Pipe Reinforced Concrete Class IV 18-Inch	101.000 LF	_____.	_____.
2130	608.0421 Storm Sewer Pipe Reinforced Concrete Class IV 21-Inch	412.000 LF	_____.	_____.
2140	608.0424 Storm Sewer Pipe Reinforced Concrete Class IV 24-Inch	235.000 LF	_____.	_____.
2150	608.0436 Storm Sewer Pipe Reinforced Concrete Class IV 36-Inch	161.000 LF	_____.	_____.
Section: 0001			Total:	_____.
			Total Bid:	_____.

