



Wisconsin Department of Transportation

Division of Transportation Systems Development

Bureau of Project Development
 4802 Sheboygan Avenue, Rm 601
 P O Box 7916
 Madison, WI 53707-7916

Telephone: (608) 266-1631
 Facsimile (FAX): (608) 266-8459

March 5, 2017

NOTICE TO ALL CONTRACTORS:

Proposal #15: 2504-00-71, WISC 2017 104
North 91st Street
W. Mill Rd. – W. Good Hope Rd.
Local Street
Milwaukee County

Letting of March 14, 2017

This is Addendum No. 01, which provides for the following:

Special Provisions:

Revised Special Provisions	
Article No.	Description
4	Traffic

Schedule of Items:

Revised Bid Item Quantities					
Bid Item	Item Description	Unit	Old Quantity	Revised Quantity	Proposal Total
305.0120	Base Aggregate Dense 1-1/4 Inch	TON	37,402	9,354	46,756
415.0080	Concrete Pavement 8-Inch	SY	43,541	1,662	45,203
643.0300	Traffic Control Drums	DAY	37,254	175	37,429
643.0420	Traffic Control Barricades Type III	DAY	24,366	3,004	27,370
643.0705	Traffic Control Warning Lights Type A	DAY	48,732	6,008	54,740
643.0715	Traffic Control Warning Lights Type C	DAY	37,254	175	37,429
643.0900	Traffic Control Signs	DAY	12,321	2,358	14,679
SPV.0090.13	Concrete Curb & Gutter Integral 18-Inch Modified	LF	14,320	-4,720	9,600

Added Bid Item Quantities					
Bid Item	Item Description	Unit	Old Quantity	Revised Quantity	Proposal Total
601.0342	Concrete Curb & Gutter Integral 18-Inch	LF	0	4,720	4,720
643.1050	Traffic Control Signs PCMS	DAY	0	9	9

Plan Sheets:

Revised Plan Sheets	
Plan Sheet	Plan Sheet Title (brief description of changes to sheet)
9	Base Aggregate Dense 1-1/4 Inch under access road revised to 6" depth
127-138	Switched Traffic Control Stages 3 & 4; also added details to close southbound N 91 st Street during paving operations only (shown as Stages 4A and 4B)
141,142	Switched typical section view of Traffic Control Stages 3 & 4
155	Miscellaneous Quantities – revised quantities of 305.0120
156	Miscellaneous Quantities – revised quantities of 415.0080
157	Miscellaneous Quantities – revised quantities of SPV.0090.13 and 601.0342
165	Miscellaneous Quantities – revised quantities for 643.0300, 643.0420, 643.0705, 643.0715, 643.0900 and added item 643.1050
181	Revised bubble notes "W" & "P" to "D"

The responsibility for notifying potential subcontractors and suppliers of these changes remains with the prime contractor.

Sincerely,

Mike Coleman

Proposal Development Specialist
Proposal Management Section

ADDENDUM NO. 01

2504-00-71

March 5, 2017

Special Provisions

4. Traffic

*Replace section titled **Stage 3** with the following:*

Stage 3 shall be work on the western portion of the existing southbound roadway, with one lane open to southbound traffic. Northbound traffic will remain open on the eastern main roadway and service roadways.

*Replace section titled **Stage 4** with the following:*

Stage 4 shall be work on the remaining eastern portion of the southbound roadway, with one lane open to southbound traffic. Northbound traffic will remain open on the eastern main roadway and service roadways. Traffic on N. 91st Street shall be maintained at all times except as hereinafter provided. The following closures will be allowed during the weekday hours of 8:00 a.m. to 4:30 p.m.:

- o Full closure of Southbound N. 91st Street for construction of roadway

Contractor shall construct the southbound lanes in 2 stages over two consecutive calendar days. Stage 4A shall construct the southbound lanes from W. Good Hope Road to W. Denver Avenue. Stage 4B shall construct the southbound lanes from W. Denver Avenue to W. Mill Road.

Contacto shall notify the engineer at least five (5) working days in advance of his intent to close lanes on N. 91st Street. Contractor shall install Portable Changeable Message Sign (PCMS) three (3) calendar days prior to closures of southbound N. 91st Street. Contractor shall inform property owners and notify Milwaukee County Transit at least 48 hours prior to closures of southbound N. 91st Street. Contractor shall notify all emergency government units at least 24 hours prior to the closure.

If the contractor fails to open all lanes of traffic by the specified times, then a reduction of \$300.00 per hour of closure violations during the peak hours will be made from monies due him. The reduction shall be a \$150.00 reduction rate for each 30-minute increment during which the lane closure violation occurs.

Schedule of Items

Attached, dated March 5, 2017, are the revised Schedule of Items Pages 1 – 13.

Plan Sheets

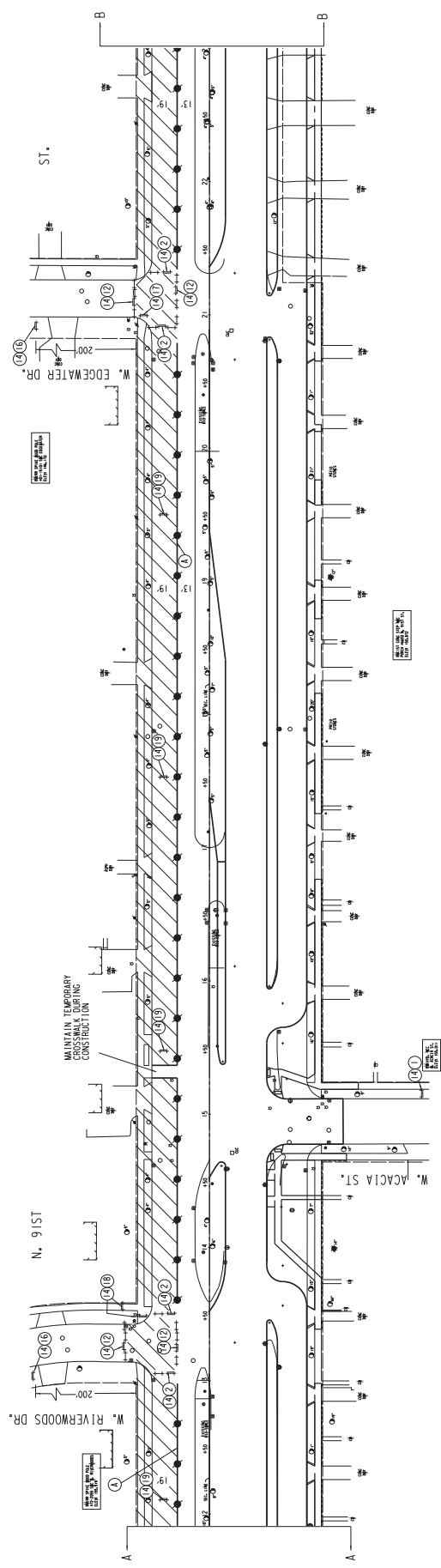
The following 8½ x 11-inch sheets are attached and made part of the plans for this proposal:
Revised: 9, 127-138, 141-142, 155-157, 165, and 181.

END OF ADDENDUM



STAGE 3
























NOTE: CONTRACTOR MUST MAINTAIN ACCESS TO EITHER W. RIVERWOODS DR. OR W. EDGEWATER DR. CANNOT CLOSE BOTH STREETS AT THE SAME TIME.



Addendum No. 01
ID 2504-00-71
Revised Sheet 128
March 5, 2017

(A) TPA, REMOVABLE TAPE, 4" WHITE

NOTE: ALL SIGNING SHALL BE THE CONTRACTORS RESPONSIBILITY. ALL SIGNS SHALL BE BANNED TO EXISTING UTILITY POLES UNLESS OTHERWISE NOTED. CONTRACTOR RESPONSIBLE FOR COVERING ALL CONFLICTING PAVEMENT MARKINGS. CONTRACTOR RESPONSIBLE FOR COVERING ALL SIGNS THAT ARE IN CONFLICT WITH TEMPORARY TRAFFIC CONTROL SIGNS. CONTRACTOR MUST MAINTAIN ACCESS TO DRIVEWAYS. CONTRACTOR MUST MAINTAIN ACCESS TO EITHER W. RIVERWOODS DR. OR W. EDGEWATER DR. CANNOT CLOSE BOTH STREETS AT THE SAME TIME.

         	       	    
--	--	--

RIGHT LANE MUST TURN RIGHT 30' X 30"

DRUMS W/LIGHTS 30' SPACING

TYPE III BARRICADES

TYPE III BARRICADES W/ SIGN

SIGNS BANNED TO UTILITY POLE

WORK AREA UNDER TRAFFIC FLAGGING TO OCCUR

DIRECTION OF TRAFFIC

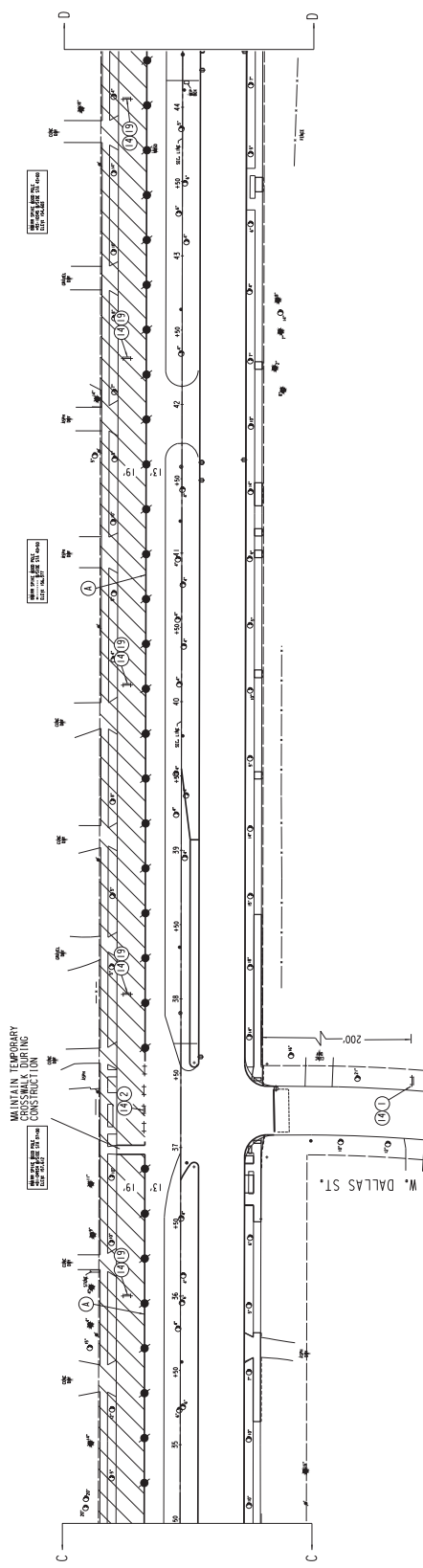
TUBULAR MARKERS 25' SPACING



STAGE 3

N. 91ST ST.

ST.



(A) TPM, REMOVABLE TAPE, 4" WHITE

NOTE: ALL SIGNING SHALL BE THE CONTRACTORS RESPONSIBILITY. ALL SIGNS SHALL BE BANDED TO EXISTING UTILITY POLES UNLESS OTHERWISE NOTED. CONTRACTOR RESPONSIBLE FOR COVERING ALL CONFLICTING PAVEMENT MARKINGS. CONTRACTOR RESPONSIBLE FOR COVERING ALL SIGNS THAT ARE IN CONFLICT WITH TEMPORARY TRAFFIC CONTROL SIGNS. CONTRACTOR MUST MAINTAIN ACCESS TO DRIVEWAYS. CONTRACTOR MUST MAINTAIN ACCESS TO EITHER W. RIVERWOODS DR. OR W. EDGEWATER DR. CANNOT CLOSE BOTH STREETS AT THE SAME TIME.

 R2-1 WORK AHEAD 36x48	 R5-1 DO NOT ENTER 36x48	 R2-2 ROAD WORK AHEAD 36x48	 R4-1A AHEAD 36x48	 R4-1B AHEAD 36x48	 W1-S-R RIGHT LANE MUST TURN RIGHT 24x48	 R9-10 ROAD CLOSED 24x48	 R2-3A ROAD WORK AHEAD 36x48	 R2-3B ROAD WORK AHEAD 36x48	 W1-E-L LEFT LANE MUST TURN LEFT 24x48
 R3-1R RIGHT LANE MUST TURN RIGHT 30x30	 R11-2 ROAD CLOSED 48x30	 R11-4 ROAD TO BE CLOSED 48x30	 R9-10 ROAD CLOSED 24x48	 R9-9 SHERWALK CLOSED 30x48	 R11-2L LANE CLOSED 48x30	 R11-2 DRUMS W/LIGHTS 30' SPACING	 TYPE III BARRICADES	 TYPE III BARRICADES W/ SIGN	 SIGNS BANDED TO UTILITY POLE

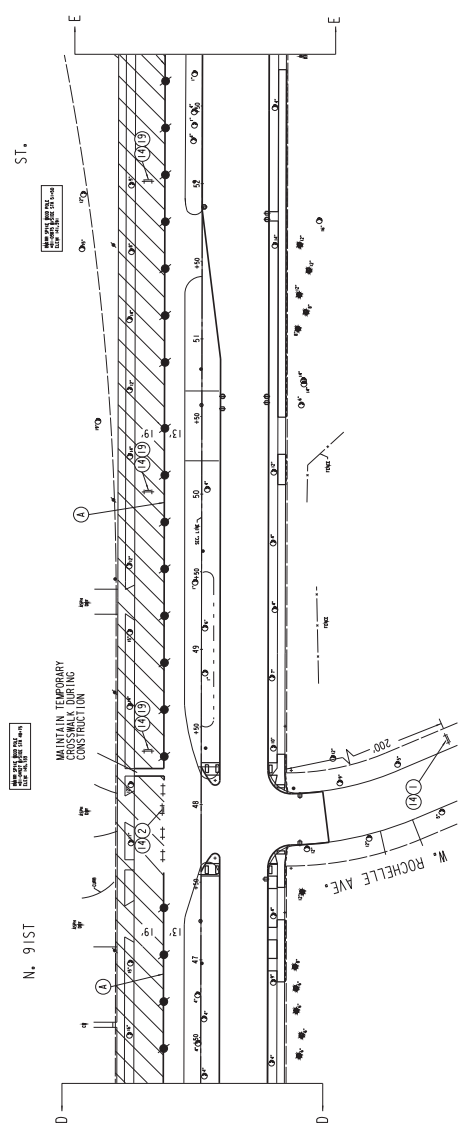
WORK AREA UNDER TRAFFIC FLAGGING TO OCCUR

DIRECTION OF TRAFFIC

TUBULAR MARKERS 25' SPACING

Addendum No. 01
 ID 2504-00-71
 Revised Sheet 130
 March 5, 2017

STAGE 3



Addendum No. 01
 ID 2504-00-71
 Revised Sheet 131
 March 5, 2017

(A) TPM, REMOVABLE TAPE, 4" WHITE

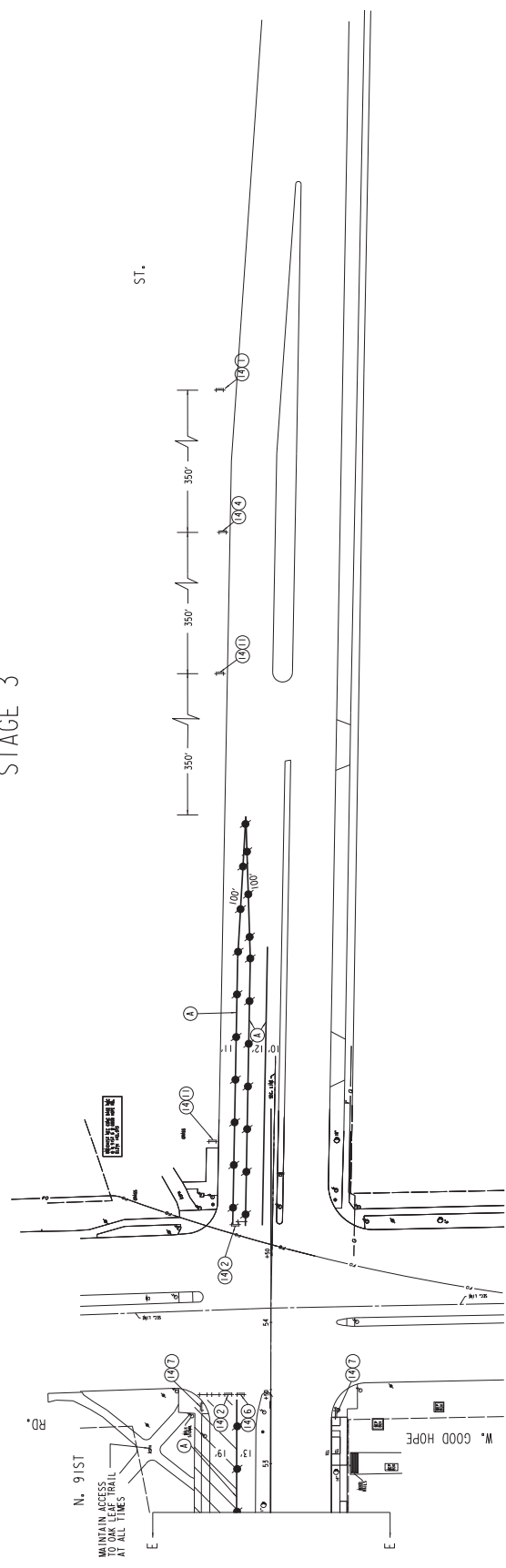
NOTE: ALL SIGNING SHALL BE THE CONTRACTORS RESPONSIBILITY. ALL SIGNS SHALL BE BANNED TO EXISTING UTILITY POLES UNLESS OTHERWISE NOTED. CONTRACTOR RESPONSIBLE FOR COVERING ALL CONFLICTING PAVENT MARKINGS. CONTRACTOR RESPONSIBLE FOR COVERING ALL SIGNS THAT ARE IN CONFLICT WITH TEMPORARY TRAFFIC CONTROL SIGNS. CONTRACTOR MUST MAINTAIN ACCESS TO DRIVEWAYS. CONTRACTOR MUST MAINTAIN ACCESS TO EITHER W. RIVERWOODS DR. OR W. EDGEWATER DR. CANNOT CLOSE BOTH STREETS AT THE SAME TIME.

 1 AHEAD WORK AHEAD 30' X 30'	 2 DO NOT ENTER 30' X 30'	 3 ROAD WORK AHEAD 30' X 30'	 4 AHEAD WORK AHEAD 30' X 30'	 5 AHEAD WORK AHEAD 30' X 30'	 6 RIGHT LANE MUST TURN RIGHT 30' X 30'	 7 ROAD CLOSED 48' X 30'	 8 ROAD CLOSED TO TRUCKS 40' X 30'	 9 ROAD CLOSED 48' X 30'	 10 ROAD CLOSED 30' X 18'	 11 RIGHT LANE MUST TURN RIGHT 30' X 30'	 12 ROAD CLOSED 48' X 30'	 13 ROAD CLOSED TO TRUCKS 40' X 30'	 14 ROAD CLOSED 48' X 30'	 15 ROAD CLOSED 30' X 18'	 16 ROAD CLOSED TO TRUCKS 40' X 30'	 17 ROAD CLOSED 48' X 30'	 18 ROAD CLOSED 30' X 18'	 19 LANE CLOSED 48' X 30'
--	------------------------------------	---------------------------------------	--	--	--	-----------------------------------	---	-----------------------------------	------------------------------------	---	------------------------------------	--	------------------------------------	------------------------------------	--	------------------------------------	------------------------------------	------------------------------------

DRUMS W/LIGHTS 30' SPACING
 TYPE III BARRICADES
 TYPE III BARRICADES W/ SIGN TO UTILITY POLE
 SIGNS BANNED TO UTILITY POLE
 WORK AREA
 WORK AREA UNDER TRAFFIC FLAGGING TO OCCUR
 DIRECTION OF TRAFFIC
 TUBULAR MARKERS 25' SPACING



STAGE 3



Addendum No. 01
ID 2504-00-71
Revised Sheet 132
March 5, 2017

SHEET 6 OF 6

SHEET NO: 132
REVISED: 2-22-2017 BY: AAM

ROAD WORK AHEAD	DO NOT ENTER	END ROAD WORK	ROAD CLOSED AHEAD	ROAD CLOSED AHEAD	24' X 48"	24' X 48"	36' X 36"	36' X 36"	24' X 48"	36' X 36" MUST TURN RIGHT	30' X 30' DRUMS W/ LIGHTS 30' SPACING	30' X 30' DRUMS W/ LIGHTS 30' SPACING	30' X 30' TYPE III BARRICADES	30' X 30' TYPE III BARRICADES W/ SIGN	30' X 30' TYPE III BARRICADES W/ SIGN	30' X 30' WORK AREA UNDER TRAFFIC FLAGGING TO OCCUR	30' X 30' WORK AREA UNDER TRAFFIC FLAGGING TO OCCUR	30' X 30' SIGN ONLY CLOSED	R11-2-L LANE CLOSED AHEAD

NOTE:
 ALL SIGNING SHALL BE THE CONTRACTOR'S RESPONSIBILITY. ALL SIGNS SHALL BE BANNED TO EXISTING UTILITY POLES UNLESS OTHERWISE NOTED.
 CONTRACTOR RESPONSIBLE FOR COVERING ALL CONFLICTING PAVEMENT MARKINGS.
 CONTRACTOR RESPONSIBLE FOR COVERING ALL SIGNS THAT ARE IN CONFLICT WITH TEMPORARY TRAFFIC CONTROL SIGNS
 CONTRACTOR MUST MAINTAIN ACCESS TO DRIVEWAYS
 CONTRACTOR MUST MAINTAIN ACCESS TO EITHER W. RIVERWOODS DR. OR W. EDGEWATER DR.
 CANNOT CLOSE BOTH STREETS AT THE SAME TIME.

(A) TPM, REMOVABLE TAPE, 4" WHITE

SCALE FEET 0' 80'

TRAFFIC CONTROL - STAGE 3

COUNTY: MILWAUKEE

HWY: N. 91ST ST.

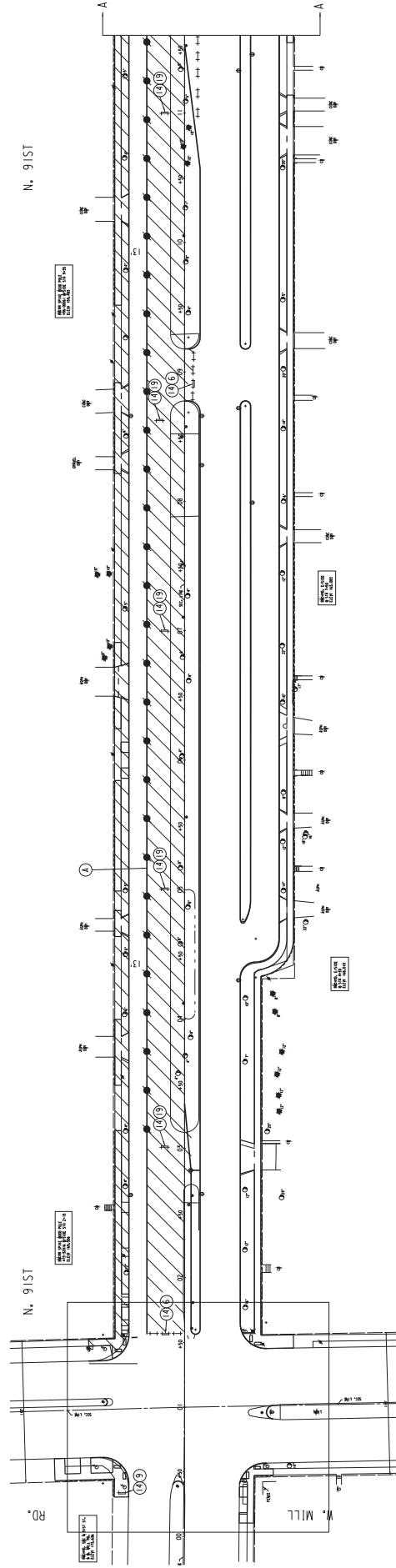
STATE PROJECT NUMBER 2504-00-71

TITLE NAME: N. 91ST ST. & W. GOOD HOPE RD. TRAFFIC CONTROL - DGN



STAGE 4

INTERSECTION TO BE DONE IN 4 STAGES
MILL AND PATCH MILL AND PATCH
MILL AND PATCH



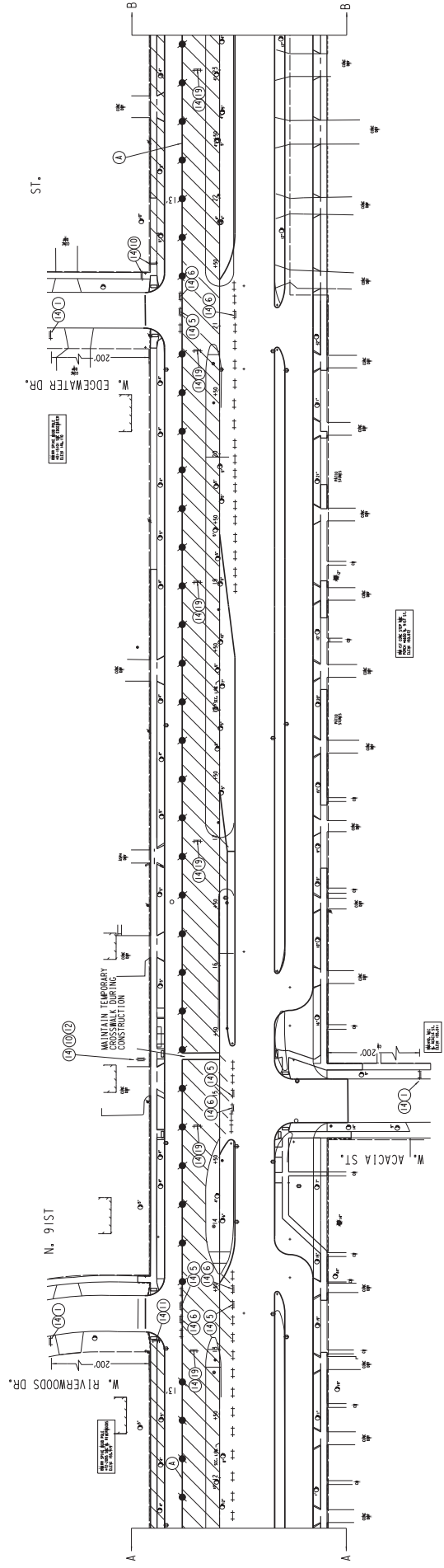
Addendum No. 01
 ID 2504-00-71
 Revised Sheet 133
 March 5, 2017

DRUMS W/LIGHTS 30" SPACING
 TYPE III BARRICADES
 TYPE III BARRICADES W/ STON TO UTILITY POLE
 PORTABLE CHANGE MESSAGE SIGN
 WORK AREA
 PAVEMENT GAP
 DIRECTION OF TRAFFIC
 TUBULAR MARKERS 25" SPACING

(A) TPM, REMOVABLE TAPE, 4" WHITE
 NOTE: ALL SIGNING SHALL BE THE CONTRACTORS RESPONSIBILITY. ALL SIGNS SHALL BE BANNED TO EXISTING UTILITY POLES UNLESS OTHERWISE NOTED. CONTRACTOR RESPONSIBLE FOR COVERING ALL CONFLICTING PAVEMENT MARKINGS. CONTRACTOR RESPONSIBLE FOR COVERING ALL SIGNS THAT ARE IN CONFLICT WITH TEMPORARY TRAFFIC CONTROL SIGNS
 x STAGE 4A (PAVING OPERATIONS ONLY)
 x x STAGE 4B (PAVING OPERATIONS ONLY)



STAGE 4



Addendum No. 01
ID 2504-00-71
Revised Sheet 134
March 5, 2017

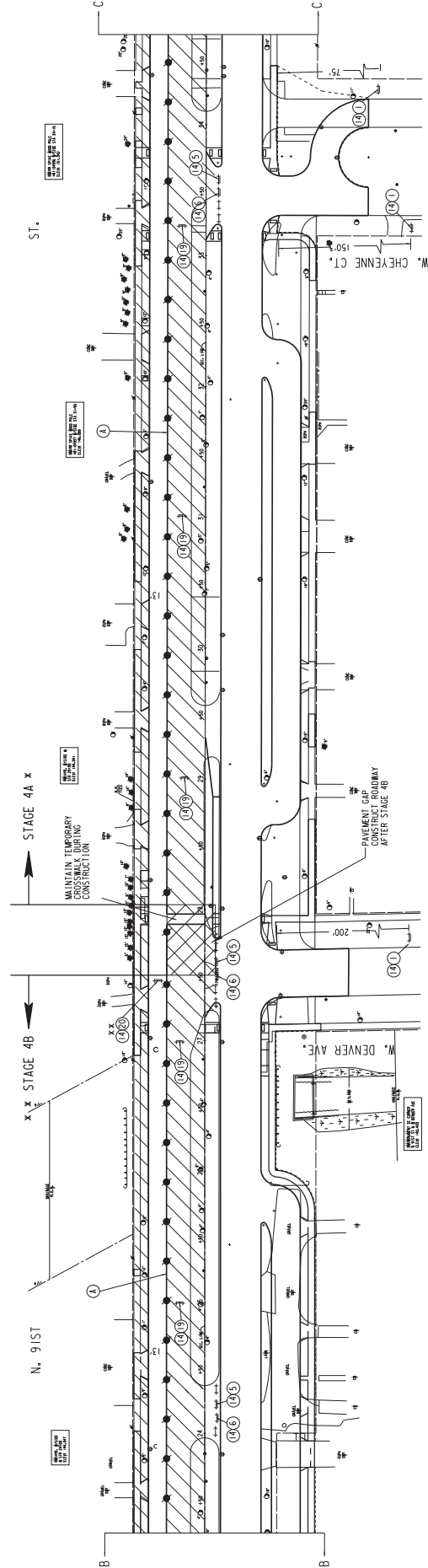
--	--	--	--	--	--	--	--	--	--	--	--	--	--	--	--	--	--	--	--	--	--	--

DRUMS W/LIGHTS 30" SPACING
 TYPE III BARRICADES
 SIGNS BANNED TO UTILITY POLE
 PORTABLE CHANGE MESSAGE SIGN
 WORK AREA
 PAVEMENT GAP
 DIRECTION OF TRAFFIC
 TUBULAR MARKERS 25" SPACING

(A) TFM, REMOVABLE TAPE, 4" WHITE
 NOTE: ALL SIGNING SHALL BE THE CONTRACTORS RESPONSIBILITY. ALL SIGNS SHALL BE BANNED TO EXISTING UTILITY POLES UNLESS OTHERWISE NOTED. CONTRACTOR RESPONSIBLE FOR COVERING ALL CONFLICTING PAVEMENT MARKINGS. CONTRACTOR RESPONSIBLE FOR COVERING ALL SIGNS THAT ARE IN CONFLICT WITH TEMPORARY TRAFFIC CONTROL SIGNS
 x STAGE 4A (PAVING OPERATIONS ONLY)
 x x STAGE 4B (PAVING OPERATIONS ONLY)



STAGE 4



Addendum No. 01
 ID 2504-00-71
 Revised Sheet 135
 March 5, 2017

(1)	(2)	(3)	(4)	(5)	(6)	(7)	(8)	(9)	(10)	(11)	(12)	(13)	(14)	(15)	(16)	(17)	(18)	(19)	(20)	(21)	(22)	(23)
-----	-----	-----	-----	-----	-----	-----	-----	-----	------	------	------	------	------	------	------	------	------	------	------	------	------	------

(A) TPM, REMOVABLE TAPE, 4" WHITE
 NOTE: ALL SIGNING SHALL BE THE CONTRACTORS RESPONSIBILITY. ALL SIGNS SHALL BE BANNED TO EXISTING UTILITY POLES UNLESS OTHERWISE NOTED. CONTRACTOR RESPONSIBLE FOR COVERING ALL CONFLICTING PAVEMENT MARKINGS. CONTRACTOR RESPONSIBLE FOR COVERING ALL SIGNS THAT ARE IN CONFLICT WITH TEMPORARY TRAFFIC CONTROL SIGNS.
 x STAGE 4A (PAVING OPERATIONS ONLY)
 x x STAGE 4B (PAVING OPERATIONS ONLY)

DRUMS W/LIGHTS 30" SPACING
 TYPE III BARRICADES
 SIGNS BANNED TO UTILITY POLE
 PORTABLE CHANGE MESSAGE SIGN
 WORK AREA
 PAVEMENT GAP
 DIRECTION OF TRAFFIC
 TUBULAR MARKERS 25" SPACING

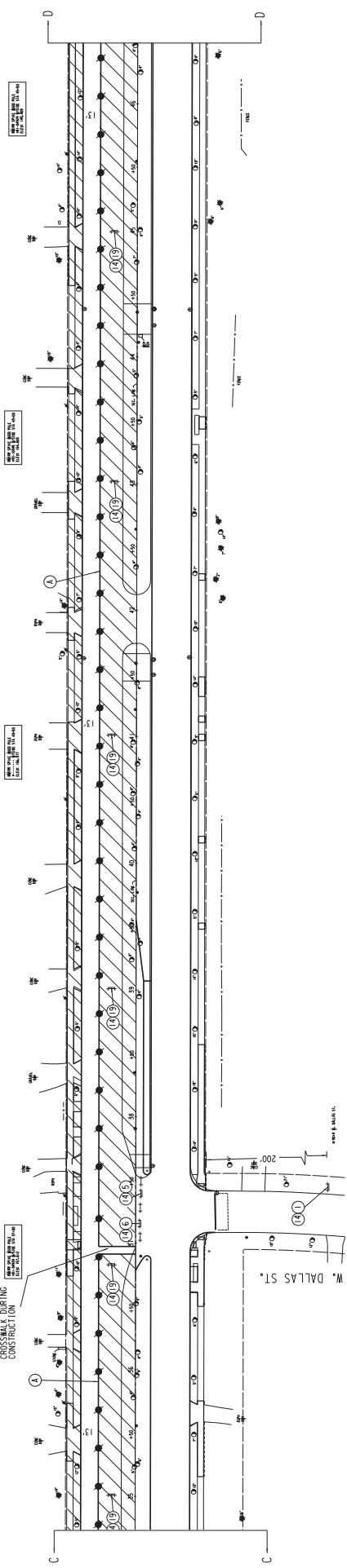


STAGE 4

N. 91ST

MAINTAIN TEMPORARY CROSSWALK DURING CONSTRUCTION

ST.



Addendum No. 01
ID 2504-00-71
Revised Sheet 136
March 5, 2017

R1-1A ROAD AHEAD 36"x42"	R2-1A ROAD CLOSED AHEAD 36"x42"	R2-1B ROAD CLOSED AHEAD 36"x42"	R1-2L LANE CLOSED 48"x30"	R1-2L LANE CLOSED 48"x30"	R1-2L LANE CLOSED 48"x30"	R1-2L LANE CLOSED 48"x30"	R1-2L LANE CLOSED 48"x30"	R1-2L LANE CLOSED 48"x30"	R1-2L LANE CLOSED 48"x30"	R1-2L LANE CLOSED 48"x30"	R1-2L LANE CLOSED 48"x30"	R1-2L LANE CLOSED 48"x30"	R1-2L LANE CLOSED 48"x30"	R1-2L LANE CLOSED 48"x30"	R1-2L LANE CLOSED 48"x30"	R1-2L LANE CLOSED 48"x30"	R1-2L LANE CLOSED 48"x30"	R1-2L LANE CLOSED 48"x30"	R1-2L LANE CLOSED 48"x30"	R1-2L LANE CLOSED 48"x30"	R1-2L LANE CLOSED 48"x30"	R1-2L LANE CLOSED 48"x30"	R1-2L LANE CLOSED 48"x30"

DRUMS W/LIGHTS 30' SPACING

TYPE III BARRICADES ++

TYPE III BARRICADES W/ SIGN

SIGNS BANNED TO UTILITY POLE

PORTABLE CHANGE MESSAGE SIGN

WORK AREA

PAVEMENT GAP

DIRECTION OF TRAFFIC

TUBULAR MARKERS 25' SPACING

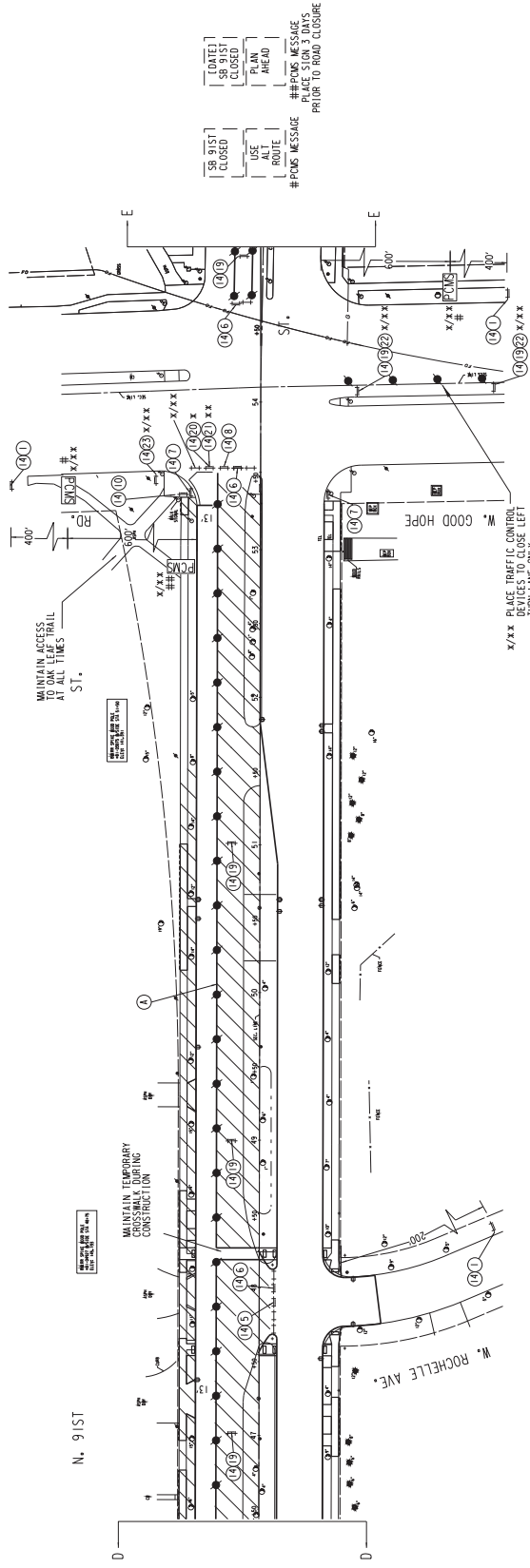
(A) TPM, REMOVABLE TAPE, 4" WHITE

NOTE: ALL SIGNING SHALL BE THE CONTRACTORS RESPONSIBILITY. ALL SIGNS SHALL BE BANNED TO EXISTING UTILITY POLES UNLESS OTHERWISE NOTED. CONTRACTOR RESPONSIBLE FOR COVERING ALL CONFLICTING PAVEMENT MARKINGS. CONTRACTOR RESPONSIBLE FOR COVERING ALL SIGNS THAT ARE IN CONFLICT WITH TEMPORARY TRAFFIC CONTROL SIGNS

x STAGE 4A (PAVING OPERATIONS ONLY)
x x STAGE 4B (PAVING OPERATIONS ONLY)



STAGE 4



ROAD AHEAD	ROAD AHEAD	ROAD AHEAD	ROAD AHEAD	ROAD AHEAD	ROAD AHEAD	ROAD AHEAD	ROAD AHEAD	ROAD AHEAD	ROAD AHEAD	ROAD AHEAD	ROAD AHEAD	ROAD AHEAD	ROAD AHEAD	ROAD AHEAD	ROAD AHEAD	ROAD AHEAD	ROAD AHEAD	ROAD AHEAD	ROAD AHEAD	ROAD AHEAD	ROAD AHEAD	ROAD AHEAD

DRUMS W/LIGHTS 30' SPACING

TYPE III BARRICADES

TYPE III BARRICADES W/ SIGN

SIGNS BANNED TO UTILITY POLE

PORTABLE CHANGE MESSAGE SIGN

WORK AREA

PAVEMENT GAP

DIRECTION OF TRAFFIC

TUBULAR MARKERS 25' SPACING

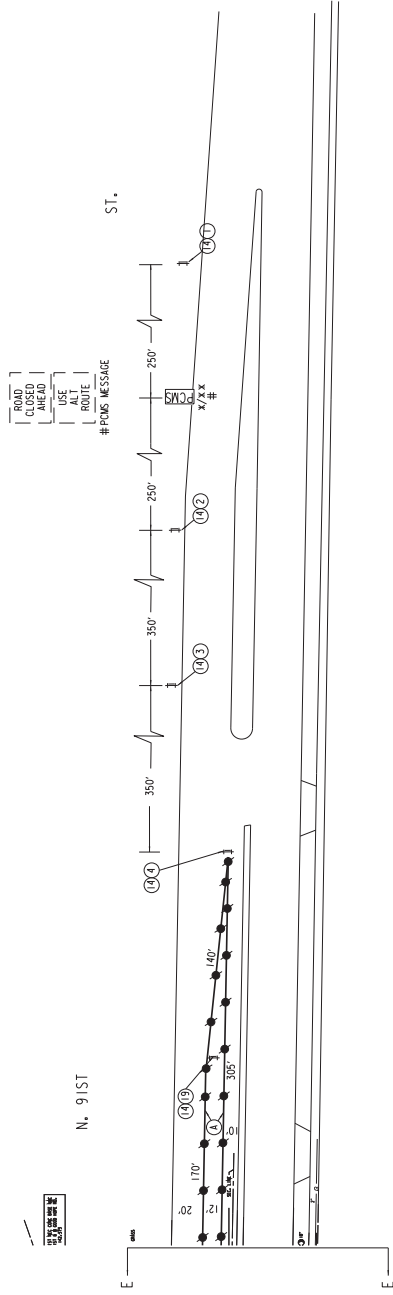
(A) TPM, REMOVABLE TAPE, 4" WHITE

NOTE: ALL SIGNING SHALL BE THE CONTRACTORS RESPONSIBILITY. ALL SIGNS SHALL BE BANNED TO EXISTING UTILITY POLES UNLESS OTHERWISE NOTED. CONTRACTOR RESPONSIBLE FOR COVERING ALL CONFLICTING PAVEMENT MARKINGS. CONTRACTOR RESPONSIBLE FOR COVERING ALL SIGNS THAT ARE IN CONFLICT WITH TEMPORARY TRAFFIC CONTROL SIGNS

x STAGE 4A (PAVING OPERATIONS ONLY)
 x x STAGE 4B (PAVING OPERATIONS ONLY)



STAGE 4

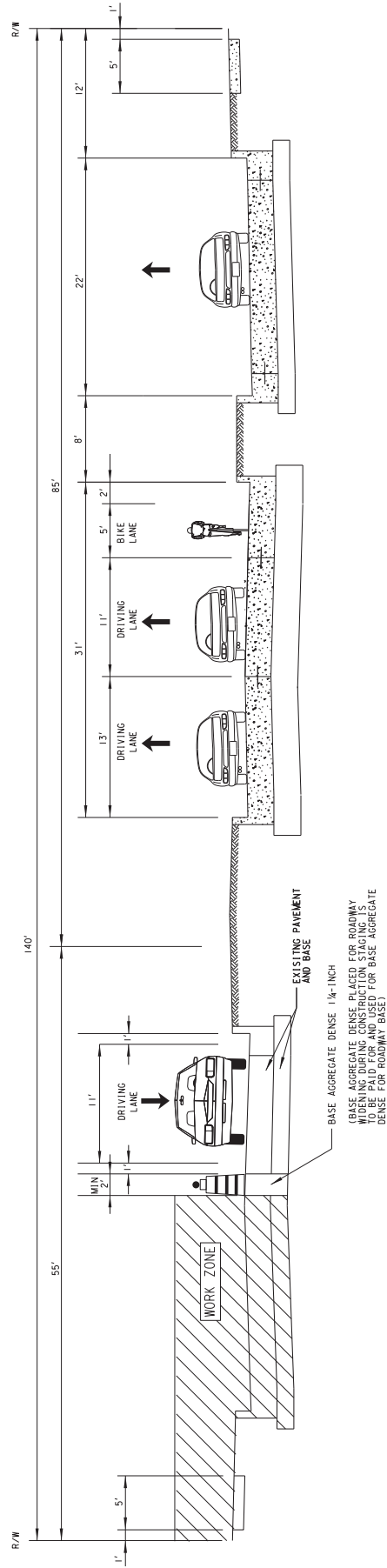


Addendum No. 01
ID 2504-00-71
Revised Sheet 138
March 5, 2017

DRUMS W/LIGHTS 30' SPACING ●
 TYPE III BARRICADES ++
 TYPE III BARRICADES W/ SIGN ○
 SIGNS BANNED TO UTILITY POLE
 PORTABLE CHANGE MESSAGE SIGN
 WORK AREA
 PAVEMENT GAP
 DIRECTION OF TRAFFIC
 TUBULAR MARKERS 25' SPACING

(A) TPM, REMOVABLE TAPE, 4" WHITE
 NOTE: ALL SIGNING SHALL BE THE CONTRACTORS RESPONSIBILITY. ALL SIGNS SHALL BE BANNED TO EXISTING UTILITY POLES UNLESS OTHERWISE NOTED. CONTRACTOR RESPONSIBLE FOR COVERING ALL CONFLICTING PAVEMENT MARKINGS. CONTRACTOR RESPONSIBLE FOR COVERING ALL SIGNS THAT ARE IN CONFLICT WITH TEMPORARY TRAFFIC CONTROL SIGNS
 x STAGE 4A (PAVING OPERATIONS ONLY)
 x x STAGE 4B (PAVING OPERATIONS ONLY)

STAGE 3



TYPICAL TRAFFIC CONTROL SECTION
NORTH 91ST STREET

Addendum No. 01
 ID 2504-00-71
 Revised Sheet 141
 March 5, 2017

BASE AGGREGATE

STREET	LOCATION	CROSS OVER S. OF MILL	CAT 10		CAT 30	
			AGGREGATE DENSE 1-1/4 INCH TON	AGGREGATE DENSE 1-1/4 INCH TON	AGGREGATE DENSE 1-1/4 INCH TON	AGGREGATE DENSE 1-1/4 INCH TON
N 91st			18			
N 91st	STA 0+00 TO 5+00		2,887			
N 91st	STA 5+00 TO 11+00		4,880			
N 91st	STA 11+00 TO 17+00		5,262			
N 91st	STA 17+00 TO 23+00		5,036			
N 91st	STA 23+00 TO 29+00		5,073			
N 91st	STA 29+00 TO 35+00		5,113			
N 91st	STA 35+00 TO 41+00		5,040			
N 91st	STA 41+00 TO 47+00		5,842			
N 91st	STA 47+00 TO 53+00		5,046			
N 91st	STA 53+00 TO 53+52.5		275			
SERVICE DRIVE	STA 0+00 TO 5+00		--	59		
SERVICE DRIVE	STA 5+00 TO 11+00		--	585		
SERVICE DRIVE	STA 11+00 TO 17+00		--	405		
SERVICE DRIVE	STA 17+00 TO 23+00		--	584		
SERVICE DRIVE	STA 23+00 TO 29+00		--	322		
SERVICE DRIVE	STA 29+00 TO 35+00		--	329		
SERVICE DRIVE	STA 35+00 TO 41+00		--	--		
SERVICE DRIVE	STA 41+00 TO 47+00		--	--		
SERVICE DRIVE	STA 47+00 TO 53+00		--	--		
SERVICE DRIVE	STA 53+00 TO 53+52.5		44,472	2,284		
CATEGORY TOTAL			44,472	2,284		
PROJECT TOTAL			46,756			

CAT 10
FINISHING ROADWAY
PROJECT 2504-00-71
213.0100

LOCATION	EACH
PROJECT - N. 91ST STREET	1
PROJECT TOTAL	1

CONCRETE BASE

STREET	LOCATION	CAT 10		CAT 10	
		CONCRETE BASE 6-INCH SY	CONCRETE BASE 9-INCH SY	CONCRETE BASE 6-INCH SY	CONCRETE BASE 9-INCH SY
N 91st	STA 0+00 TO 5+00	17	--	--	--
N 91st	STA 5+00 TO 11+00	5	--	--	--
N 91st	STA 11+00 TO 17+00	--	--	--	--
N 91st	STA 17+00 TO 23+00	--	--	--	--
N 91st	STA 23+00 TO 29+00	--	--	--	--
N 91st	STA 29+00 TO 35+00	3	--	--	--
N 91st	STA 35+00 TO 41+00	6	--	--	--
N 91st	STA 41+00 TO 47+00	5	--	--	--
N 91st	STA 47+00 TO 53+00	5	--	--	--
N 91st	STA 53+00 TO 53+52.5	--	7	--	7
PROJECT TOTAL		41		7	

Addendum No. 01
ID 2504-00-71
Revised Sheet 155
March 5, 2017

Addendum No. 01
ID 2504-00-71
Revised Sheet 156
March 5, 2017

CONCRETE PAVEMENT

STREET	LOCATION	CAT 10 415.0080 CONCRETE PAVEMENT 8-INCH		CAT 30 415.0080 CONCRETE PAVEMENT 8-INCH		CAT 10 SPV.0180.01 JOINT SEALING		CAT 30 SPV.0180.01 JOINT SEALING	
		SY	SY	SY	SY	SY	SY	SY	SY
N 91st	CROSS OVER S. OF MILL	41	--	--	--	41	--	--	--
N 91st	STA 0+00 TO 5+00	2,679	--	--	--	2,679	--	--	--
N 91st	STA 5+00 TO 11+00	4,356	--	--	--	4,356	--	--	--
N 91st	STA 11+00 TO 17+00	5,302	--	--	--	5,302	--	--	--
N 91st	STA 17+00 TO 23+00	4,705	--	--	--	4,705	--	--	--
N 91st	STA 23+00 TO 29+00	4,807	--	--	--	4,807	--	--	--
N 91st	STA 29+00 TO 35+00	4,795	--	--	--	4,795	--	--	--
N 91st	STA 35+00 TO 41+00	4,710	--	--	--	4,710	--	--	--
N 91st	STA 41+00 TO 47+00	4,200	--	--	--	4,200	--	--	--
N 91st	STA 47+00 TO 53+00	4,697	--	--	--	4,697	--	--	--
N 91st	STA 53+00 TO 53+52.5	256	--	--	--	256	--	--	--
SERVICE DRIVE	STA 0+00 TO 5+00	--	110	110	--	0	110	110	--
SERVICE DRIVE	STA 5+00 TO 11+00	--	1,200	1,200	--	0	1,200	1,200	--
SERVICE DRIVE	STA 11+00 TO 17+00	--	811	811	--	0	811	811	--
SERVICE DRIVE	STA 17+00 TO 23+00	--	1,219	1,219	--	0	1,219	1,219	--
SERVICE DRIVE	STA 23+00 TO 29+00	--	644	644	--	0	644	644	--
SERVICE DRIVE	STA 29+00 TO 35+00	--	670	670	--	0	670	670	--
SERVICE DRIVE	STA 35+00 TO 41+00	--	--	--	--	--	--	--	--
SERVICE DRIVE	STA 41+00 TO 47+00	--	--	--	--	--	--	--	--
SERVICE DRIVE	STA 47+00 TO 53+00	--	--	--	--	--	--	--	--
SERVICE DRIVE	STA 53+00 TO 53+52.5	--	--	--	--	--	--	--	--
CATEGORY TOTAL		40,548	4,655	4,655		40,548	4,655	4,655	
PROJECT TOTAL			45,202	45,202			45,202	45,202	

Addendum No. 01
 ID 2504-00-71
 Revised Sheet 157
 March 5, 2017

CONCRETE PAVEMENT ITEMS				CONCRETE CURB AND GUTTER			
STREET	LOCATION	CAT 10	CONCRETE	STREET	LOCATION	CAT 10	CONCRETE
N 91st	CROSS OVER S. OF MILL	20	416.0610	N 91st	CROSS OVER S. OF MILL	60	CAT 10
N 91st	STA 0+00 TO 5+00	--	416.0620	N 91st	STA 0+00 TO 5+00	430	601.0331
N 91st	STA 5+00 TO 11+00	--	415.0210	N 91st	STA 5+00 TO 11+00	600	CONCRETE
N 91st	STA 11+00 TO 17+00	--		N 91st	STA 11+00 TO 17+00	540	CURB &
N 91st	STA 17+00 TO 23+00	--		N 91st	STA 17+00 TO 23+00	540	GUTTER
N 91st	STA 23+00 TO 29+00	--		N 91st	STA 23+00 TO 29+00	600	31-INCH
N 91st	STA 29+00 TO 35+00	--		N 91st	STA 29+00 TO 35+00	600	LF
N 91st	STA 35+00 TO 41+00	--		N 91st	STA 35+00 TO 41+00	600	
N 91st	STA 41+00 TO 47+00	--		N 91st	STA 41+00 TO 47+00	600	
N 91st	STA 47+00 TO 53+00	--		N 91st	STA 47+00 TO 53+00	600	
N 91st	STA 53+00 TO 53+52.5	--		N 91st	STA 53+00 TO 53+52.5	45	
	PROJECT TOTAL	20	22		PROJECT TOTAL	5,220	
ASPHALT PAVING ITEMS				MISCELLANEOUS QUANTITIES			
STREET	LOCATION	CAT 10	CONCRETE	STREET	LOCATION	CAT 10	CONCRETE
N 91st	CROSS OVER S. OF MILL	13	465.0310	SERVICE DRIVE	STA 0+00 TO 5+00	--	170
N 91st	STA 0+00 TO 5+00	8	465.0310	SERVICE DRIVE	STA 5+00 TO 11+00	--	1,160
N 91st	STA 5+00 TO 11+00	--		SERVICE DRIVE	STA 11+00 TO 17+00	--	970
N 91st	STA 11+00 TO 17+00	1		SERVICE DRIVE	STA 17+00 TO 23+00	--	1,170
N 91st	STA 17+00 TO 23+00	--		SERVICE DRIVE	STA 23+00 TO 29+00	--	710
N 91st	STA 23+00 TO 29+00	--		SERVICE DRIVE	STA 29+00 TO 35+00	--	790
N 91st	STA 29+00 TO 35+00	--		SERVICE DRIVE	STA 35+00 TO 41+00	--	10
N 91st	STA 35+00 TO 41+00	--		SERVICE DRIVE	STA 41+00 TO 47+00	--	0
N 91st	STA 41+00 TO 47+00	--		SERVICE DRIVE	STA 47+00 TO 53+00	--	40
N 91st	STA 47+00 TO 53+00	--		SERVICE DRIVE	STA 53+00 TO 53+52.5	--	20
N 91st	STA 53+00 TO 53+52.5	5			CATEGORY TOTAL	9,600	5,040
	PROJECT TOTAL	14	33		PROJECT TOTAL	9,600	10,260

3

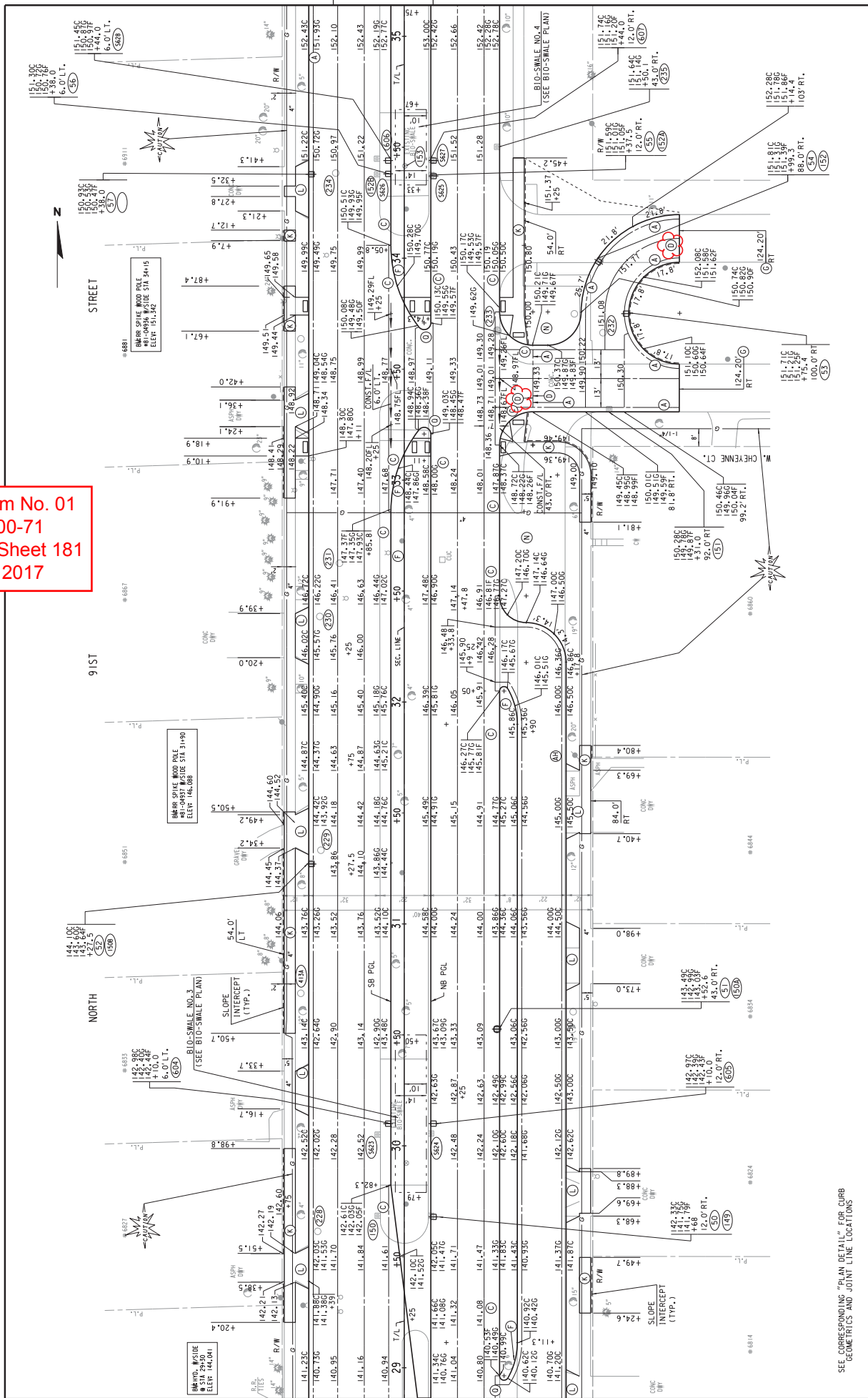
3

Addendum No. 01
 ID 2504-00-71
 Revised Sheet 165
 March 5, 2017

TRAFFIC CONTROL ITEMS

CATEGORY 10	STAGE	LOCATION	643.0300		643.0420		643.0500		643.0600		643.0705		643.0715		643.0900	
			STAGE DURATION DAYS	DRUMS NO.	TRAFFIC CONTROL BARRICADES TYPE III NO.	TRAFFIC CONTROL FLEXIBLE MARKER MARKER POSTS EACH	TRAFFIC CONTROL FLEXIBLE MARKER MARKER BASES EACH	TRAFFIC CONTROL WARNING LIGHTS TYPE A NO.	TRAFFIC CONTROL WARNING LIGHTS TYPE C NO.	TRAFFIC CONTROL SIGNS NO.	TRAFFIC CONTROL SIGNS PCMS NO.					
CATEGORY 10	1	N 91st NORTHBOUND	69	232	16,008	201	13,869	209	209	402	27,738	232	16,008	100	6,900	--
		UNDISTRIBUTED MEDIAN AND INTERSECTIONS, PEDESTRIAN ACCESS		20	1,380	10	690	--	--	20	1,380	20	1,380	10	690	--
		SUBTOTAL			17,388		14,559	209	209		29,118		17,388		7,590	
	3	N 91st SOUTHBOUND OUTSIDE	54	173	9,342	64	3,456	--	--	128	6,912	173	9,342	32	1,728	--
		UNDISTRIBUTED MEDIAN AND INTERSECTIONS, PEDESTRIAN ACCESS		10	540	5	270	--	--	10	540	10	540	4	216	--
		SUBTOTAL			9,882		3,726	--	--		7,452		9,882		1,944	
	4	N 91st SOUTHBOUND INSIDE	49	186	9,114	124	6,076	--	--	248	12,152	186	9,114	71	3,479	--
		UNDISTRIBUTED MEDIAN AND INTERSECTIONS, PEDESTRIAN ACCESS		15	735	5	245	--	--	10	490	15	735	4	196	3
		SUBTOTAL			9,849		6,321	--	--		12,642		9,849		3,675	3
	4A	N 91st SOUTHBOUND CLOSED NORTH	1	20	20	5	5	--	--	10	10	20	20	6	6	3
	SUBTOTAL			20		5	--	--		10		20		6	3	
4B	N 91st SOUTHBOUND CLOSED SOUTH	1	20	20	5	5	--	--	10	10	20	20	6	6	3	
	SUBTOTAL			20		5	--	--		10		20		6	3	
CATEGORY 30				37,159		24,616	209	209		49,232		37,159		13,221	9	
2	SERVICE DRIVE	27	--	--	47	1,269	--	--	94	2,538	--	--	23	621	--	
	UNDISTRIBUTED MEDIAN AND INTERSECTIONS, PEDESTRIAN ACCESS		5	135	4	108	--	--	8	216	5	135	4	108	--	
	CATEGORY TOTAL			135		1,377	--	--		2,754		135		729	--	
	PROJECT TOTAL			37,294		25,993	209	209		51,986		37,294		13,950	9	

Addendum No. 01
 ID 2504-00-71
 Revised Sheet 181
 March 5, 2017





Proposal Schedule of Items

Proposal ID: 20170314015 Project(s): 2504-00-71

Federal ID(s): WISC 2017104

SECTION: 0001 Contract Items

Alt Set ID: Alt Mbr ID:

Proposal Line Number	Item ID Description	Approximate Quantity and Units	Unit Price	Bid Amount
0010	201.0110 Clearing	70.000 SY	_____.	_____.
0020	201.0120 Clearing	384.000 ID	_____.	_____.
0030	201.0210 Grubbing	70.000 SY	_____.	_____.
0040	201.0220 Grubbing	384.000 ID	_____.	_____.
0050	204.0100 Removing Pavement	46,705.000 SY	_____.	_____.
0060	204.0105 Removing Pavement Butt Joints	470.000 SY	_____.	_____.
0070	204.0115 Removing Asphaltic Surface Butt Joints	40.000 SY	_____.	_____.
0080	204.0150 Removing Curb & Gutter	270.000 LF	_____.	_____.
0090	204.0155 Removing Concrete Sidewalk	4,800.000 SY	_____.	_____.
0100	204.0165 Removing Guardrail	135.000 LF	_____.	_____.
0110	204.0170 Removing Fence	104.000 LF	_____.	_____.
0120	204.0220 Removing Inlets	93.000 EACH	_____.	_____.
0130	204.0245 Removing Storm Sewer (size) 01. 8-Inch Pipe	1,422.000 LF	_____.	_____.
0140	205.0100 Excavation Common	25,858.000 CY	_____.	_____.
0150	213.0100 Finishing Roadway (project) 01. 2504-00-71	1.000 EACH	_____.	_____.
0160	305.0120 Base Aggregate Dense 1 1/4-Inch	46,756.000 TON	_____.	_____.



Proposal Schedule of Items

Proposal ID: 20170314015 Project(s): 2504-00-71

Federal ID(s): WISC 2017104

SECTION: 0001 Contract Items

Alt Set ID: Alt Mbr ID:

Proposal Line Number	Item ID Description	Approximate Quantity and Units	Unit Price	Bid Amount
0170	320.0125 Concrete Base 6-Inch	41.000 SY	_____.	_____.
0180	320.0155 Concrete Base 9-Inch	7.000 SY	_____.	_____.
0190	415.0080 Concrete Pavement 8-Inch	45,203.000 SY	_____.	_____.
0200	415.0210 Concrete Pavement Gaps	4.000 EACH	_____.	_____.
0210	416.0170 Concrete Driveway 7-Inch	780.000 SY	_____.	_____.
0220	416.0610 Drilled Tie Bars	20.000 EACH	_____.	_____.
0230	416.0620 Drilled Dowel Bars	22.000 EACH	_____.	_____.
0240	455.0605 Tack Coat	14.000 GAL	_____.	_____.
0250	465.0105 Asphaltic Surface	108.000 TON	_____.	_____.
0260	465.0310 Asphaltic Curb	35.000 LF	_____.	_____.
0270	509.1500 Concrete Surface Repair	246.000 SF	_____.	_____.
0280	509.9025.S Epoxy Injection Crack Repair	283.000 LF	_____.	_____.
0290	509.9026.S Cored Holes 2-Inch Diameter	8.000 EACH	_____.	_____.
0300	601.0331 Concrete Curb & Gutter 31-Inch	10,260.000 LF	_____.	_____.
0310	602.0410 Concrete Sidewalk 5-Inch	40,800.000 SF	_____.	_____.
0320	602.0515 Curb Ramp Detectable Warning Field Natural Patina	540.000 SF	_____.	_____.



Proposal Schedule of Items

Proposal ID: 20170314015 Project(s): 2504-00-71

Federal ID(s): WISC 2017104

SECTION: 0001 Contract Items

Alt Set ID: Alt Mbr ID:

Proposal Line Number	Item ID Description	Approximate Quantity and Units	Unit Price	Bid Amount
0330	608.0312 Storm Sewer Pipe Reinforced Concrete Class III 12-Inch	1,188.000 LF	_____.	_____.
0340	611.2004 Manholes 4-FT Diameter	20.000 EACH	_____.	_____.
0350	611.3225 Inlets 2x2.5-FT	1.000 EACH	_____.	_____.
0360	611.8110 Adjusting Manhole Covers	63.000 EACH	_____.	_____.
0370	611.8115 Adjusting Inlet Covers	8.000 EACH	_____.	_____.
0380	612.0108 Pipe Underdrain 8-Inch	319.000 LF	_____.	_____.
0390	612.0206 Pipe Underdrain Unperforated 6-Inch	96.000 LF	_____.	_____.
0400	614.2300 MGS Guardrail 3	25.000 LF	_____.	_____.
0410	614.2610 MGS Guardrail Terminal EAT	2.000 EACH	_____.	_____.
0420	614.2620 MGS Guardrail Terminal Type 2	2.000 EACH	_____.	_____.
0430	619.1000 Mobilization	1.000 EACH	_____.	_____.
0440	620.0300 Concrete Median Sloped Nose	1,557.000 SF	_____.	_____.
0450	621.0100 Landmark Reference Monuments	1.000 EACH	_____.	_____.
0460	623.0200 Dust Control Surface Treatment	43,500.000 SY	_____.	_____.
0470	625.0100 Topsoil	15,294.000 SY	_____.	_____.
0480	628.1504 Silt Fence	60.000 LF	_____.	_____.



Proposal Schedule of Items

Proposal ID: 20170314015 Project(s): 2504-00-71

Federal ID(s): WISC 2017104

SECTION: 0001 Contract Items

Alt Set ID: Alt Mbr ID:

Proposal Line Number	Item ID Description	Approximate Quantity and Units	Unit Price	Bid Amount
0490	628.1520 Silt Fence Maintenance	60.000 LF	_____.	_____.
0500	628.1905 Mobilizations Erosion Control	3.000 EACH	_____.	_____.
0510	628.1910 Mobilizations Emergency Erosion Control	9.000 EACH	_____.	_____.
0520	628.2023 Erosion Mat Class II Type B	70.000 SY	_____.	_____.
0530	628.7005 Inlet Protection Type A	77.000 EACH	_____.	_____.
0540	628.7015 Inlet Protection Type C	108.000 EACH	_____.	_____.
0550	629.0205 Fertilizer Type A	9.630 CWT	_____.	_____.
0560	630.0130 Seeding Mixture No. 30	2.000 LB	_____.	_____.
0570	631.1000 Sod Lawn	15,224.000 SY	_____.	_____.
0580	632.0101 Trees (species) (size) (root) 01. Common Bald Cypress 3" Cal B&B	1.000 EACH	_____.	_____.
0590	632.0101 Trees (species) (size) (root) 02. Callery Pear 3" Cal B&B	2.000 EACH	_____.	_____.
0600	632.0101 Trees (species) (size) (root) 03. Sunburst Honeylocust 3" Cal B&B	1.000 EACH	_____.	_____.
0610	632.0101 Trees (species) (size) (root) 04. Canada Red Chokeberry 3" Cal B&B	1.000 EACH	_____.	_____.
0620	632.0101 Trees (species) (size) (root) 05. Japanese Tree Lilac 3" Cal B&B	3.000 EACH	_____.	_____.
0630	632.0101 Trees (species) (size) (root) 06. American Swetgum Moraine 3" Cal B&B	1.000 EACH	_____.	_____.



Proposal Schedule of Items

Proposal ID: 20170314015 Project(s): 2504-00-71

Federal ID(s): WISC 2017104

SECTION: 0001 Contract Items

Alt Set ID: Alt Mbr ID:

Proposal Line Number	Item ID Description	Approximate Quantity and Units	Unit Price	Bid Amount
0640	632.0101 Trees (species) (size) (root) 07. Tulip Tree 3" Cal B&B	1.000 EACH	_____.	_____.
0650	632.0101 Trees (species) (size) (root) 08. Butternut 3" Cal B&B	1.000 EACH	_____.	_____.
0660	632.0101 Trees (species) (size) (root) 09. Northern Catalpa 3" Cal B&B	1.000 EACH	_____.	_____.
0670	632.0101 Trees (species) (size) (root) 10. Yellow River Birch 3" Cal B&B	3.000 EACH	_____.	_____.
0680	632.0101 Trees (species) (size) (root) 11. Red Bud 3" Cal B&B	1.000 EACH	_____.	_____.
0690	632.0101 Trees (species) (size) (root) 12. Amur Corktree 3" Cal B&B	1.000 EACH	_____.	_____.
0700	632.0201 Shrubs (species) (size) (root) 01. Rugosa Roses 3 Gal CG	13.000 EACH	_____.	_____.
0710	632.0201 Shrubs (species) (size) (root) 02. Diablo Ninebark 5 Gal CG	18.000 EACH	_____.	_____.
0720	632.0201 Shrubs (species) (size) (root) 03. Tigers Eye Sumac 5 Gal CG	14.000 EACH	_____.	_____.
0730	632.0201 Shrubs (species) (size) (root) 04. Miscanthus Panicum 1 Gal CG	60.000 EACH	_____.	_____.
0740	632.0201 Shrubs (species) (size) (root) 05. Arrowwood Viburnum 5 Gal CG	8.000 EACH	_____.	_____.
0750	632.0301 Vines (species) (size) (root) 01. Perrenial Black Eyed Susan 1 Gal CG	36.000 EACH	_____.	_____.
0760	632.0301 Vines (species) (size) (root) 02. Perrenial Blue Wonder Catmint 1 Gal CG	192.000 EACH	_____.	_____.



Proposal Schedule of Items

Proposal ID: 20170314015 Project(s): 2504-00-71

Federal ID(s): WISC 2017104

SECTION: 0001 Contract Items

Alt Set ID: Alt Mbr ID:

Proposal Line Number	Item ID Description	Approximate Quantity and Units	Unit Price	Bid Amount
0770	632.0301 Vines (species) (size) (root) 03. Perennial Dwarf Daylilies 1 Gal CG	276.000 EACH	_____.	_____.
0780	632.0301 Vines (species) (size) (root) 04. Perennial Russian Sage 1 Gal CG	30.000 EACH	_____.	_____.
0790	632.0301 Vines (species) (size) (root) 05. Perennial Agastache Blue Fortune 1 Gal CG	24.000 EACH	_____.	_____.
0800	632.9101 Landscape Planting Surveillance and Care Cycles	10.000 EACH	_____.	_____.
0810	642.5401 Field Office Type D	1.000 EACH	_____.	_____.
0820	643.0100 Traffic Control (project) 01. 2504-00-71	1.000 EACH	_____.	_____.
0830	643.0300 Traffic Control Drums	37,429.000 DAY	_____.	_____.
0840	643.0410 Traffic Control Barricades Type II	160.000 DAY	_____.	_____.
0850	643.0420 Traffic Control Barricades Type III	27,370.000 DAY	_____.	_____.
0860	643.0500 Traffic Control Flexible Tubular Marker Posts	209.000 EACH	_____.	_____.
0870	643.0600 Traffic Control Flexible Tubular Marker Bases	209.000 EACH	_____.	_____.
0880	643.0705 Traffic Control Warning Lights Type A	54,740.000 DAY	_____.	_____.
0890	643.0715 Traffic Control Warning Lights Type C	37,429.000 DAY	_____.	_____.
0900	643.0900 Traffic Control Signs	14,679.000 DAY	_____.	_____.
0910	644.1410.S Temporary Pedestrian Surface Asphalt	1,000.000 SF	_____.	_____.



Proposal Schedule of Items

Proposal ID: 20170314015 Project(s): 2504-00-71

Federal ID(s): WISC 2017104

SECTION: 0001 Contract Items

Alt Set ID: Alt Mbr ID:

Proposal Line Number	Item ID Description	Approximate Quantity and Units	Unit Price	Bid Amount
0920	644.1420.S Temporary Pedestrian Surface Plywood	600.000 SF	_____.	_____.
0930	644.1430.S Temporary Pedestrian Surface Plate	2,000.000 SF	_____.	_____.
0940	644.1601.S Temporary Curb Ramp	24.000 EACH	_____.	_____.
0950	645.0112 Geotextile Type DF Schedule B	105.000 SY	_____.	_____.
0960	646.0106 Pavement Marking Epoxy 4-Inch	6,469.000 LF	_____.	_____.
0970	646.0116 Pavement Marking Epoxy 6-Inch	8,231.000 LF	_____.	_____.
0980	646.0126 Pavement Marking Epoxy 8-Inch	960.000 LF	_____.	_____.
0990	647.0166 Pavement Marking Arrows Epoxy Type 2	7.000 EACH	_____.	_____.
1000	647.0206 Pavement Marking Arrows Bike Lane Epoxy	19.000 EACH	_____.	_____.
1010	647.0306 Pavement Marking Symbols Bike Lane Epoxy	19.000 EACH	_____.	_____.
1020	647.0356 Pavement Marking Words Epoxy	7.000 EACH	_____.	_____.
1030	647.0576 Pavement Marking Stop Line Epoxy 24-Inch	88.000 LF	_____.	_____.
1040	647.0776 Pavement Marking Crosswalk Epoxy 12-Inch	340.000 LF	_____.	_____.
1050	649.0400 Temporary Pavement Marking Removable Tape 4-Inch	28,922.000 LF	_____.	_____.
1060	649.0402 Temporary Pavement Marking Paint 4-Inch	550.000 LF	_____.	_____.



Proposal Schedule of Items

Proposal ID: 20170314015 Project(s): 2504-00-71

Federal ID(s): WISC 2017104

SECTION: 0001 Contract Items

Alt Set ID: Alt Mbr ID:

Proposal Line Number	Item ID Description	Approximate Quantity and Units	Unit Price	Bid Amount
1070	649.1800 Temporary Pavement Marking Arrows Removable Tape	1.000 EACH	_____.	_____.
1080	649.2000 Temporary Pavement Marking Words Removable Tape	1.000 EACH	_____.	_____.
1090	650.4000 Construction Staking Storm Sewer	81.000 EACH	_____.	_____.
1100	650.4500 Construction Staking Subgrade	12,900.000 LF	_____.	_____.
1110	650.7000 Construction Staking Concrete Pavement	12,900.000 LF	_____.	_____.
1120	650.8500 Construction Staking Electrical Installations (project) 01. 2504-00-71	LS	LUMP SUM	_____.
1130	650.9910 Construction Staking Supplemental Control (project) 01. 2504-00-71	LS	LUMP SUM	_____.
1140	652.0225 Conduit Rigid Nonmetallic Schedule 40 2-Inch	175.000 LF	_____.	_____.
1150	652.0230 Conduit Rigid Nonmetallic Schedule 40 2 1/2-Inch	5,600.000 LF	_____.	_____.
1160	652.0235 Conduit Rigid Nonmetallic Schedule 40 3-Inch	475.000 LF	_____.	_____.
1170	652.0330 Conduit Rigid Nonmetallic Schedule 80 2 1/2-Inch	1,500.000 LF	_____.	_____.
1180	652.0335 Conduit Rigid Nonmetallic Schedule 80 3-Inch	200.000 LF	_____.	_____.
1190	652.0610 Conduit Special 2 1/2-Inch	140.000 LF	_____.	_____.
1200	654.0101 Concrete Bases Type 1	2.000 EACH	_____.	_____.



Proposal Schedule of Items

Proposal ID: 20170314015 Project(s): 2504-00-71

Federal ID(s): WISC 2017104

SECTION: 0001 Contract Items

Alt Set ID: Alt Mbr ID:

Proposal Line Number	Item ID Description	Approximate Quantity and Units	Unit Price	Bid Amount
1210	654.0105 Concrete Bases Type 5	47.000 EACH	_____.	_____.
1220	655.0305 Cable Type UF 2-12 AWG Grounded	3,100.000 LF	_____.	_____.
1230	657.0255 Transformer Bases Breakaway 11 1/2-Inch Bolt Circle	45.000 EACH	_____.	_____.
1240	657.0322 Poles Type 5-Aluminum	5.000 EACH	_____.	_____.
1250	657.0615 Luminaire Arms Single Member 4 1/2-Inch Clamp 8-FT	82.000 EACH	_____.	_____.
1260	690.0150 Sawing Asphalt	430.000 LF	_____.	_____.
1270	690.0250 Sawing Concrete	218.000 LF	_____.	_____.
1280	715.0415 Incentive Strength Concrete Pavement	11,292.000 DOL	1.00000	11,292.00
1290	ASP.1T0A On-the-Job Training Apprentice at \$5.00/HR	1,600.000 HRS	5.00000	8,000.00
1300	ASP.1T0G On-the-Job Training Graduate at \$5.00/HR	2,000.000 HRS	5.00000	10,000.00
1310	SPV.0035 Special 01. Storage Layer	320.000 CY	_____.	_____.
1320	SPV.0035 Special 02. Engineered Soil	253.000 CY	_____.	_____.
1330	SPV.0035 Special 03. Bedding Layer	57.000 CY	_____.	_____.
1340	SPV.0035 Special 04. Cobblestones	68.000 CY	_____.	_____.
1350	SPV.0060 Special 01. 8-Inch PVC Standpipe w/ Dome Gate	7.000 EACH	_____.	_____.



Proposal Schedule of Items

Proposal ID: 20170314015 Project(s): 2504-00-71

Federal ID(s): WISC 2017104

SECTION: 0001 Contract Items

Alt Set ID: Alt Mbr ID:

Proposal Line Number	Item ID Description	Approximate Quantity and Units	Unit Price	Bid Amount
1360	SPV.0060 Special 02. Informational Sign Post	3.000 EACH	_____.	_____.
1370	SPV.0060 Special 03. 6-Inch Cleanouts	11.000 EACH	_____.	_____.
1380	SPV.0060 Special 04. Joe Pye Weed 1 Gal CG	8.000 EACH	_____.	_____.
1390	SPV.0060 Special 05. Karl Foerster Grass 1 Gal CG	26.000 EACH	_____.	_____.
1400	SPV.0060 Special 06. Switch Grass 1 Gal CG	11.000 EACH	_____.	_____.
1410	SPV.0060 Special 07. Inlet Covers Type 57	78.000 EACH	_____.	_____.
1420	SPV.0060 Special 08. Catch Basins Type 45A	60.000 EACH	_____.	_____.
1430	SPV.0060 Special 09. Adjust TES Manhole	8.000 EACH	_____.	_____.
1440	SPV.0060 Special 10. Install Salvaged Inlet Frame & Grate	14.000 EACH	_____.	_____.
1450	SPV.0060 Special 11. Fiberglass / Polymer Concrete Pull Box 13'x24"x24"	39.000 EACH	_____.	_____.
1460	SPV.0060 Special 12. Fiberglass / Polymer Concrete Pull Box 17"x30"x24"	10.000 EACH	_____.	_____.
1470	SPV.0060 Special 13. Utility Line Opening (ULO)	2.000 EACH	_____.	_____.
1480	SPV.0060 Special 14. Construction Staking Curb Ramp	52.000 EACH	_____.	_____.
1490	SPV.0060 Special 15. Manhole Cover Type 58A	3.000 EACH	_____.	_____.
1500	SPV.0060 Special 16. Installing City-Furnished 22' Aluminum Bolt Down Pole	6.000 EACH	_____.	_____.



Proposal Schedule of Items

Proposal ID: 20170314015 Project(s): 2504-00-71

Federal ID(s): WISC 2017104

SECTION: 0001 Contract Items

Alt Set ID: Alt Mbr ID:

Proposal Line Number	Item ID Description	Approximate Quantity and Units	Unit Price	Bid Amount
1510	SPV.0060 Special 17. Installing City-Furnished Luminaire Arms 6'	6.000 EACH	_____.	_____.
1520	SPV.0060 Special 18. Installing City-Furnished Luminaires LED Types A, B, C	88.000 EACH	_____.	_____.
1530	SPV.0060 Special 19. Poles Type 5A Aluminum 25'	36.000 EACH	_____.	_____.
1540	SPV.0060 Special 20. Woods Purple Aster 1 Gal CG	144.000 EACH	_____.	_____.
1550	SPV.0060 Special 21. Russian Sage 1 Gal CG	24.000 EACH	_____.	_____.
1560	SPV.0060 Special 22. Becky Shasta Daisy 1 Gal CG	48.000 EACH	_____.	_____.
1570	SPV.0060 Special 23. Dwarf Korean Lilac 5 Gal CG	24.000 EACH	_____.	_____.
1580	SPV.0060 Special 24. Yellow Knockout Roses 2 Gal CG	12.000 EACH	_____.	_____.
1590	SPV.0060 Special 25. Cloud Nine Switch Grass 1 Gal CG	28.000 EACH	_____.	_____.
1600	SPV.0060 Special 26. Dwarf Serbian Spruce 5 Gal CG	4.000 EACH	_____.	_____.
1610	SPV.0060 Special 27. Catmint Blue Wonder 1 Gal CG	48.000 EACH	_____.	_____.
1620	SPV.0060 Special 28. American Hornbeams 3" Cal B&B	6.000 EACH	_____.	_____.
1630	SPV.0060 Special 29. Signature Bed	2.000 EACH	_____.	_____.



Proposal Schedule of Items

Proposal ID: 20170314015 Project(s): 2504-00-71

Federal ID(s): WISC 2017104

SECTION: 0001 Contract Items

Alt Set ID: Alt Mbr ID:

Proposal Line Number	Item ID Description	Approximate Quantity and Units	Unit Price	Bid Amount
1640	SPV.0060 Special 30. Temporary Bus Loading Zone	8.000 EACH	_____.	_____.
1650	SPV.0060 Special 31. Storm Sewer Pipe Coupling 8-Inch	16.000 EACH	_____.	_____.
1660	SPV.0060 Special 32. Storm Sewer Pipe Coupling 10-Inch	1.000 EACH	_____.	_____.
1670	SPV.0060 Special 33. Storm Sewer Pipe Coupling 12-Inch	2.000 EACH	_____.	_____.
1680	SPV.0090 Special 01. Concrete Wall Repair	15.000 LF	_____.	_____.
1690	SPV.0090 Special 02. Culvert Joint Repair	84.000 LF	_____.	_____.
1700	SPV.0090 Special 03. Fence Chain Link Polymer Coated 4-FT	123.000 LF	_____.	_____.
1710	SPV.0090 Special 04. Storm Sewer Pipe Corrugated PVC 8-Inch	80.000 LF	_____.	_____.
1720	SPV.0090 Special 05. Storm Sewer Pipe Corrugated PVC 10-Inch	5.000 LF	_____.	_____.
1730	SPV.0090 Special 06. Storm Sewer Pipe Corrugated PVC 12-Inch	10.000 LF	_____.	_____.
1740	SPV.0090 Special 07. Construction Staking Sidewalk	8,160.000 LF	_____.	_____.
1750	SPV.0090 Special 08. Cable Type 3#2/1#8 LTP	1,700.000 LF	_____.	_____.
1760	SPV.0090 Special 09. Cable Type 3#4/1#8 LTP	2,650.000 LF	_____.	_____.
1770	SPV.0090 Special 10. Cable Type 3#6/1#8 LTP	1,750.000 LF	_____.	_____.



Proposal Schedule of Items

Proposal ID: 20170314015 Project(s): 2504-00-71

Federal ID(s): WISC 2017104

SECTION: 0001 Contract Items

Alt Set ID: Alt Mbr ID:

Proposal Line Number	Item ID Description	Approximate Quantity and Units	Unit Price	Bid Amount
1780	SPV.0090 Special 11. Cable Type 3#8/1#8 LTP	1,200.000 LF	_____.	_____.
1790	SPV.0090 Special 12. Fieldstone Boulder Wall	80.000 LF	_____.	_____.
1800	SPV.0090 Special 13. Concrete Curb & Gutter Integral 18-Inch Modified	9,600.000 LF	_____.	_____.
1810	SPV.0180 Special 01. Joint Sealing	43,541.000 SY	_____.	_____.
1820	SPV.0195 Special 01. Removal, Hauling, and Disposal of PAH Contaminated Sediment	57.000 TON	_____.	_____.
1830	601.0342 Concrete Curb & Gutter Integral 18-Inch	4,720.000 LF	_____.	_____.
1840	643.1050 Traffic Control Signs PCMS	9.000 DAY	_____.	_____.
Section: 0001			Total:	_____.
			Total Bid:	_____.