



Wisconsin Department of Transportation

May 3, 2017

Division of Transportation Systems Development

Bureau of Project Development
4802 Sheboygan Avenue, Rm 601
P O Box 7916
Madison, WI 53707-7916

Telephone: (608) 266-1631
Facsimile (FAX): (608) 266-8459

NOTICE TO ALL CONTRACTORS:

Proposal #22: 4670-12-60
Sherwood - Kaukauna
USH 10 – Ridgecrest Lane
STH 55
Calumet County

Letting of May 9, 2017

This is Addendum No. 01, which provides for the following:

Schedule of Items:

Revised Bid Item Quantities					
Bid Item	Item Description	Unit	Old Quantity	Revised Quantity	Proposal Total
624.0100	Water	MGAL	280	-277	3
646.0106	Pavement Marking Epoxy 4-Inch	LF	21,245	-4,220	17,025
646.0406	Pavement Marking Same Day Epoxy 4-Inch	LF	16,520	-12,300	4,220
649.0403	Temporary Pavement Marking Epoxy 4-Inch	LF	27,000	-6,700	20,300

Plan Sheets:

Revised Plan Sheets	
Plan Sheet	Plan Sheet Title (brief description of changes to sheet)
5	Revised Safety Edge on Proposed Typical Section Details
14	Revised Miscellaneous Quantities and Comments
15	Revised Miscellaneous Quantities Comments
16	Revised Miscellaneous Quantities

Schedule of Items

Attached, dated May 3, 2017, are the revised Schedule of Items Pages 1 – 4.

Plan Sheets

The following 8½ x 11-inch sheets are attached and made part of the plans for this proposal:

Revised: 5 and 14 – 16.

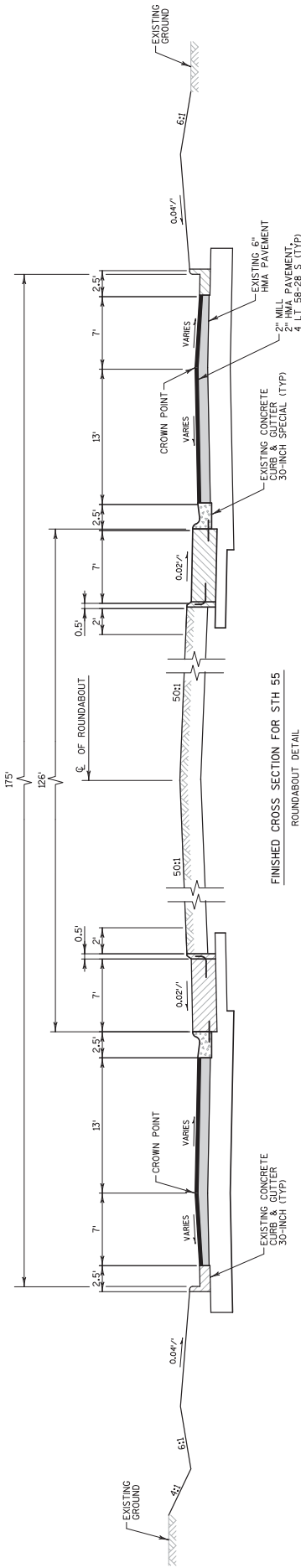
The responsibility for notifying potential subcontractors and suppliers of these changes remains with the prime contractor.

Sincerely,

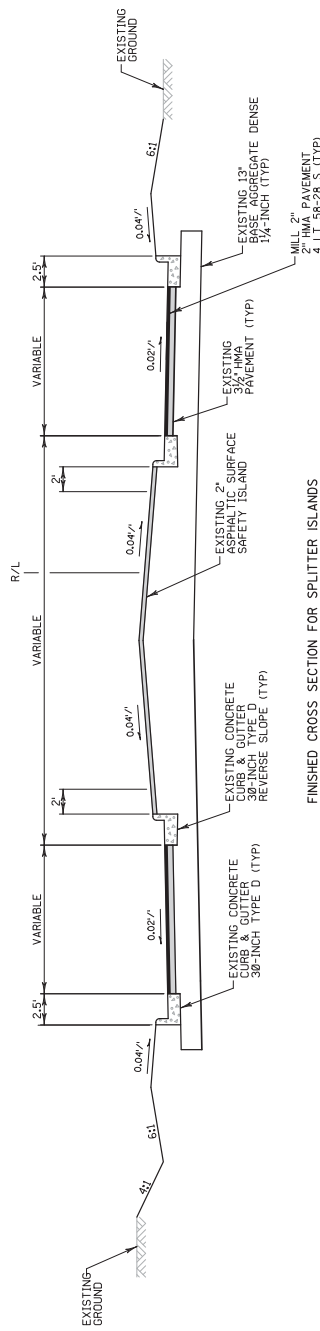
Mike Coleman

Proposal Development Specialist
Proposal Management Section

END OF ADDENDUM

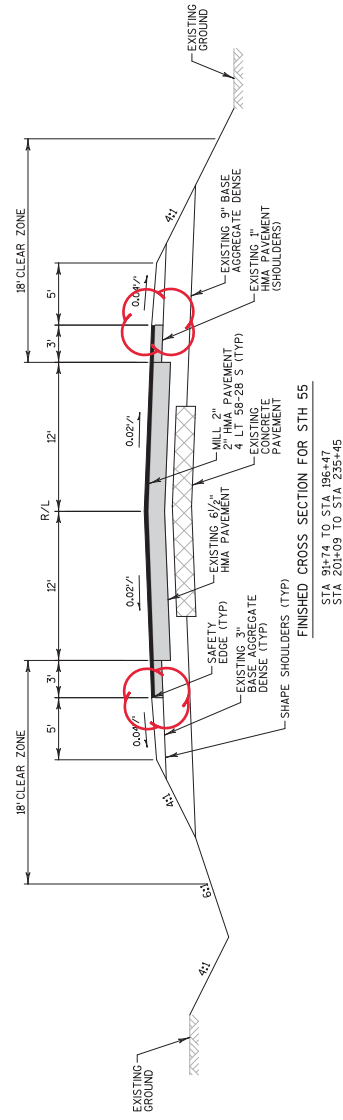


FINISHED CROSS SECTION FOR STH 55
ROUNDABOUT DETAIL



FINISHED CROSS SECTION FOR SPLITTER ISLANDS

STH 55
STA 196+47 TO STA 198+30
STA 200+01 TO STA 201+09
CTH KK
STA 158+52 TO STA 160+37
STA 162+63 TO STA 163+01



FINISHED CROSS SECTION FOR STH 55

STA 94+74 TO STA 95+47
STA 201+09 TO STA 235+45

Addendum No. 01
ID 4670-12-60
Revised Sheet 5
May 3, 2017

REMOVING ASPHALTIC SURFACE BUTT JOINTS

STATION - STATION	LOCATION	COMMENTS
204.0115	690.0150*	
REMOVING ASPHALTIC SURFACE BUTT JOINTS	SAWING ASPHALT	
SY	LF	
91+74	STH 55	MAINLINE SOUTH LIMIT
106+81	108+30	MANITOWOC RD
132+23	133+71	SCHMIDT RD
158+86	160+20	HIGH LINE ROAD
170+30	171+50	FRIENDSHIP DR
230+52	231+88	RIDGECREST LN
235+45	STH 55	MAINLINE NORTH LIMIT
159+50	CTH KK	CTH KK WEST LIMIT
163+00	CTH KK	CTH KK EAST LIMIT
TOTAL	71	322

*Saw cuts are not necessary if vertical face shown on the butt joint construction detail is established.

PREPARE FOUNDATION FOR ASPHALTIC PAVING

STATION TO STATION	LOCATION	LS	COMMENTS
211.0100	211.0100		
PREPARE FOUNDATION FOR ASPHALTIC PAVING	4670-12-60		
91+74	235+45	STH 55	1
			MAINLINE AND INTERSECTIONS
TOTAL			1

FINISHING ROADWAY

PROJECT	213.0100
FINISHING ROADWAY EACH	
4670-12-60	1
TOTAL	1

ROUNDABOUT DRAINAGE

STATION	LOCATION	EACH	LF	LF	LF	LF	LF	LF	LF	COMMENTS
611.0652	SP.V.0090.01	CONCRETE CURB & GUTTER	30-INCH	SP.V.0090.02	CONCRETE CURB & GUTTER	30-INCH TYPE D	HES	LF		
159+85	CTH KK	--	10							
160+56	CTH KK	1	10							
161+80	CTH KK	1	10							
TOTAL		2	20	10	30	3	3	3	15	

ROADWAY SHOULDERS

STATION - STATION	LOCATION	SHAPE	TON	MGAL	COMMENTS
305.0500	305.0110	624.0100			
SHOULDERS	BASE AGGREGATE	WATER			
91+74	192+92	RT	STH 55	102	
91+74	195+28	LT	STH 55	104	
202+78	229+00	RT	STH 55	26	
204+28	235+45	LT	STH 55	31	
UNDISTRIBUTED				36	
TOTAL				263	

Addendum No. 01
ID 4670-12-60
Revised Sheet 14
May 3, 2017

PROJECT NO: 4670-12-60

HWY: STH 55

COUNTY: CALUMET

MISCELLANEOUS QUANTITIES

SHEET NO: 14

E

FILE NAME : ch_46701230_030100_mq_jpt

PLOT BY :

PLOT NAME :

ORIG DATE : Aug. 2016

ORIGINATOR :

PLOT SCALE : 1:1

PAVEMENT MARKING

STATION - STATION	LF	LF	LF	LF	LF	LF	LF	LF	LF	LF	LF	LF	LF
91+74 - 193+15	--	12,300	--	19,530	200	20,300	20,300	20,300	20,300	--	--	--	--
ROUNDABOUT	2,065	2,660	250	--	--	--	--	--	--	40	40	125	125
201+95 - 235+45	--	--	--	6,640	--	6,700	6,700	--	--	--	--	--	--
SUBTOTAL	2,065	14,960	250	26,170	200	27,000	20,300	20,300	40	40	125	125	125
TOTAL	17,025	17,025	90	4,220	200	27,000	20,300	20,300	40	40	125	125	125

* NOTE: PAVEMENT MARKING EPOXY 4-INCH FOR FINAL APPLICATION AFTER CENTER LINE RUMBLE STRIPS PLACED
 ** NOTE: TEMPORARY PAVEMENT MARKING PAINT 4-INCH APPLIED TO MILLED SURFACE
 *** NOTE: TEMPORARY PAVEMENT MARKING EPOXY 4-INCH APPLIED TO FINAL SURFACE BEFORE CENTER LINE RUMBLE STRIPS PLACED

TEMPORARY PORTABLE RUMBLE STRIPS

LOCATION	LS	COMMENTS
STH 55	1	
TOTAL	1	

LOCATING NO-PASSING ZONES

STATION - STATION	LOCATION	MI	COMMENTS
91+74	235+45	STH 55	MAINLINE
TOTAL		2.6	

STAKING

STATION - STATION	LOCATION	LF	COMMENTS
91+74	235+45	STH 55	MAINLINE
TOTAL		14,400	

Addendum No. 01
 ID 4670-12-60
 Revised Sheet 16
 May 3, 2017



Proposal Schedule of Items

Proposal ID: 20170509022 Project(s): 4670-12-60

Federal ID(s): N/A

SECTION: 0001

Contract Items

Alt Set ID:

Alt Mbr ID:

Proposal Line Number	Item ID Description	Approximate Quantity and Units	Unit Price	Bid Amount
0010	204.0115 Removing Asphaltic Surface Butt Joints	71.000 SY	_____.	_____.
0020	204.0120 Removing Asphaltic Surface Milling	54,600.000 SY	_____.	_____.
0030	204.0150 Removing Curb & Gutter	30.000 LF	_____.	_____.
0040	211.0100 Prepare Foundation for Asphaltic Paving (project) 01. 4670-12-60	LS	LUMP SUM	_____.
0050	213.0100 Finishing Roadway (project) 01. 4670-12-60	1.000 EACH	_____.	_____.
0060	305.0110 Base Aggregate Dense 3/4-Inch	3,050.000 TON	_____.	_____.
0070	305.0500 Shaping Shoulders	263.000 STA	_____.	_____.
0080	440.4410 Incentive IRI Ride	7,130.000 DOL	1.00000	7,130.00
0090	455.0605 Tack Coat	1,365.000 GAL	_____.	_____.
0100	460.2000 Incentive Density HMA Pavement	3,240.000 DOL	1.00000	3,240.00
0110	460.4110.S Reheating HMA Pavement Longitudinal Joints	13,950.000 LF	_____.	_____.
0120	460.5224 HMA Pavement 4 LT 58-28 S	6,280.000 TON	_____.	_____.
0130	465.0110 Asphaltic Surface Patching	50.000 TON	_____.	_____.
0140	465.0475 Asphalt Center Line Rumble Strips 2-Lane Rural	9,670.000 LF	_____.	_____.
0150	611.0652 Inlet Covers Type T	2.000 EACH	_____.	_____.
0160	619.1000 Mobilization	1.000 EACH	_____.	_____.



Proposal Schedule of Items

Proposal ID: 20170509022 Project(s): 4670-12-60

Federal ID(s): N/A

SECTION: 0001

Contract Items

Alt Set ID:

Alt Mbr ID:

Proposal Line Number	Item ID Description	Approximate Quantity and Units	Unit Price	Bid Amount
0170	624.0100 Water	3.000 MGAL	_____.	_____.
0180	628.7015 Inlet Protection Type C	3.000 EACH	_____.	_____.
0190	634.0614 Posts Wood 4x6-Inch X 14-FT	29.000 EACH	_____.	_____.
0200	634.0616 Posts Wood 4x6-Inch X 16-FT	40.000 EACH	_____.	_____.
0210	637.2210 Signs Type II Reflective H	412.760 SF	_____.	_____.
0220	637.2230 Signs Type II Reflective F	133.000 SF	_____.	_____.
0230	638.2602 Removing Signs Type II	60.000 EACH	_____.	_____.
0240	638.3000 Removing Small Sign Supports	64.000 EACH	_____.	_____.
0250	642.5001 Field Office Type B	1.000 EACH	_____.	_____.
0260	643.0100 Traffic Control (project) 01. 4670-12-60	1.000 EACH	_____.	_____.
0270	643.0300 Traffic Control Drums	425.000 DAY	_____.	_____.
0280	643.0310.S Temporary Portable Rumble Strips	1.000 LS	_____.	_____.
0290	643.0420 Traffic Control Barricades Type III	22.000 DAY	_____.	_____.
0300	643.0705 Traffic Control Warning Lights Type A	44.000 DAY	_____.	_____.
0310	643.0800 Traffic Control Arrow Boards	16.000 DAY	_____.	_____.
0320	643.0900 Traffic Control Signs	700.000 DAY	_____.	_____.
0330	643.0910 Traffic Control Covering Signs Type I	4.000 EACH	_____.	_____.



Proposal Schedule of Items

Proposal ID: 20170509022 Project(s): 4670-12-60

Federal ID(s): N/A

SECTION: 0001

Contract Items

Alt Set ID:

Alt Mbr ID:

Proposal Line Number	Item ID Description	Approximate Quantity and Units	Unit Price	Bid Amount
0340	643.0920 Traffic Control Covering Signs Type II	22.000 EACH	_____.	_____.
0350	643.1050 Traffic Control Signs PCMS	62.000 DAY	_____.	_____.
0360	643.2000 Traffic Control Detour (project) 01. 4670-12-60	1.000 EACH	_____.	_____.
0370	643.3000 Traffic Control Detour Signs	750.000 DAY	_____.	_____.
0380	646.0106 Pavement Marking Epoxy 4-Inch	17,025.000 LF	_____.	_____.
0390	646.0126 Pavement Marking Epoxy 8-Inch	250.000 LF	_____.	_____.
0400	646.0156 Pavement Marking Epoxy 18-Inch	90.000 LF	_____.	_____.
0410	646.0406 Pavement Marking Same Day Epoxy 4-Inch	4,220.000 LF	_____.	_____.
0420	646.2304.S Pavement Marking Grooved Wet Reflective Epoxy 4-Inch	26,170.000 LF	_____.	_____.
0430	646.2308.S Pavement Marking Grooved Wet Reflective Epoxy 8-Inch	200.000 LF	_____.	_____.
0440	647.0726 Pavement Marking Diagonal Epoxy 12-Inch	165.000 LF	_____.	_____.
0450	648.0100 Locating No-Passing Zones	2.600 MI	_____.	_____.
0460	649.0402 Temporary Pavement Marking Paint 4-Inch	27,000.000 LF	_____.	_____.
0470	649.0403 Temporary Pavement Marking Epoxy 4-Inch	20,300.000 LF	_____.	_____.
0480	650.8000 Construction Staking Resurfacing Reference	14,400.000 LF	_____.	_____.



Proposal Schedule of Items

Proposal ID: 20170509022 Project(s): 4670-12-60

Federal ID(s): N/A

SECTION: 0001

Contract Items

Alt Set ID:

Alt Mbr ID:

Proposal Line Number	Item ID Description	Approximate Quantity and Units	Unit Price	Bid Amount
0490	690.0150 Sawing Asphalt	322.000 LF	_____.	_____.
0500	690.0250 Sawing Concrete	15.000 LF	_____.	_____.
0510	SPV.0060 Special 01. Adjusting Inlet Covers with Rubber Rings	3.000 EACH	_____.	_____.
0520	SPV.0090 Special 01. Concrete Curb and Gutter 30-Inch Special HES	20.000 LF	_____.	_____.
0530	SPV.0090 Special 02. Concrete Curb and Gutter 30-Inch Type D HES	10.000 LF	_____.	_____.
Section: 0001			Total:	_____.
			Total Bid:	_____.